



US00D658313S

(12) **United States Design Patent**
Tsai

(10) **Patent No.:** **US D658,313 S**

(45) **Date of Patent:** **** Apr. 24, 2012**

(54) **LED BULB**

(75) **Inventor:** **Chang Ching Tsai**, Orlando, FL (US)

(73) **Assignee:** **Chang Ching Tsai**

(**) **Term:** **14 Years**

(21) **Appl. No.:** **29/394,268**

(22) **Filed:** **Jun. 15, 2011**

(51) **LOC (9) Cl.** **26-04**

(52) **U.S. Cl.** **D26/2**

(58) **Field of Classification Search** D26/1-4;
313/313, 315, 316, 317, 318, 493; 315/52,
315/53, 56, 57, 58

See application file for complete search history.

(56) **References Cited**

U.S. PATENT DOCUMENTS

D544,109 S * 6/2007 Tsuruha et al. D26/2
D558,904 S * 1/2008 Tsuruha et al. D26/2

D579,130 S * 10/2008 Hernandez et al. D26/2
D600,368 S * 9/2009 Bertram et al. D26/2
D610,273 S * 2/2010 Guo et al. D26/2

* cited by examiner

Primary Examiner — Marcus Jackson

(57) **CLAIM**

The ornamental design for a LED bulb, as shown.

DESCRIPTION

FIG. 1 is a perspective view of a LED bulb showing my new design;

FIG. 2 is a front elevational view thereof;

FIG. 3 is a rear elevational view thereof;

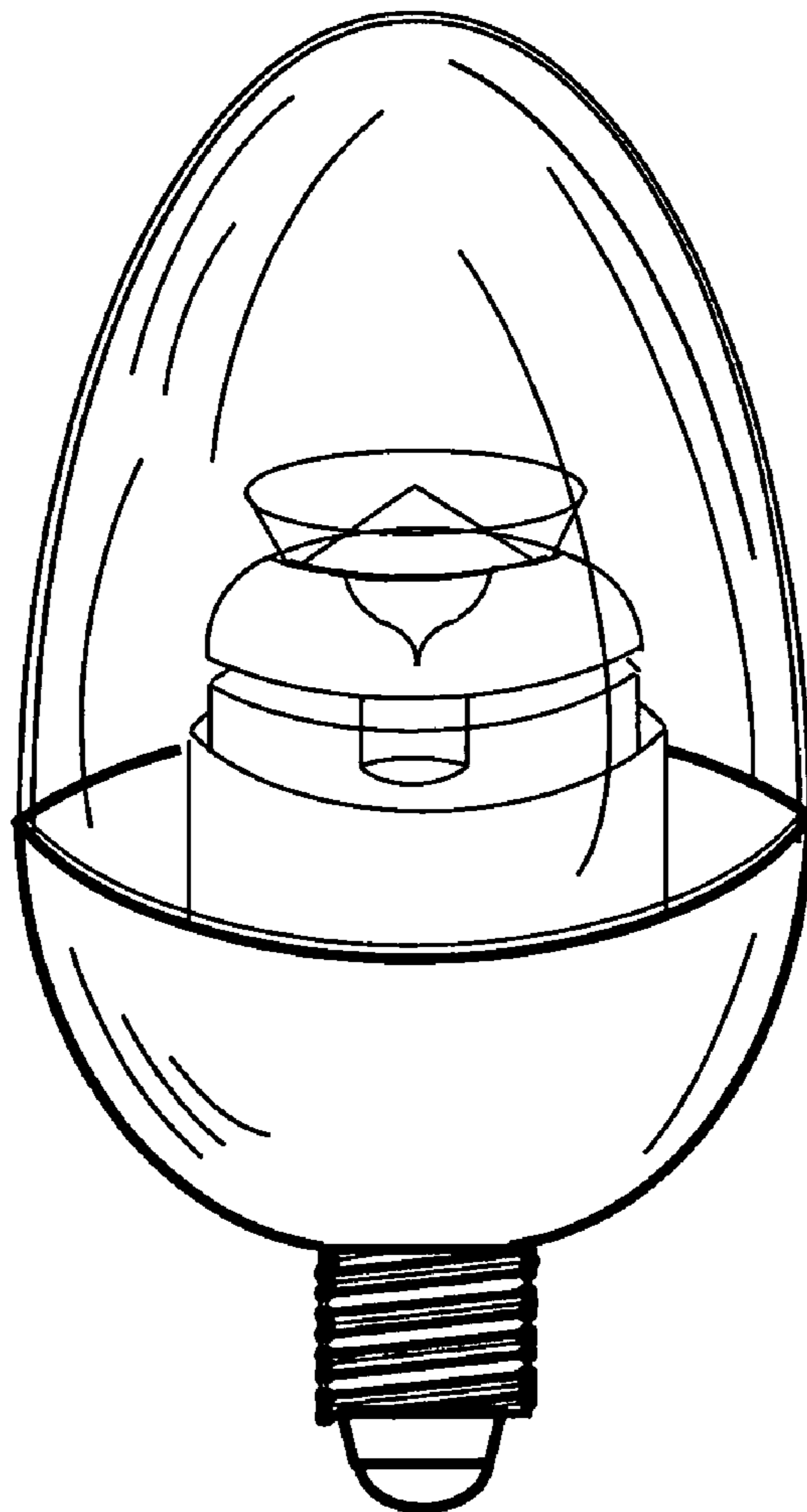
FIG. 4 is a right side elevational view thereof;

FIG. 5 is a left side elevational view thereof;

FIG. 6 is a top plan view thereof; and,

FIG. 7 is a bottom plan view thereof.

1 Claim, 7 Drawing Sheets



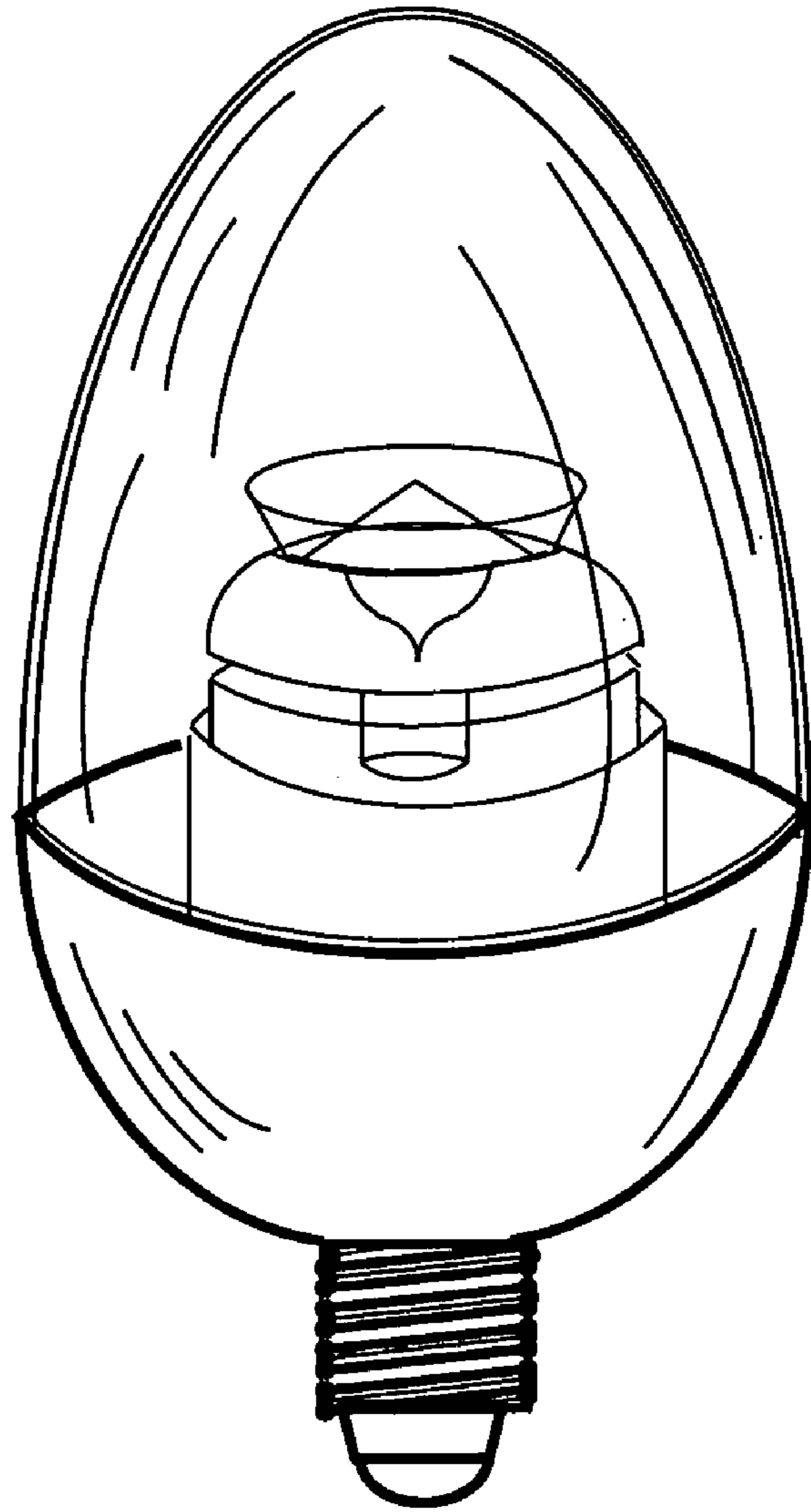


FIG 1

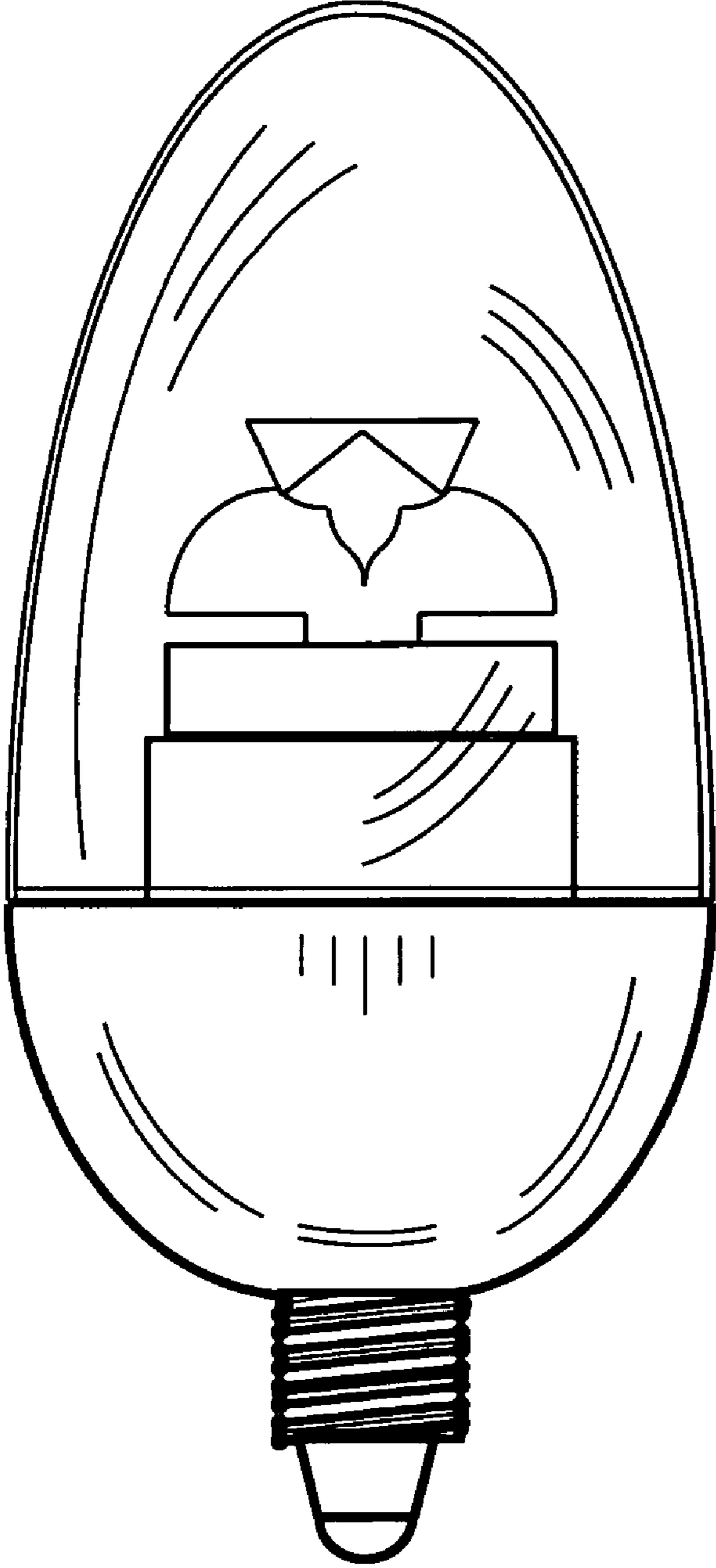


FIG 2

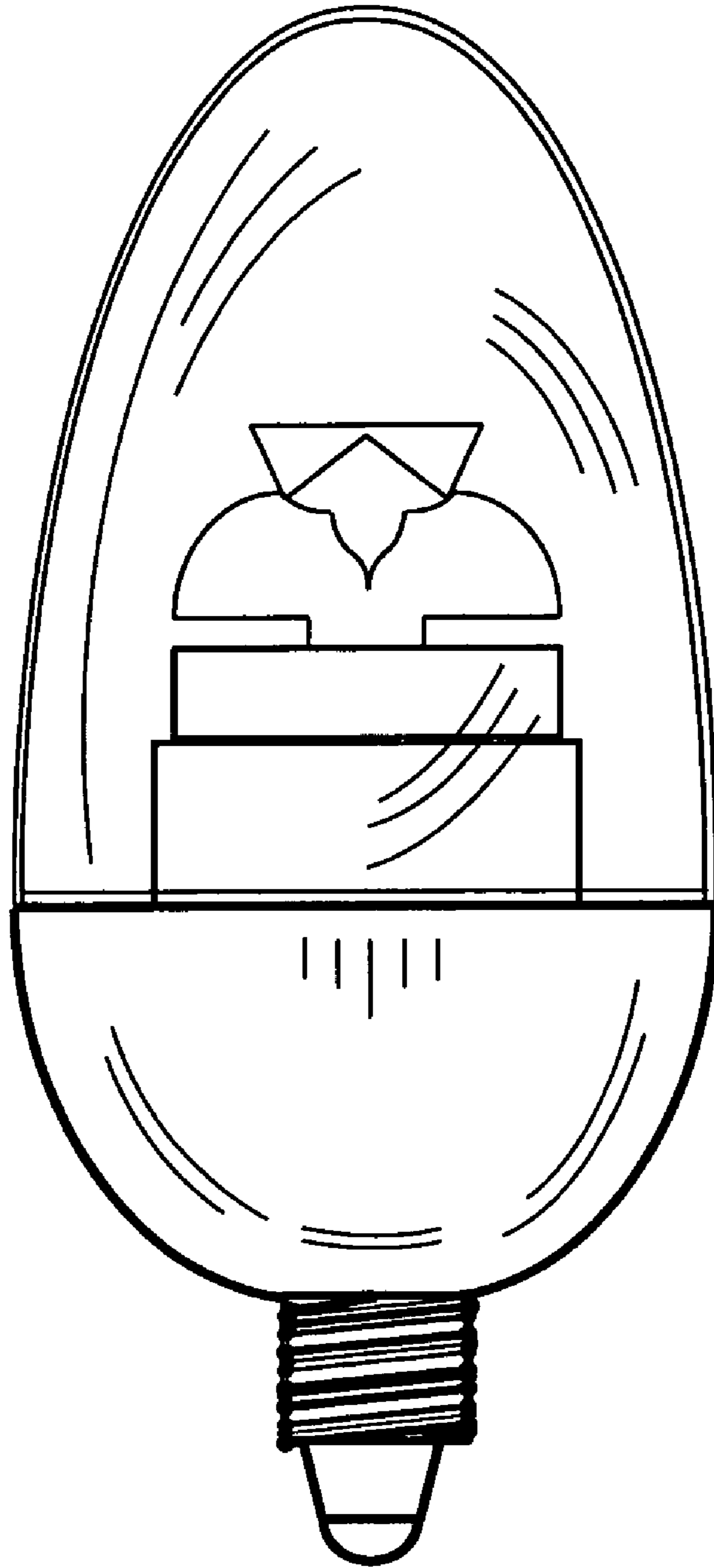


FIG 3

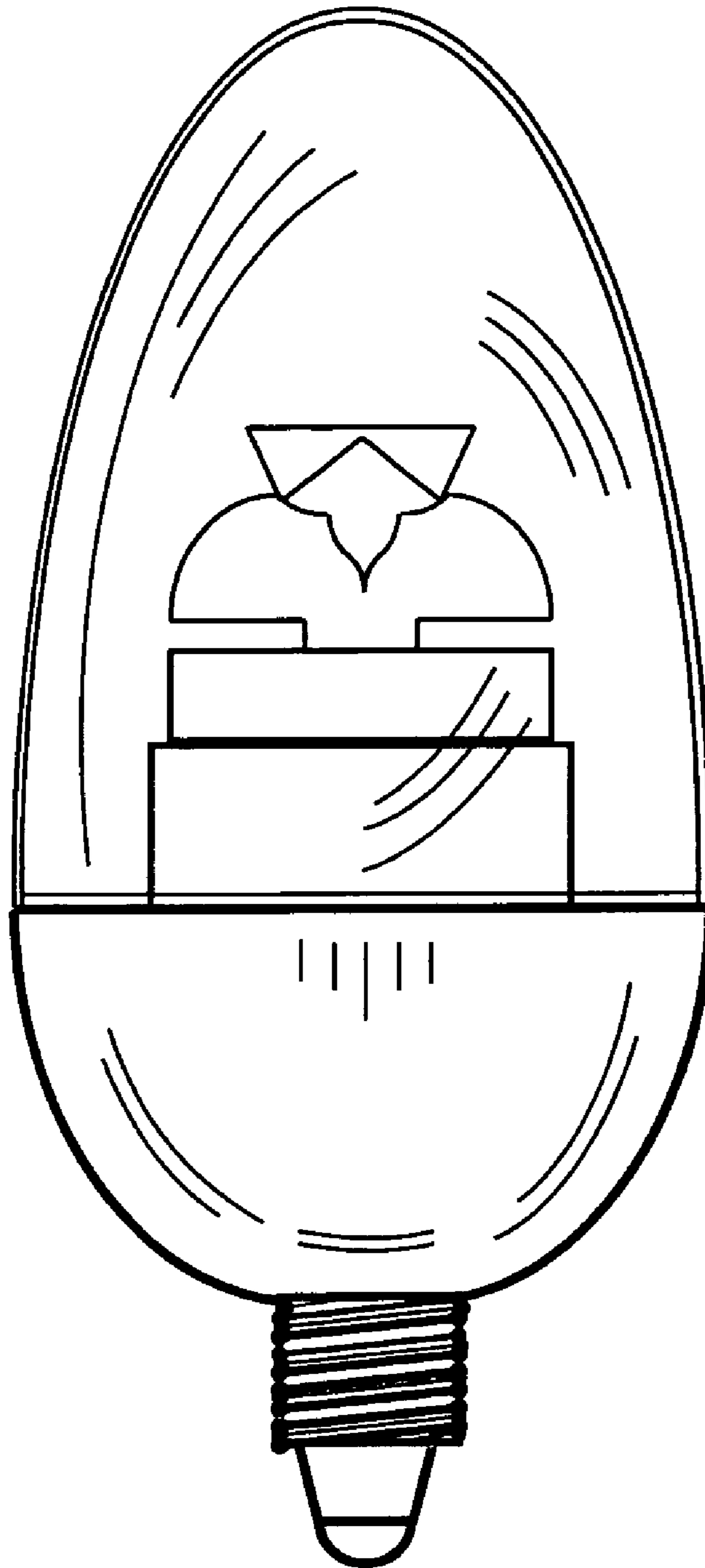


FIG 4

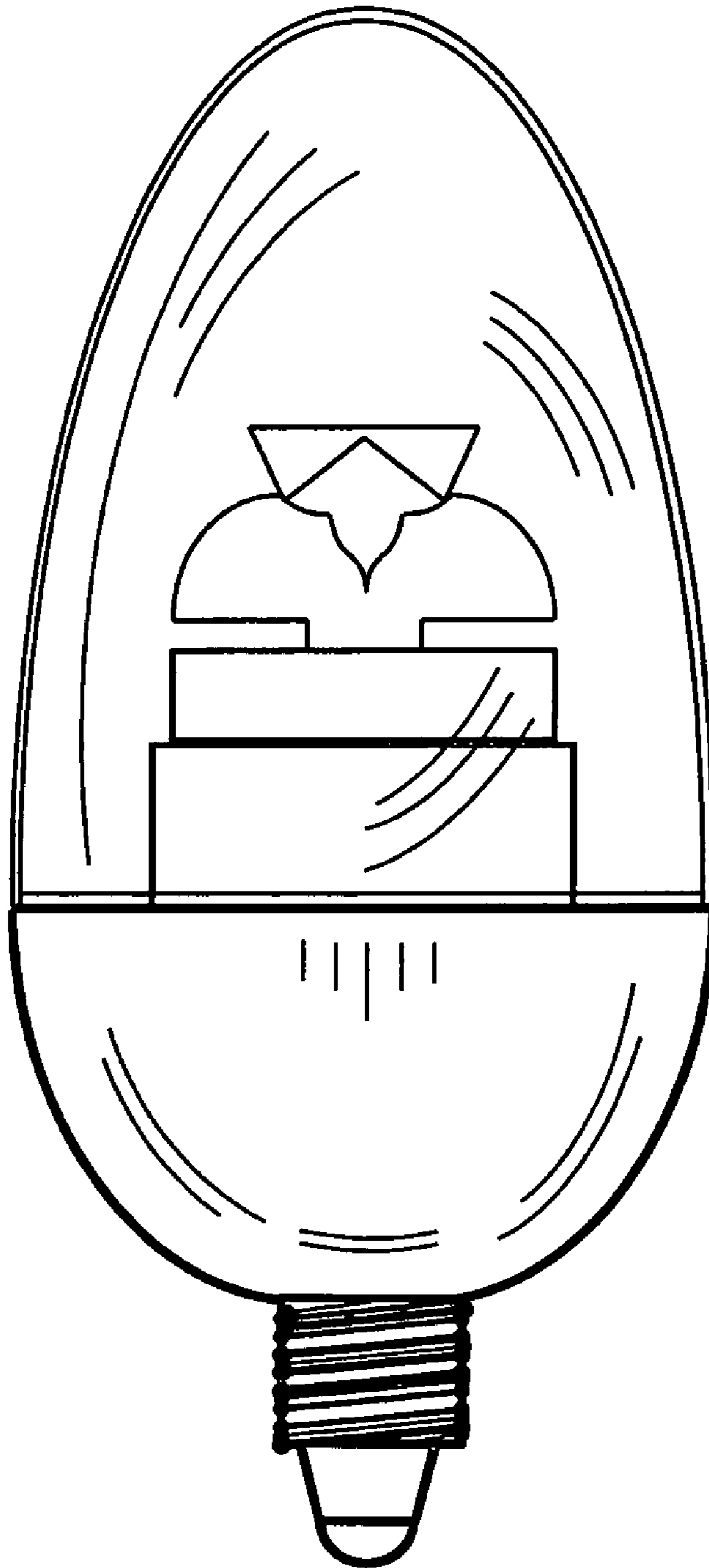


FIG 5

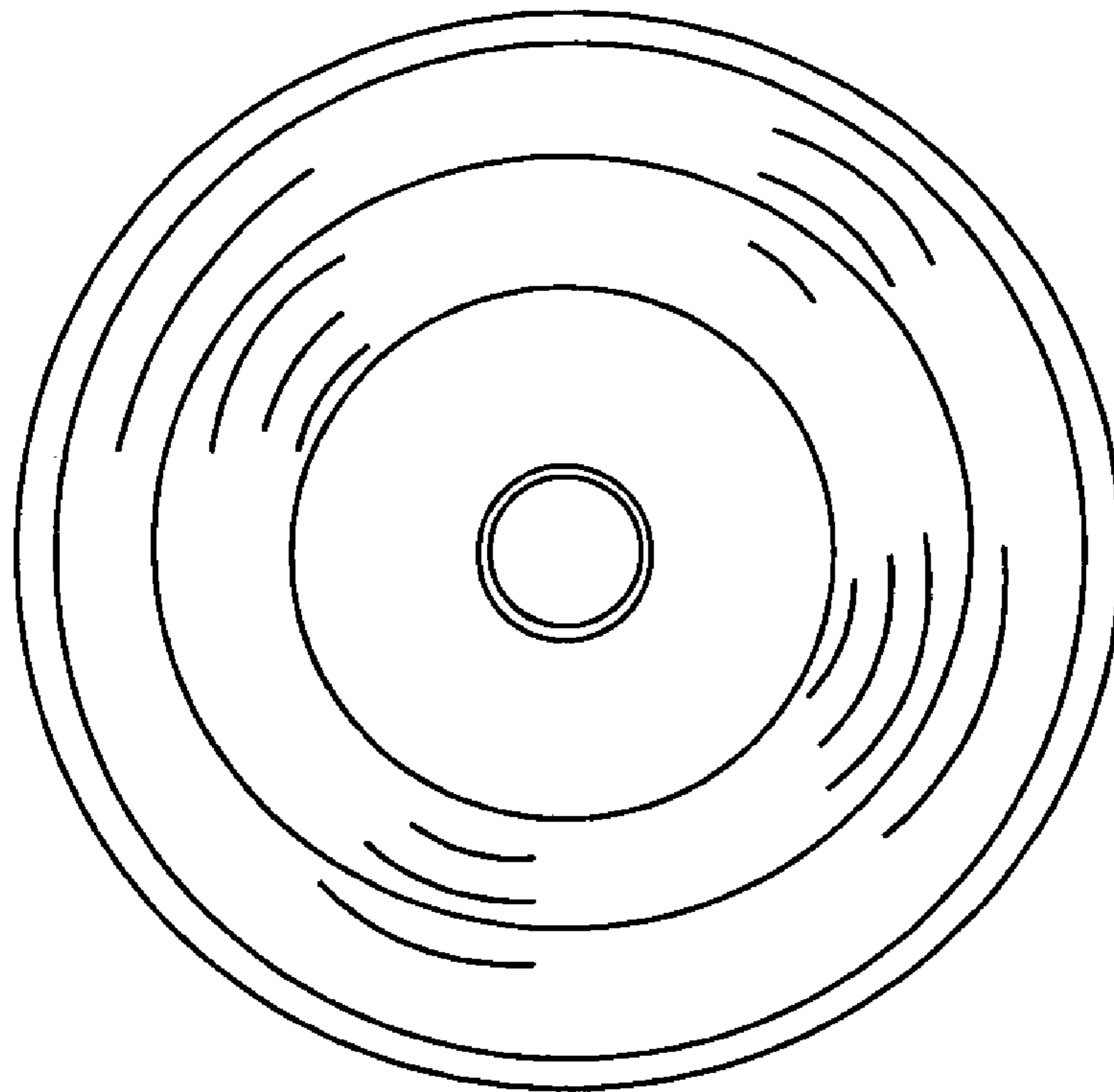


FIG 6

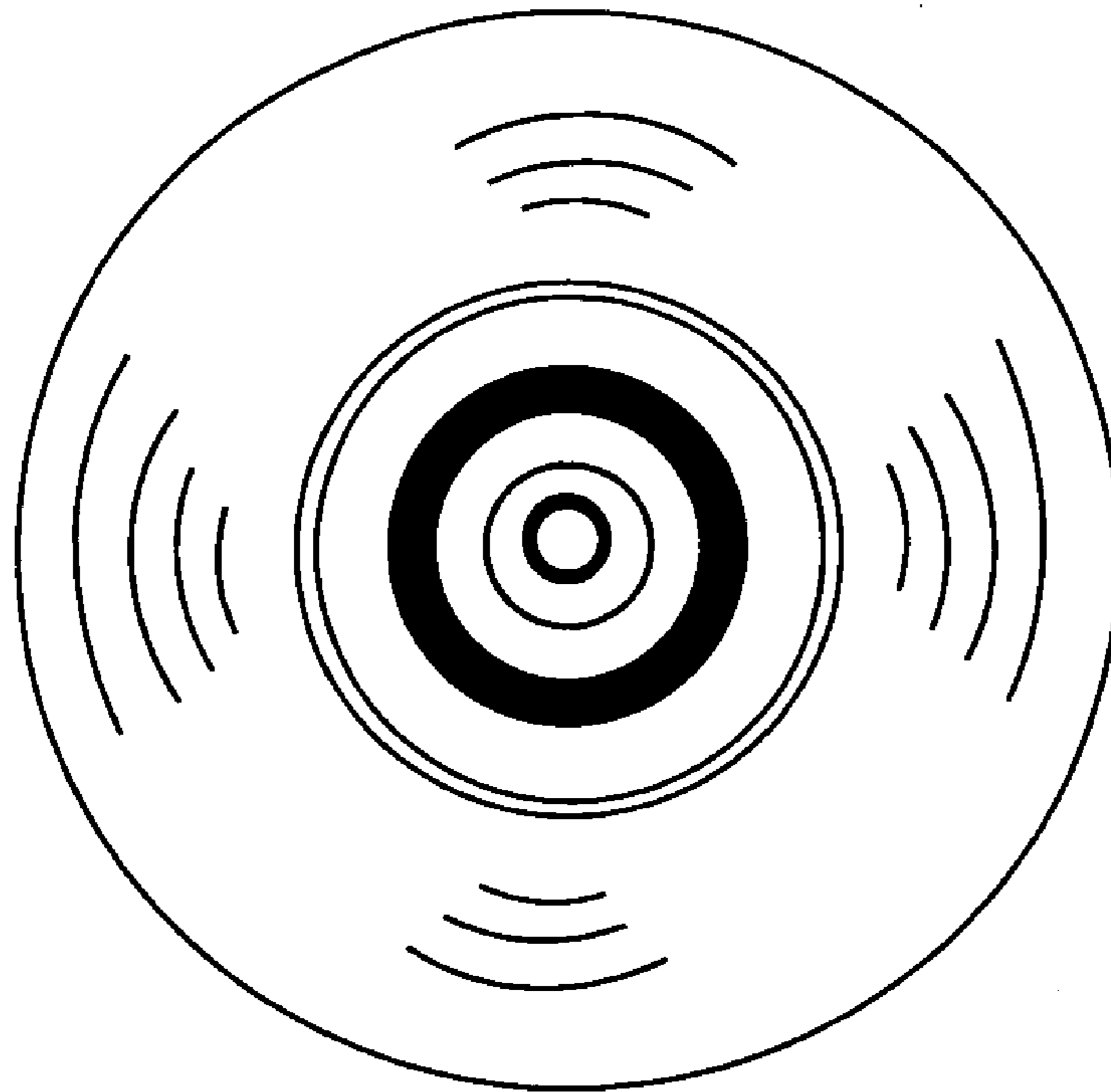


FIG 7