



US00D658312S

(12) **United States Design Patent**
Togawa

(10) **Patent No.:** **US D658,312 S**
(45) **Date of Patent:** **** Apr. 24, 2012**

(54) **LIGHT EMITTING DIODE LAMP**

(75) Inventor: **Takuzo Togawa**, Kyoto (JP)

(73) Assignee: **CCS Inc.**, Kyoto-shi (JP)

(**) Term: **14 Years**

(21) Appl. No.: **29/388,235**

(22) Filed: **Mar. 25, 2011**

(30) **Foreign Application Priority Data**

Sep. 28, 2010 (JP) 2010-023239
Sep. 28, 2010 (JP) 2010-023240
Oct. 13, 2010 (JP) 2010-024439

(51) **LOC (9) Cl.** **26-04**

(52) **U.S. Cl.** **D26/2**

(58) **Field of Classification Search** D26/1-4;
313/313, 315, 316, 317, 318; 315/52, 53,
315/56, 57, 58

See application file for complete search history.

(56) **References Cited**

U.S. PATENT DOCUMENTS

D553,267 S * 10/2007 Yuen D26/2
D590,523 S * 4/2009 Takahashi D26/2
D600,368 S * 9/2009 Bertram et al. D26/2
D605,786 S * 12/2009 Lim D26/2
D623,774 S * 9/2010 Tsai D26/2

* cited by examiner

Primary Examiner — Marcus Jackson

(74) *Attorney, Agent, or Firm* — Alleman Hall McCoy
Russell & Tuttle LLP

(57) **CLAIM**

The ornamental design for a light emitting diode lamp, as shown and described.

DESCRIPTION

FIG. 1 is a front elevational view of a first embodiment of a light emitting diode lamp;

FIG. 2 is a rear elevational view of the first embodiment of FIG. 1;

FIG. 3 is a right side elevational view of the first embodiment of FIG. 1;

FIG. 4 is a left side elevational view of the first embodiment of FIG. 1;

FIG. 5 is a top plan view of the first embodiment of FIG. 1;

FIG. 6 is a bottom plan view of the first embodiment of FIG. 1;

FIG. 7 is a perspective view from below, of the first embodiment of FIG. 1;

FIG. 8 is a perspective view from above, of the first embodiment of FIG. 1;

FIG. 9 is a cross sectional view taken along line 9-9 of FIG. 1 of the first embodiment, with interior construction details not shown;

FIG. 10 is a cross sectional view taken along line 10-10 of FIG. 1 of the first embodiment, with interior construction details not shown;

FIG. 11 is a front elevational view of a second embodiment of a light emitting diode lamp;

FIG. 12 is a rear elevational view of the second embodiment of FIG. 11;

FIG. 13 is a right side elevational view of the second embodiment of FIG. 11;

FIG. 14 is a left side elevational view of the second embodiment of FIG. 11;

FIG. 15 is a top plan view of the second embodiment of FIG. 11;

FIG. 16 is a bottom plan view of the second embodiment of FIG. 11;

FIG. 17 is a perspective view from below, of the second embodiment of FIG. 11;

FIG. 18 is a perspective view from above, of the second embodiment of FIG. 11;

FIG. 19 is a cross sectional view taken along line 19-19 of FIG. 11 of the second embodiment, with interior construction details not shown;

FIG. 20 is a cross sectional view taken along line 20-20 of FIG. 11 of the second embodiment, with interior construction details not shown;

FIG. 21 is a front elevational view of a third embodiment of a light emitting diode lamp;

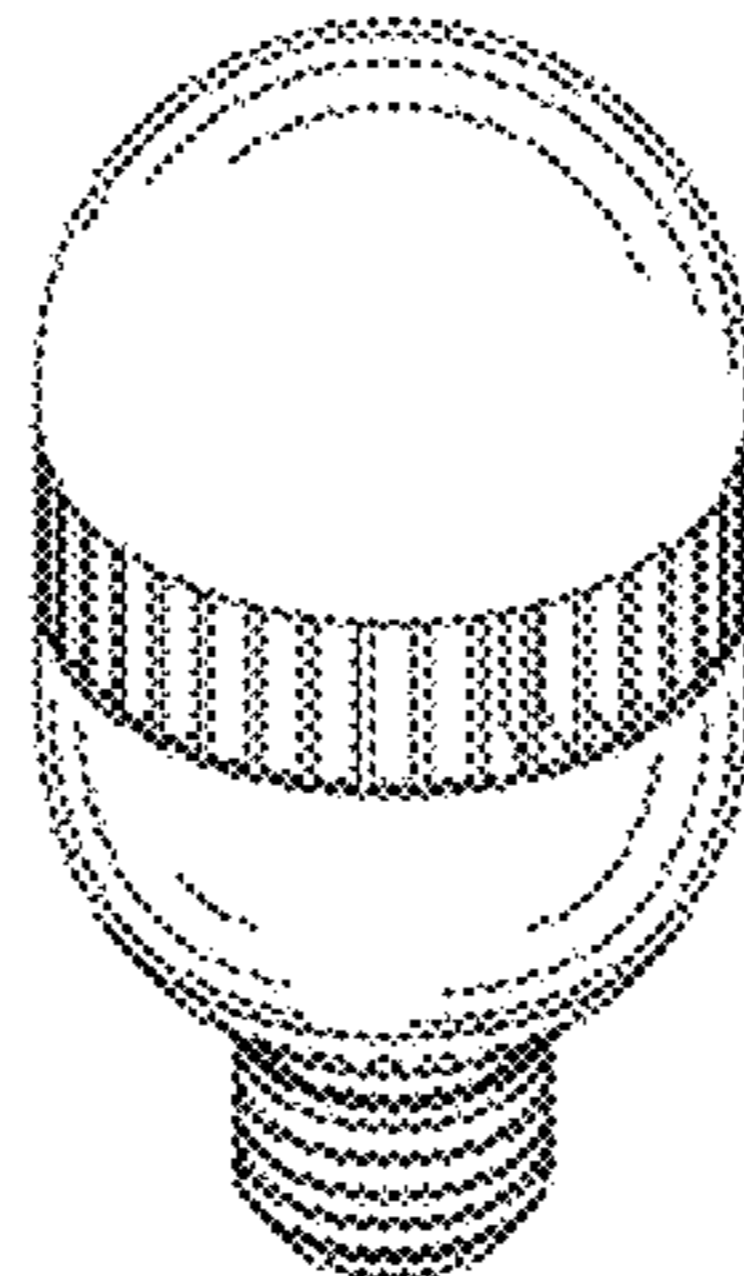


FIG. **22** is a rear elevational view of the third embodiment of FIG. **21**;

FIG. **23** is a right side elevational view of the third embodiment of FIG. **21**;

FIG. **24** is a left side elevational view of the third embodiment of FIG. **21**;

FIG. **25** is a top plan view of the third embodiment of FIG. **21**;

FIG. **26** is a bottom plan view of the third embodiment of FIG. **21**;

FIG. **27** is a perspective view from below, of the third embodiment of FIG. **21**;

FIG. **28** is a perspective view from above, of the third embodiment of FIG. **21**;

FIG. **29** is a cross sectional view taken along line **29-29** of FIG. **21** of the third embodiment, with interior construction details not shown; and,

FIG. **30** is a cross sectional view taken along line **30-30** of FIG. **21** of the third embodiment, with interior construction details not shown.

1 Claim, 9 Drawing Sheets

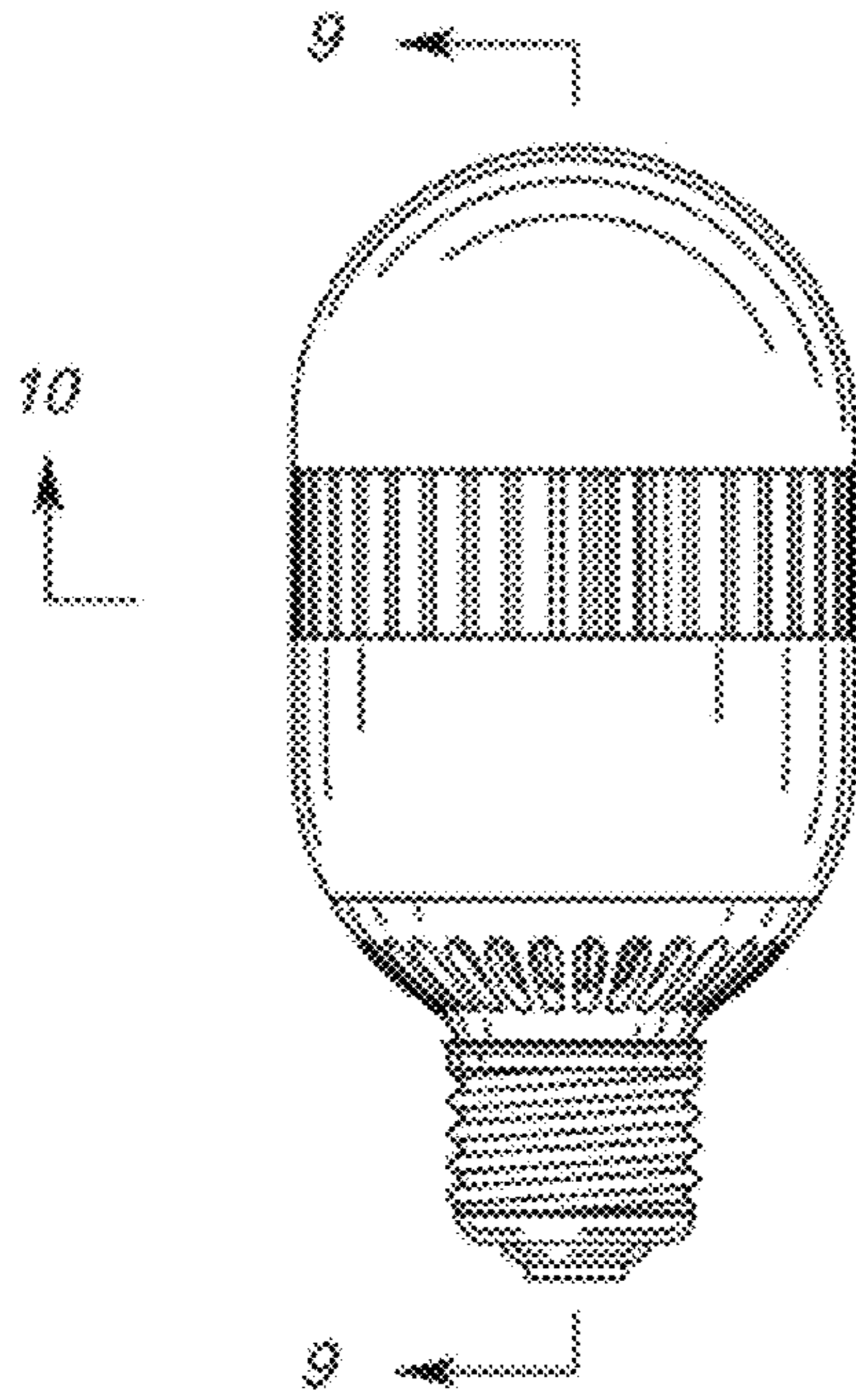


FIG. 1

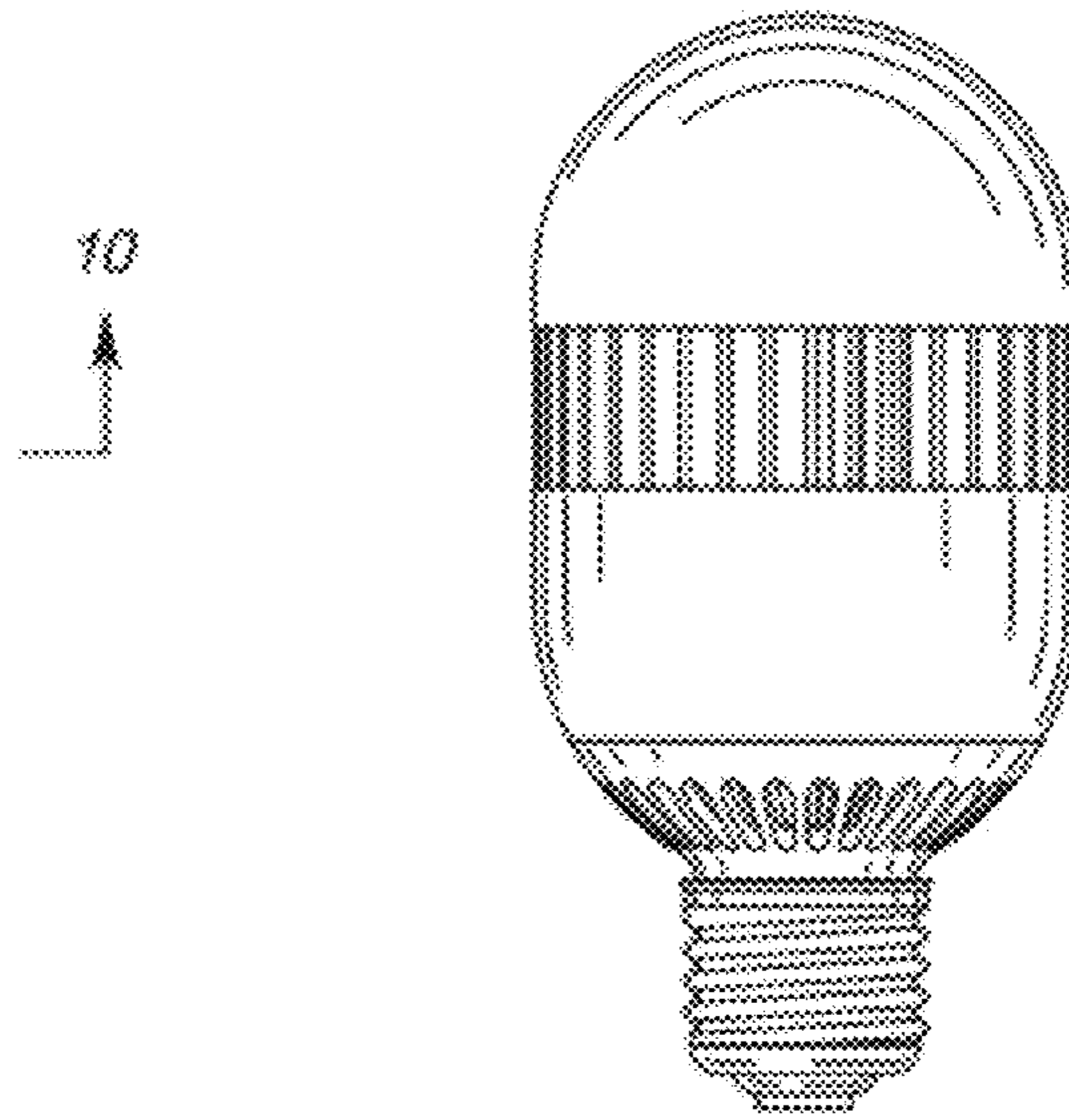


FIG. 2

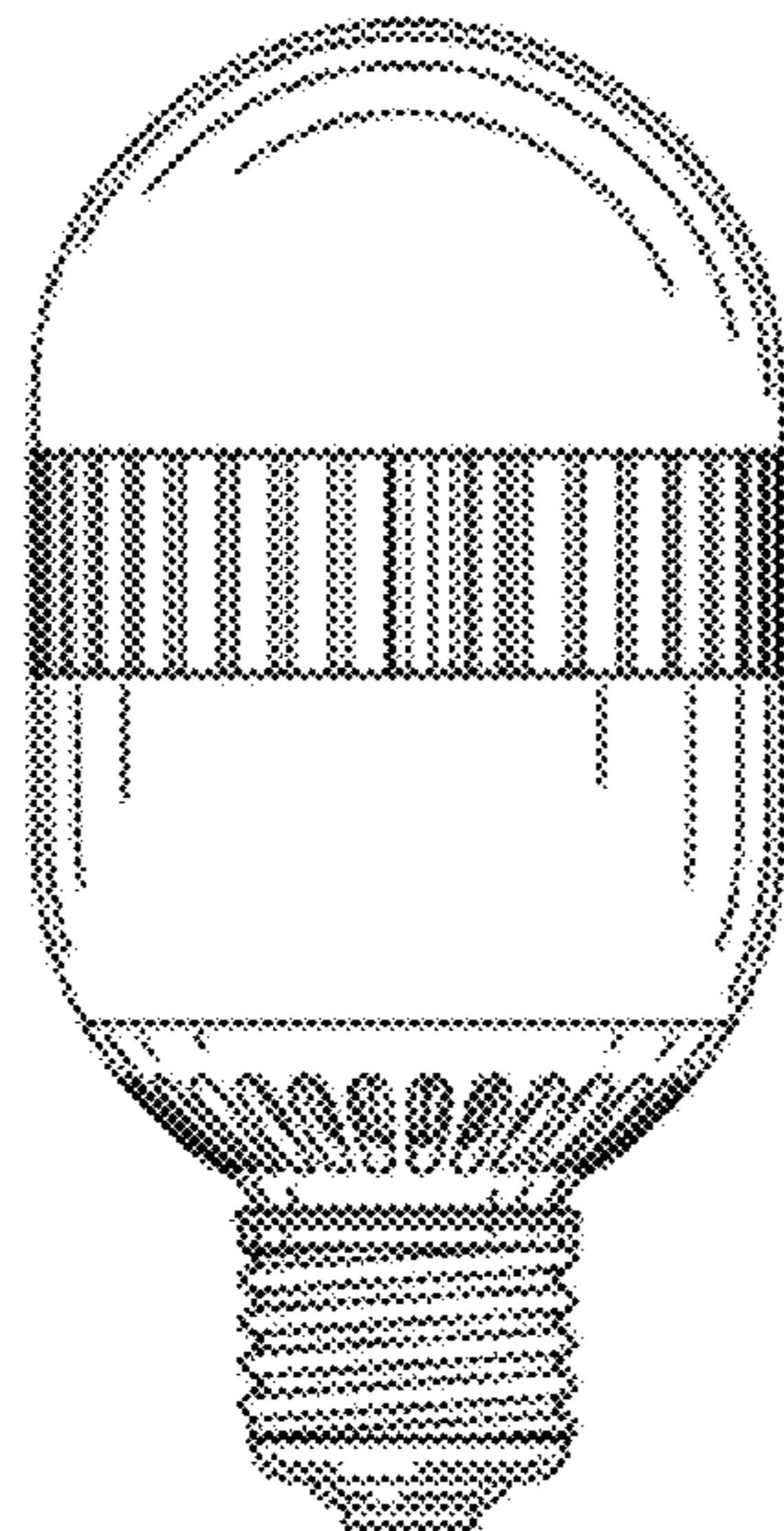


FIG. 3

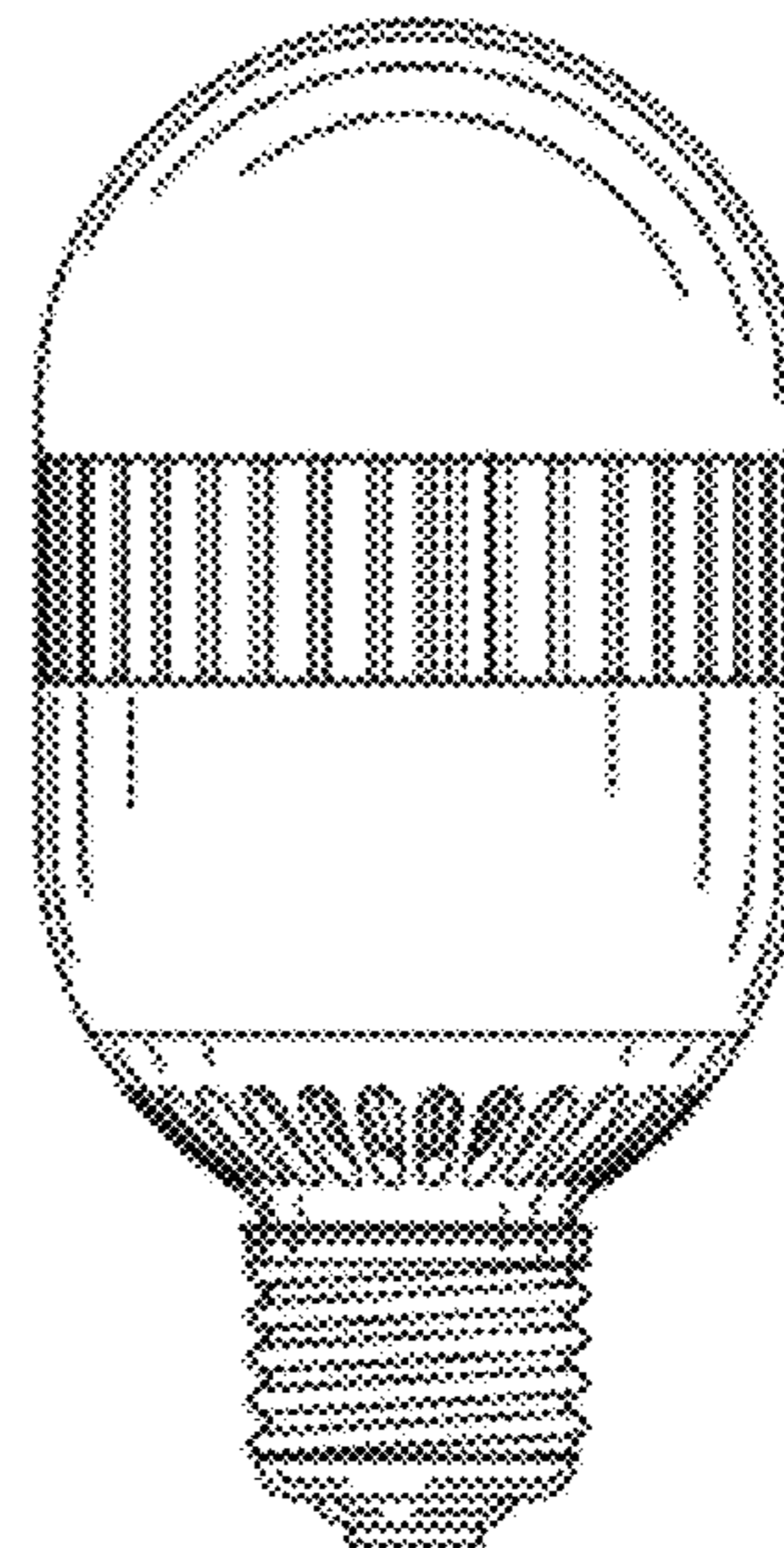


FIG. 4

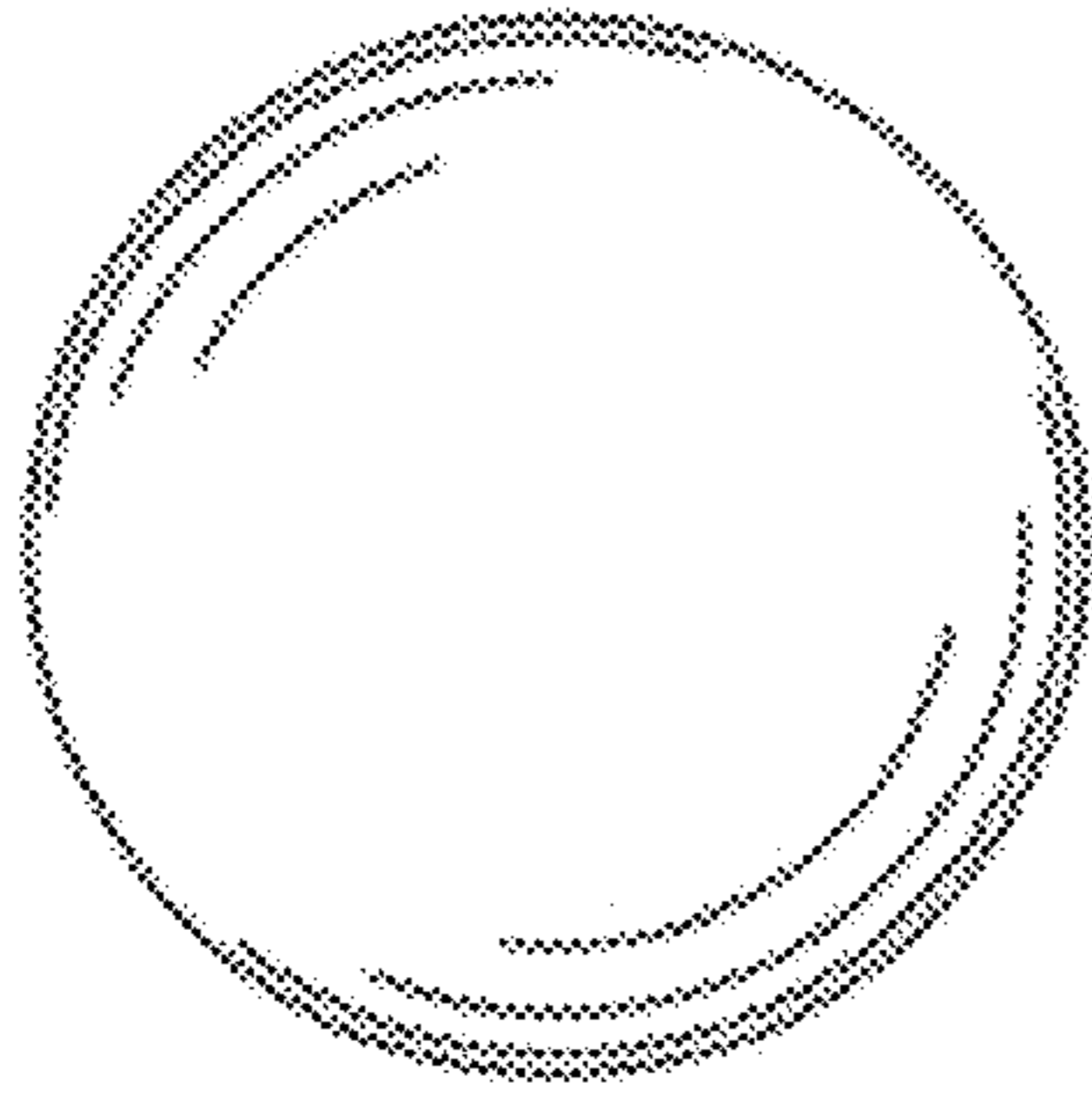


FIG. 5

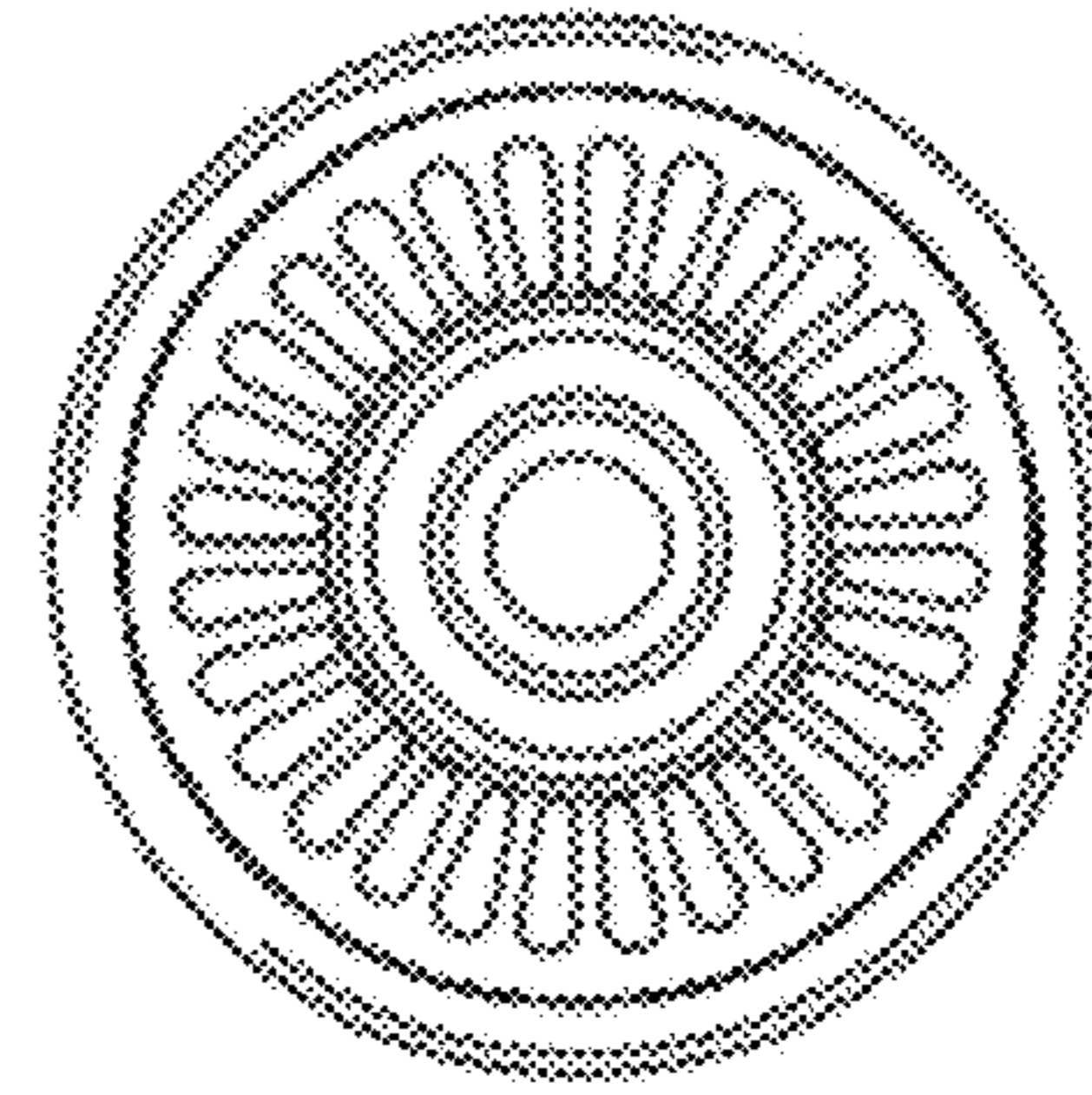


FIG. 6

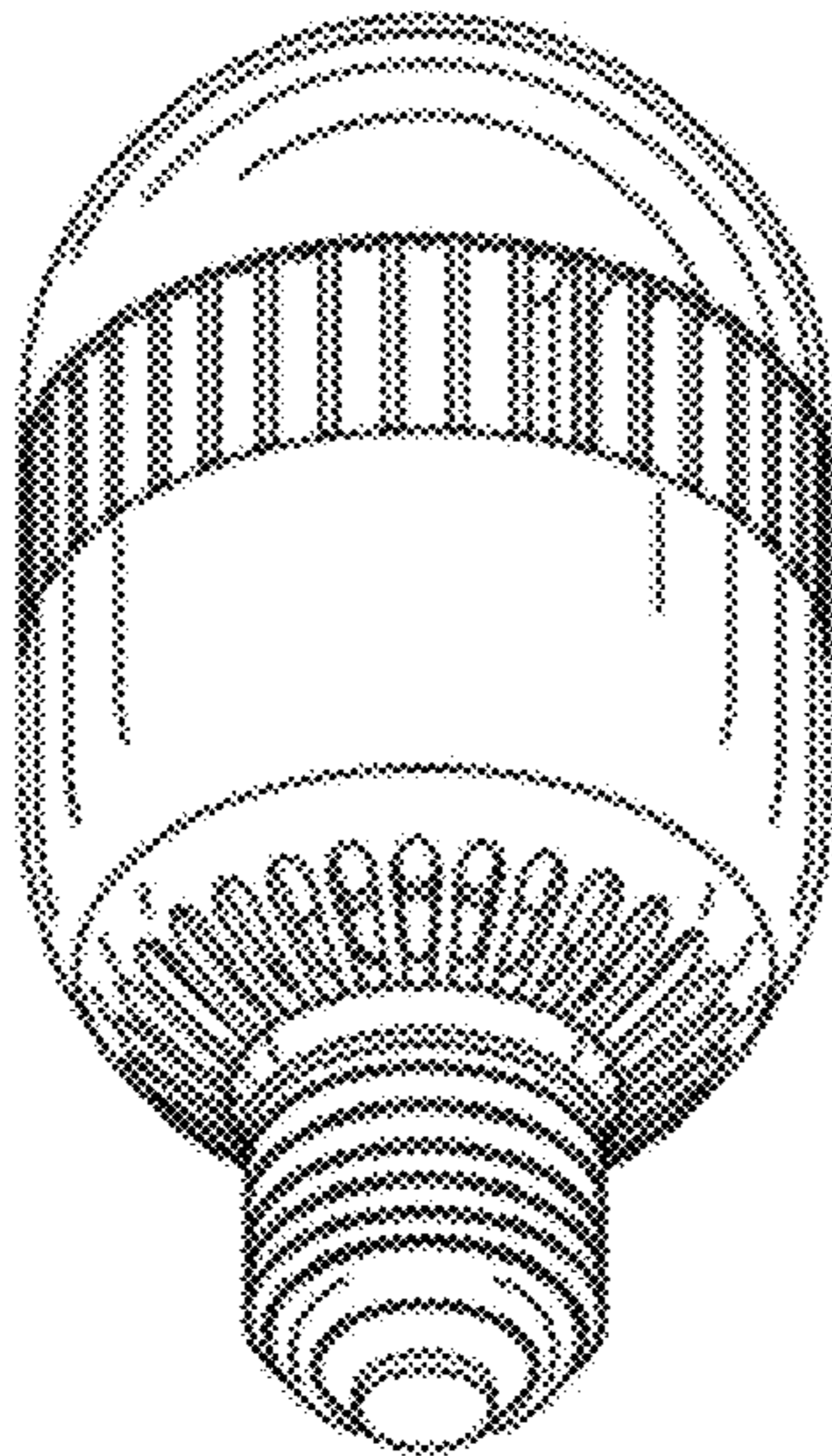


FIG. 7

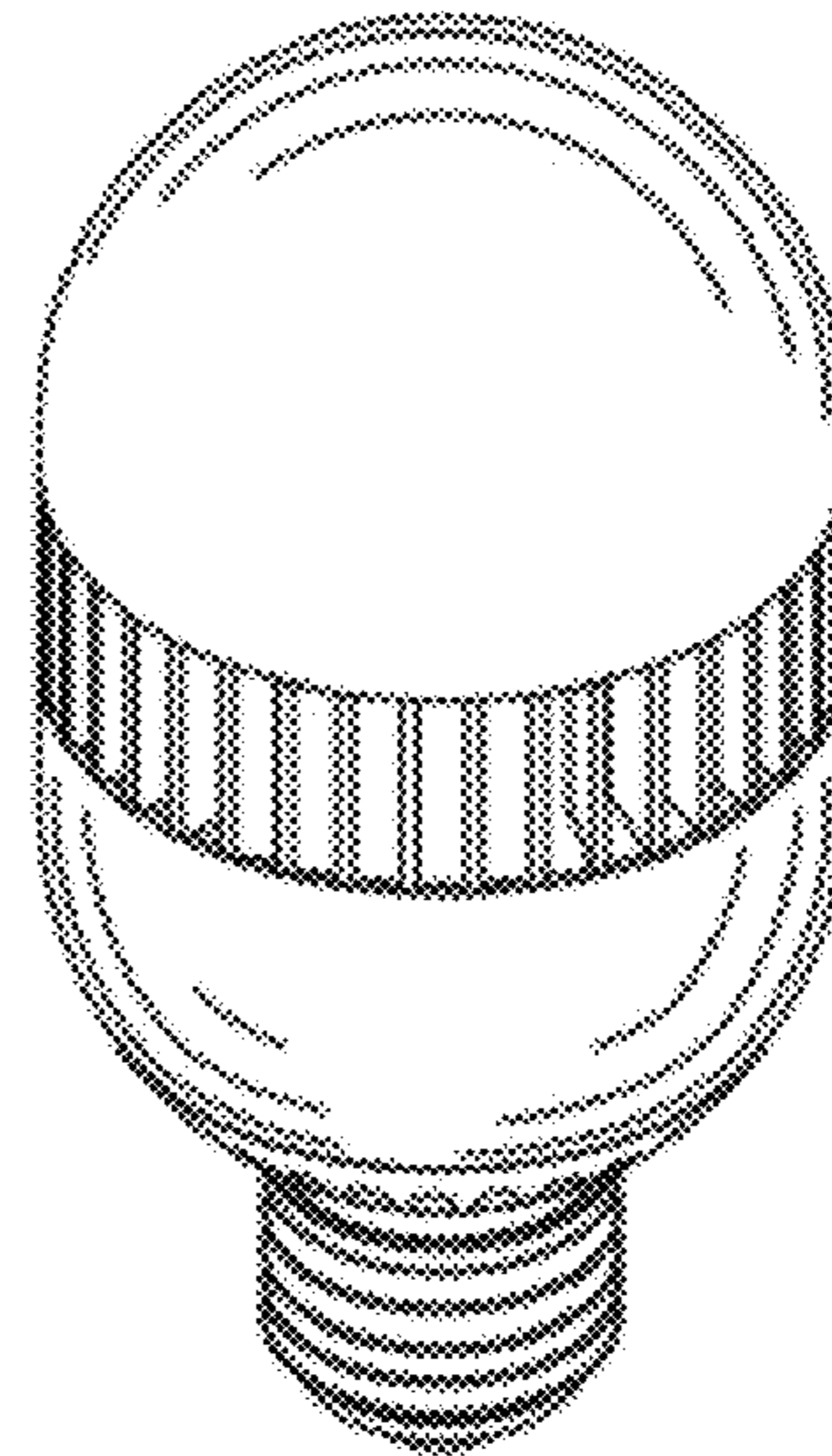


FIG. 8

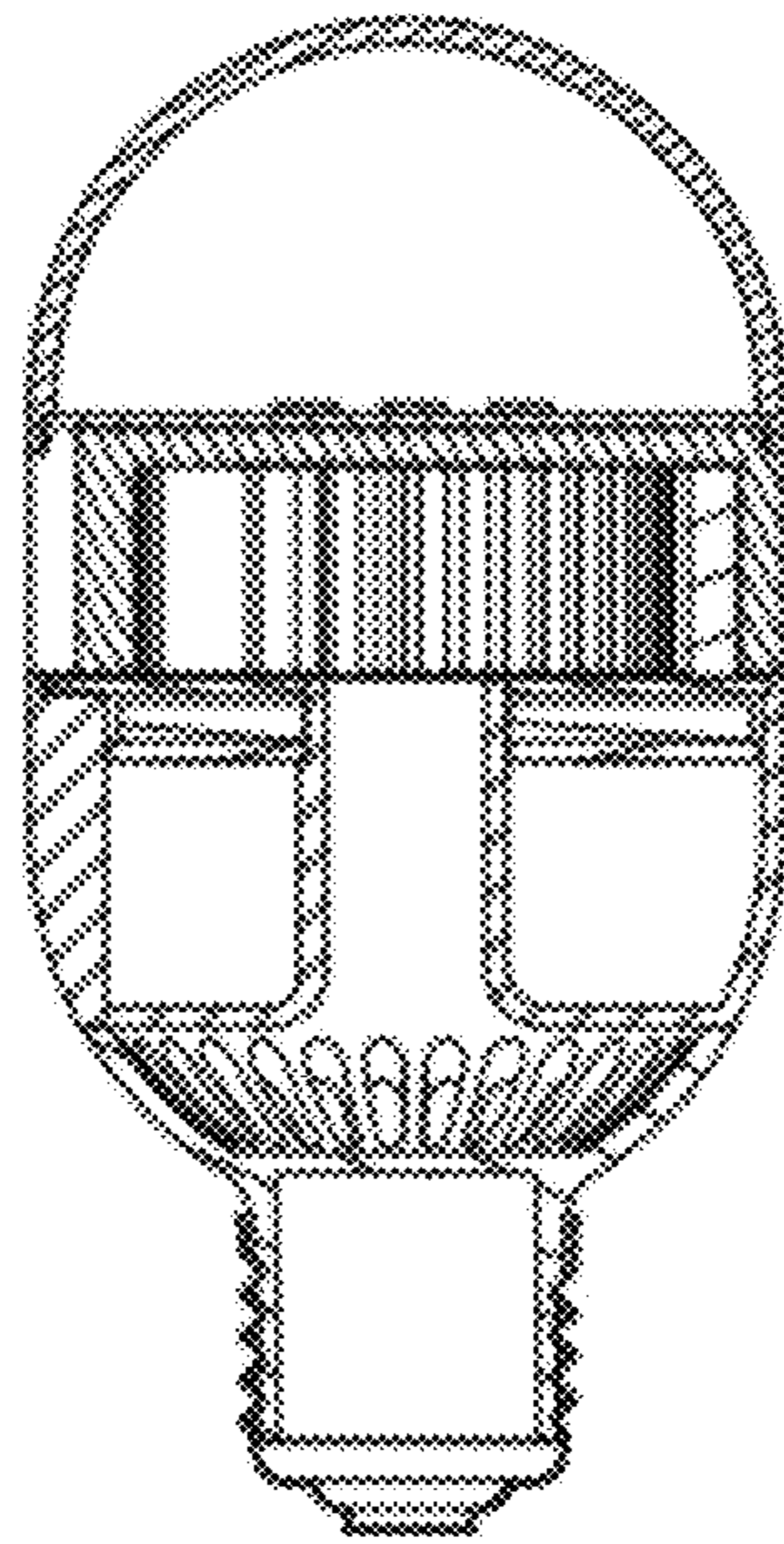


FIG. 9

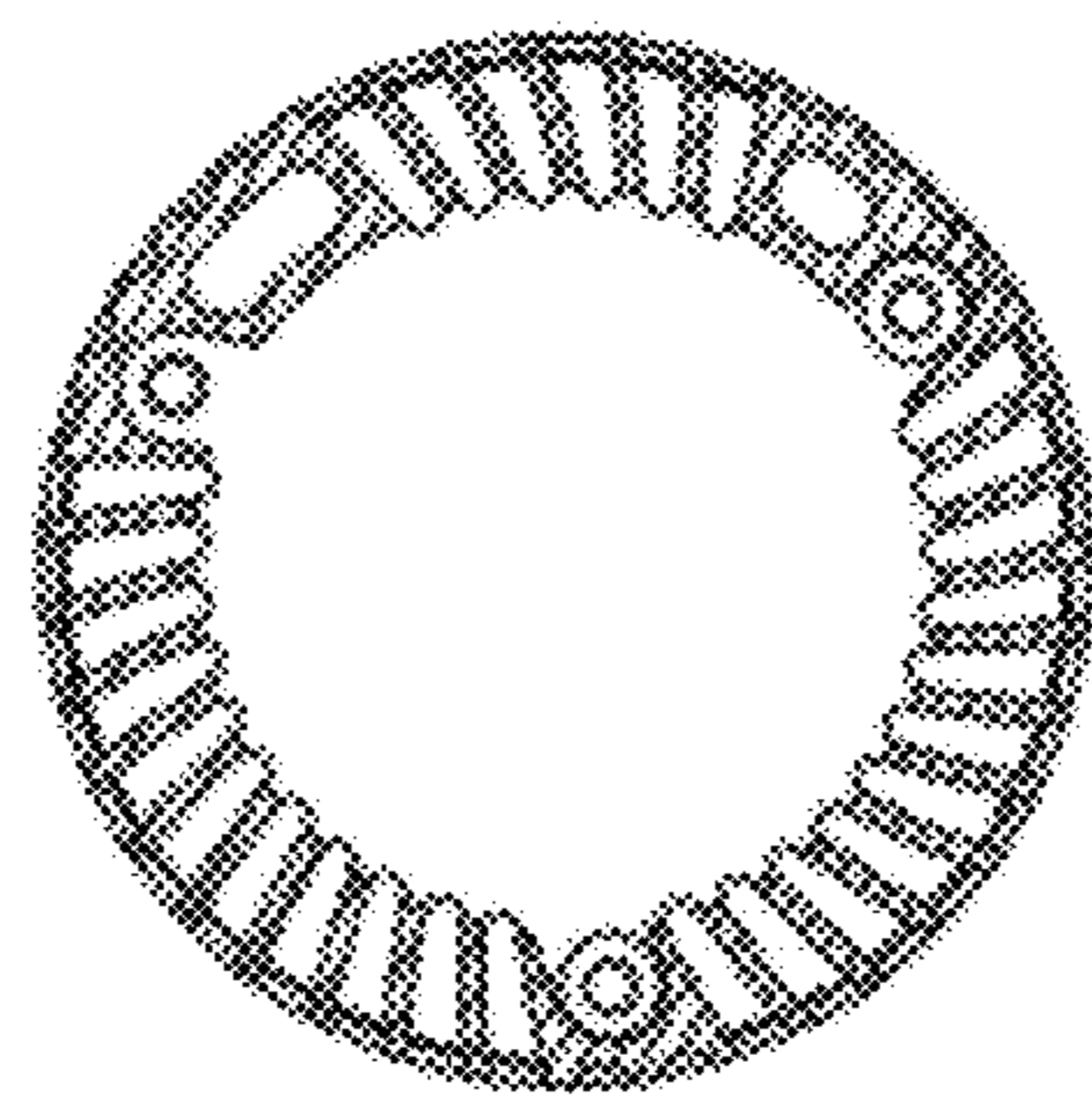


FIG. 10

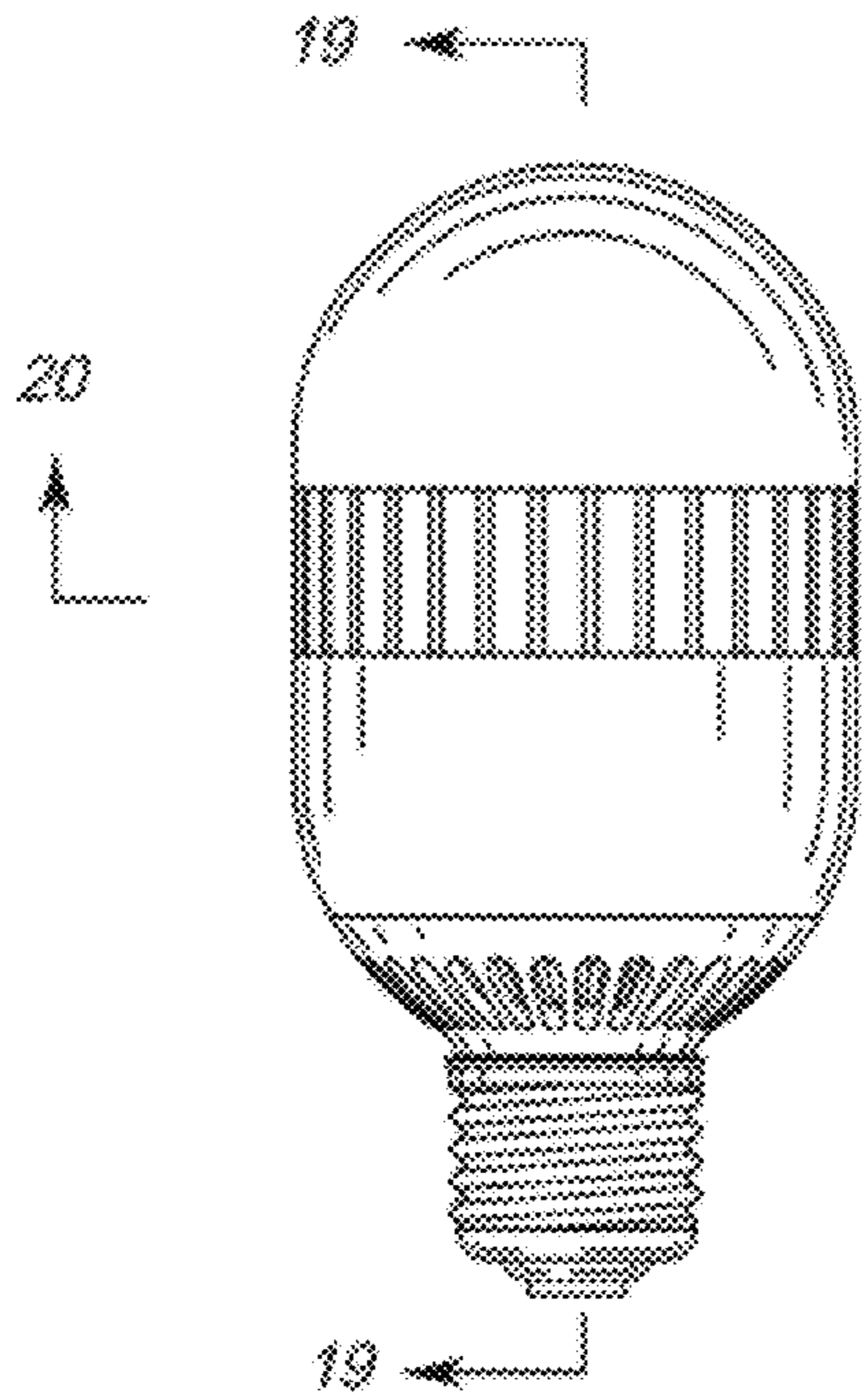


FIG. 11

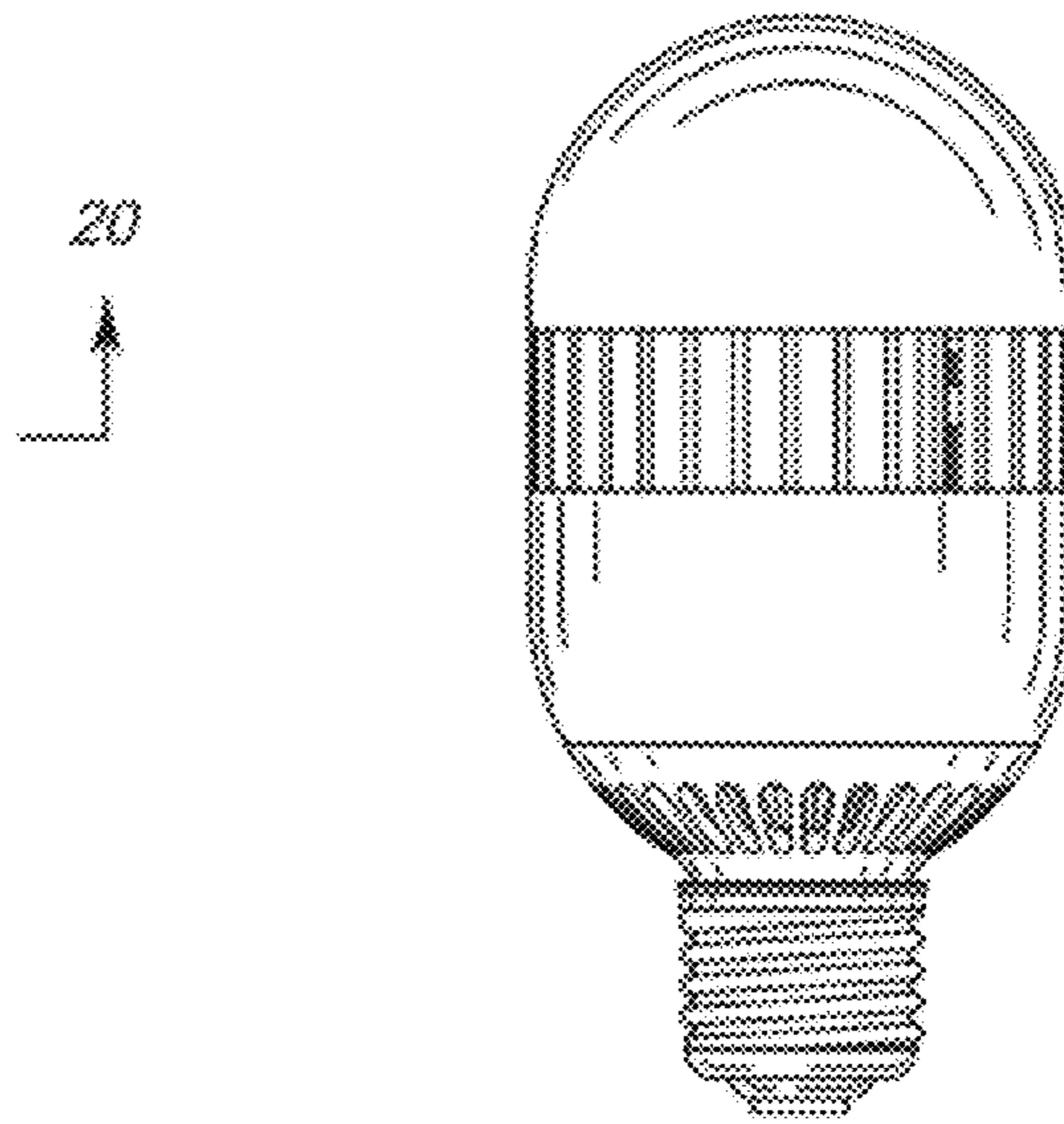


FIG. 12

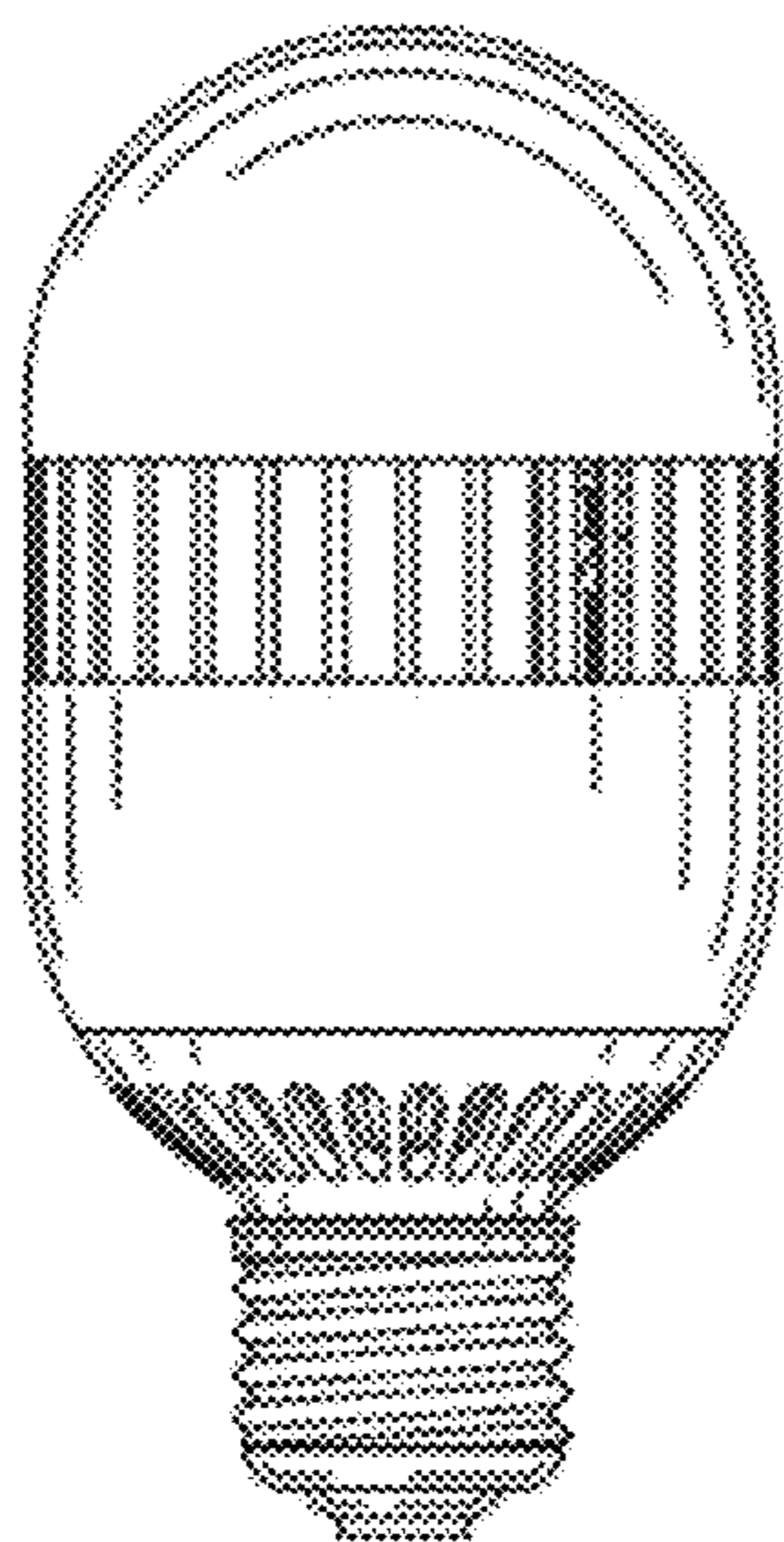


FIG. 13

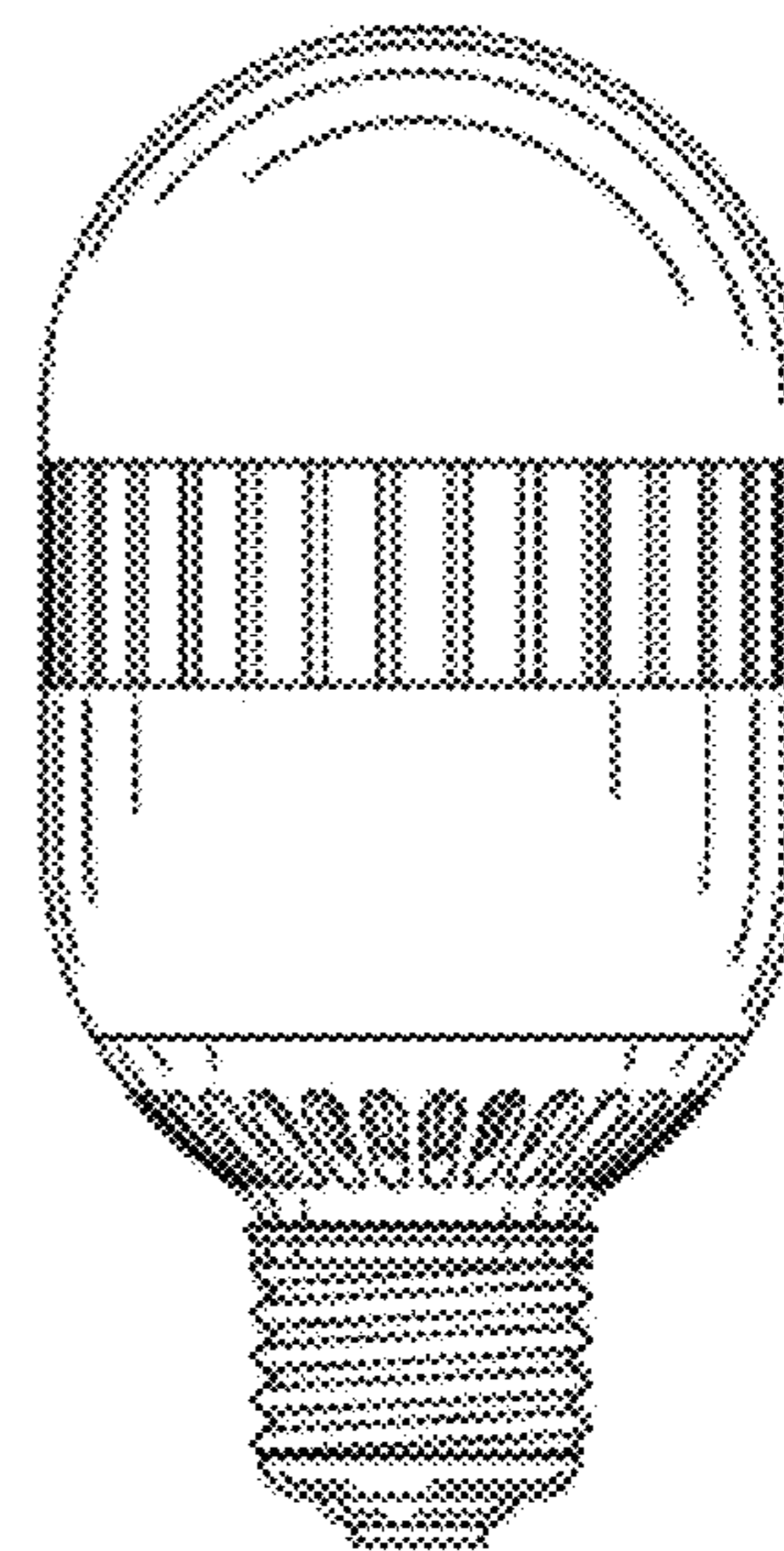


FIG. 14

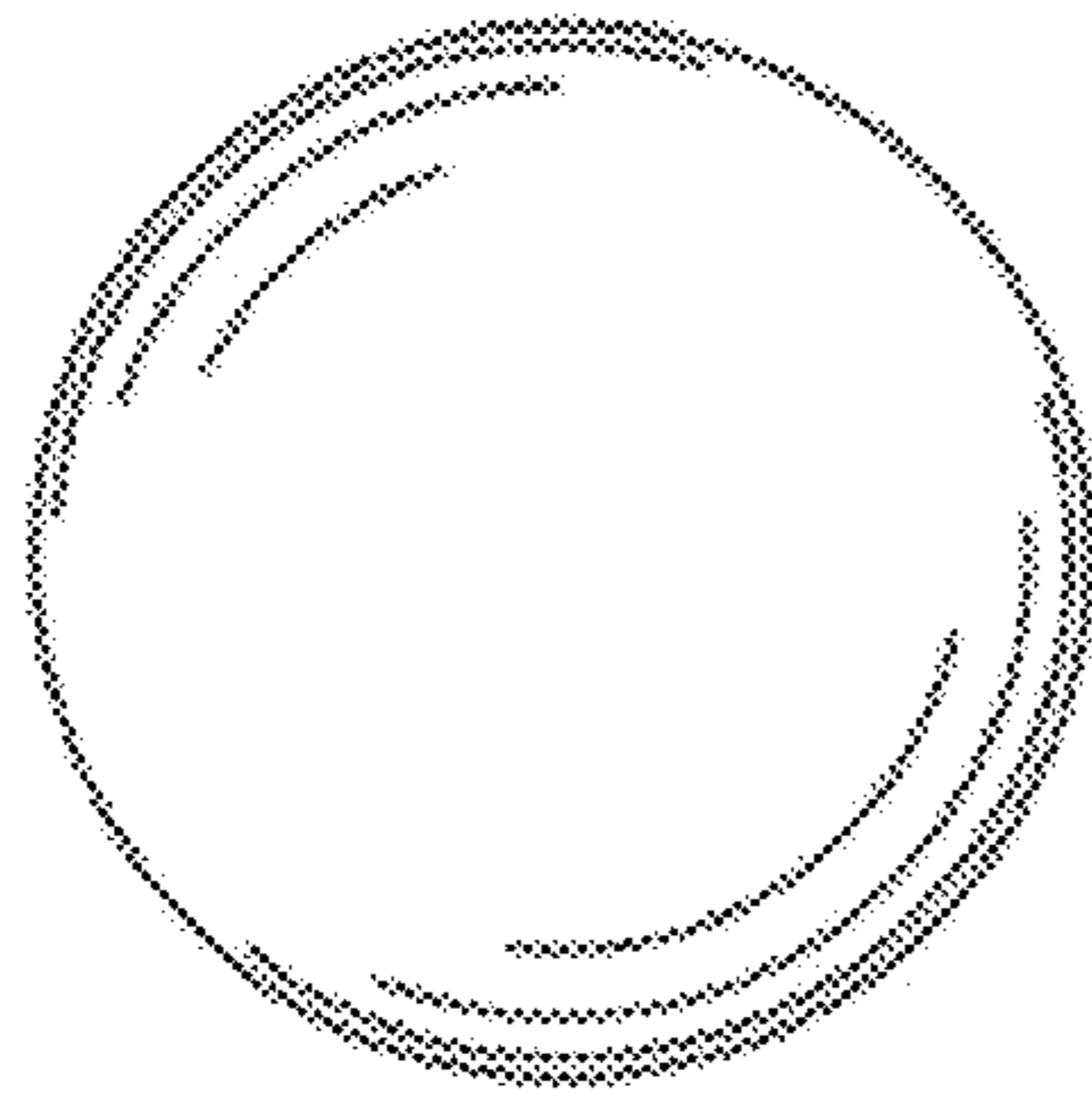


FIG. 15

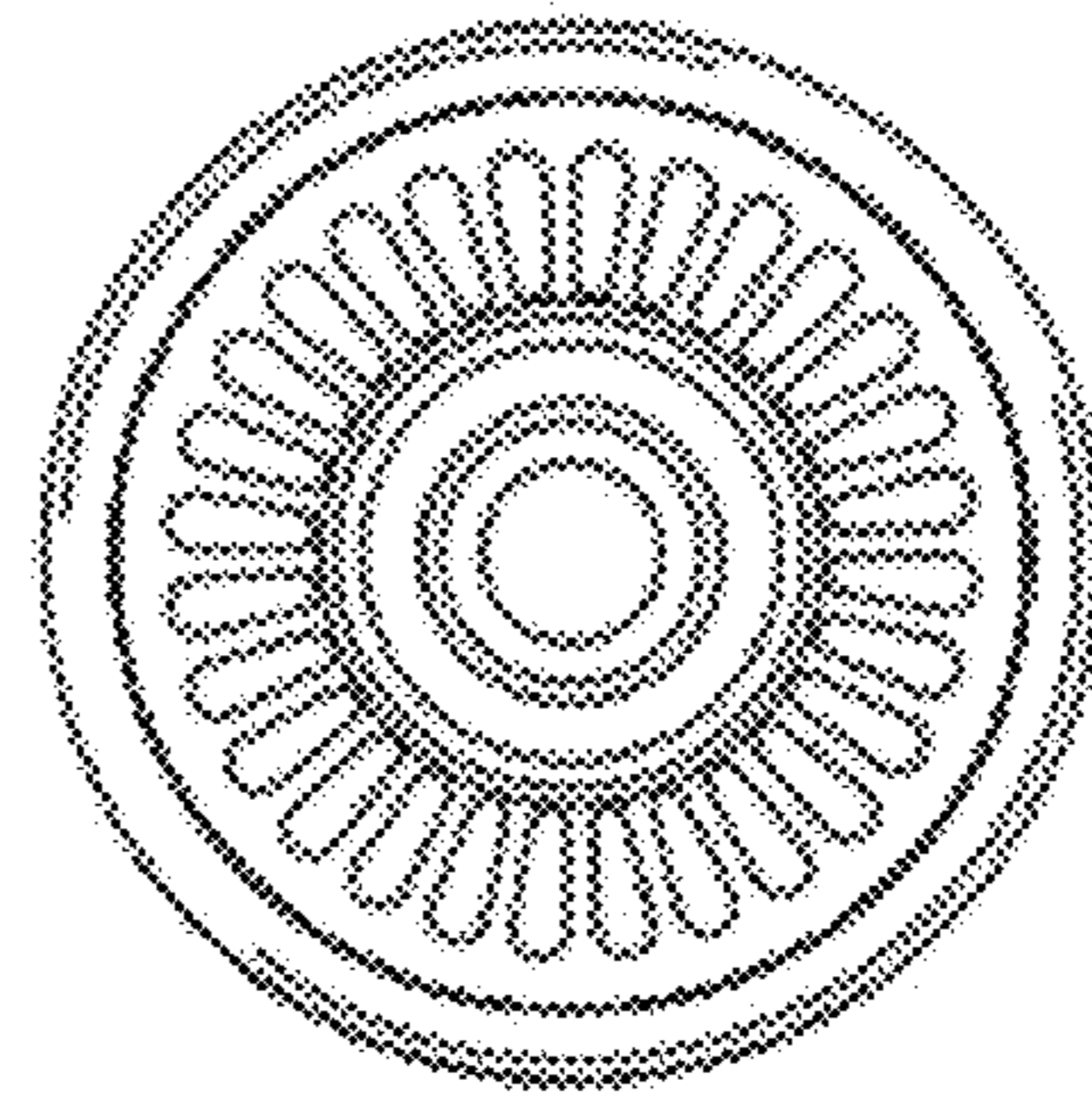


FIG. 16

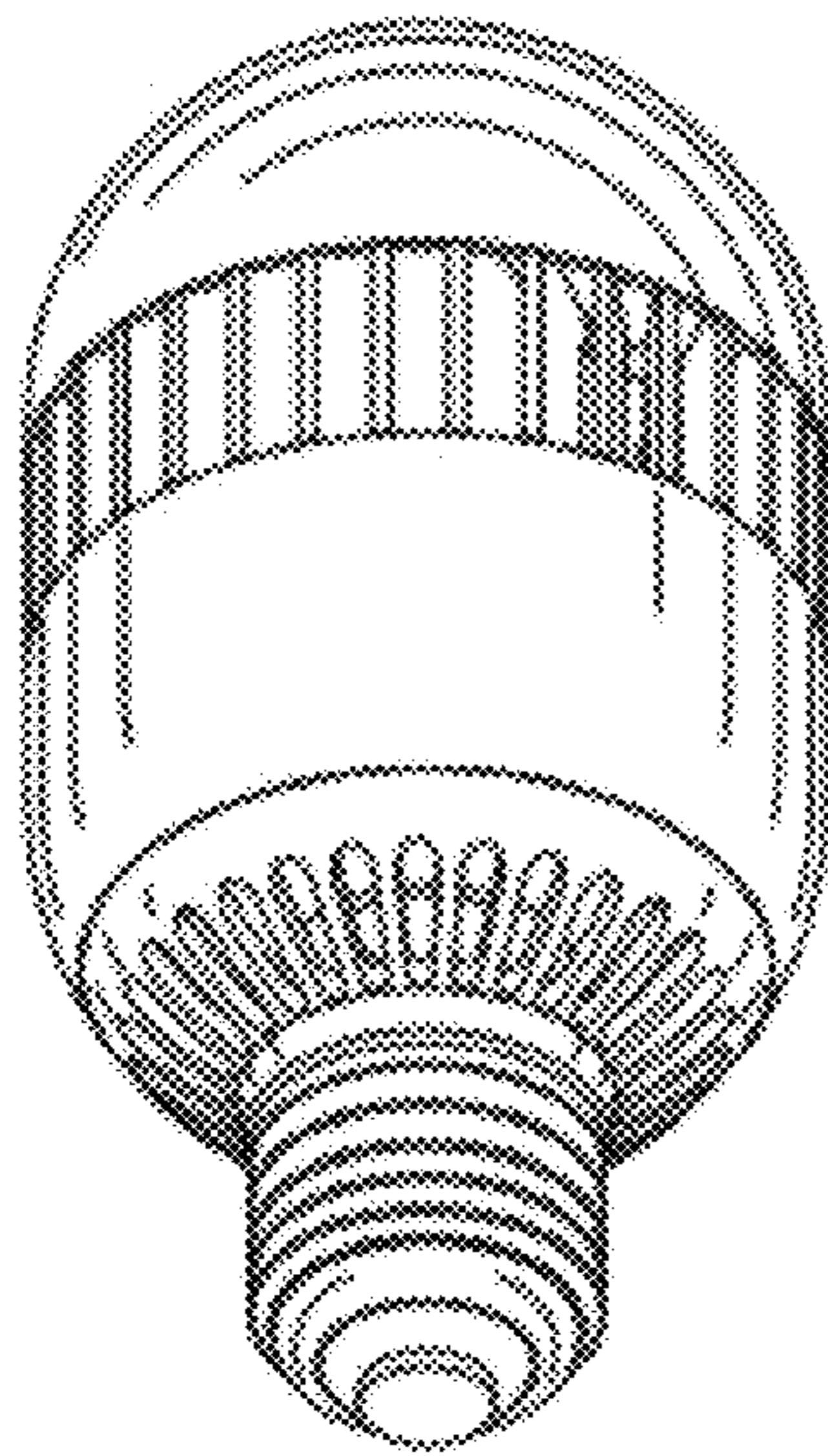


FIG. 17

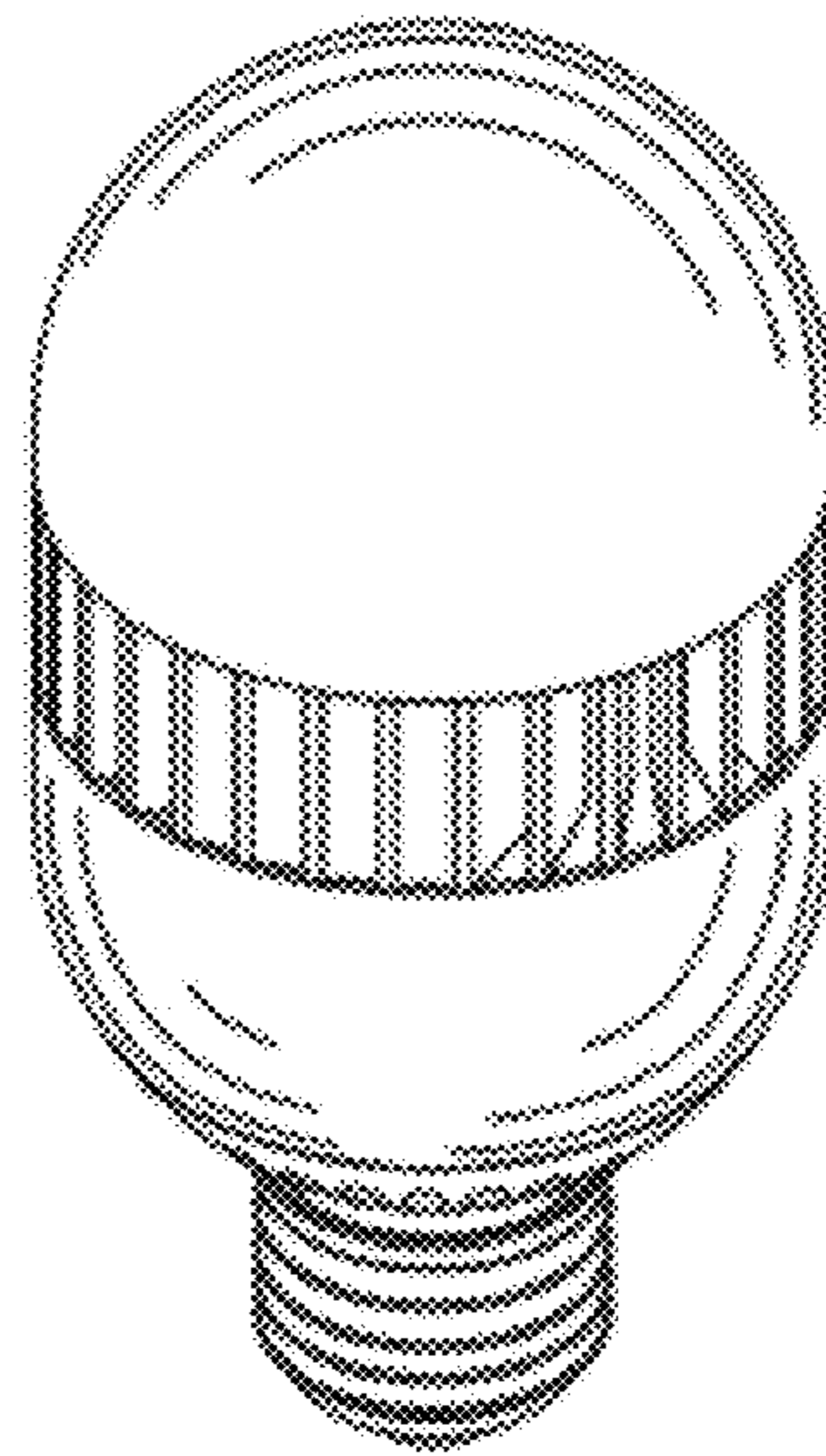


FIG. 18

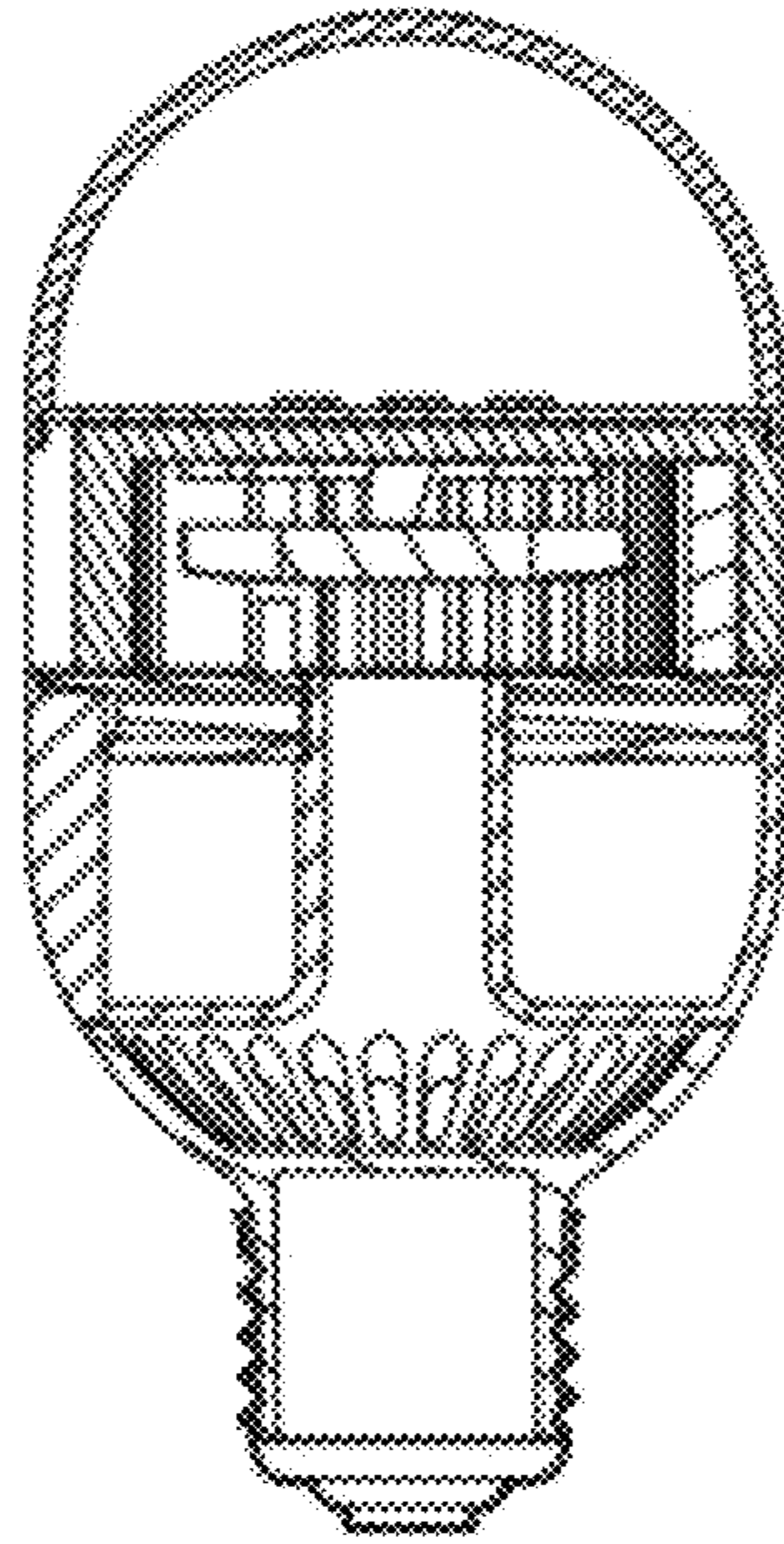


FIG. 19

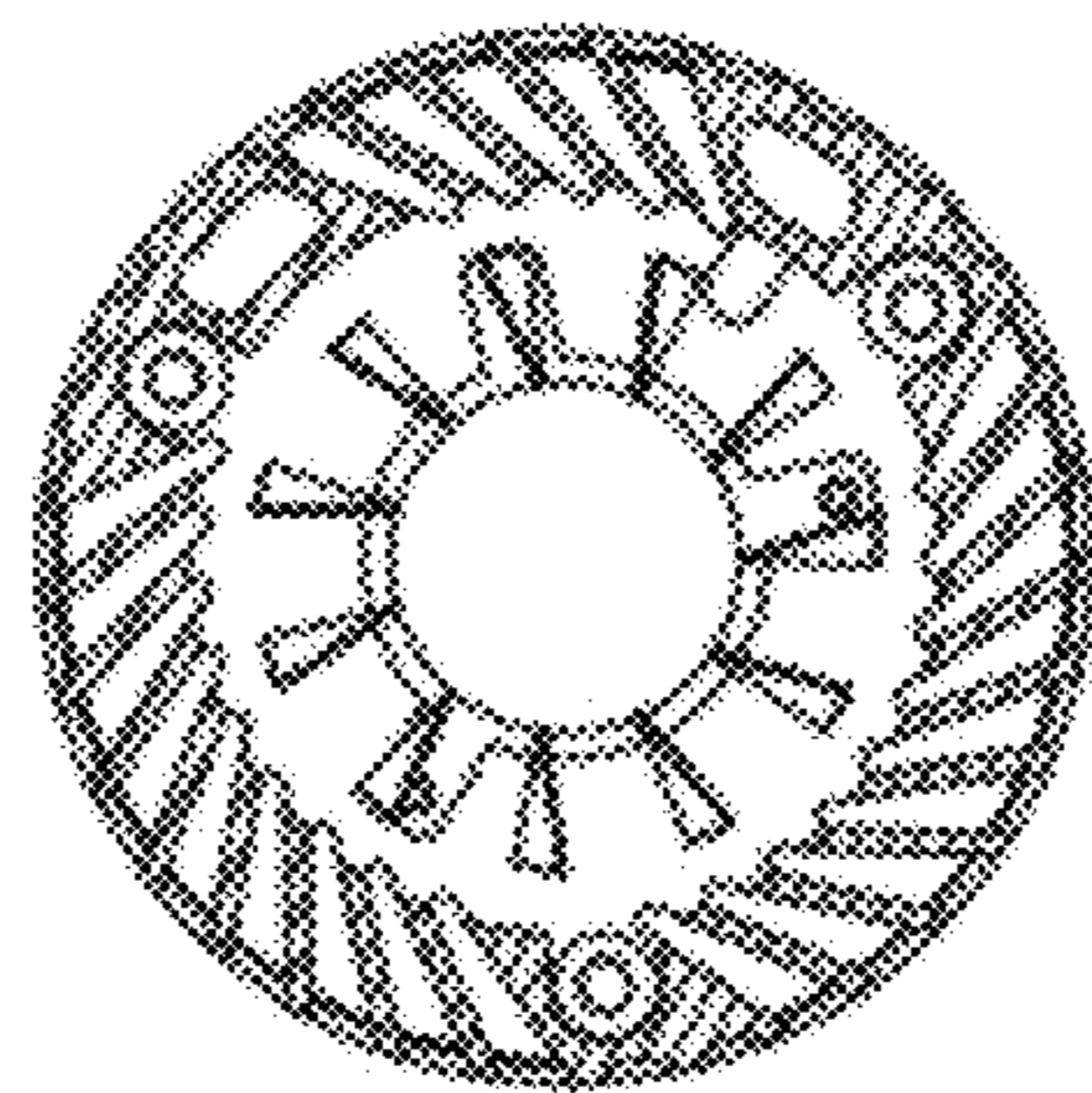


FIG. 20

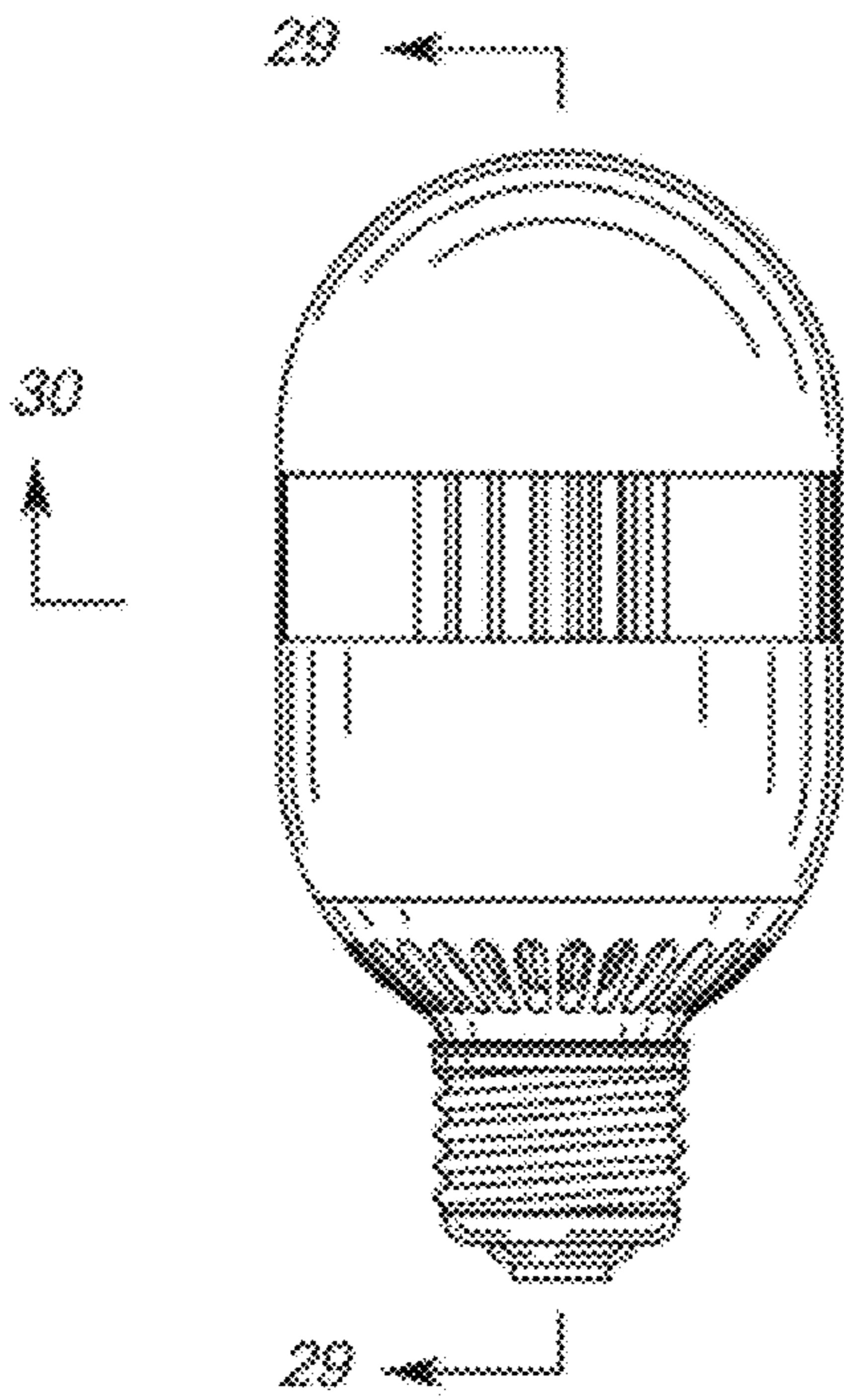


FIG. 21

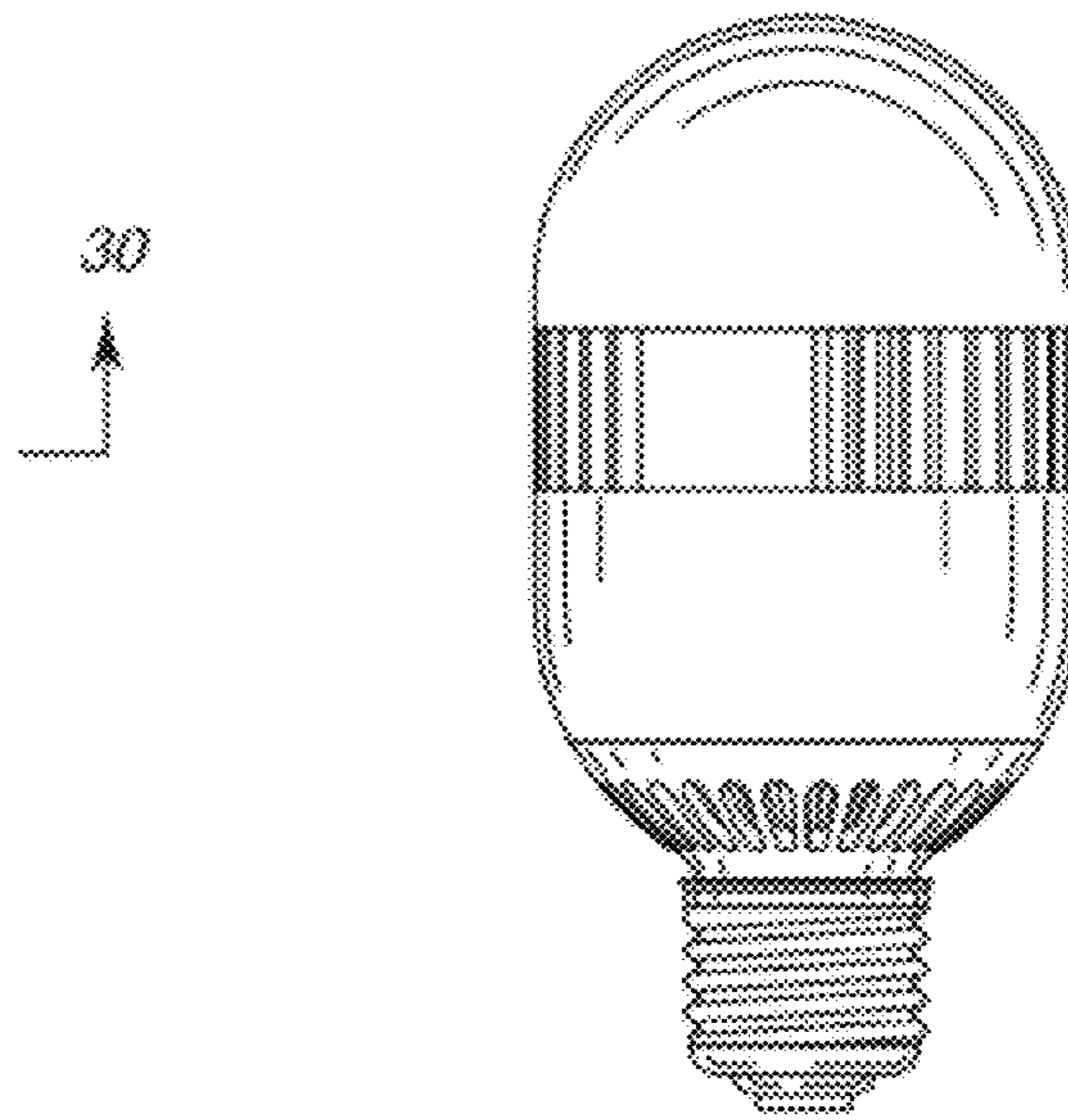


FIG. 22

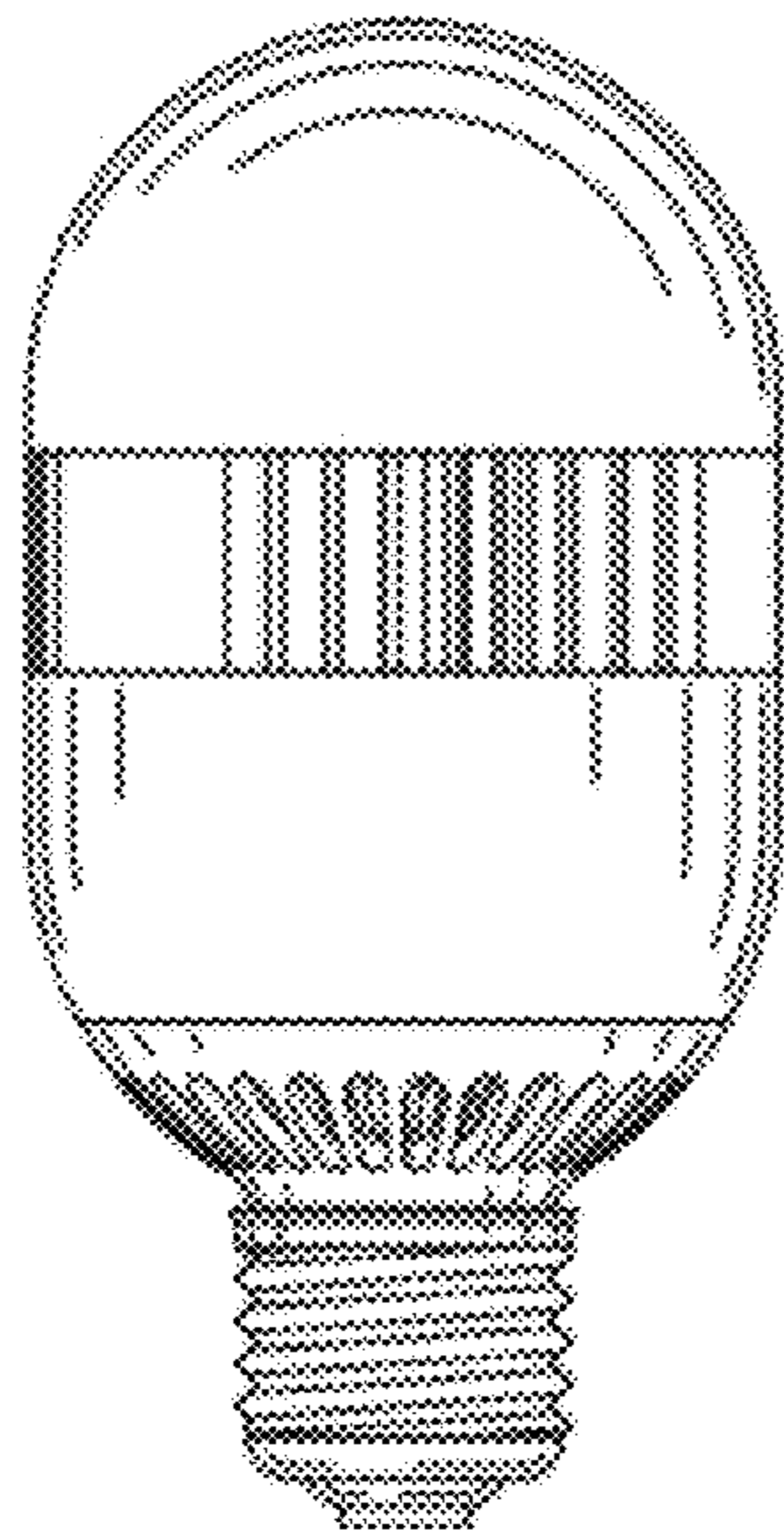


FIG. 23

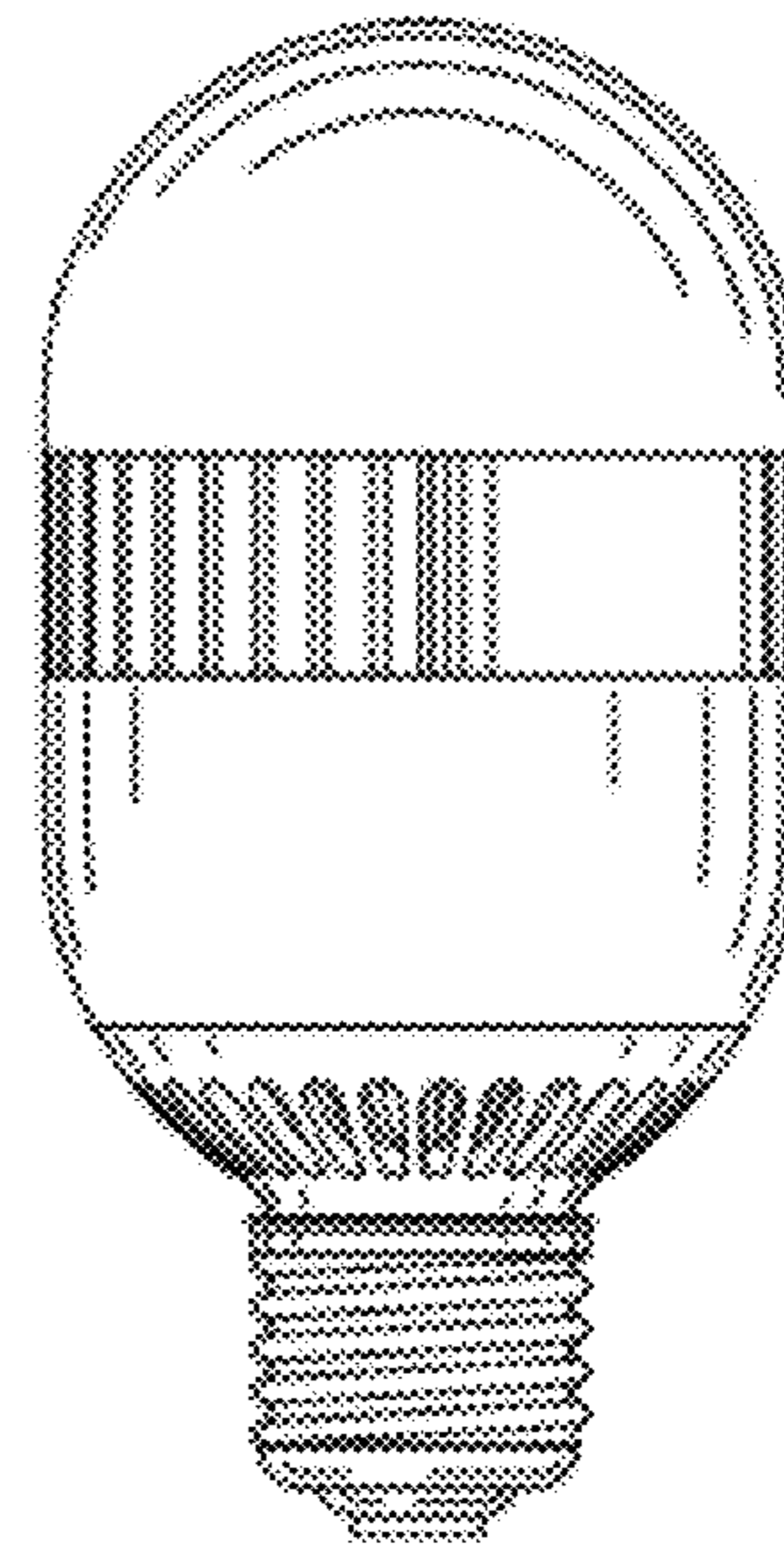


FIG. 24

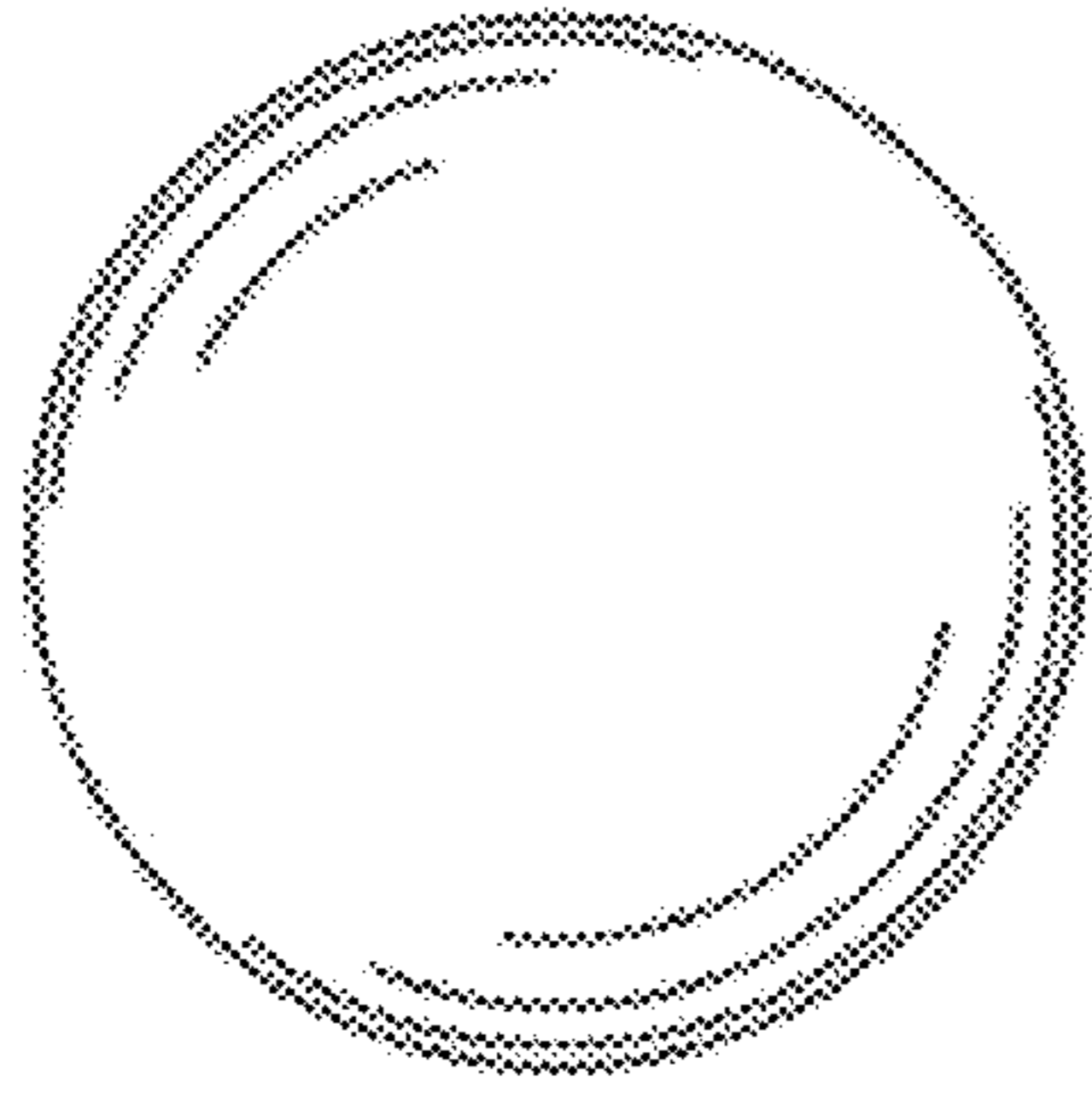


FIG. 25

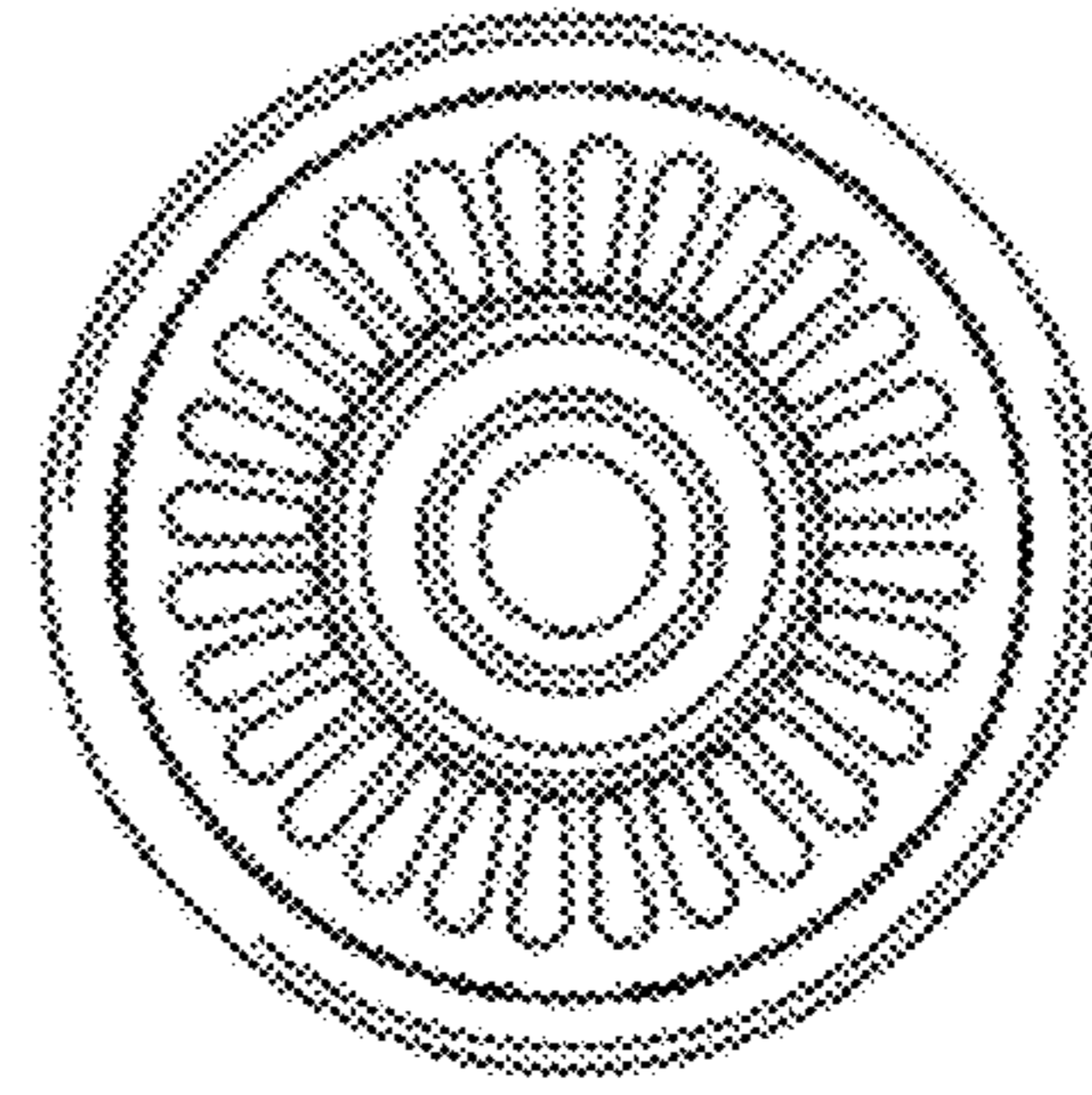


FIG. 26

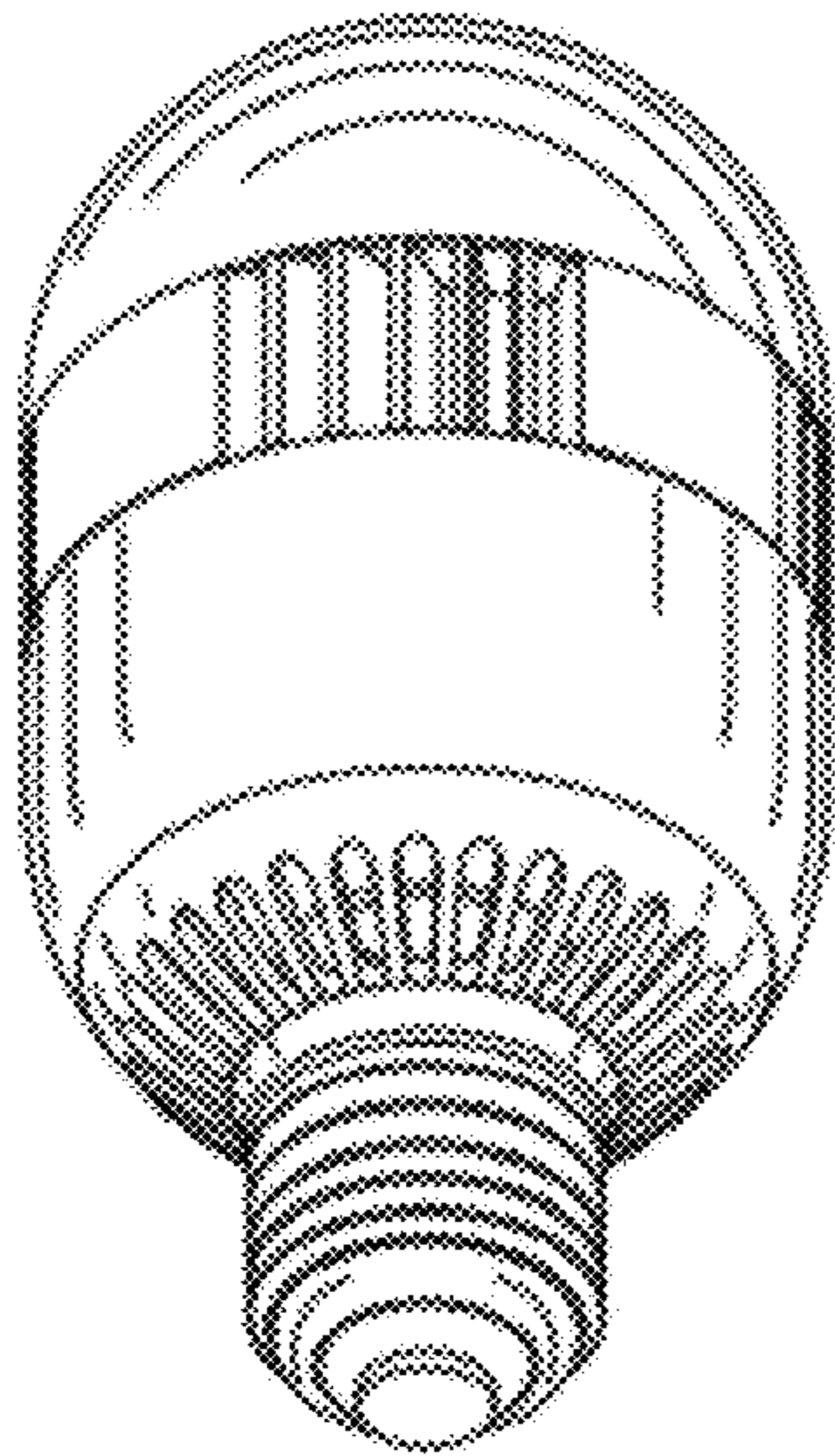


FIG. 27

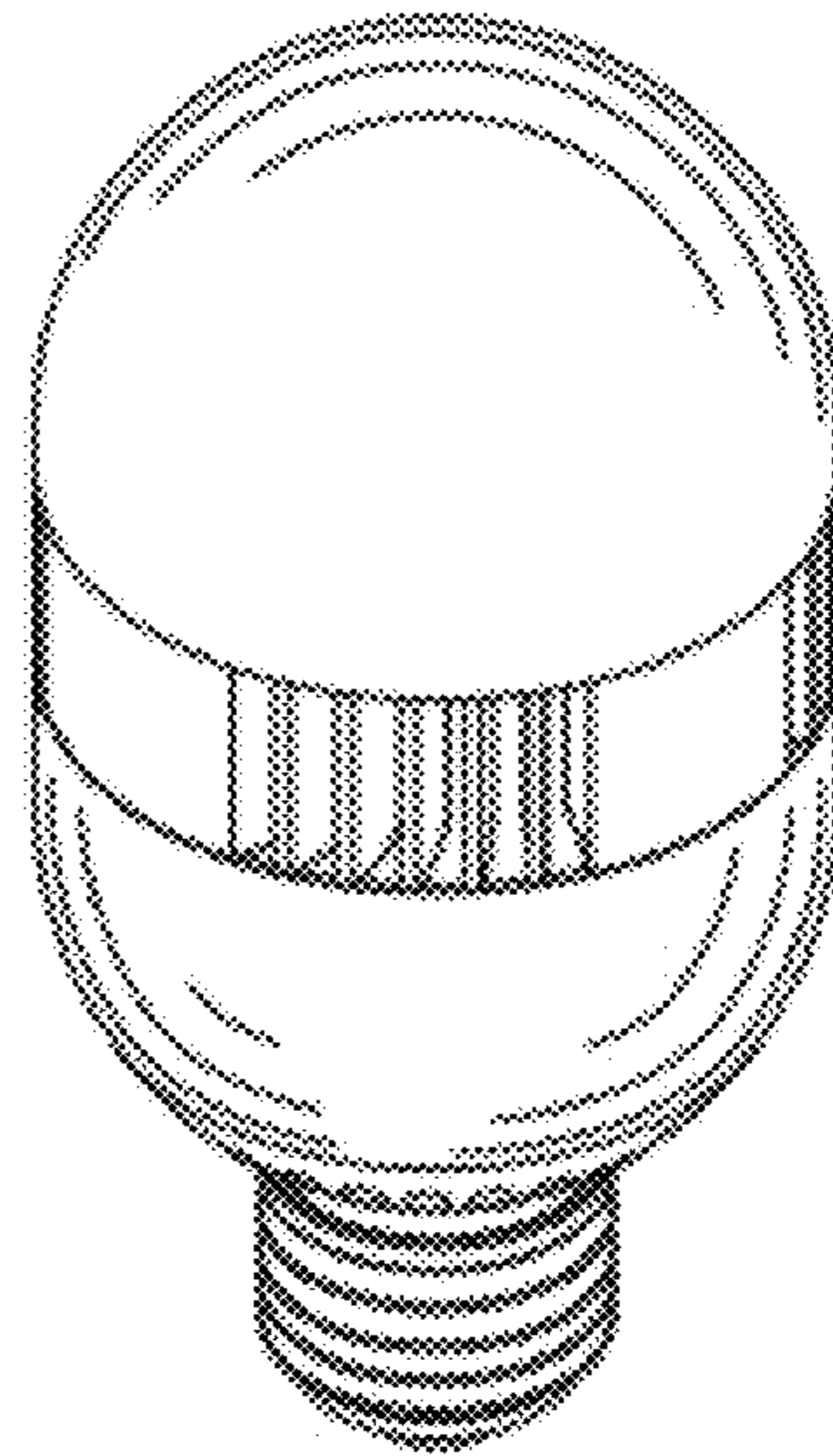


FIG. 28

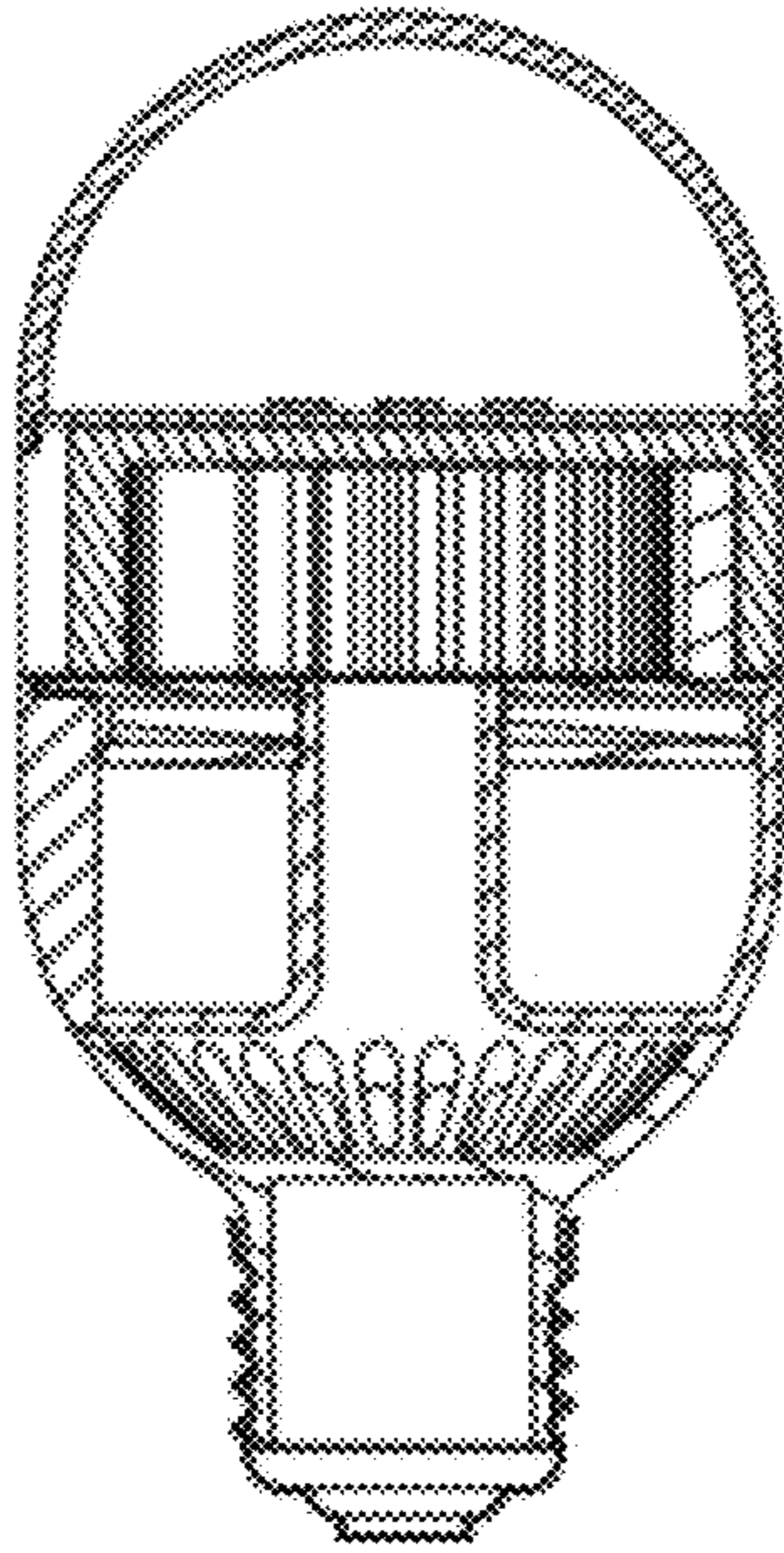


FIG. 29

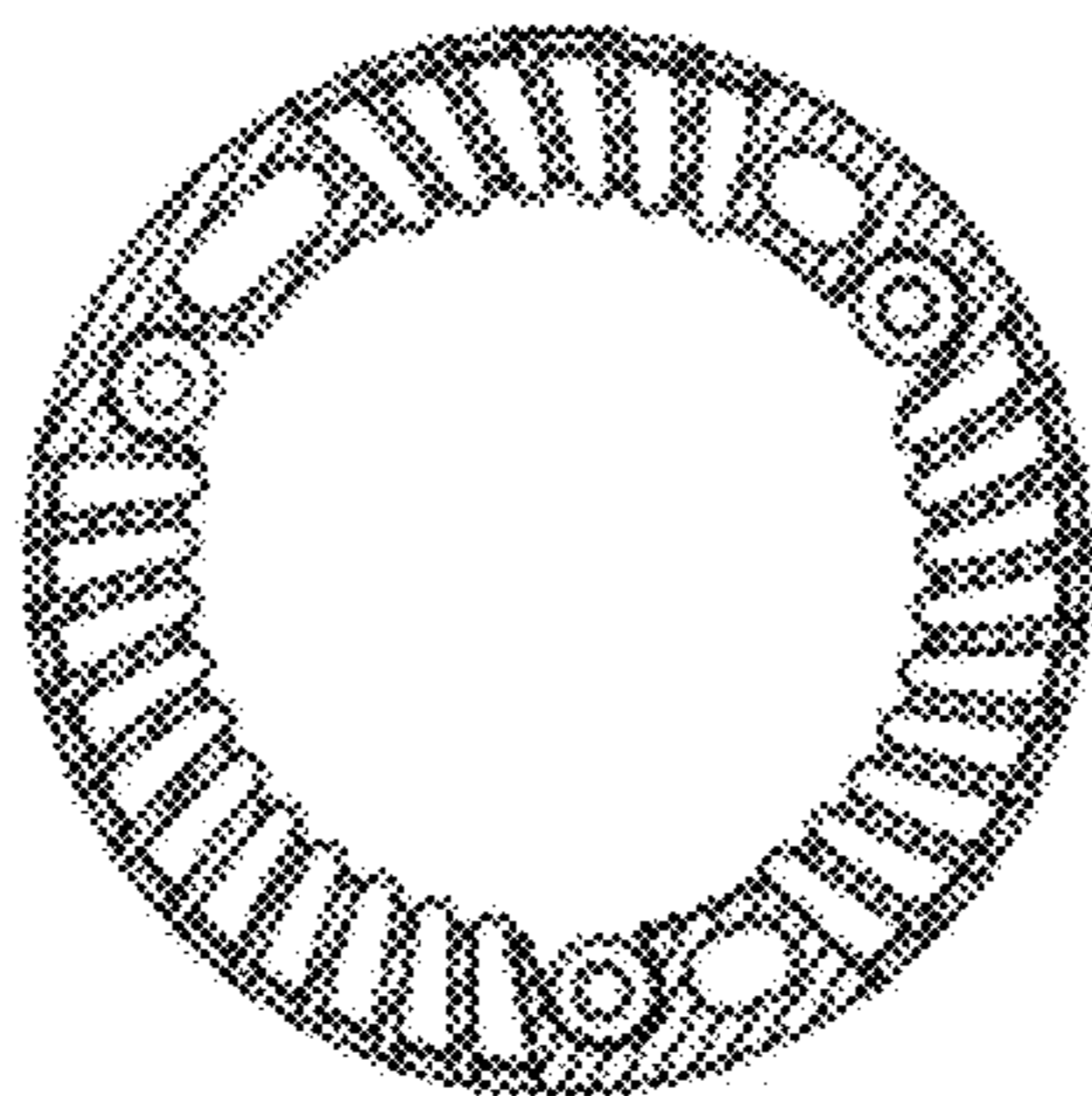


FIG. 30