



US00D658309S

(12) **United States Design Patent**
Falkenstrom

(10) **Patent No.:** **US D658,309 S**

(45) **Date of Patent:** **** Apr. 24, 2012**

(54) **PORTION OF A LADDER**

(76) Inventor: **Erik L. Falkenstrom**, Pollock Pines, CA (US)

(**) Term: **14 Years**

(21) Appl. No.: **29/390,759**

(22) Filed: **Apr. 28, 2011**

(51) **LOC (9) Cl.** **25-04**

(52) **U.S. Cl.** **D25/69**

(58) **Field of Classification Search** D25/64,
D25/68, 69; 182/179.1, 180.1, 194
See application file for complete search history.

(56) **References Cited**

U.S. PATENT DOCUMENTS

D140,324 S	2/1945	Fritzner	
D214,892 S	8/1969	Solecki	
D238,298 S	12/1975	Larson	
D254,630 S *	4/1980	Aberer et al.	D25/69
D264,195 S	5/1982	Jacobs	
D272,766 S *	2/1984	Guerriero	D25/68
4,716,988 A *	1/1988	Graffy	182/228.5
5,954,154 A	9/1999	Ziolkowski	
6,029,772 A	2/2000	Takahashi	
D456,525 S	4/2002	Lear et al.	
D457,650 S	5/2002	MacDuff	
6,471,000 B2 *	10/2002	Wolfe	182/8
D483,129 S	12/2003	Chustak	

D523,155 S 6/2006 Shultz
D623,317 S 9/2010 Moore
2003/0057019 A1 3/2003 Schmitt et al.

* cited by examiner

Primary Examiner — Doris Clark

(74) *Attorney, Agent, or Firm* — QuickPatents, Inc.; Kevin Prince

(57) **CLAIM**

I claim the ornamental design for a portion of a ladder, as shown and described.

DESCRIPTION

FIG. 1 is a perspective view of a portion of a ladder, showing my new design;

FIG. 2 is a cross-sectional view thereof, taken generally along lines 2--2 of FIG. 1;

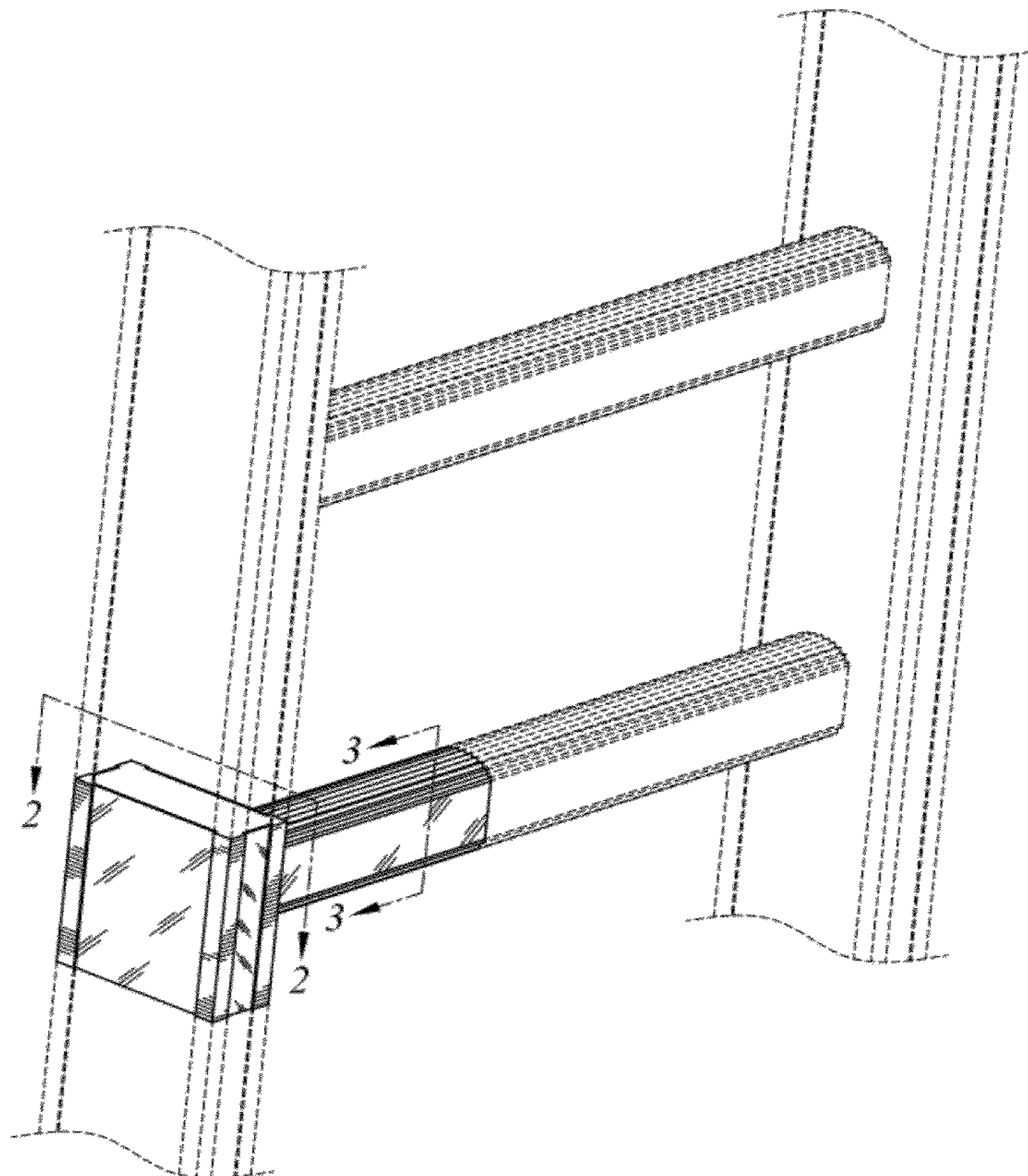
FIG. 3 is a cross-sectional view thereof, taken generally along lines 3--3 of FIG. 1;

FIG. 4 is a front elevational view thereof, the rear elevational view being a mirror image thereof; and,

FIG. 5 is a left-side elevational view thereof, the right-side elevational view being a mirror image thereof.

The broken lines showing a remaining portion of a ladder in FIG. 1 depict environmental matter and form no part of the claimed design.

1 Claim, 3 Drawing Sheets



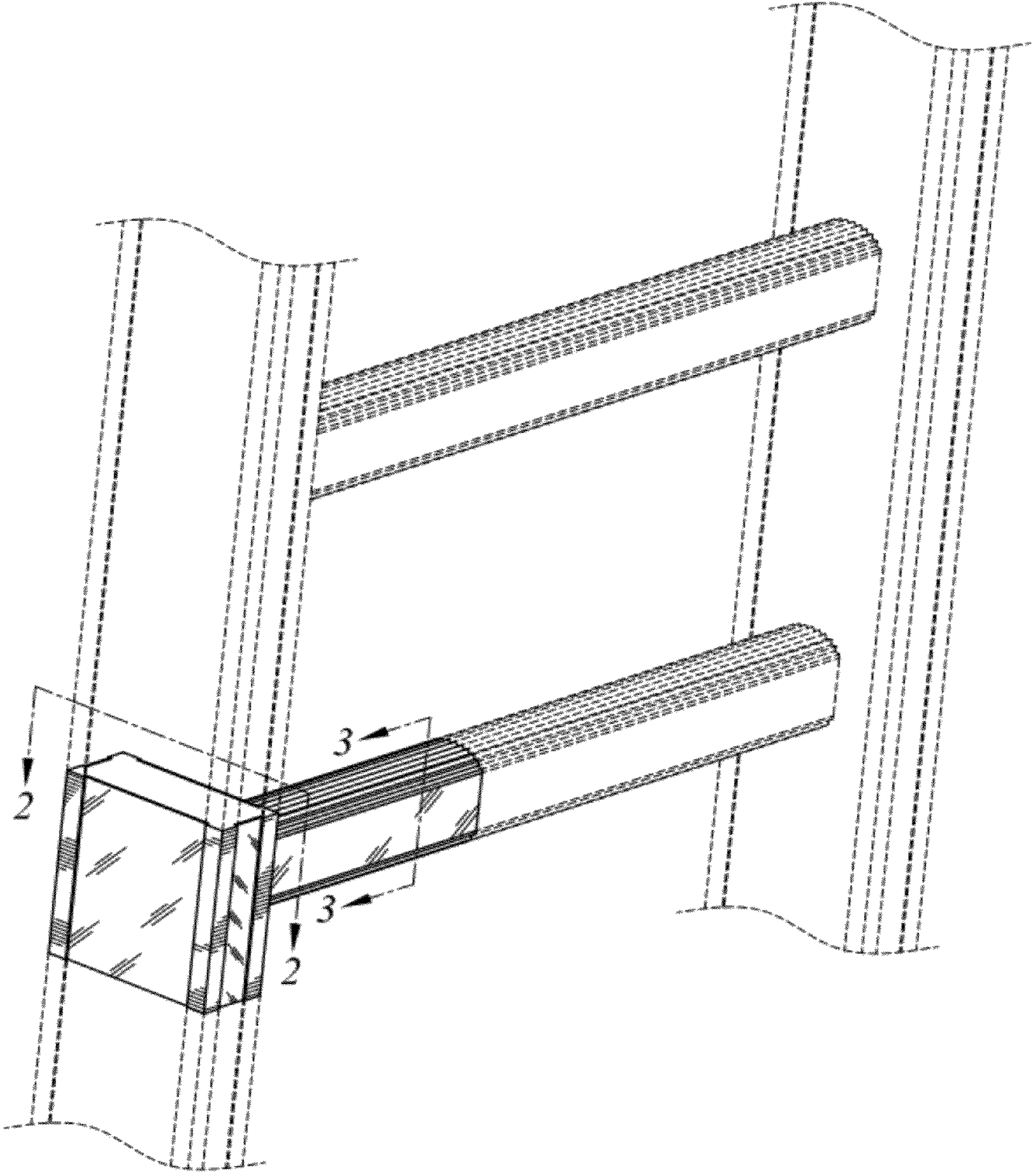


FIG. 1

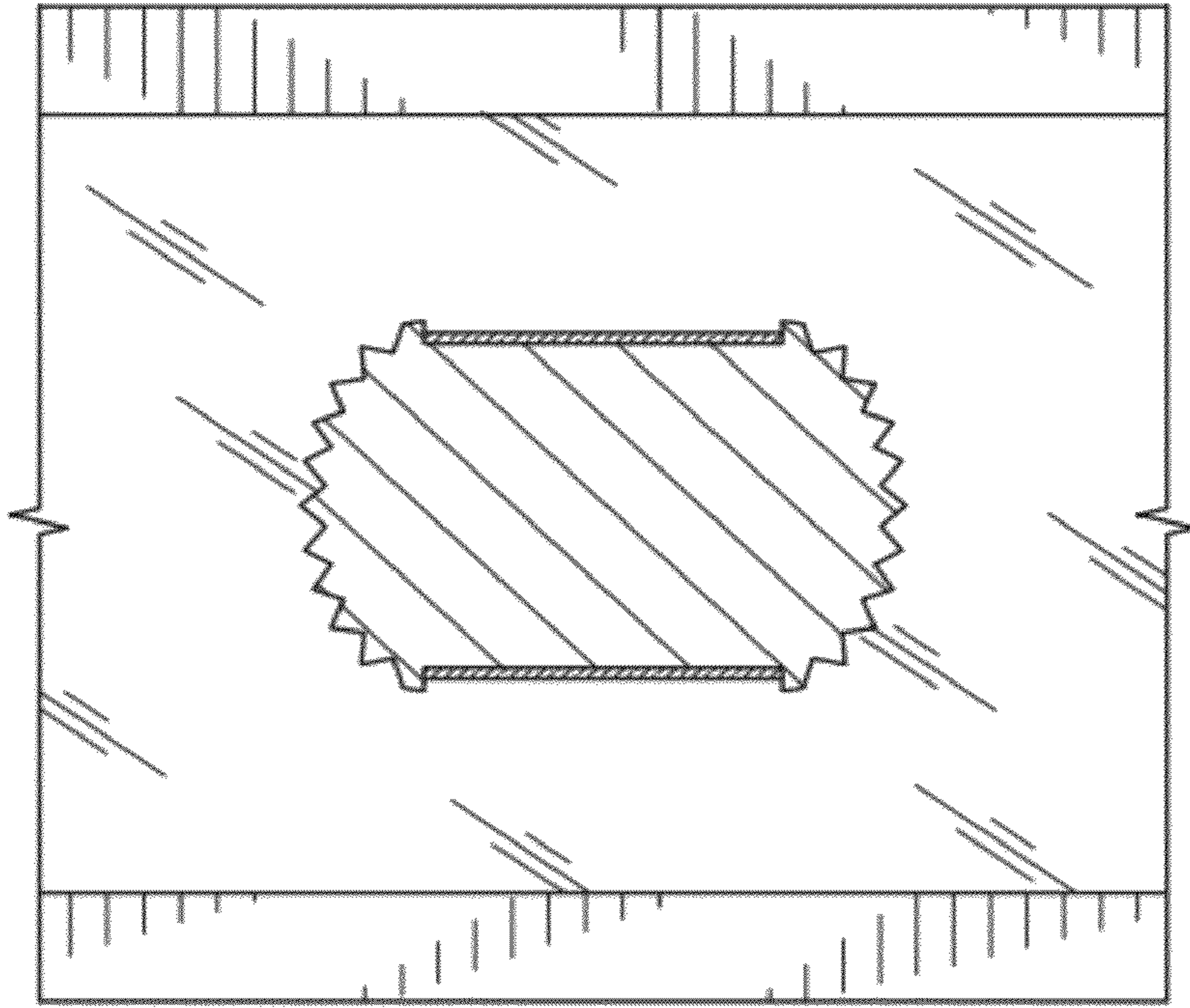


FIG. 3

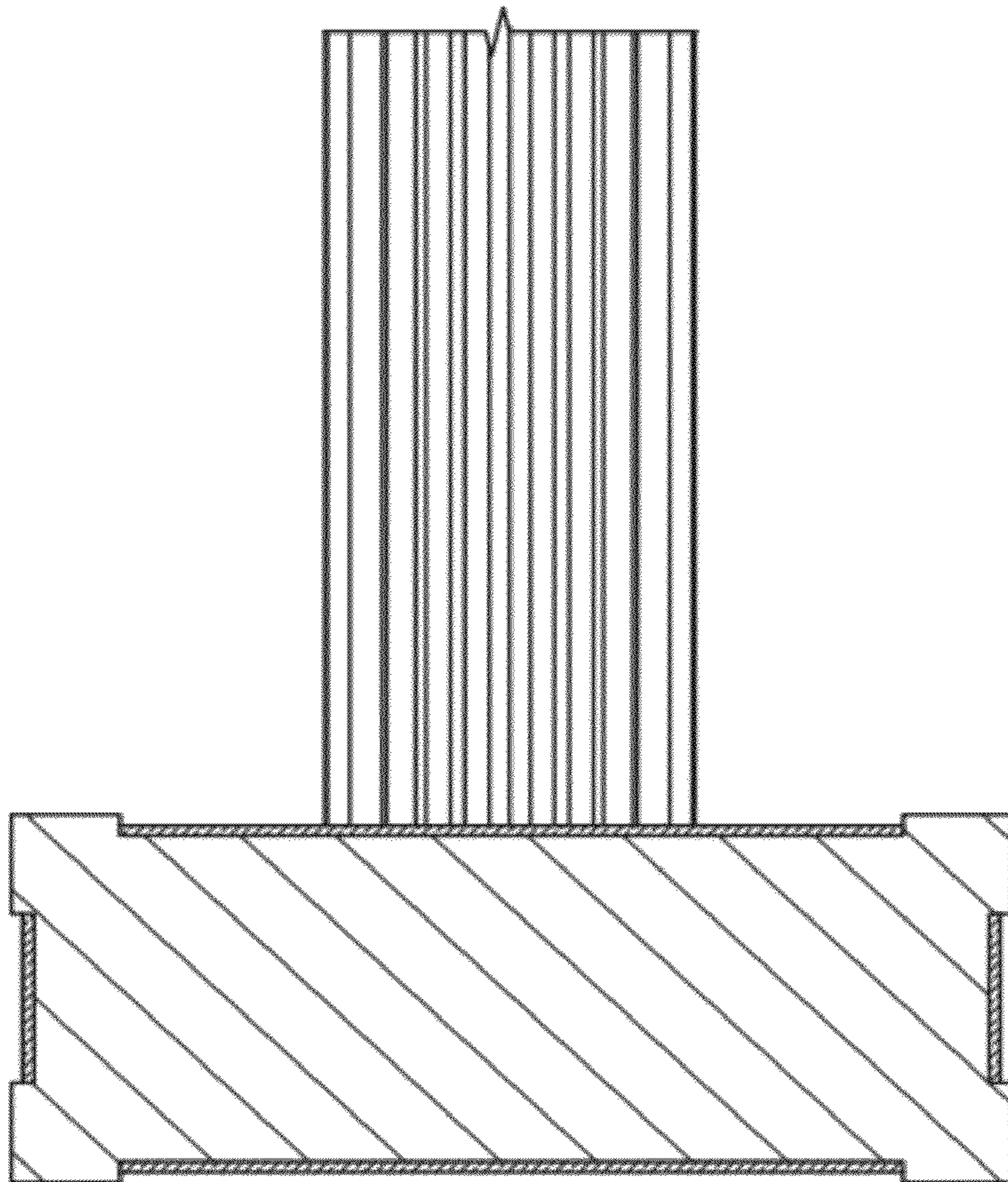


FIG. 2

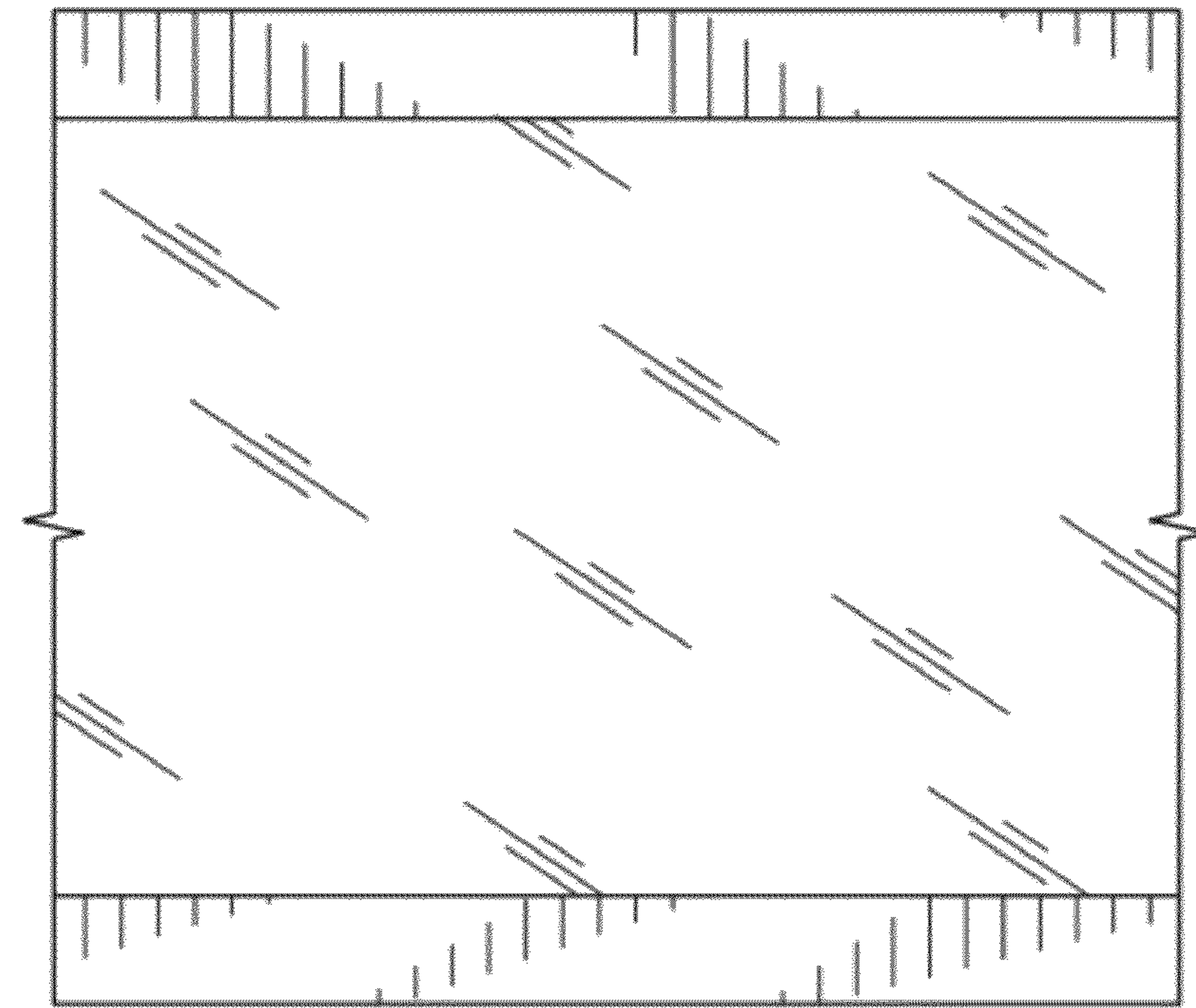


FIG. 5

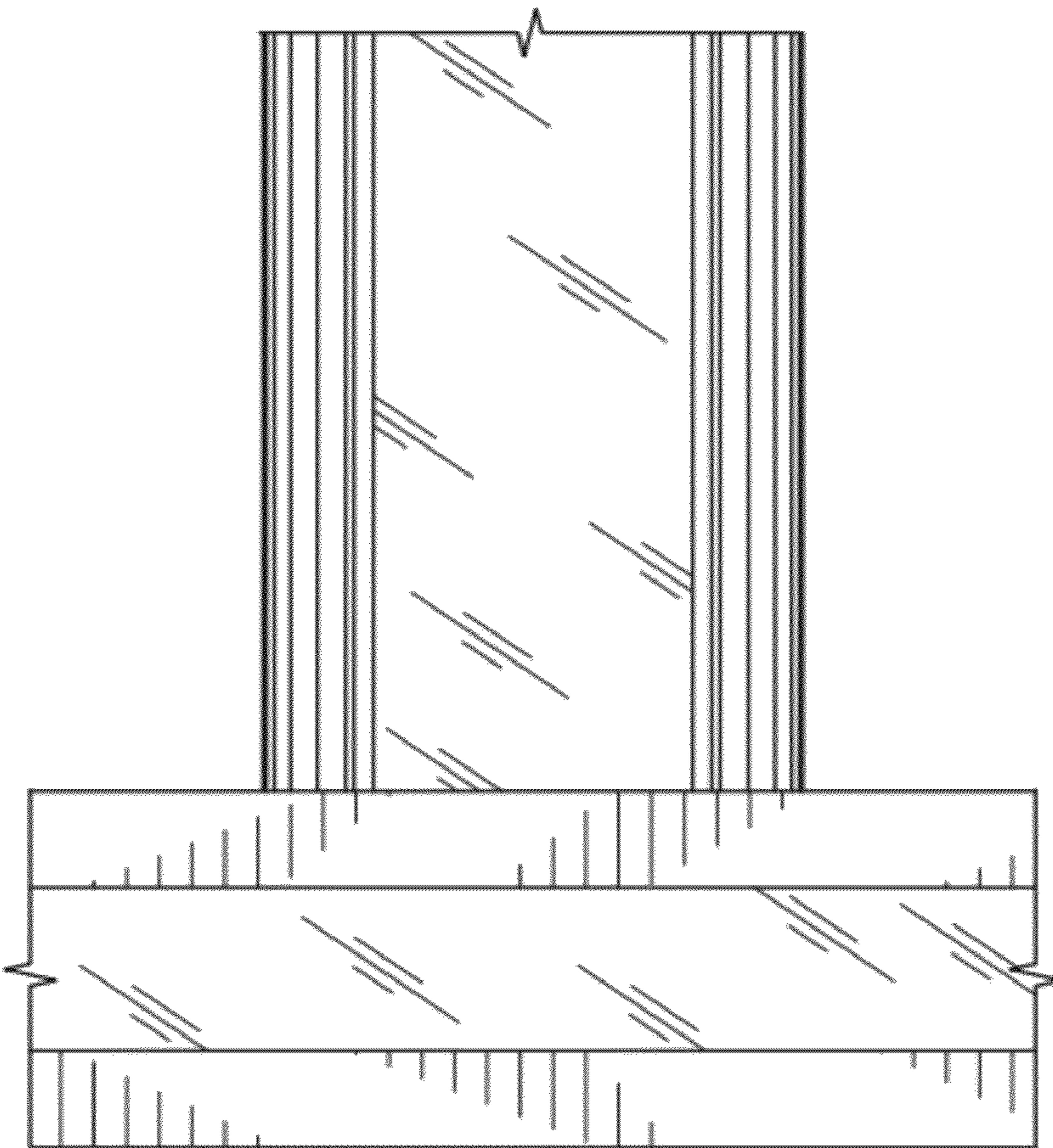


FIG. 4