



US00D658306S

(12) **United States Design Patent**
Gevaert et al.

(10) **Patent No.:** **US D658,306 S**

(45) **Date of Patent:** **** Apr. 24, 2012**

(54) **CULTURE CHAMBER**

(75) Inventors: **Matthew R. Gevaert**, Greenville, SC (US); **David E. Orr**, Piedmont, SC (US); **Margaret Rebecca Drumm**, Central, SC (US)

(73) Assignee: **Kiyatec Inc.**, Pendleton, SC (US)

(**) Term: **14 Years**

(21) Appl. No.: **29/363,365**

(22) Filed: **Jun. 8, 2010**

(51) **LOC (9) Cl.** **24-01**

(52) **U.S. Cl.** **D24/216**

(58) **Field of Classification Search** D24/216-232;
D10/81; 422/500, 547, 549; 435/287.1,
435/288.1, 288.2, 288.4

See application file for complete search history.

(56) **References Cited**

U.S. PATENT DOCUMENTS

D315,208 S *	3/1991	Valencia	D24/224
D338,071 S *	8/1993	Kerns et al.	D24/224
D348,734 S *	7/1994	Arp	D24/224
D377,984 S *	2/1997	Lahm et al.	D24/224
D378,941 S *	4/1997	Lahm et al.	D24/224
D379,521 S *	5/1997	Stevens et al.	D24/224

D380,554 S *	7/1997	Leiva et al.	D24/224
D403,077 S *	12/1998	Bohannon et al.	D24/224
D404,497 S *	1/1999	Lahm et al.	D24/224
D431,867 S *	10/2000	Maynard et al.	D24/216
D498,850 S *	11/2004	Ukon	D24/223

* cited by examiner

Primary Examiner — Anhdao Doan

(74) *Attorney, Agent, or Firm* — Ballard Spahr LLP

(57) **CLAIM**

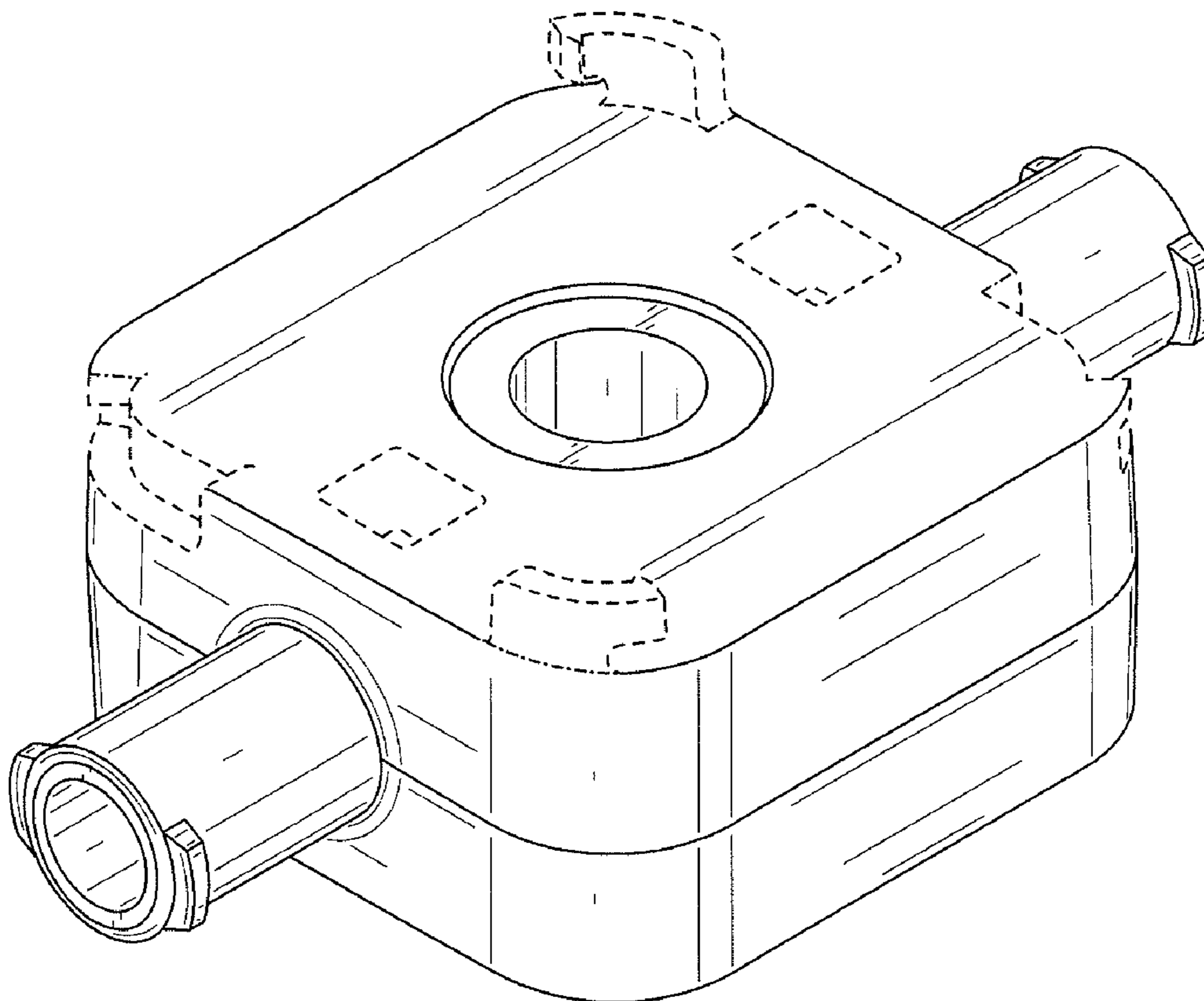
The ornamental design for a culture chamber, as shown and described.

DESCRIPTION

FIG. 1 is a bottom perspective view of a culture chamber; FIG. 2 is a top perspective view thereof; FIG. 3 is a left side elevational view thereof; FIG. 4 is a right side elevational view thereof; FIG. 5 is a front elevational view thereof; FIG. 6 is a back elevational view thereof; FIG. 7 is a top view thereof; and, FIG. 8 is a bottom view thereof.

The dash-dot lines represent the bounds of the claim, and all other broken lines are included for the purpose of illustrating the unclaimed portions of the culture chamber. None of the broken lines form a part of the claimed design.

1 Claim, 7 Drawing Sheets



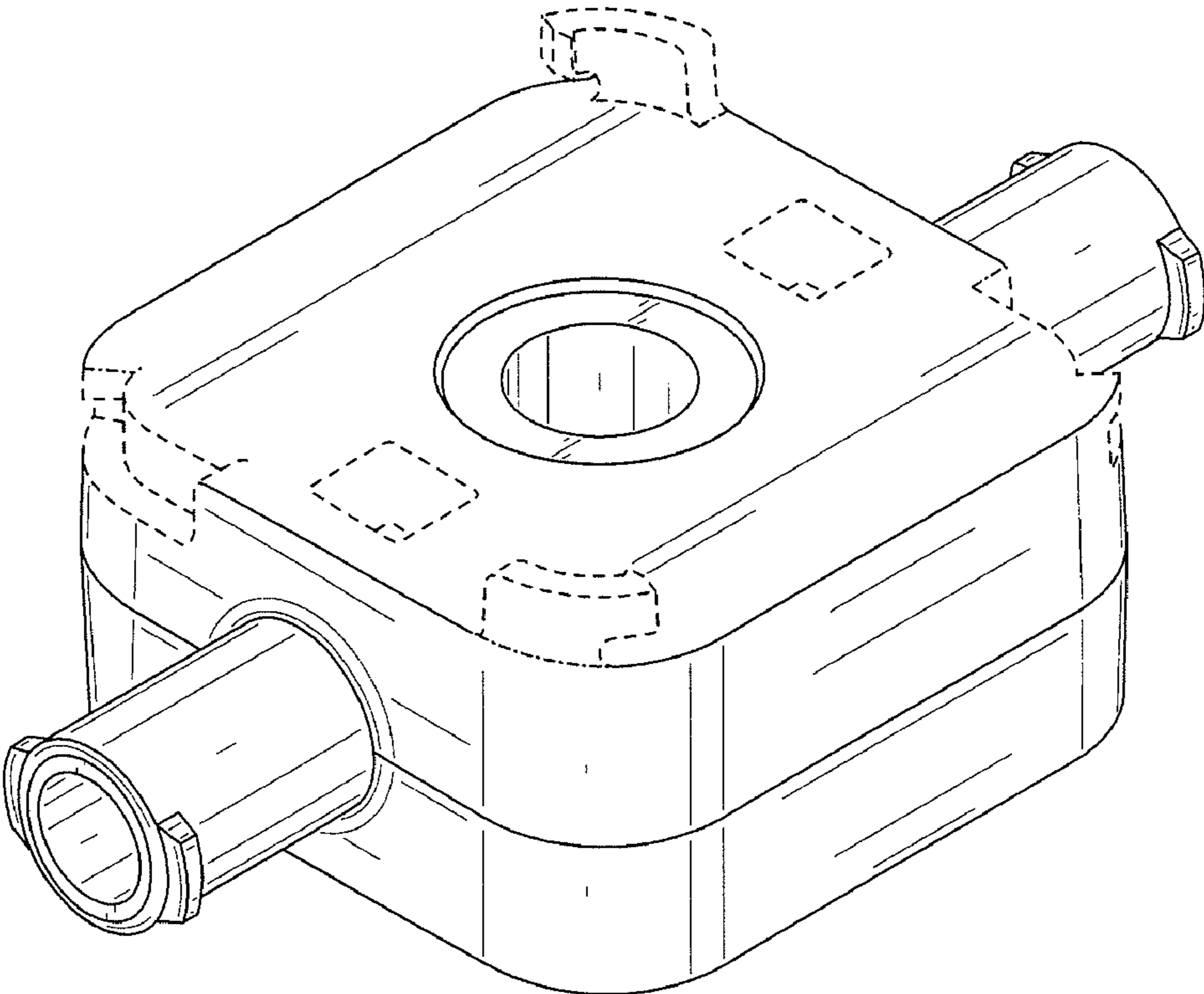


FIG. 1

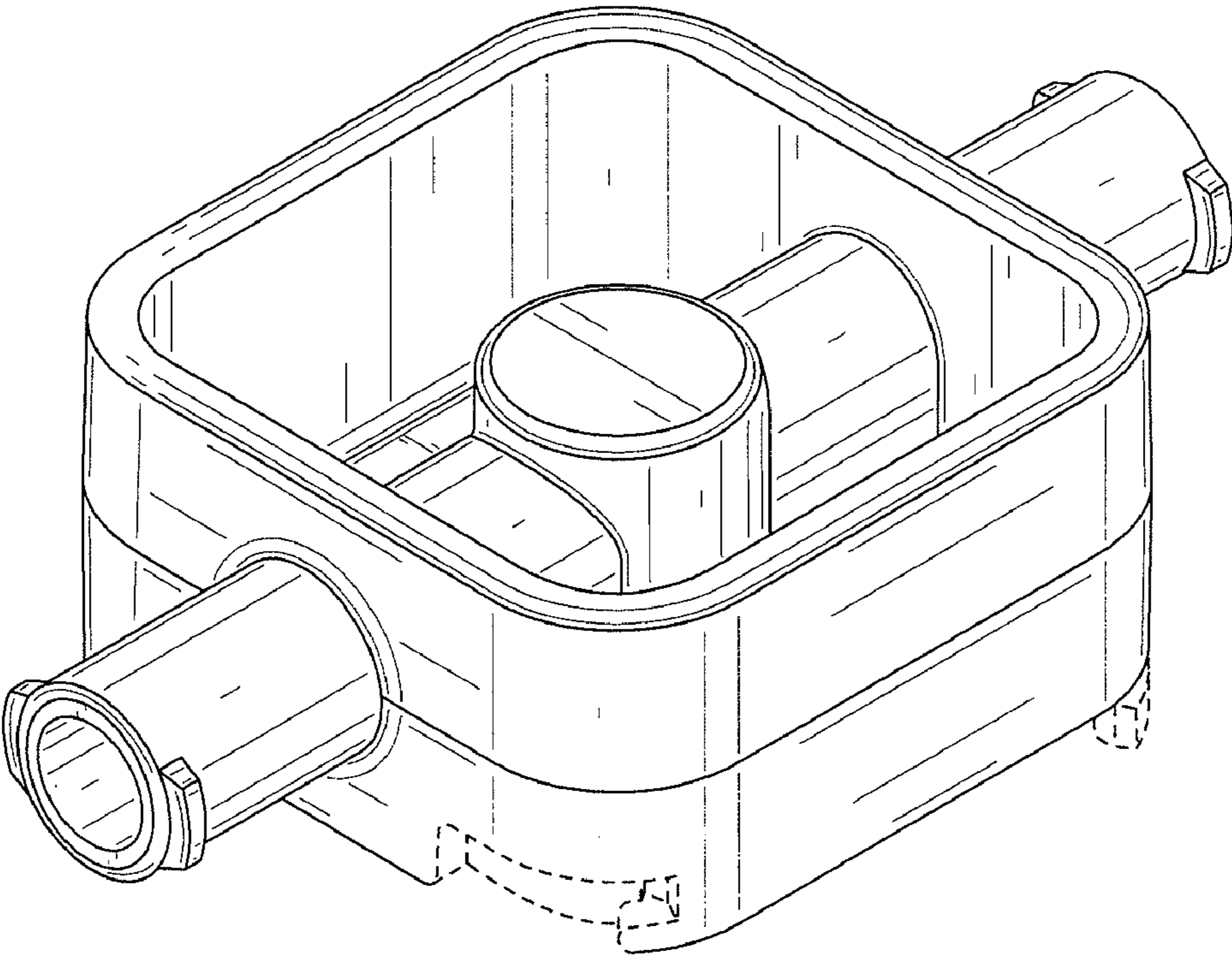


FIG. 2

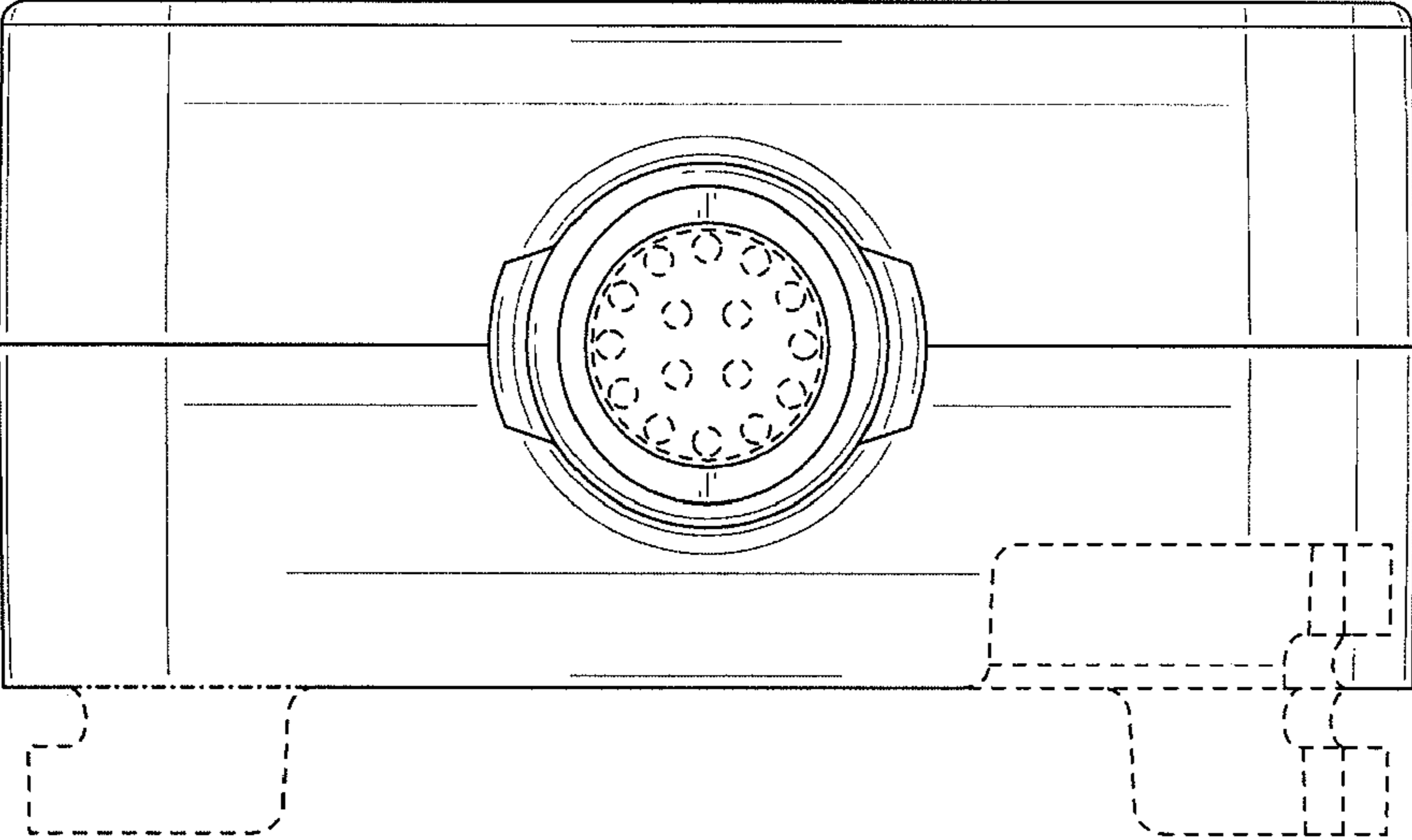


FIG. 3

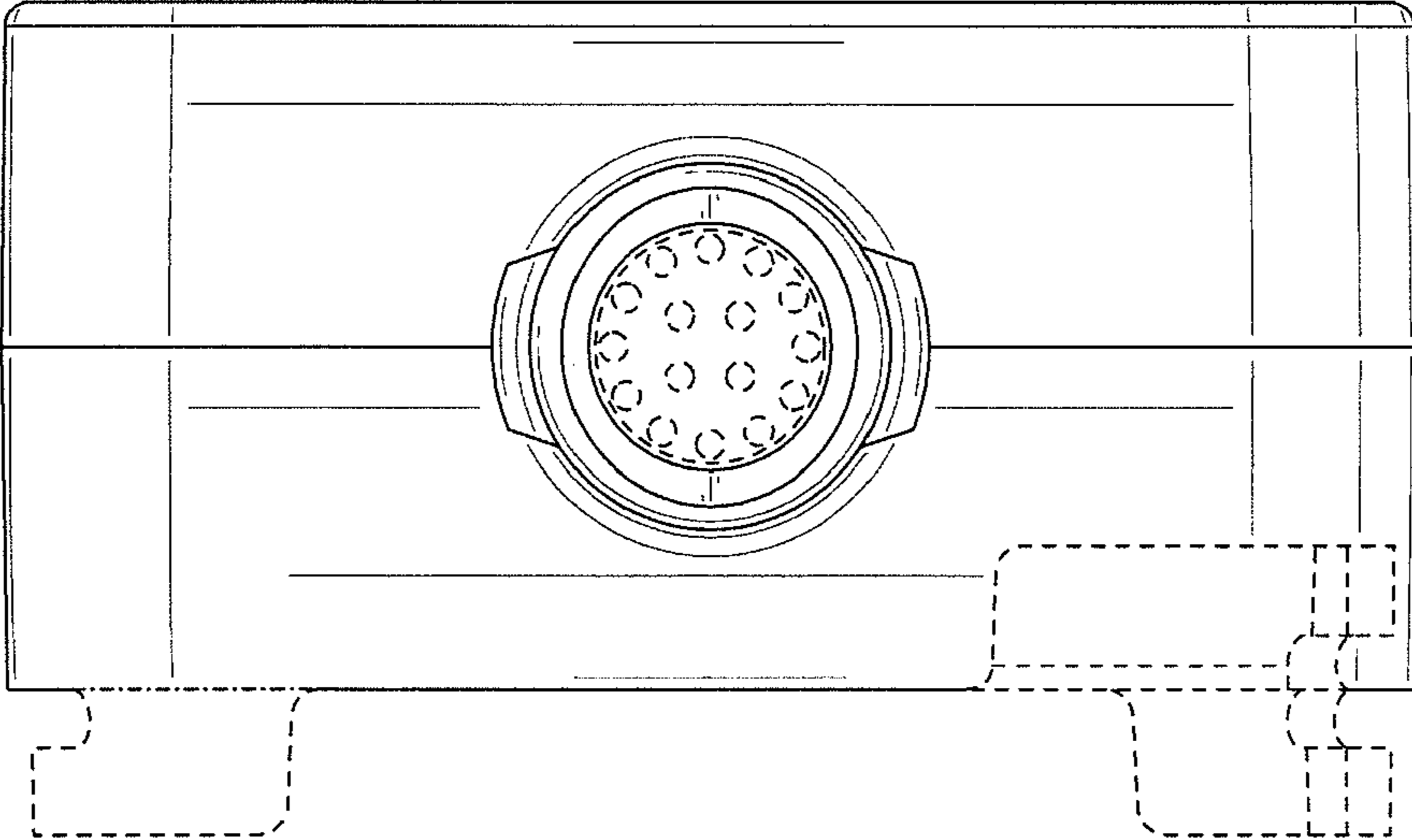


FIG. 4

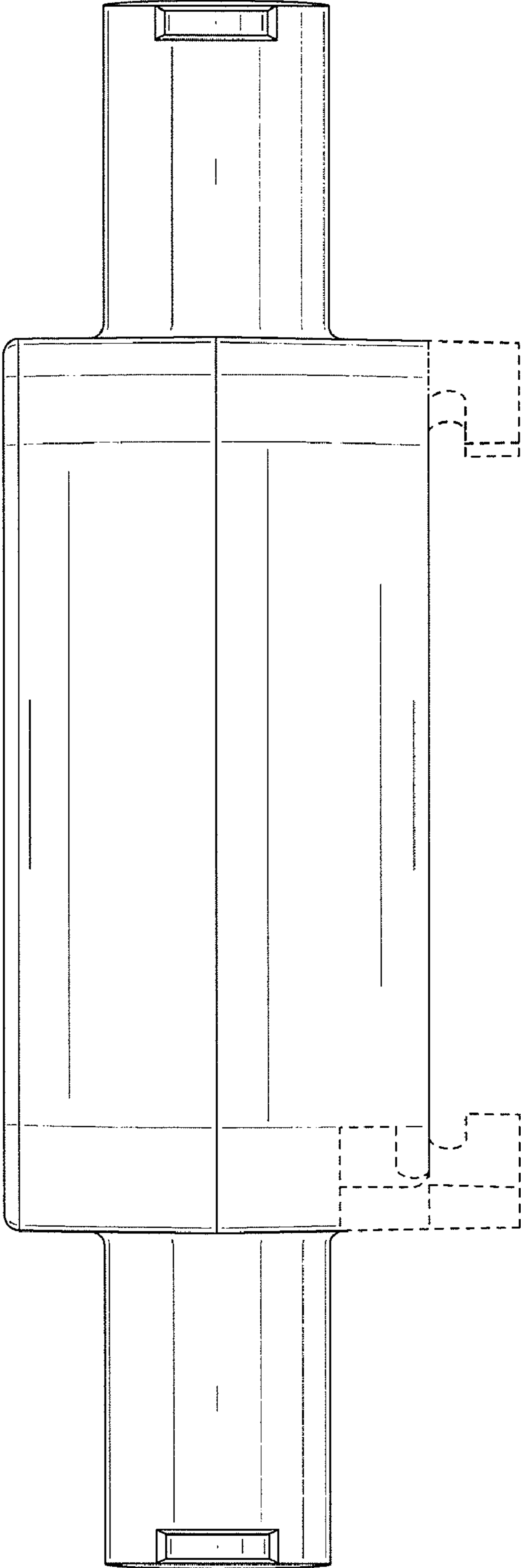


FIG. 5

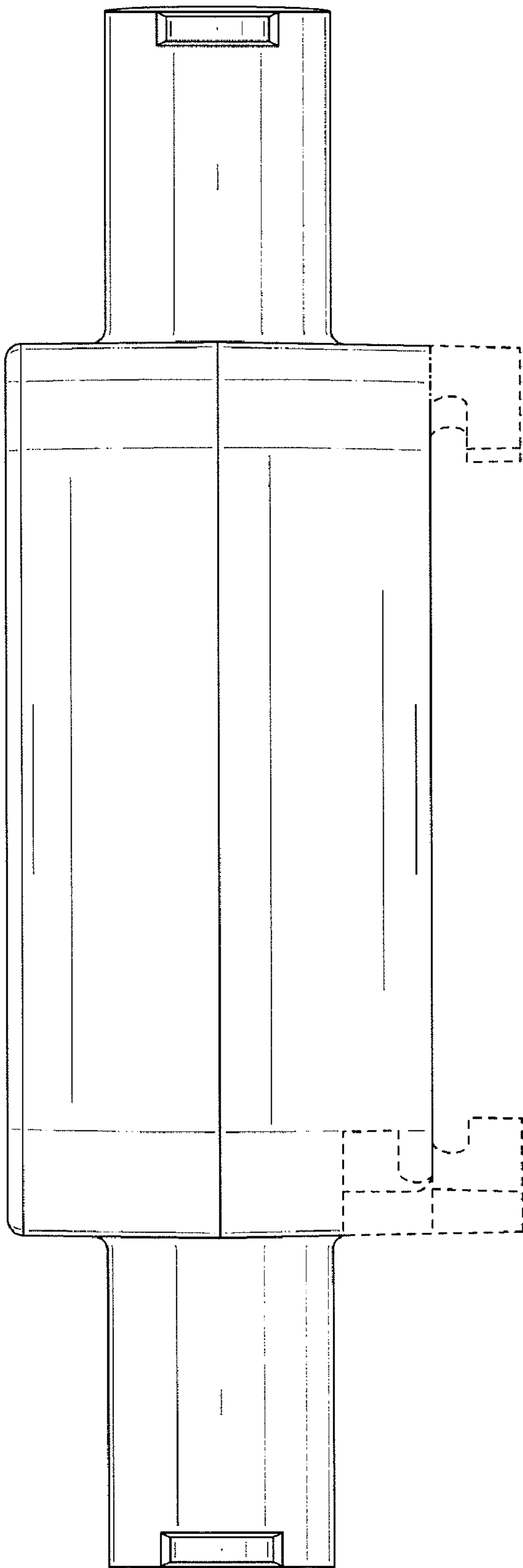


FIG. 6

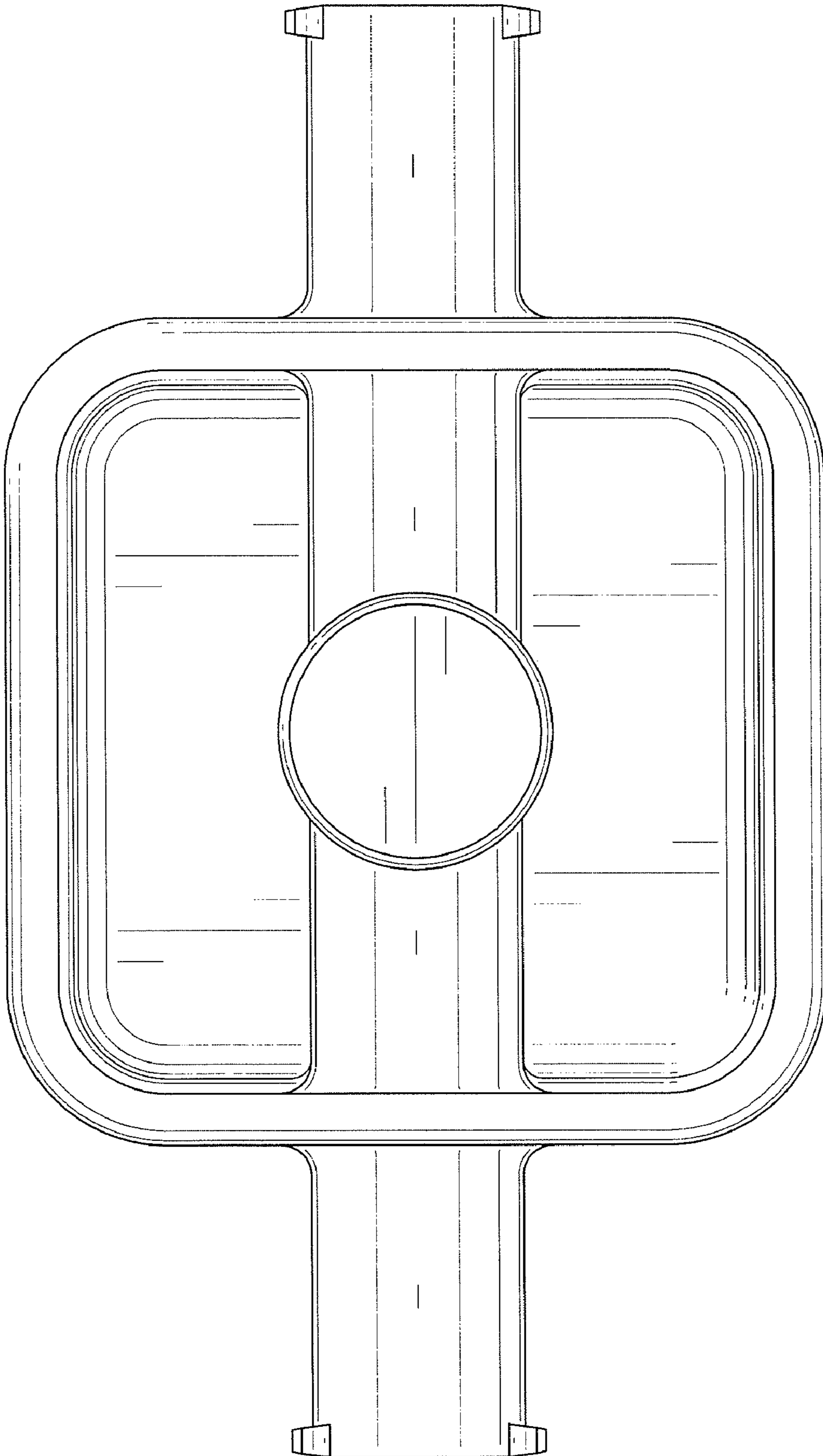


FIG. 7

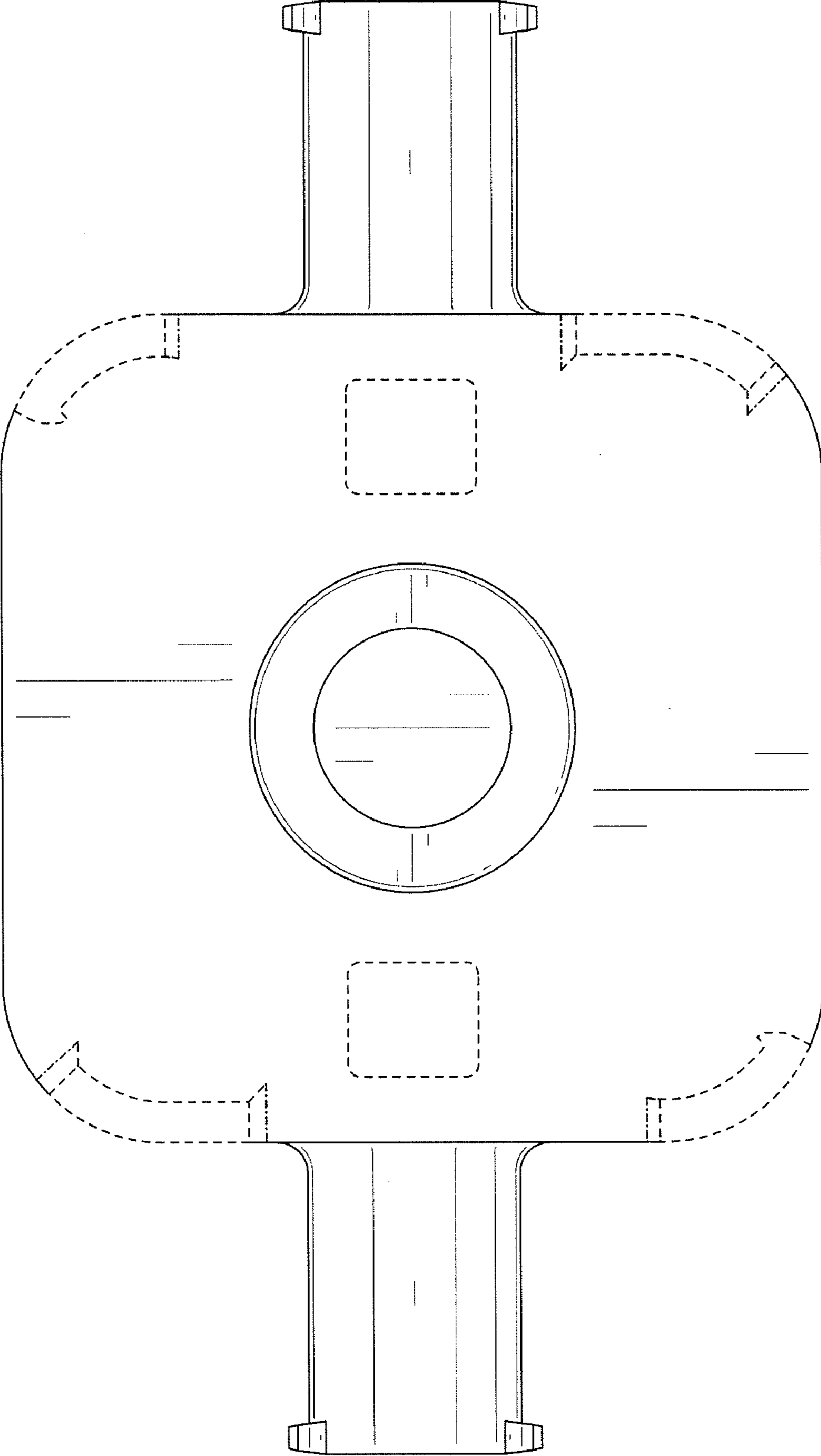


FIG. 8