



US00D658305S

(12) **United States Design Patent**
Playford

(10) **Patent No.:** **US D658,305 S**

(45) **Date of Patent:** **** Apr. 24, 2012**

(54) **THERAPEUTIC HAND-HELD LASER**

(76) Inventor: **Chad Timothy Playford**, Noblesville,
IN (US)

(**) Term: **14 Years**

(21) Appl. No.: **29/401,071**

(22) Filed: **Sep. 6, 2011**

(51) **LOC (9) Cl.** **28-03**

(52) **U.S. Cl.** **D24/209**

(58) **Field of Classification Search** D24/210,
D24/209, 200, 158, 176, 146, 152; D26/29,
D26/37, 39, 41, 104; 606/2-4, 16, 131, 15;
607/88-95; 433/29; 601/15

See application file for complete search history.

(56) **References Cited**

U.S. PATENT DOCUMENTS

D261,032	S	*	9/1981	Marucci et al.	D24/146
D264,876	S		6/1982	Seid		
4,375,964	A	*	3/1983	Knopp et al.	433/29
4,477,252	A	*	10/1984	Lieb et al.	433/29
4,614,498	A	*	9/1986	Vaccaro	433/29
D304,857	S	*	11/1989	Nordin	D24/152
D305,935	S		2/1990	Straihammer		
5,388,987	A		2/1995	Badoz		
D356,866	S	*	3/1995	Meller	D24/152
5,401,171	A		3/1995	Paghdiwala		
D463,556	S	*	9/2002	Bareth et al.	D24/152
D467,660	S	*	12/2002	Cianciosi	D24/152
D472,969	S		4/2003	Wilden		
6,558,374	B1		5/2003	Brugger		
6,769,911	B2	*	8/2004	Buchalla et al.	433/29
D533,946	S		12/2006	Lintner		

7,144,250	B2	*	12/2006	Fischer et al.	433/29
D548,342	S	*	8/2007	Cohen	D24/146
D574,081	S		7/2008	Berry Pitts et al.		
D580,054	S		11/2008	Thomssen		
D587,803	S		3/2009	Di Sessa		
D600,347	S		9/2009	Klee		
D604,412	S		11/2009	Kobayashi		
D627,471	S	*	11/2010	Mueller et al.	D24/176
D634,014	S	*	3/2011	Noui	D24/176
D639,945	S		6/2011	George		

* cited by examiner

Primary Examiner — David Muller

(74) *Attorney, Agent, or Firm* — QuickPatents, Inc.; Kevin Prince

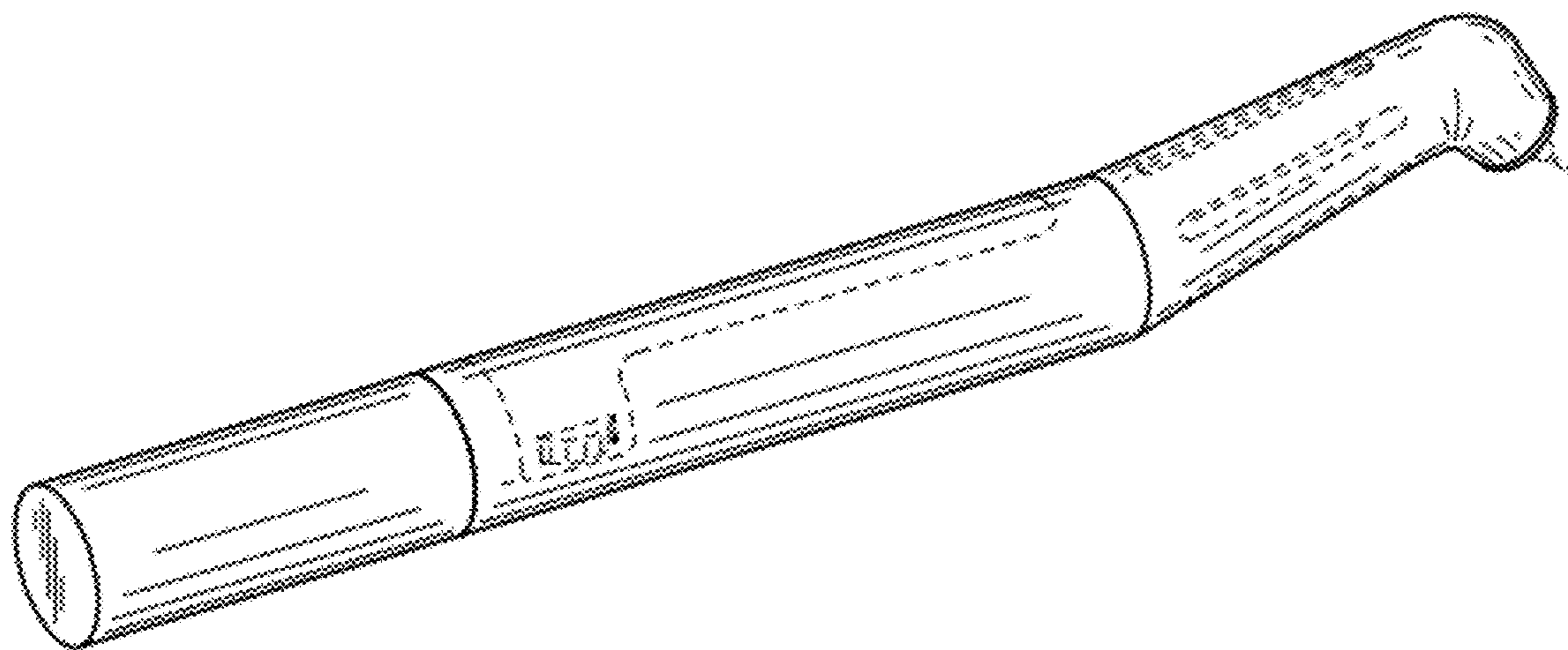
(57) **CLAIM**

I claim the ornamental design for a therapeutic hand-held laser, as shown and described.

DESCRIPTION

FIG. 1 is a perspective view of a therapeutic hand-held laser, showing my new design;
FIG. 2 is a right-side elevational view thereof, the left-side elevational view being a mirror image thereof;
FIG. 3 is a bottom plan view thereof;
FIG. 4 is a top plan view thereof;
FIG. 5 is a rear elevational view thereof; and,
FIG. 6 is a front elevational view thereof.
The broken lines showing a laser tip, controls and neck apertures in the figures depict environmental matter and form no part of the claimed design.

1 Claim, 2 Drawing Sheets



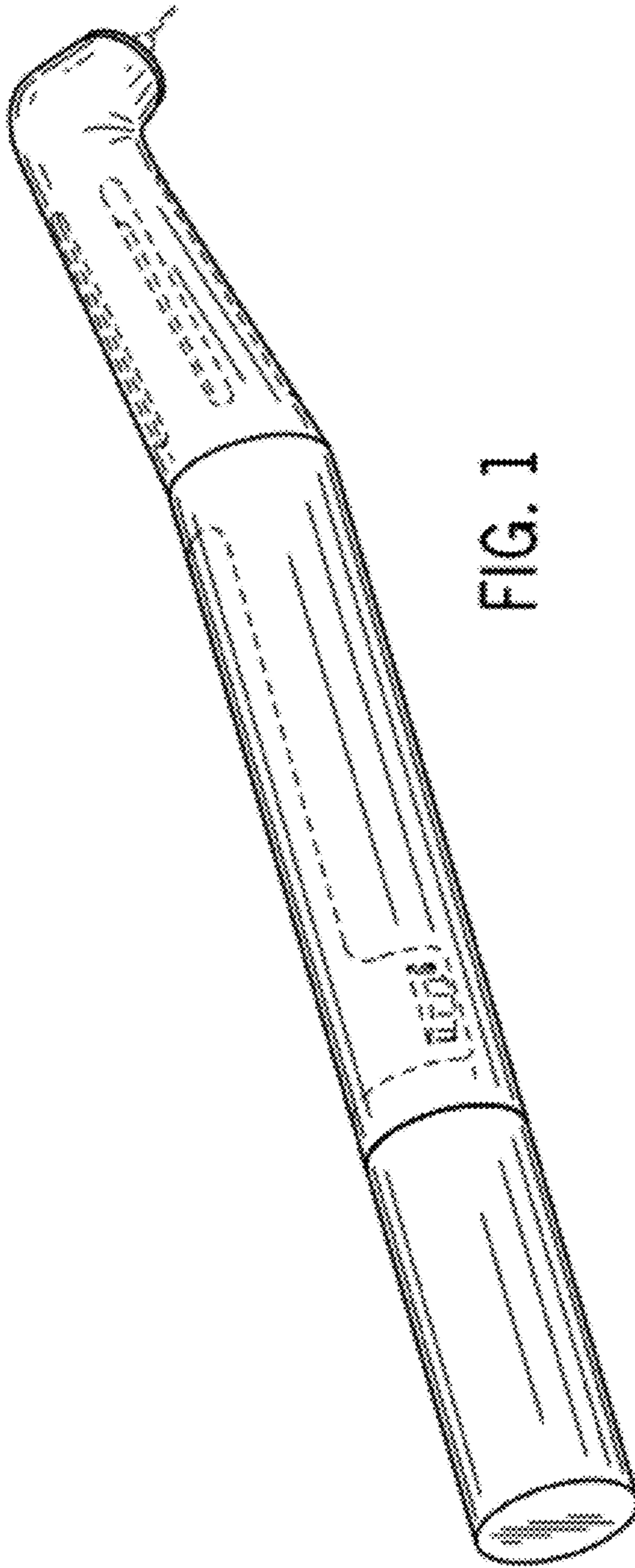


FIG. 1

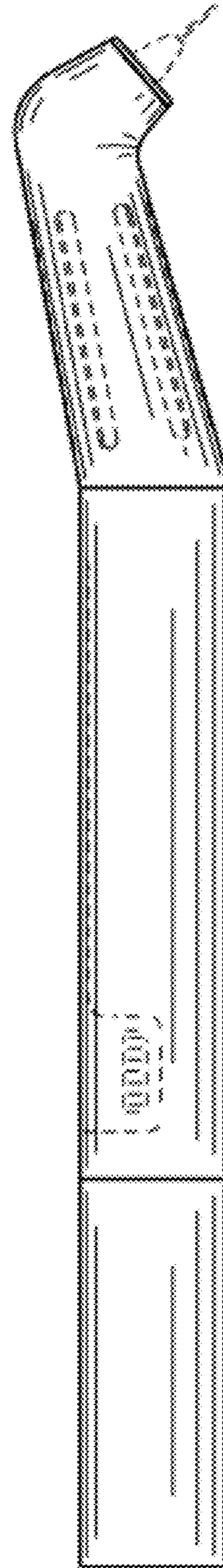


FIG. 2

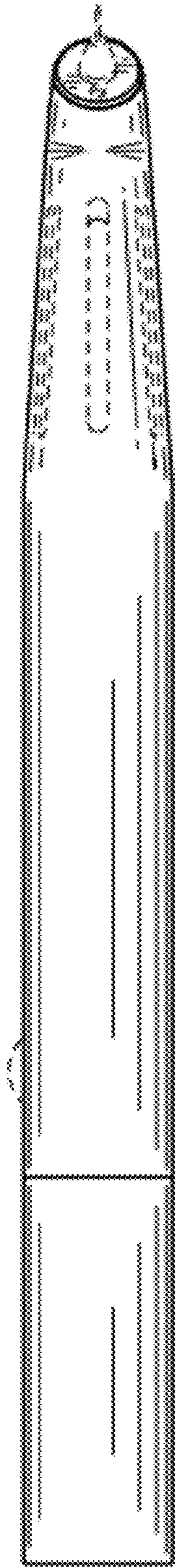


FIG. 3

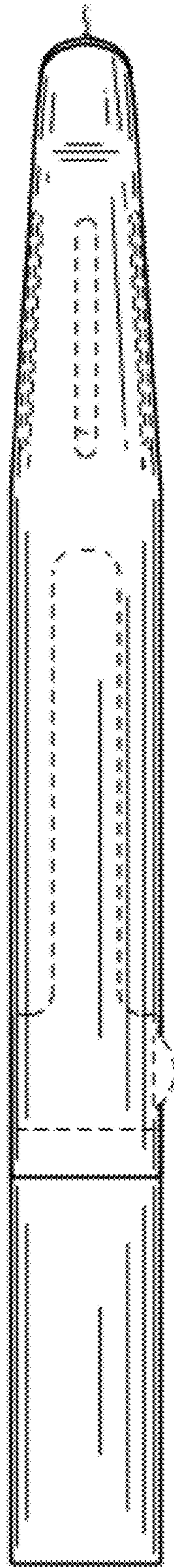


FIG. 4

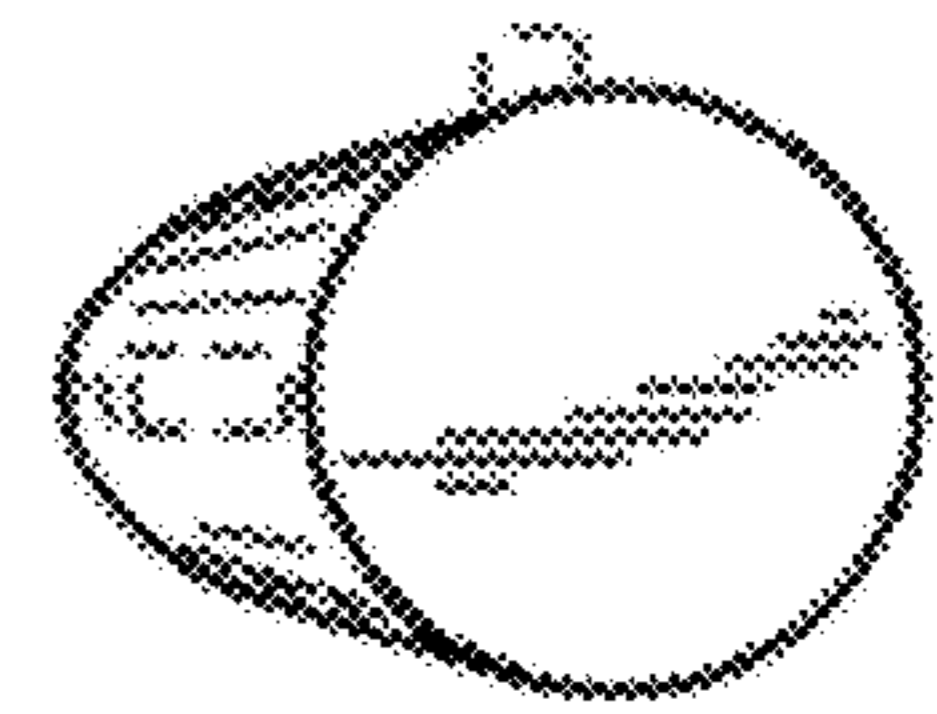


FIG. 6

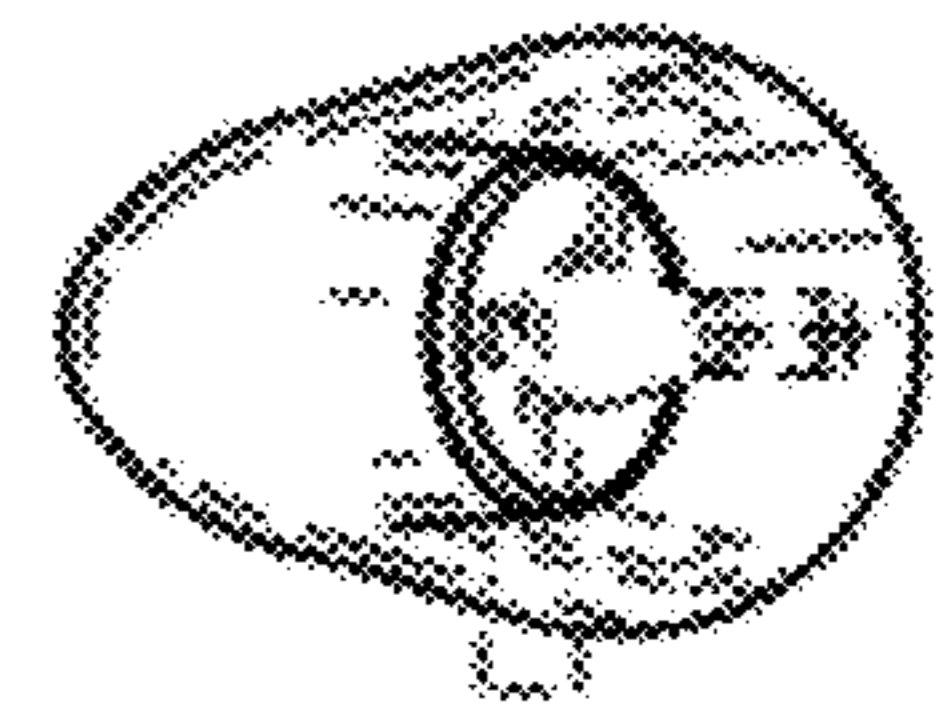


FIG. 5