



US00D658302S

(12) **United States Design Patent**  
**Nixon**

(10) **Patent No.:** **US D658,302 S**

(45) **Date of Patent:** **\*\* Apr. 24, 2012**

(54) **HAND BRACE**

(76) **Inventor:** **Amy H. Nixon**, Littleton, CO (US)

(\*\*) **Term:** **14 Years**

(21) **Appl. No.:** **29/398,602**

(22) **Filed:** **Aug. 2, 2011**

(51) **LOC (9) Cl.** ..... **24-01**

(52) **U.S. Cl.** ..... **D24/190**

(58) **Field of Classification Search** ..... D24/189-190,  
D24/110.1, 206, 209; D29/100, 113-114,  
D29/120.1, 121.1, 122-123; D2/610; 602/4-6,  
602/19, 21-22, 30, 36, 42, 60-64; 2/16-17,  
2/22-24, 44; D6/601

See application file for complete search history.

(56) **References Cited**

**U.S. PATENT DOCUMENTS**

1,619,513	A *	3/1927	Hittenberger	.....	128/96.1
3,695,258	A *	10/1972	Castle	.....	602/6
3,888,244	A *	6/1975	Lebold	.....	602/4
4,649,909	A *	3/1987	Thompson	.....	602/42
D296,930	S *	7/1988	Carabelli	.....	D24/190
4,807,606	A	2/1989	Hasegawa et al.		
D310,433	S *	9/1990	Zierke	.....	D29/121.1
5,069,203	A	12/1991	Anderson		
D333,403	S *	2/1993	Perrone	.....	D6/601
D334,827	S *	4/1993	Brown	.....	D29/121.1
D363,146	S *	10/1995	Pando	.....	D29/113
D383,545	S *	9/1997	Doyle	.....	D24/190
D389,581	S *	1/1998	Fein	.....	D24/189

5,733,249	A	3/1998	Katzin et al.		
5,827,207	A	10/1998	MacMorran		
D429,818	S *	8/2000	Lamping et al.	.....	D24/206
6,117,096	A *	9/2000	Hassard	.....	602/19
D431,883	S *	10/2000	Obadiaru et al.	.....	D29/121.1
D444,918	S *	7/2001	Suter	.....	D29/100
D477,086	S *	7/2003	Tsuruda et al.	.....	D24/189
D506,293	S *	6/2005	Trawinski	.....	D29/120.1
6,913,582	B2	7/2005	Chen et al.		
D530,418	S *	10/2006	Henry et al.	.....	D24/110.1
D565,740	S *	4/2008	Sybrandts	.....	D24/209
D590,648	S *	4/2009	Rahimian	.....	D6/601
D612,543	S *	3/2010	Marseille	.....	D29/120.1
D618,810	S *	6/2010	Tanigawa et al.	.....	D24/189
7,865,970	B2 *	1/2011	Giacheri	.....	2/22

\* cited by examiner

*Primary Examiner* — Susan E Krakower

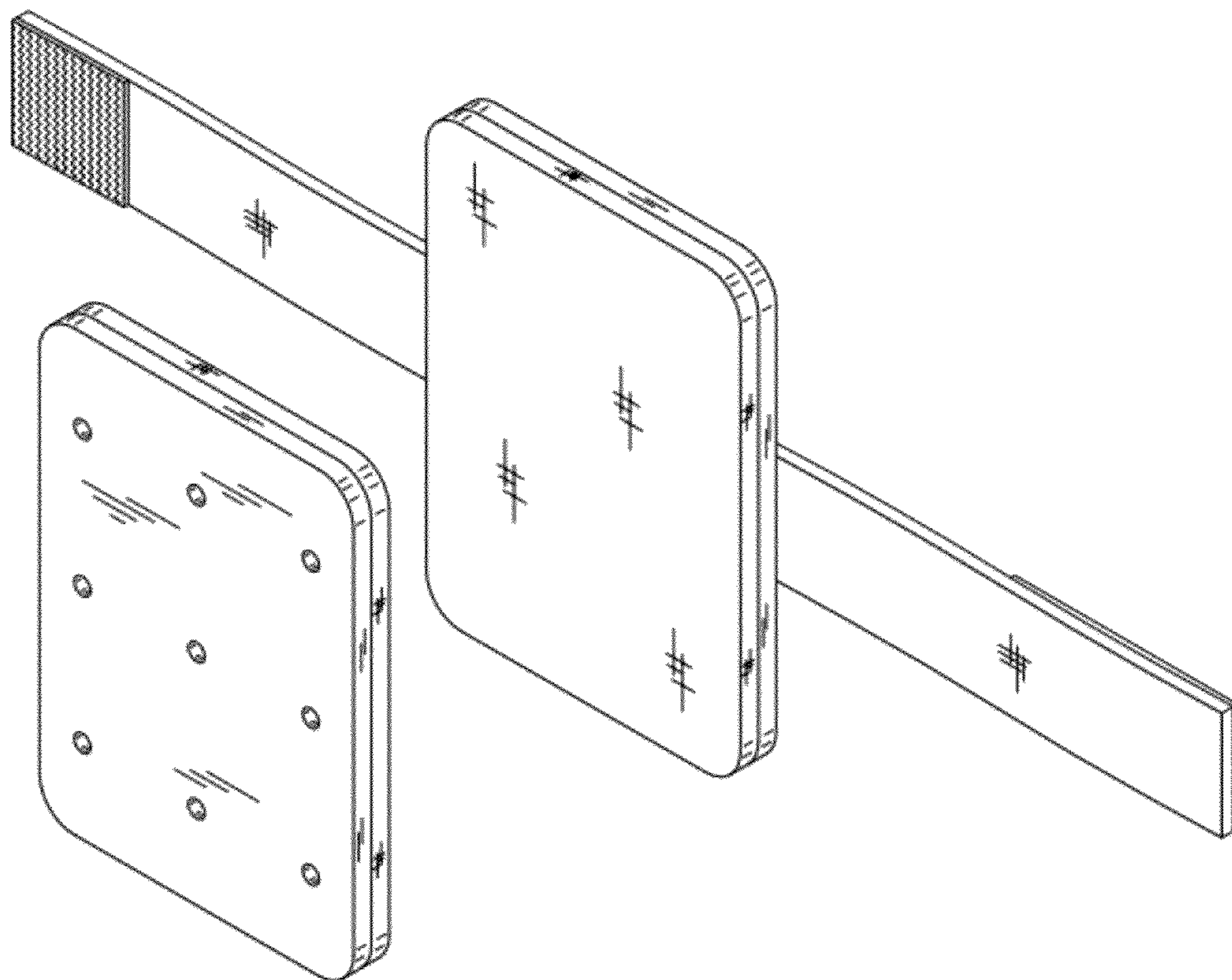
(57) **CLAIM**

The ornamental design for a hand brace, as shown and described.

**DESCRIPTION**

FIG. 1 is a front elevation view of a hand brace showing my new design with a second pad separated from a base pad and a strap attached thereto for clarity; FIG. 2 is a rear elevation view thereof; FIG. 3 is a right elevation view thereof; FIG. 4 is a left elevation view thereof; FIG. 5 is a top plan view thereof, the opposite side being a mirror image of the shown; and, FIG. 6 is an isometric view thereof.

**1 Claim, 5 Drawing Sheets**



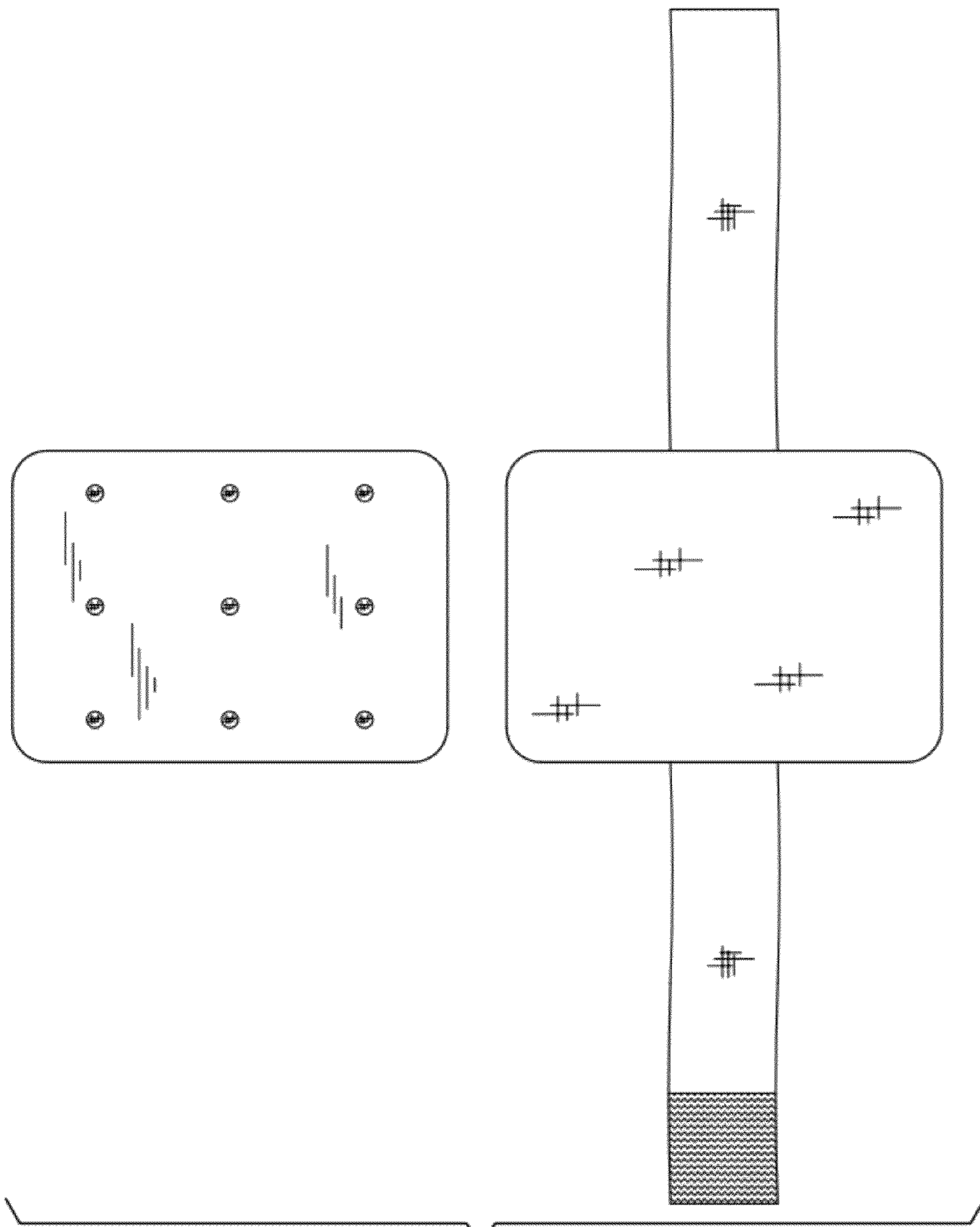


FIG. 1

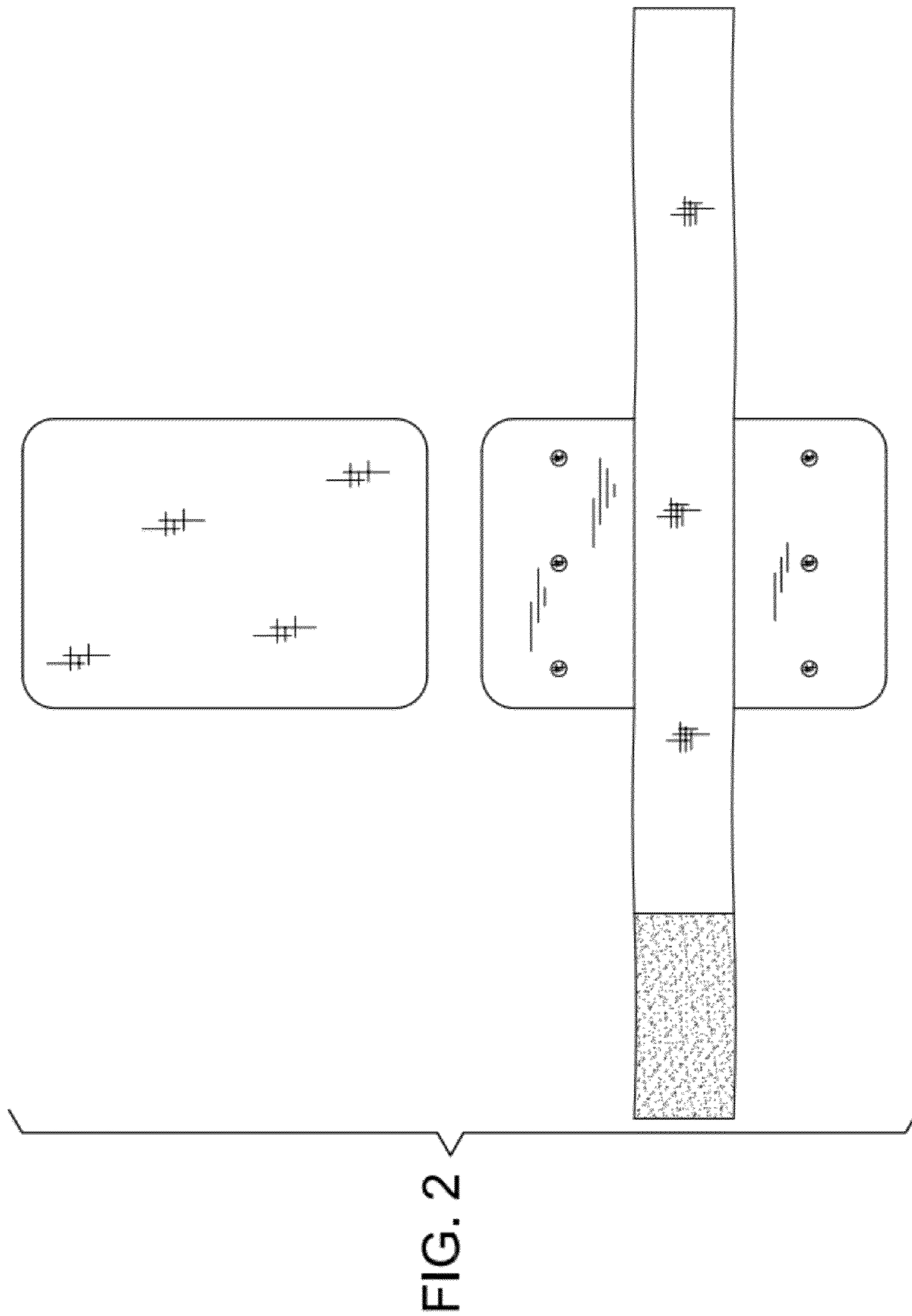


FIG. 3

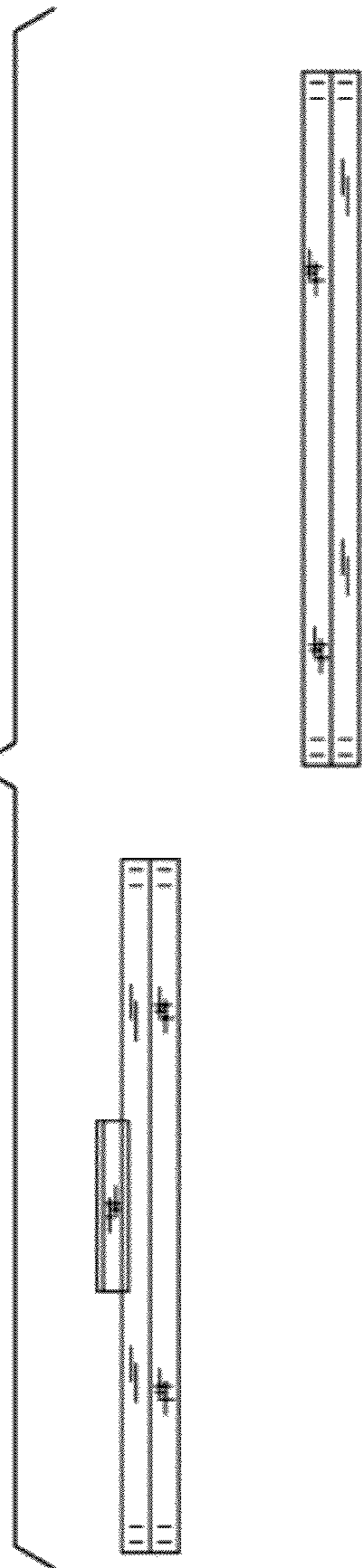
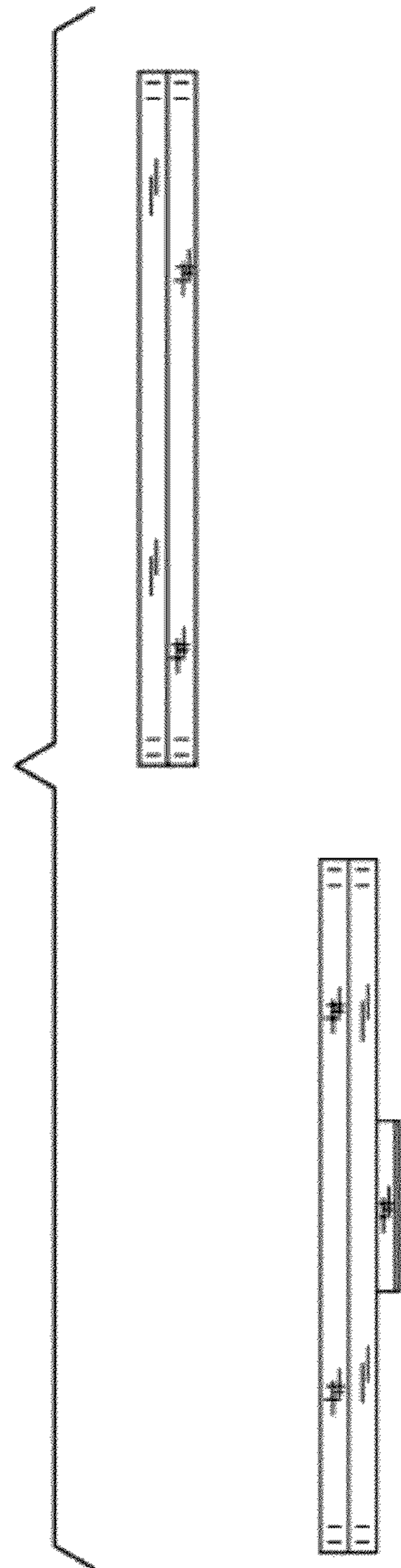


FIG. 4



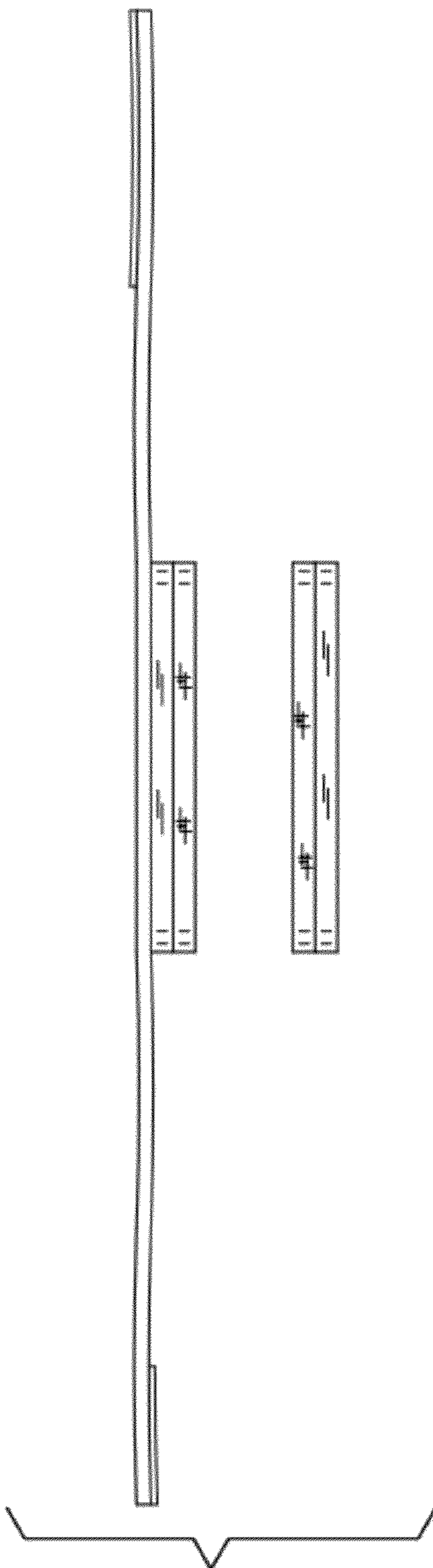


FIG. 5

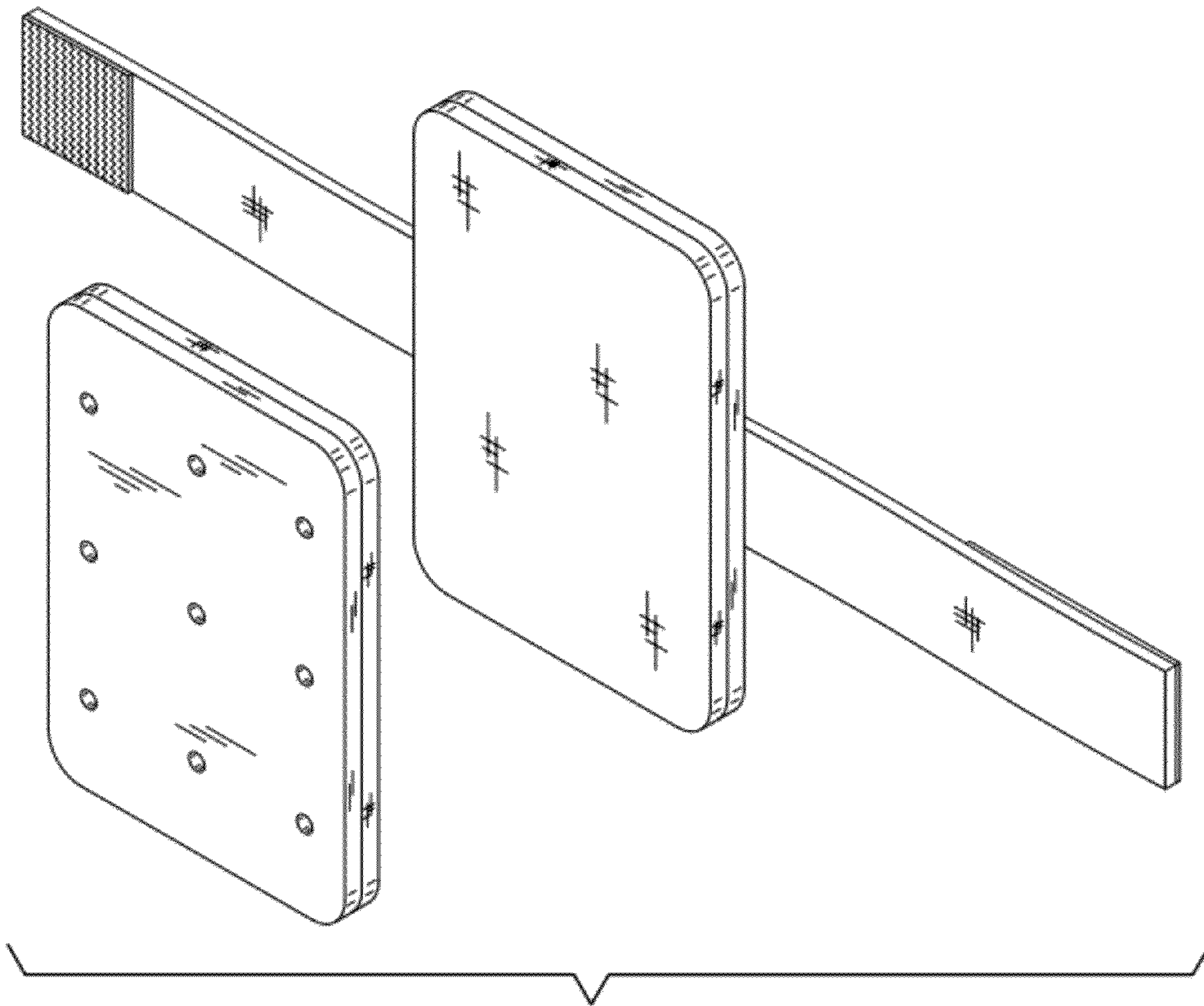


FIG. 6