



US00D658298S

(12) **United States Design Patent**
Prpa

(10) **Patent No.:** **US D658,298 S**

(45) **Date of Patent:** **** Apr. 24, 2012**

(54) **TABLE TOP IMPLANT TRACKING DEVICE**

(76) **Inventor:** **Branko Prpa, Racine, WI (US)**

(**) **Term:** **14 Years**

(21) **Appl. No.:** **29/403,944**

(22) **Filed:** **Oct. 13, 2011**

(51) **LOC (9) Cl.** **24-02**

(52) **U.S. Cl.** **D24/186**

(58) **Field of Classification Search** D24/127,
D24/133, 186-187, 200, 206-207, 214, 231-232;
600/49, 300, 301, 368, 372, 481, 529, 544,
600/554, 561; 607/4, 5, 9, 30, 48, 60; 128/846,
128/888, 899, 903-904; D10/46-47, 70,
D10/104.1; 206/16

See application file for complete search history.

(56) **References Cited**

U.S. PATENT DOCUMENTS

D346,977 S *	5/1994	Fiske	D10/47
D356,044 S *	3/1995	Clements	D10/104.1
D374,829 S *	10/1996	Yue	D10/47
D410,399 S *	6/1999	De Torfino	D10/46
6,026,328 A *	2/2000	Peckham et al.	607/48
D459,245 S *	6/2002	Power	D10/47
D459,246 S *	6/2002	Power et al.	D10/47
D497,559 S *	10/2004	Johnson	D10/47
D512,656 S *	12/2005	Yeung	D10/47
D513,706 S *	1/2006	Johnson	D10/47
D583,261 S *	12/2008	Johnson et al.	D10/47
D596,299 S *	7/2009	Han et al.	D24/186

D614,980 S *	5/2010	Junes	D10/70
D614,981 S *	5/2010	Junes	D10/70
D616,991 S *	6/2010	Kitayama	D24/186
7,813,809 B2 *	10/2010	Strother et al.	607/60
D629,525 S *	12/2010	Ladwig et al.	D24/187
D630,756 S *	1/2011	Kitayama	D24/187
D642,690 S *	8/2011	Altmann et al.	D24/186
2011/0060386 A1 *	3/2011	Woods et al.	607/60
2011/0114514 A1 *	5/2011	Bagozzi et al.	206/216

* cited by examiner

Primary Examiner — T. Chase Nelson

Assistant Examiner — Mark Cavanna

(74) *Attorney, Agent, or Firm* — Whyte Hirschboeck Dudek S.C.

(57) **CLAIM**

The ornamental design for a table top implant tracking device, as shown and described.

DESCRIPTION

FIG. 1 is a perspective view of a table top implant tracking device showing my new design;

FIG. 2 is a front elevation view thereof;

FIG. 3 is a top plan view thereof;

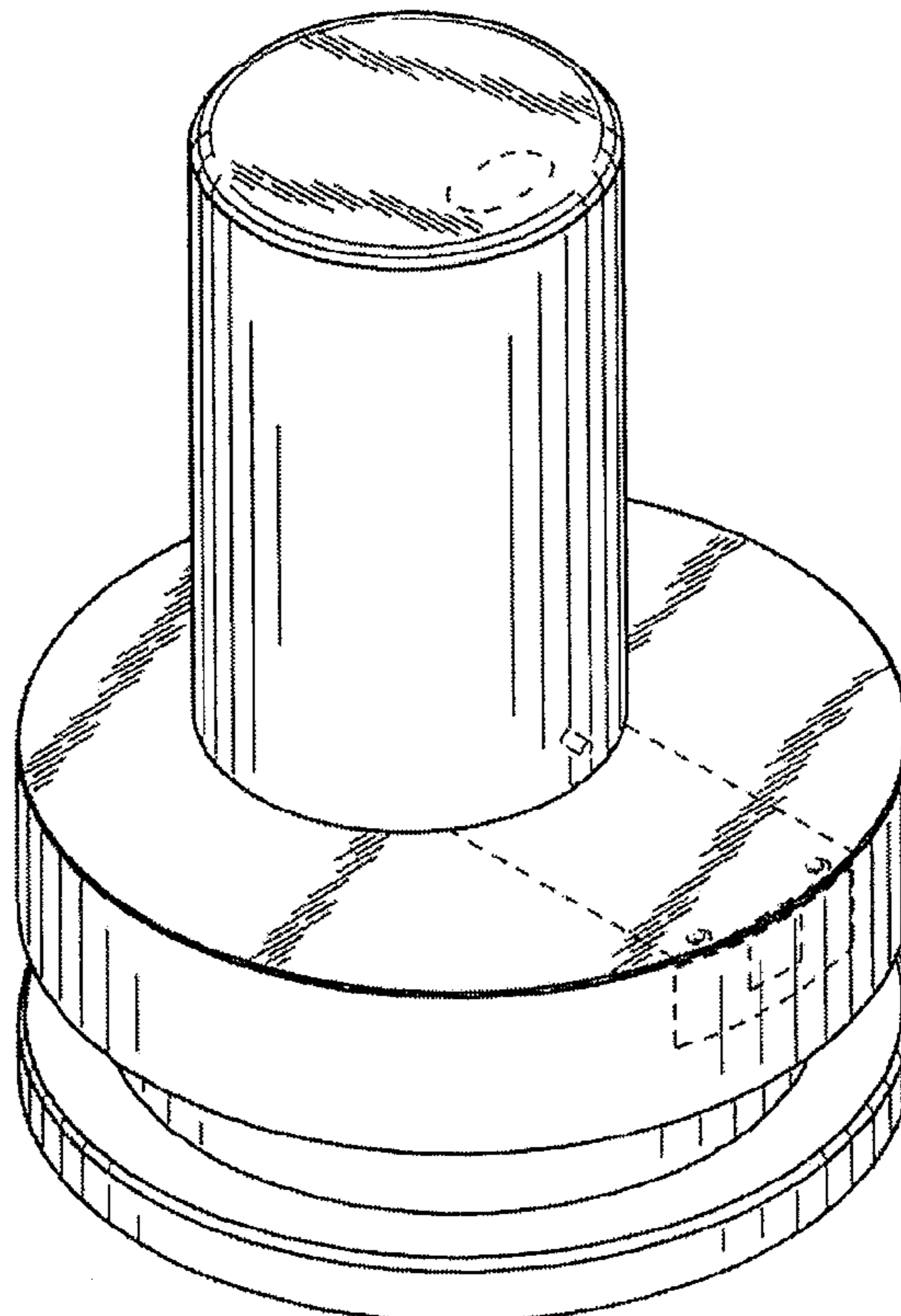
FIG. 4 is a left elevation view thereof;

FIG. 5 is a right elevation view thereof; and,

FIG. 6 is a bottom plan view thereof.

The broken lines are included for the purpose of illustrating portions of the table top implant tracking device that form no part of the claimed design.

1 Claim, 3 Drawing Sheets



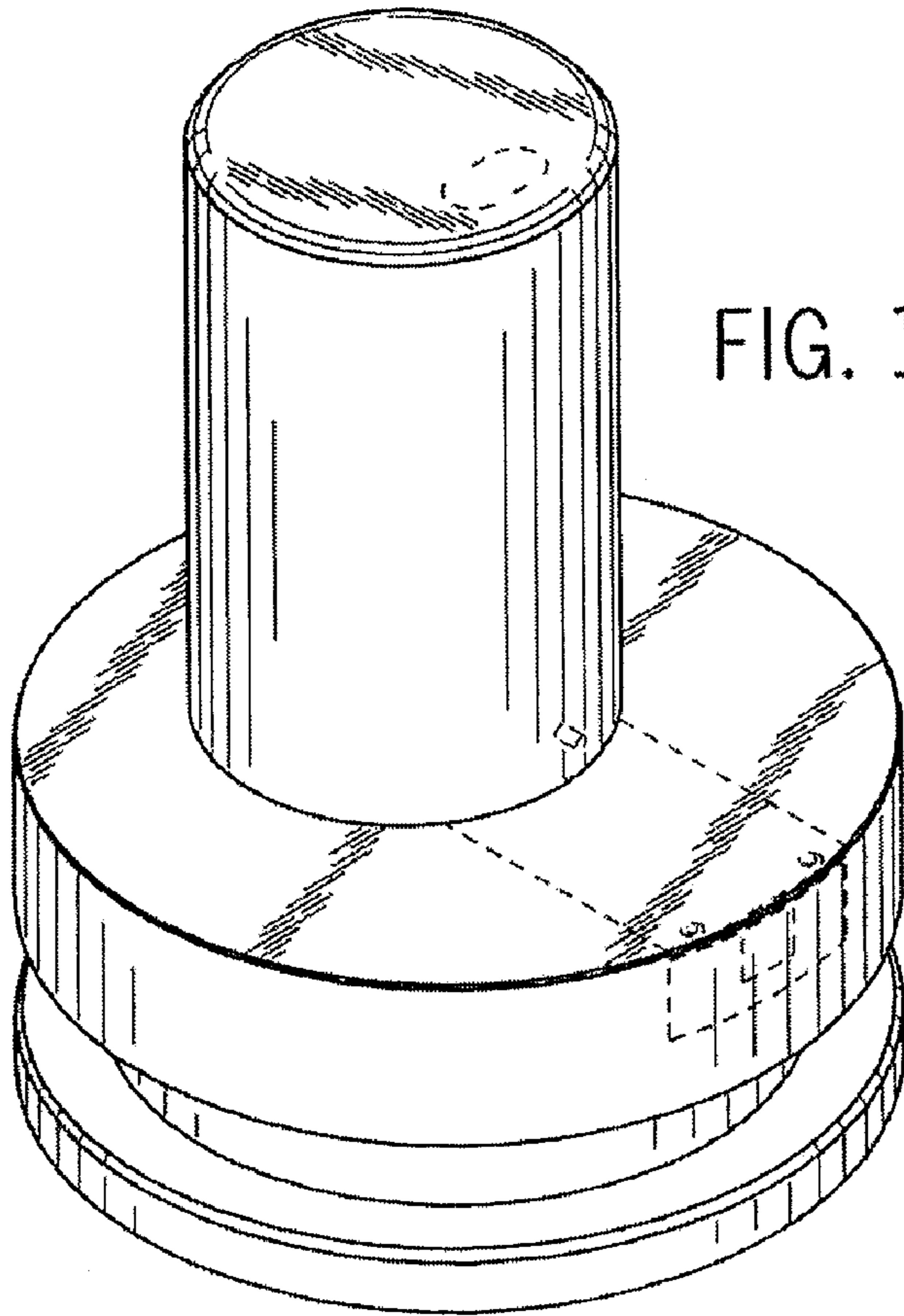


FIG. 1

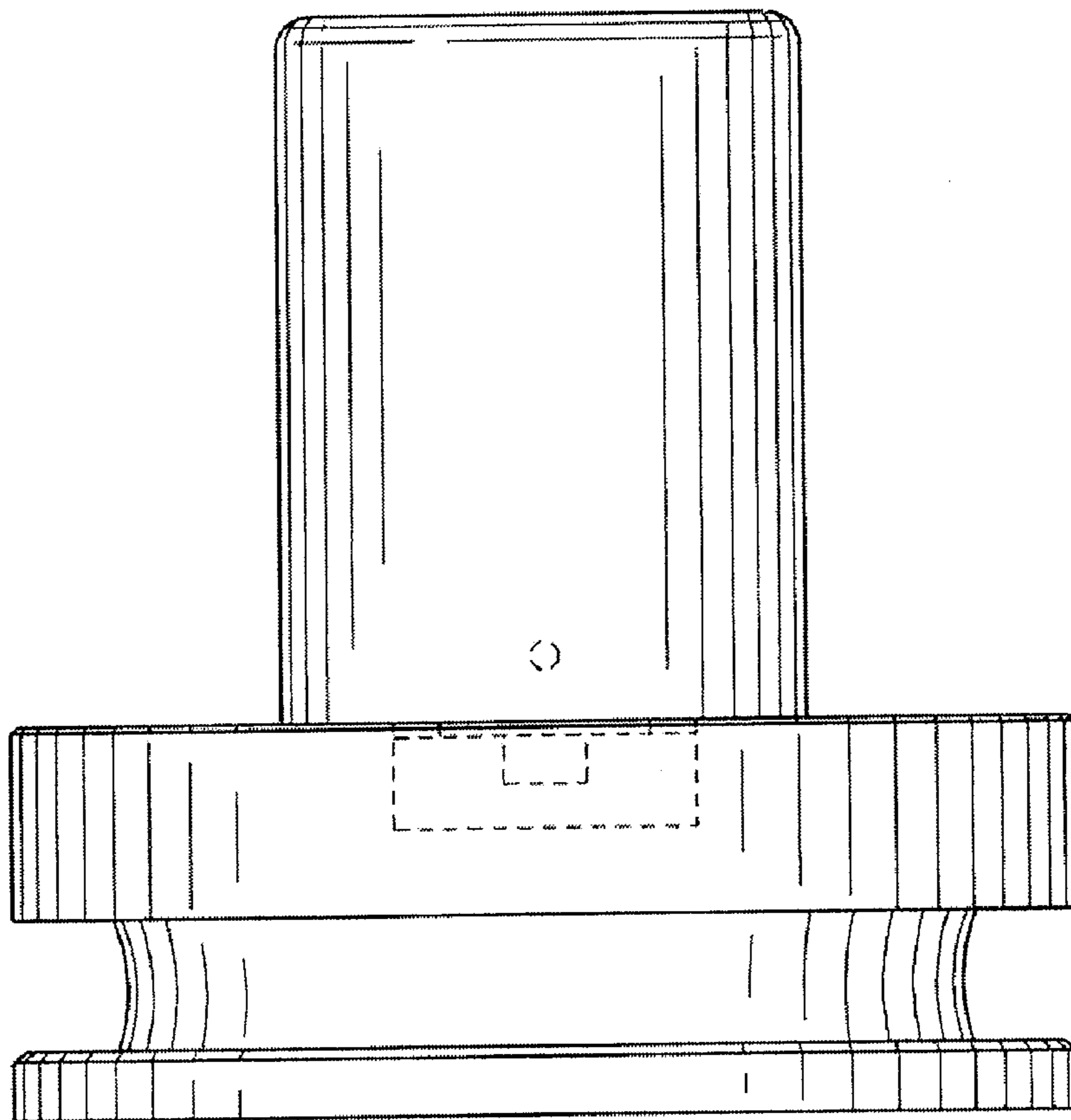


FIG. 2

FIG. 3

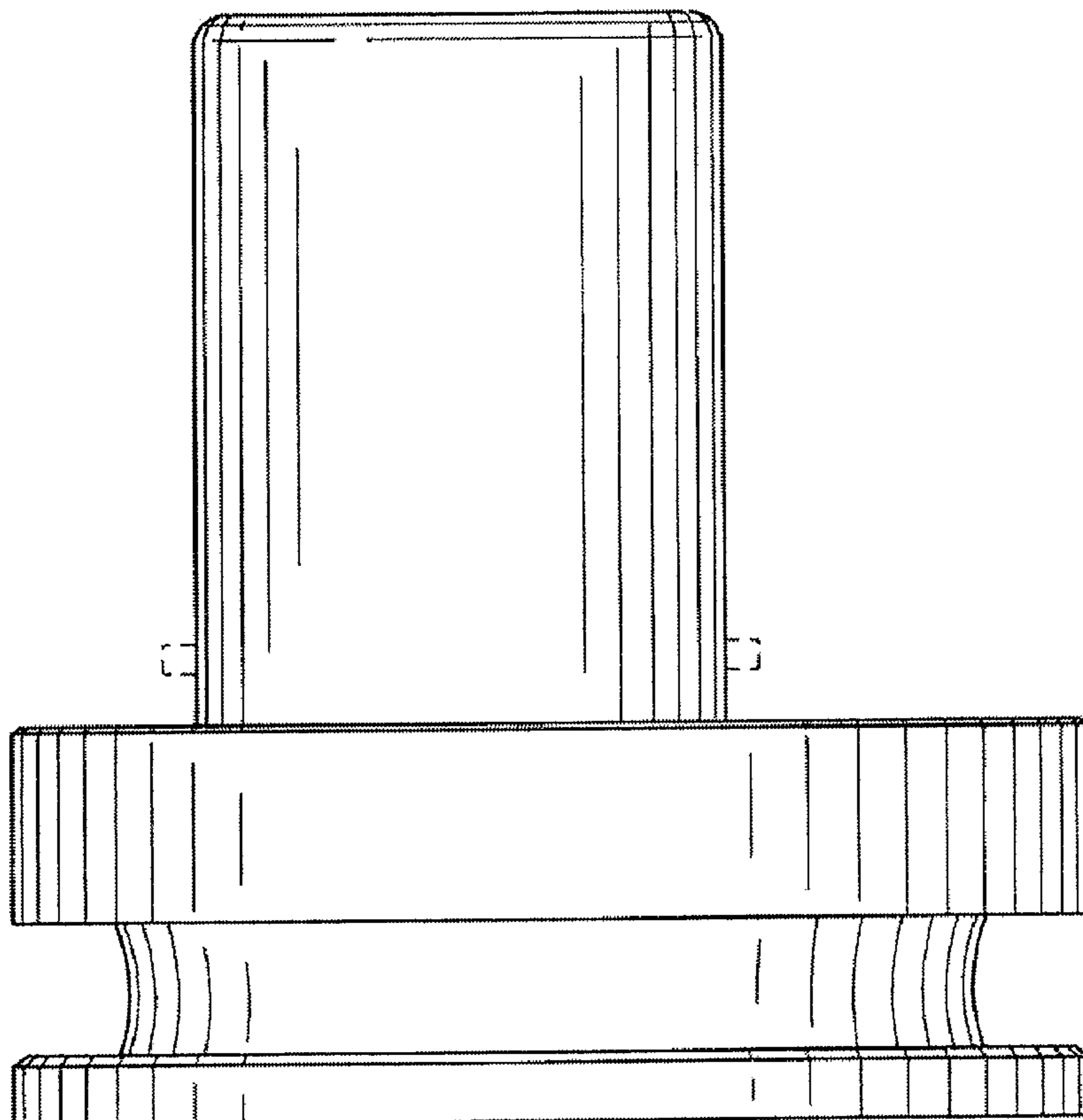
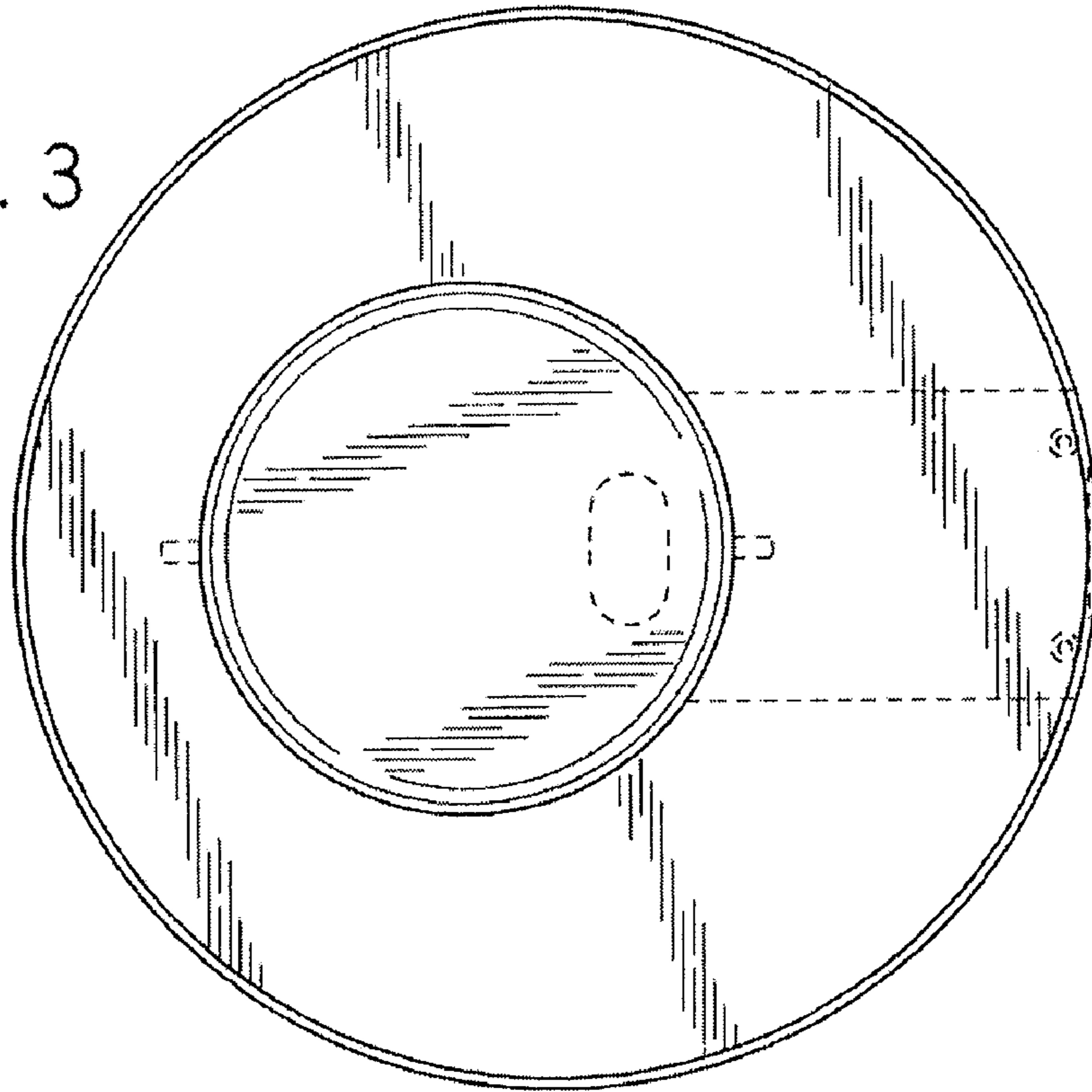


FIG. 4

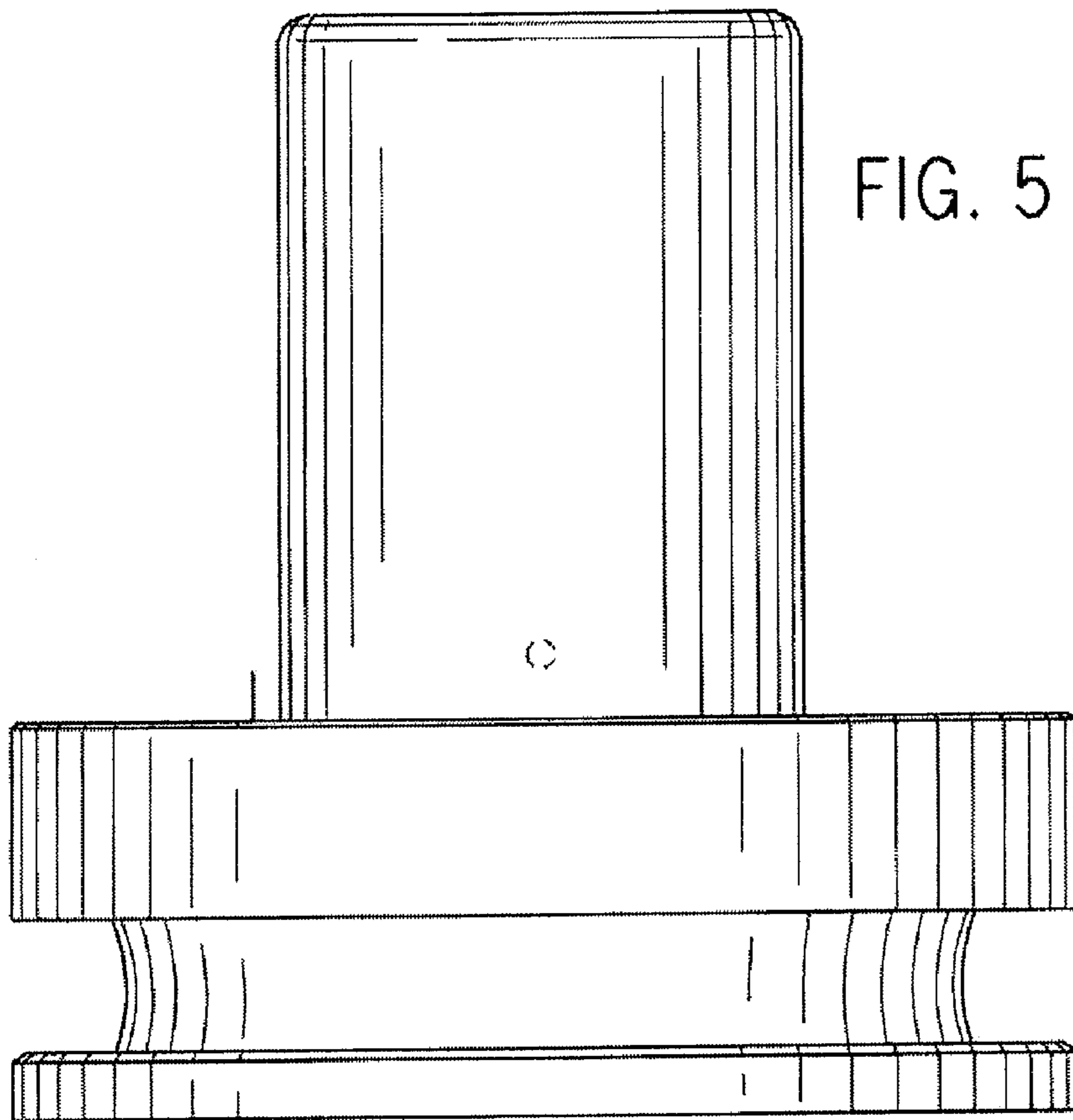


FIG. 6

