



US00D658297S

(12) **United States Design Patent**  
**Powers et al.**

(10) **Patent No.:** **US D658,297 S**

(45) **Date of Patent:** **\*\* Apr. 24, 2012**

(54) **PEDIATRIC MODE KEY FOR  
DEFIBRILLATOR**

(75) Inventors: **Daniel J. Powers**, Issaquah, WA (US);  
**Kurt Fischer**, Lynnwood, WA (US);  
**Christian Richard**, Shoreline, WA (US);  
**Jacco Eerden**, Kirkland, WA (US);  
**Patrick Hauge**, Bellevue, WA (US);  
**Hans Griesser**, Bainbridge Island, WA  
(US); **Zebrick Roach**, Seattle, WA (US);  
**Ken Rucker**, Mill Creek, WA (US)

(73) Assignee: **Koninklijke Philips Electronics N.V.**,  
Eindhoven (NL)

(\*\*) Term: **14 Years**

(21) Appl. No.: **29/383,753**

(22) Filed: **Jan. 21, 2011**

(30) **Foreign Application Priority Data**

Aug. 5, 2010 (EM) ..... 001740796-0001

(51) **LOC (9) Cl.** ..... **24-01**

(52) **U.S. Cl.** ..... **D24/167**

(58) **Field of Classification Search** ..... D24/165-168,  
D24/186, 107; D10/98; 600/356; 439/909;  
607/2, 4-9, 119, 142, 145; D3/211; D8/347,  
D8/348; D21/529; 70/393, 402, 403

See application file for complete search history.

(56) **References Cited**

U.S. PATENT DOCUMENTS

3,149,321	A *	9/1964	Ward	340/306
D373,193	S *	8/1996	Luther	D24/167
D389,725	S *	1/1998	Huang	D8/348
6,101,413	A *	8/2000	Olson et al.	607/5
D471,279	S *	3/2003	Locke et al.	D24/167
6,556,864	B1 *	4/2003	Picardo et al.	607/5
6,909,917	B2 *	6/2005	Woods et al.	607/46
D575,628	S *	8/2008	Strawn et al.	D8/347
D602,761	S *	10/2009	Sinisi et al.	D8/347
2003/0208237	A1 *	11/2003	Locke et al.	607/5
2009/0254136	A1 *	10/2009	Powers	607/5

\* cited by examiner

*Primary Examiner* — Anhdao Doan

(57) **CLAIM**

The ornamental design for a pediatric mode key for defibrillator, as shown and described.

**DESCRIPTION**

FIG. 1 is a perspective view showing our design;

FIG. 2 is a front elevational view thereof;

FIG. 3 is a rear elevational view thereof;

FIG. 4 is a right side elevational view thereof;

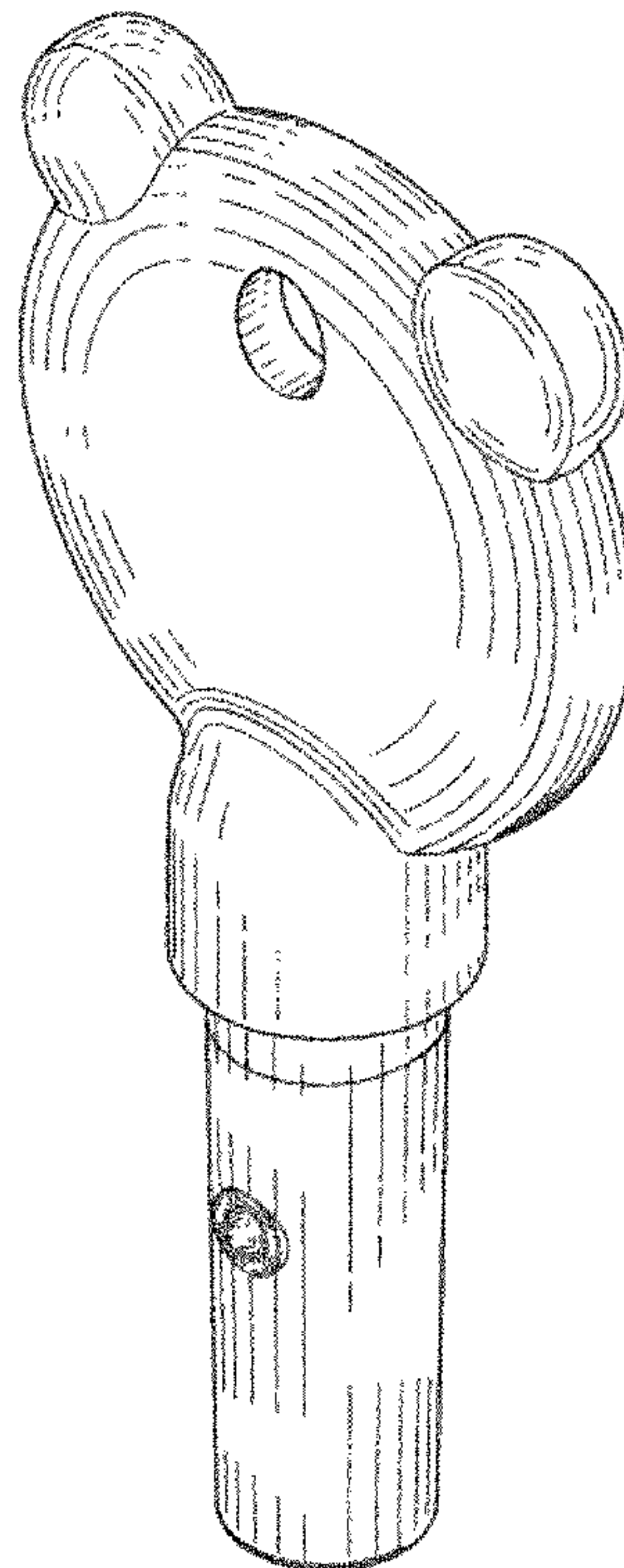
FIG. 5 is a left side elevational view thereof;

FIG. 6 is a top plan view thereof; and,

FIG. 7 is a bottom plan view thereof.

The dash-dot-dash broken lines represent the bounds of the claim while the dashed broken lines illustrate portions of the pediatric mode key for defibrillator that along with the broken-line boundaries, form no part of the claimed design.

**1 Claim, 3 Drawing Sheets**



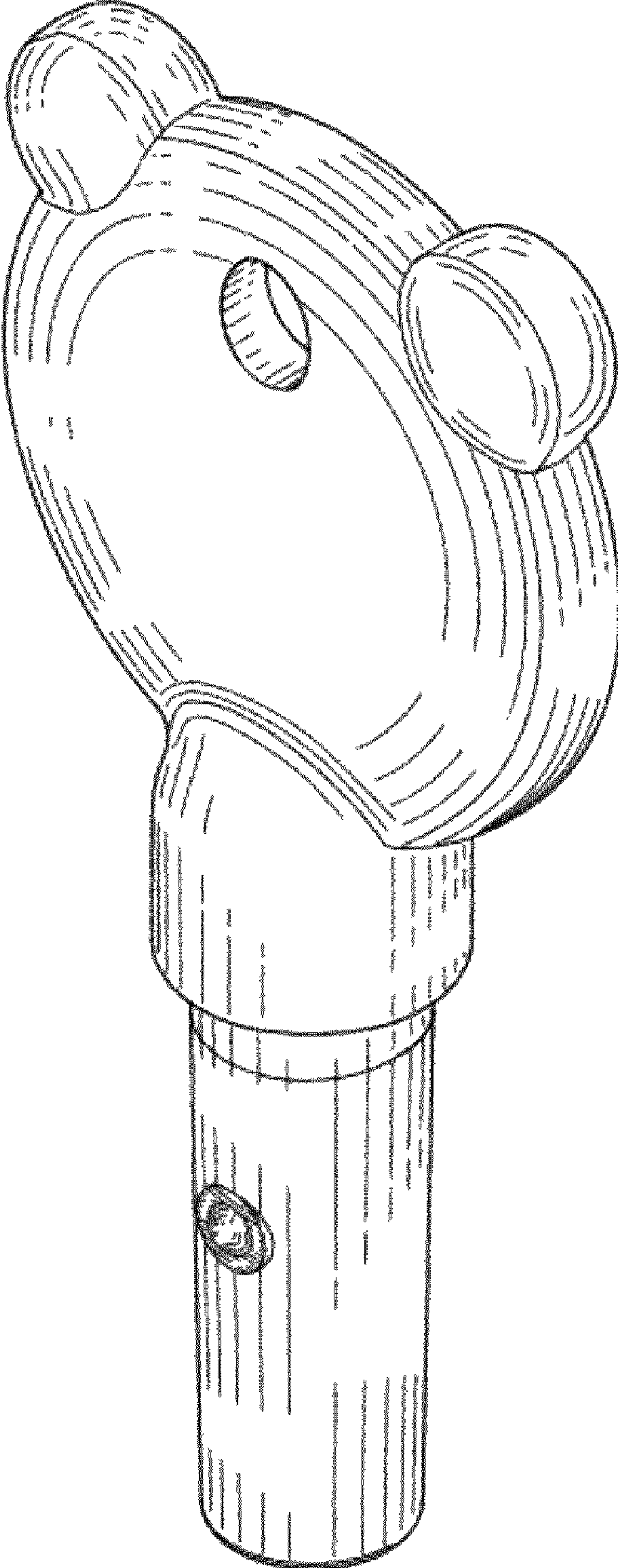


FIG. 1



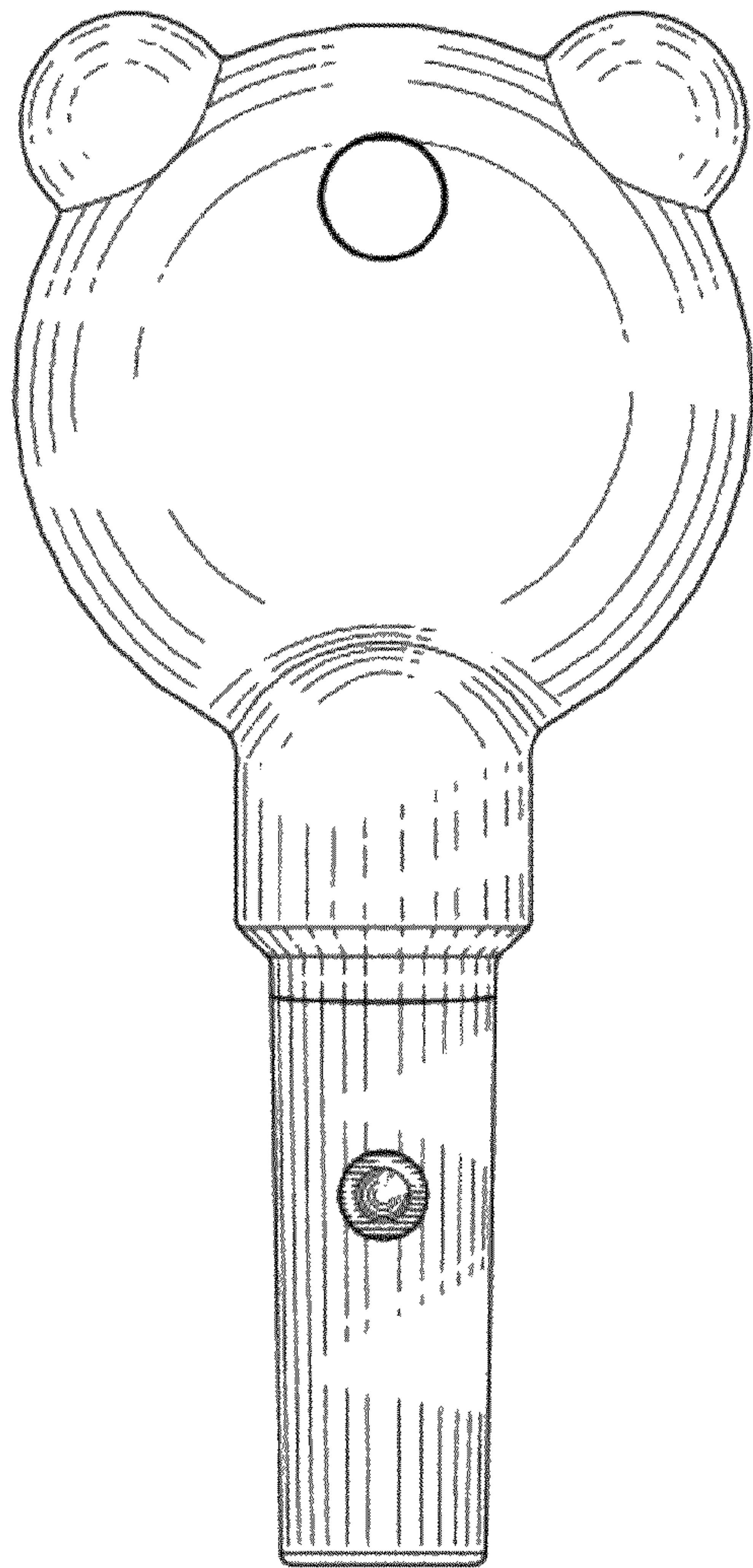


FIG. 2

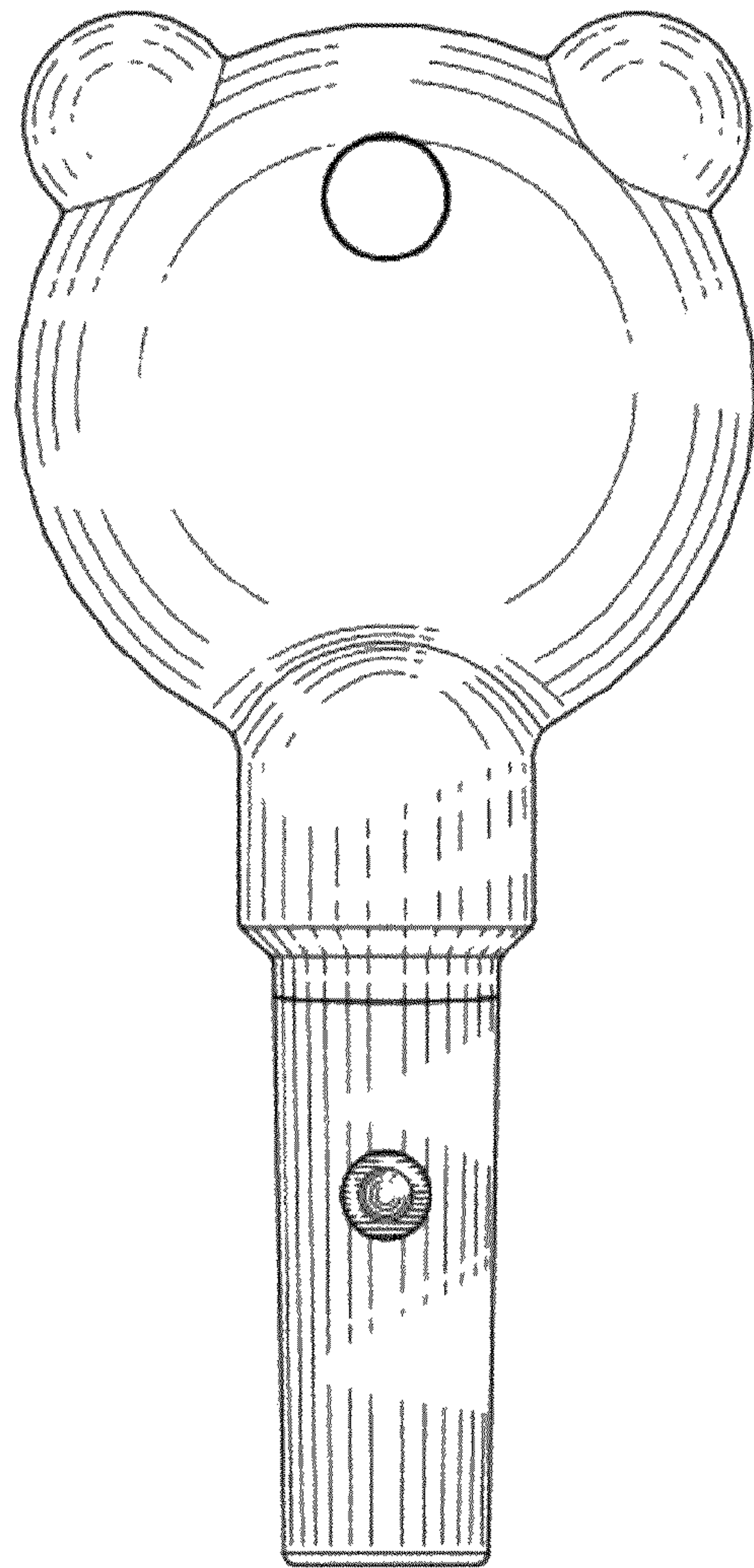


FIG. 3

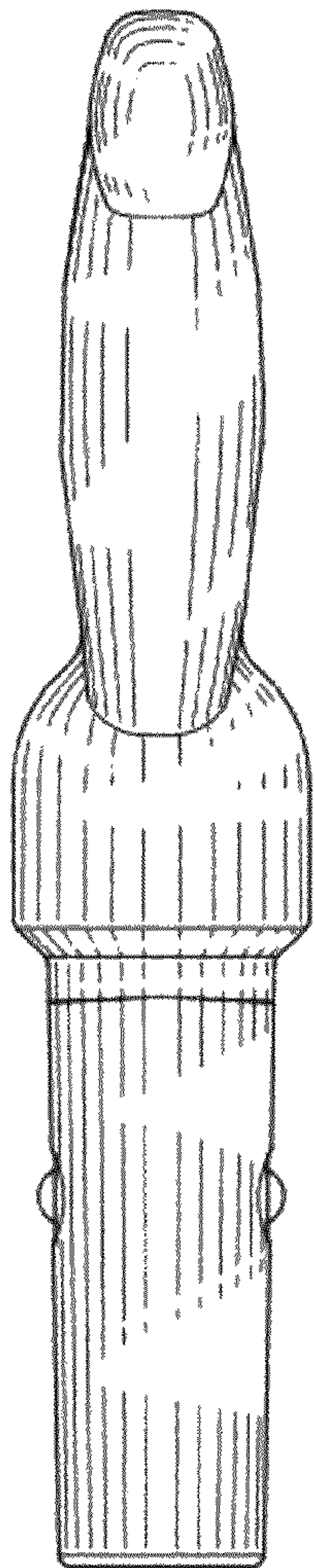


FIG. 4

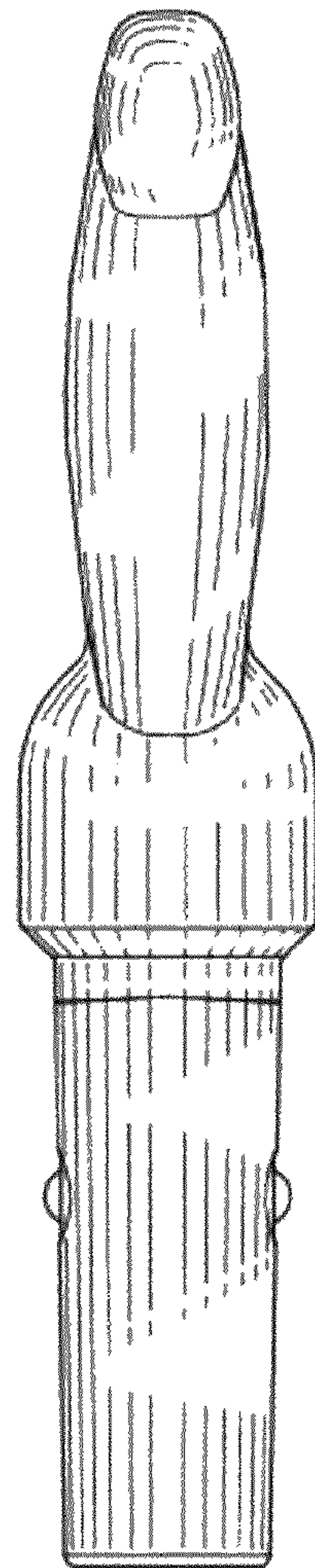


FIG. 5

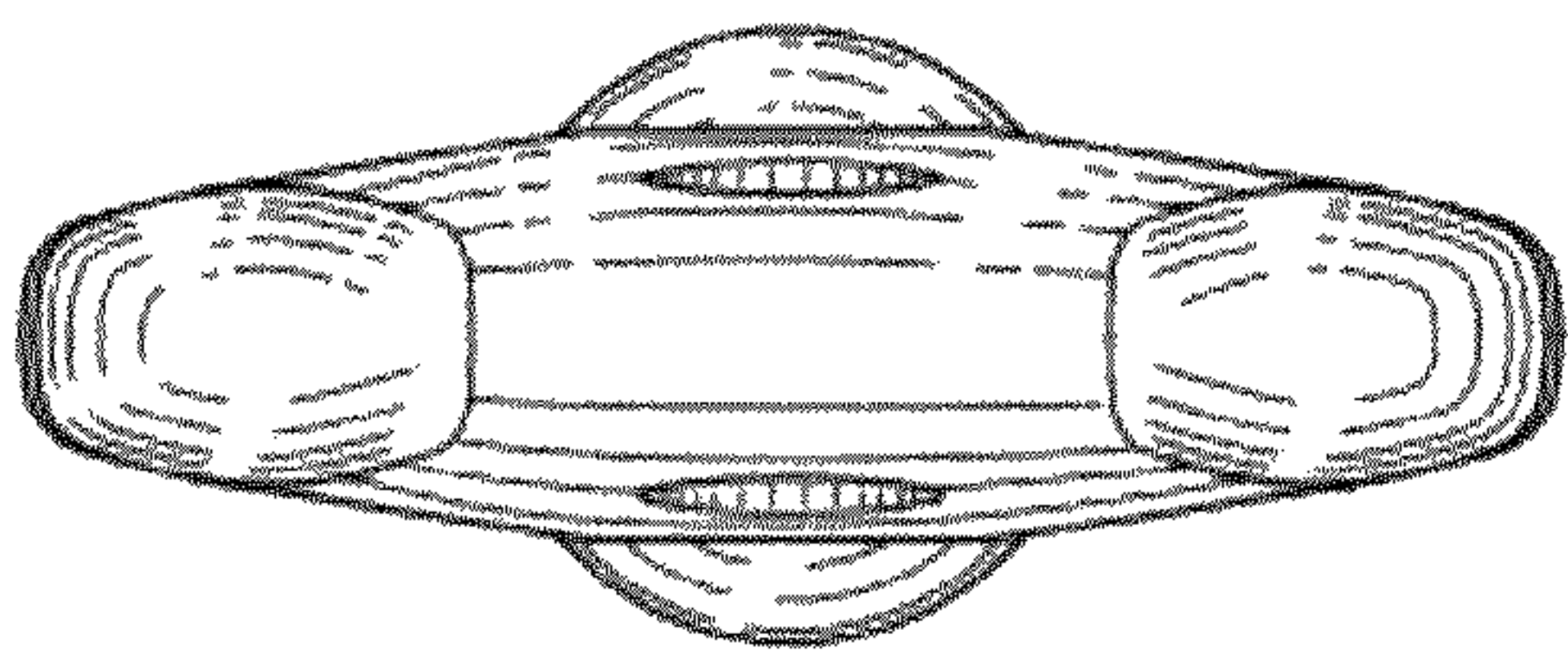


FIG. 6

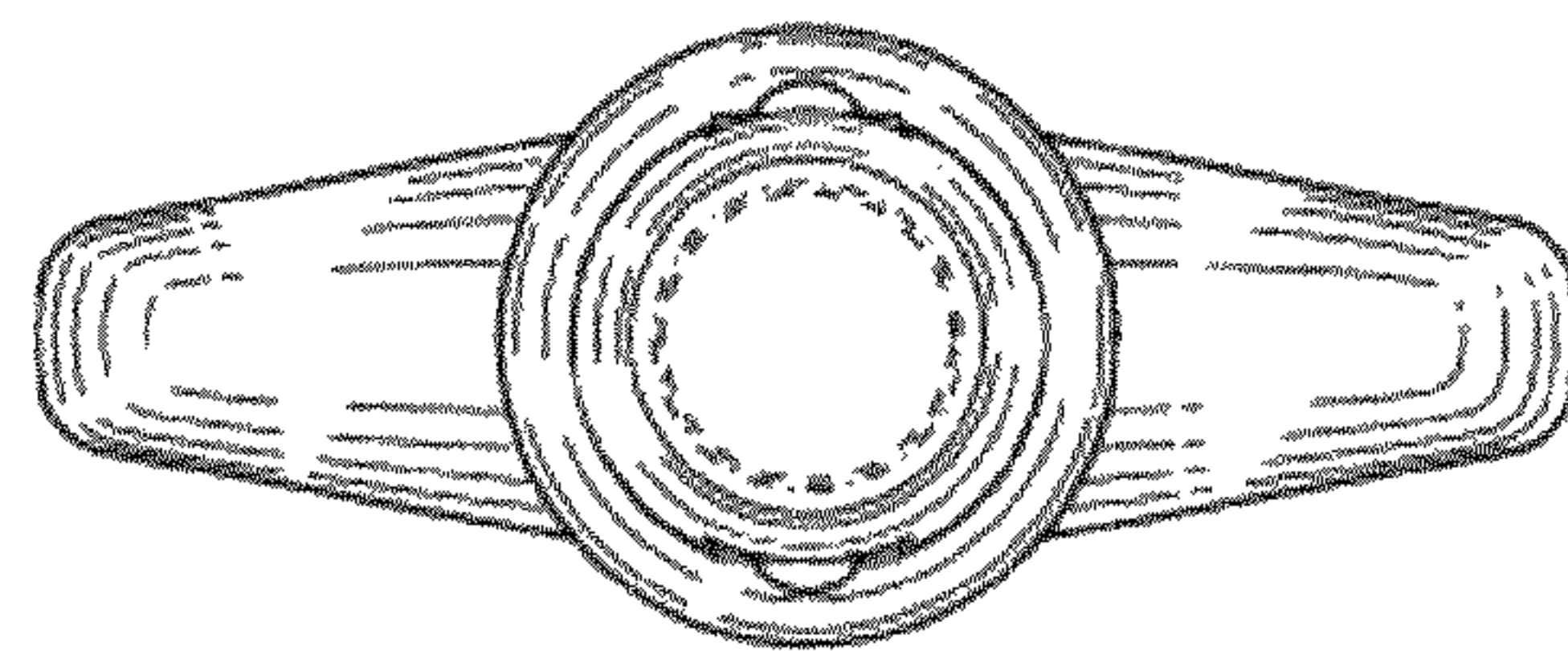


FIG. 7