

US00D658296S

(12) **United States Design Patent**
Matheson

(10) **Patent No.:** **US D658,296 S**

(45) **Date of Patent:** **** Apr. 24, 2012**

(54) **DEFIBRILLATOR**

(75) Inventor: **Anthony Matheson**, Bedford, MA (US)

(73) Assignee: **Koninklijke Philips Electronics N.V.**,
Eindhoven (NL)

(**) Term: **14 Years**

(21) Appl. No.: **29/352,787**

(22) Filed: **Dec. 28, 2009**

(51) **LOC (9) Cl.** **24-01**

(52) **U.S. Cl.** **D24/167**

(58) **Field of Classification Search** D24/165-168,
D24/186, 107; D10/98; 600/356; 439/909;
607/2, 4-9, 119, 142, 145

See application file for complete search history.

(56) **References Cited**

U.S. PATENT DOCUMENTS

D273,039	S	*	3/1984	Behrens	D24/167
5,562,710	A	*	10/1996	Olsen et al.	607/5
D393,072	S	*	3/1998	Rogler	D24/186
5,935,152	A	*	8/1999	Merry et al.	607/5
D415,279	S	*	10/1999	Daynes et al.	D24/167

D455,492	S	*	4/2002	Daynes et al.	D24/167
6,714,817	B2	*	3/2004	Daynes et al.	607/5
D491,270	S	*	6/2004	Barker	D24/186
D592,754	S	*	5/2009	Koike et al.	D24/186
7,603,173	B2	*	10/2009	Parascandola et al.	D24/168
D621,511	S	*	8/2010	Lathrop et al.	D24/167
D623,301	S	*	9/2010	Wung	D24/167

* cited by examiner

Primary Examiner — Anhdao Doan

(57) **CLAIM**

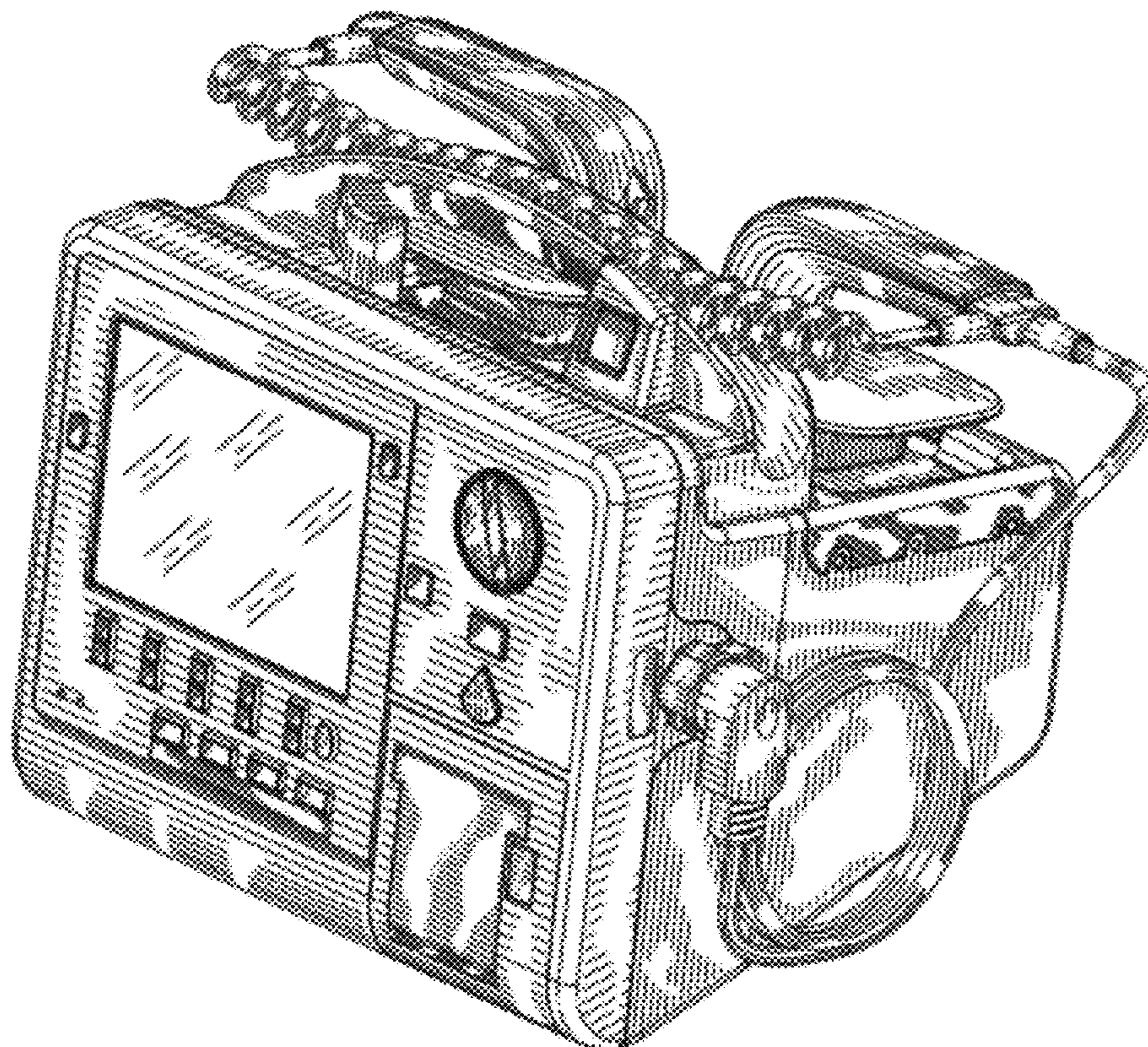
The ornamental design for a defibrillator, as shown and described.

DESCRIPTION

FIG. 1 is a perspective view showing my design;
FIG. 2 is a front elevational view thereof;
FIG. 3 is a rear elevational view thereof;
FIG. 4 is a right side elevational view thereof;
FIG. 5 is a left side elevational view thereof;
FIG. 6 is a top plan view thereof; and,
FIG. 7 is a bottom plan view thereof.

The broken lines shown in the drawings illustrate portions of the defibrillator which form no part of the claimed design.

1 Claim, 4 Drawing Sheets



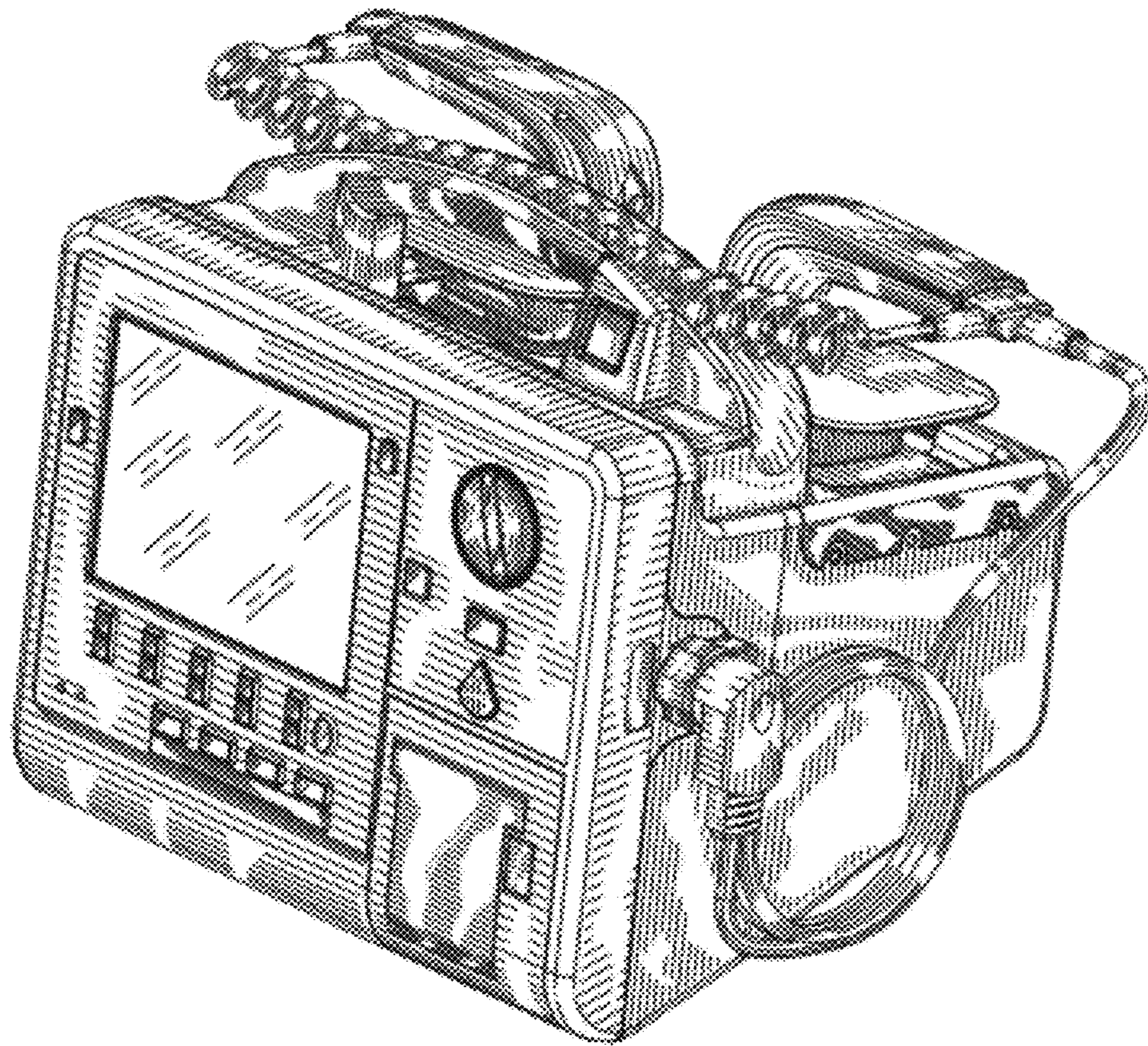


FIG. 1

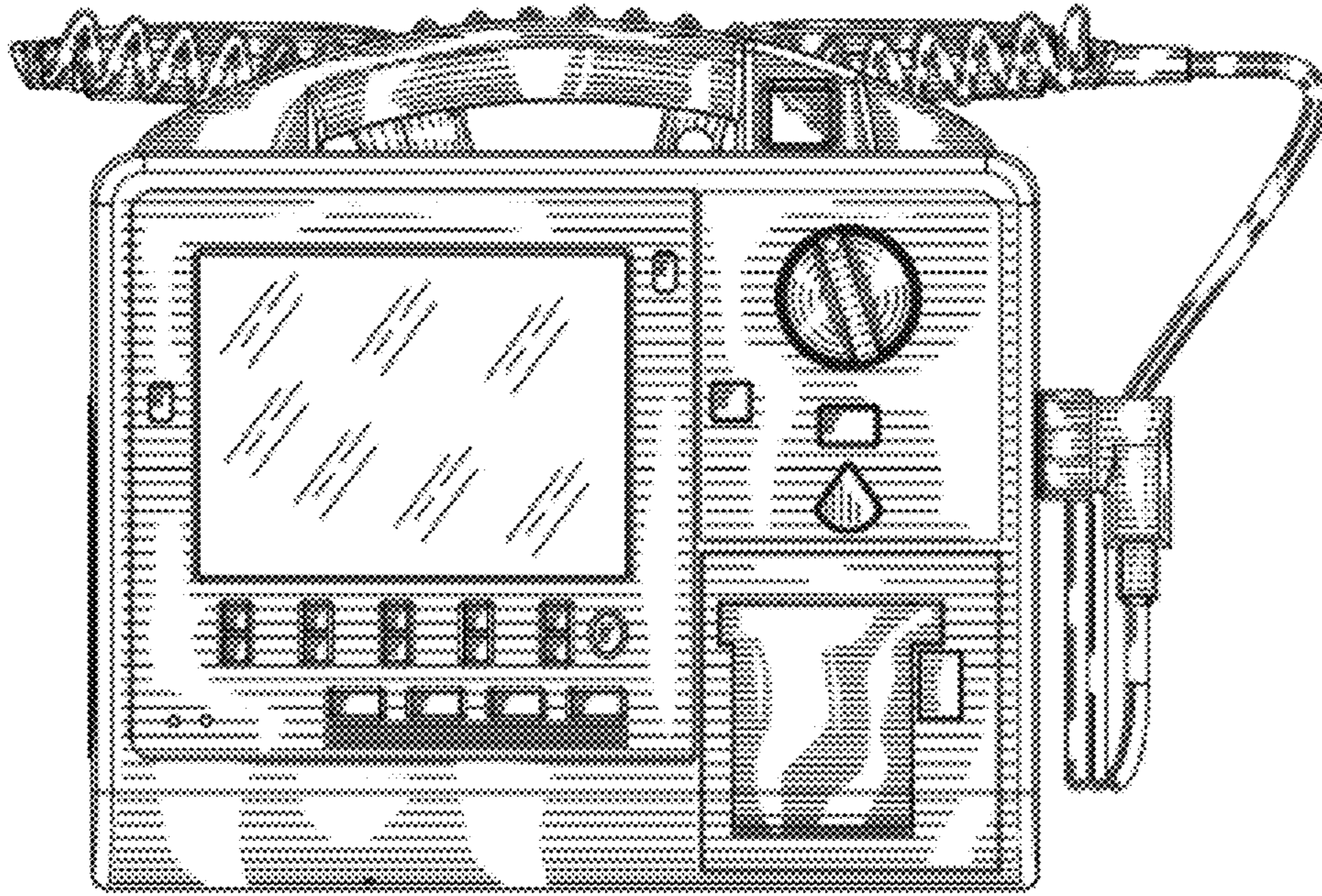


FIG. 2

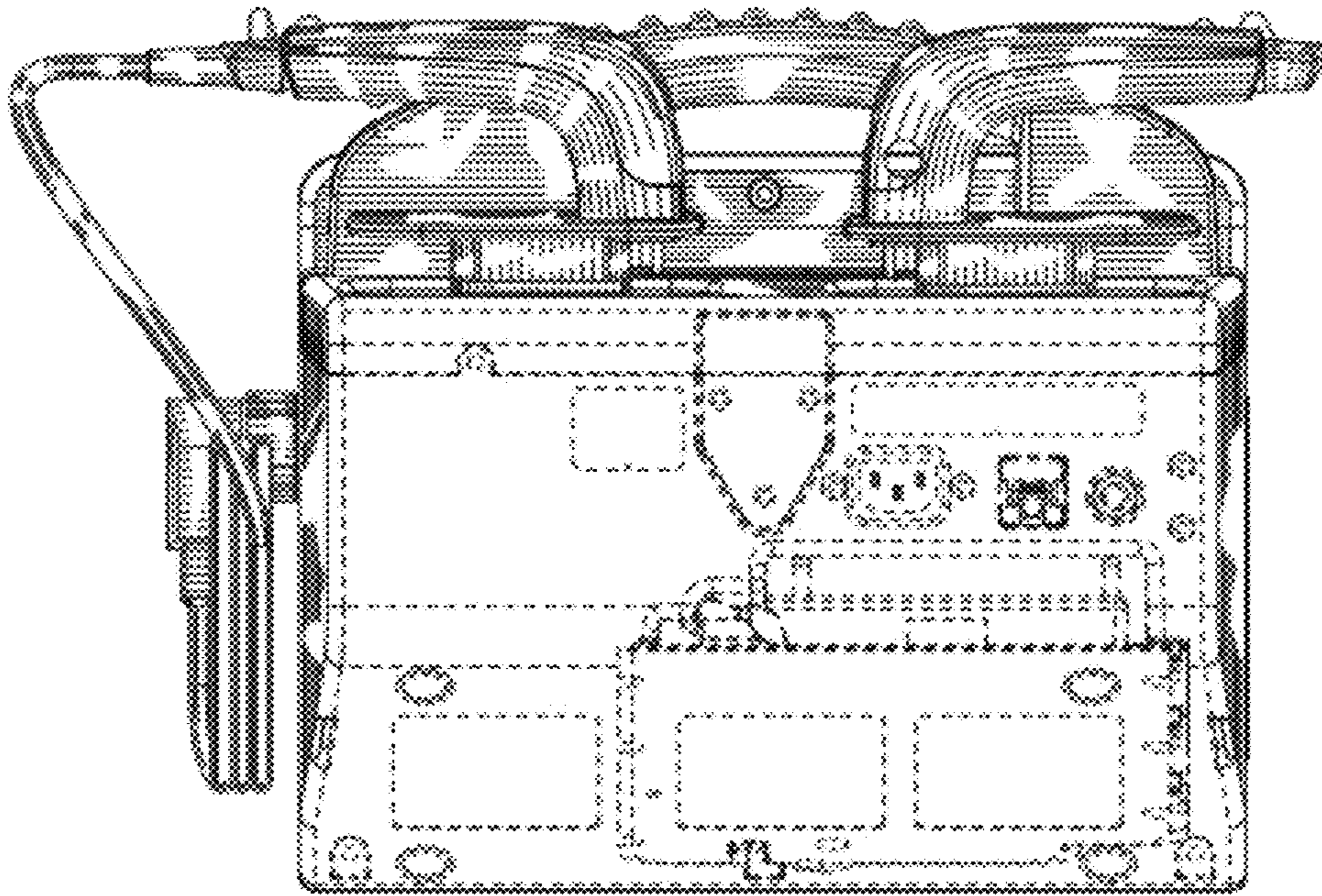


FIG. 3

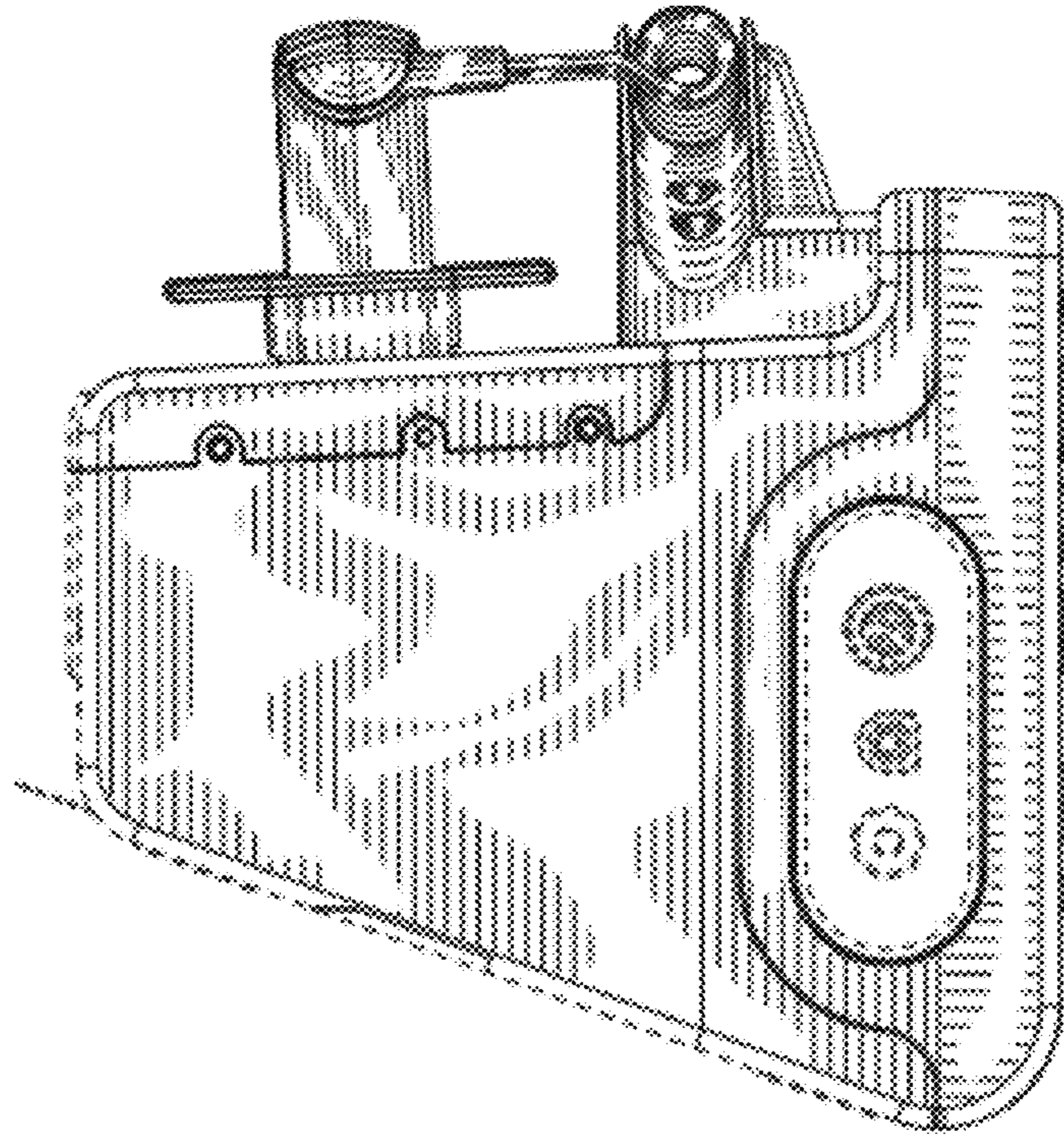


FIG. 4

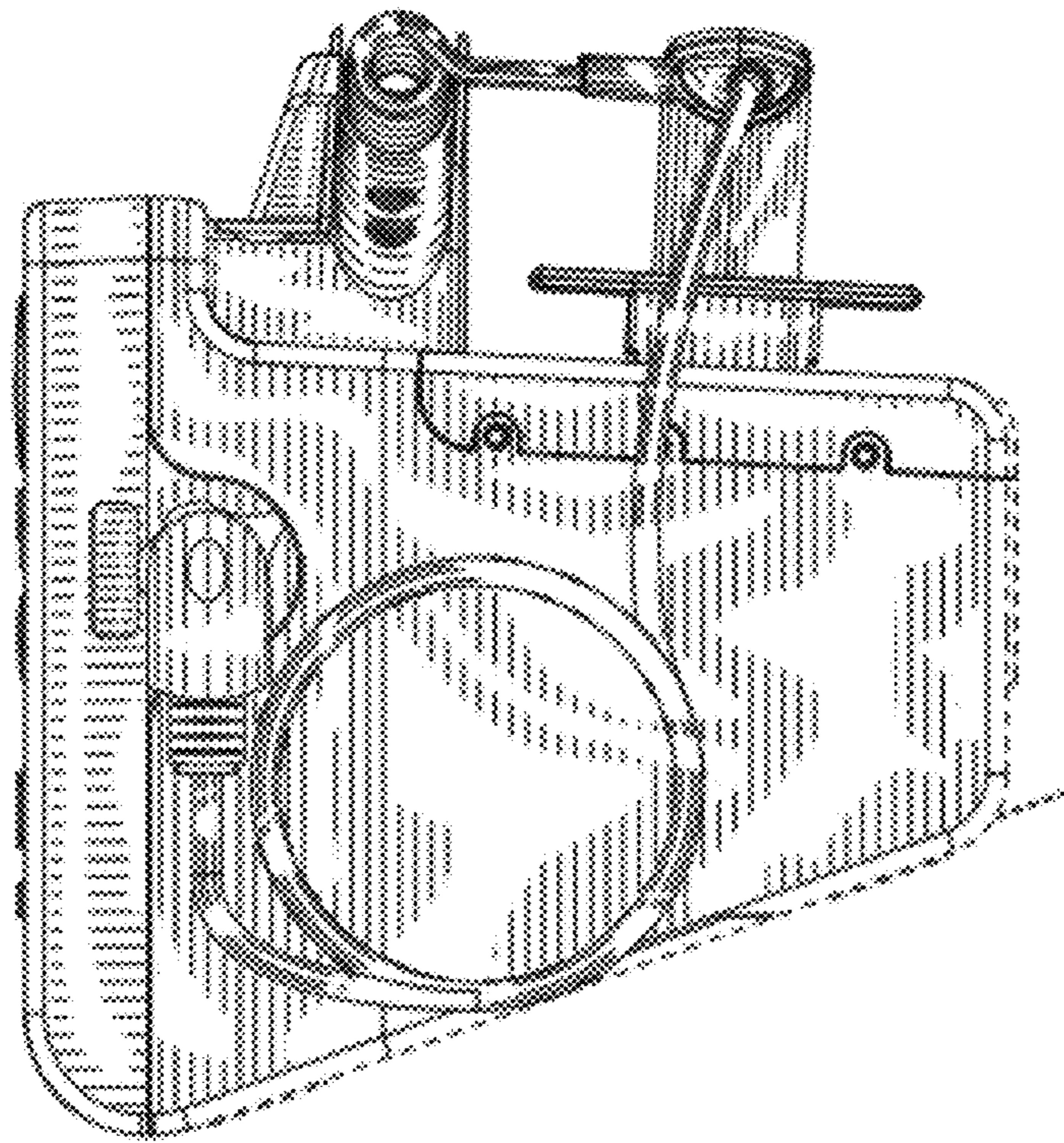


FIG. 5

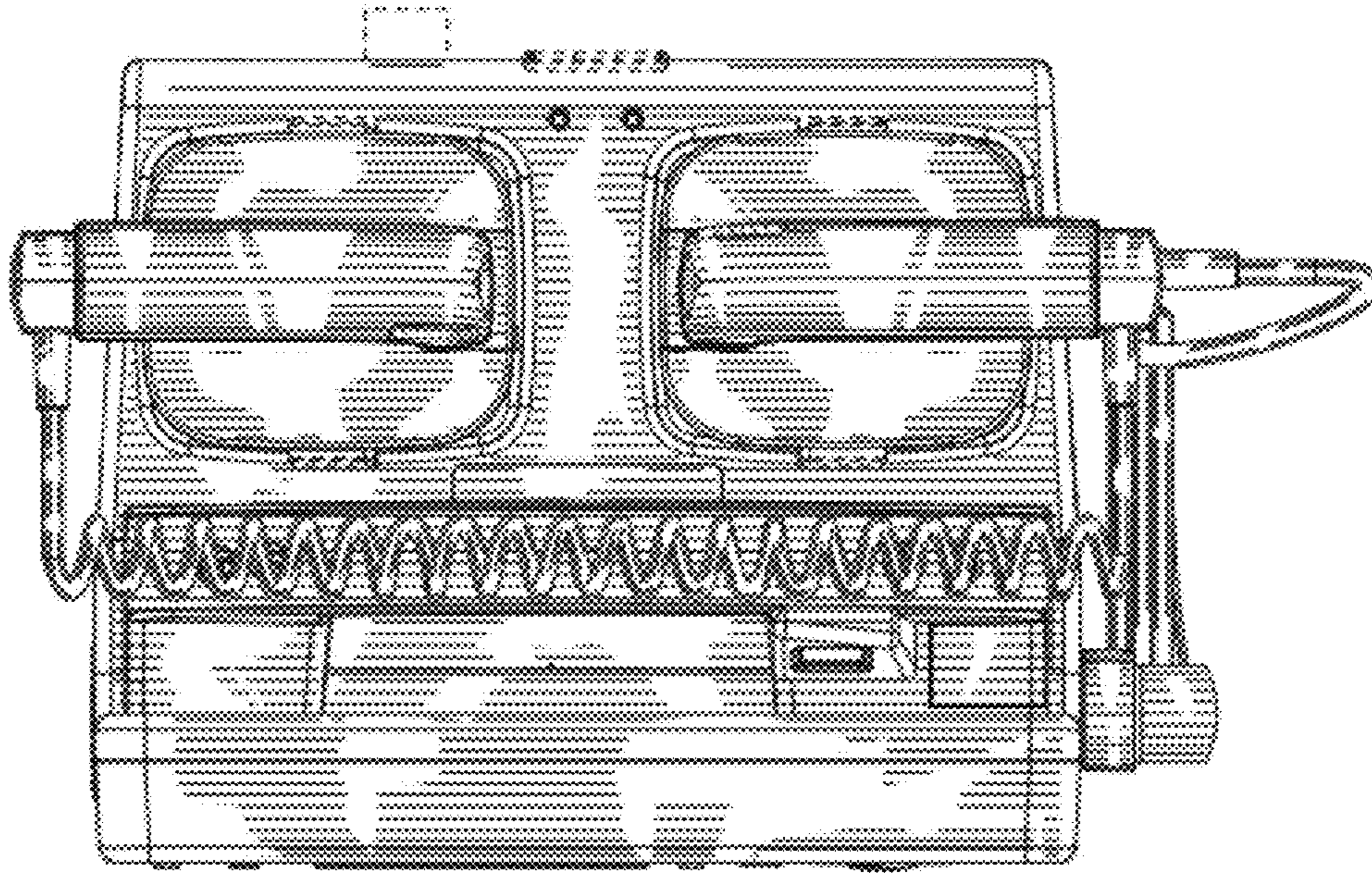


FIG. 6

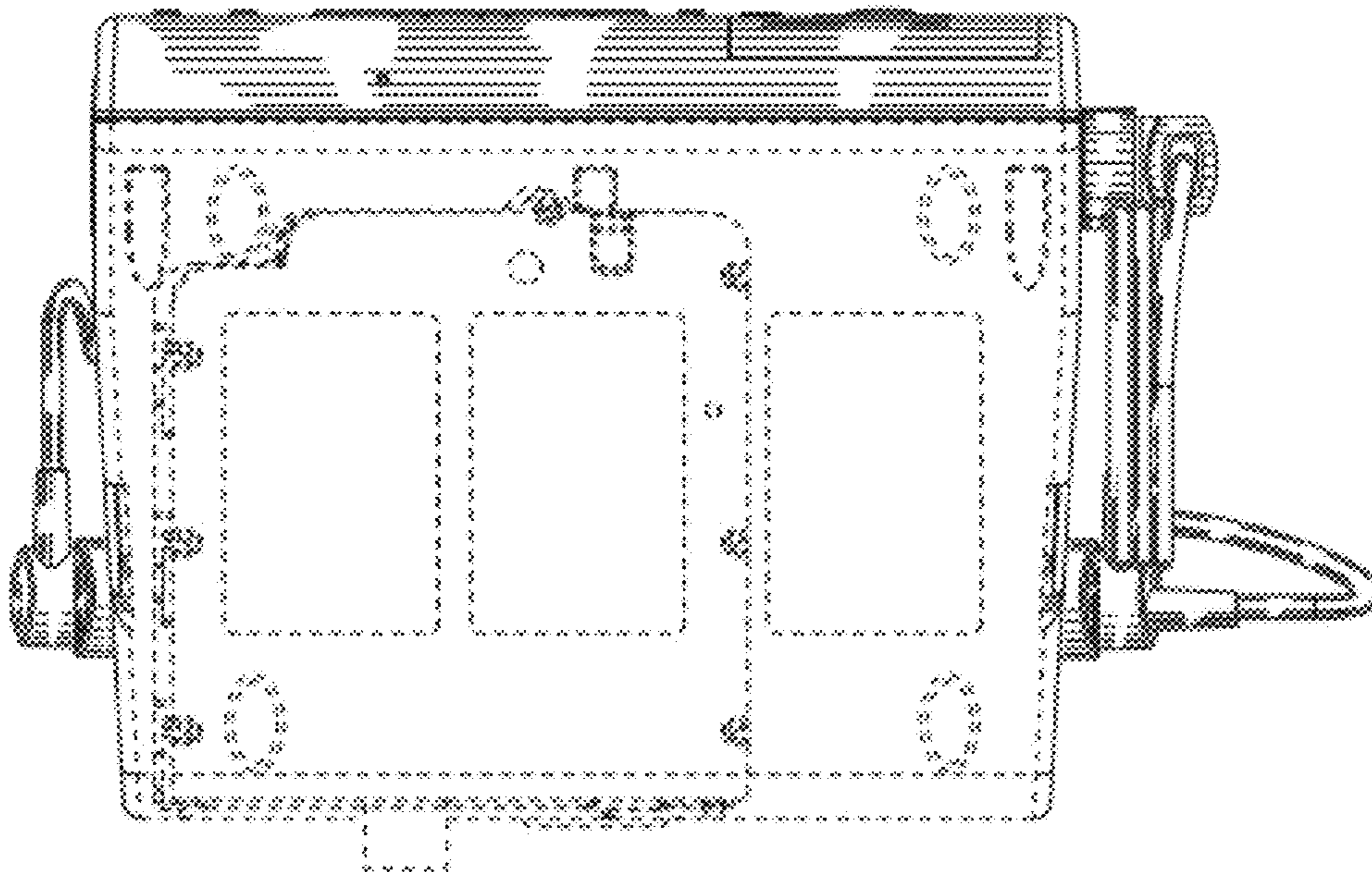


FIG. 7