



US00D658294S

(12) **United States Design Patent**
Awad

(10) **Patent No.:** **US D658,294 S**

(45) **Date of Patent:** **** Apr. 24, 2012**

(54) **X-RAY SCANNER**

(75) Inventor: **William Awad, L'lle Bizard (CA)**

(73) Assignee: **Voti Inc., Pointe-Claire (Quebec) (CA)**

(**) Term: **14 Years**

(21) Appl. No.: **29/347,890**

(22) Filed: **Jul. 13, 2010**

(51) **LOC (9) Cl.** **24-01**

(52) **U.S. Cl.** **D24/158**

(58) **Field of Classification Search** D24/158-161,
D24/186, 183-185; 378/4, 15, 17, 20, 21,
378/23-27, 62, 68, 146

See application file for complete search history.

(56) **References Cited**

U.S. PATENT DOCUMENTS

D300,849	S	*	4/1989	Steinhilber et al.	D24/159
D323,711	S	*	2/1992	Takekoshi et al.	D24/159
D325,632	S	*	4/1992	Kogane et al.	D24/158
D347,063	S	*	5/1994	Ariyoshi et al.	D24/159
D386,261	S	*	11/1997	Lee et al.	D24/159
6,859,518	B2	*	2/2005	Banchieri et al.	378/57
7,072,434	B1	*	7/2006	Tybinkowski et al.	378/4

7,570,787	B2	*	8/2009	Hirose	378/58
D609,811	S	*	2/2010	Yokoyama et al.	D24/159
2008/0118026	A1	*	5/2008	Ainsworth et al.	378/20

* cited by examiner

Primary Examiner — Anhdao Doan

(74) *Attorney, Agent, or Firm* — Dority & Manning, P.A.

(57) **CLAIM**

The ornamental design for an "X-ray scanner", as shown and described.

DESCRIPTION

FIG. 1 is a perspective view of an X-ray scanner according to the invention;

FIG. 2 is an alternative perspective view thereof;

FIG. 3 is a left side elevational view thereof;

FIG. 4 is a right side elevational view thereof;

FIG. 5 is a top plan view thereof;

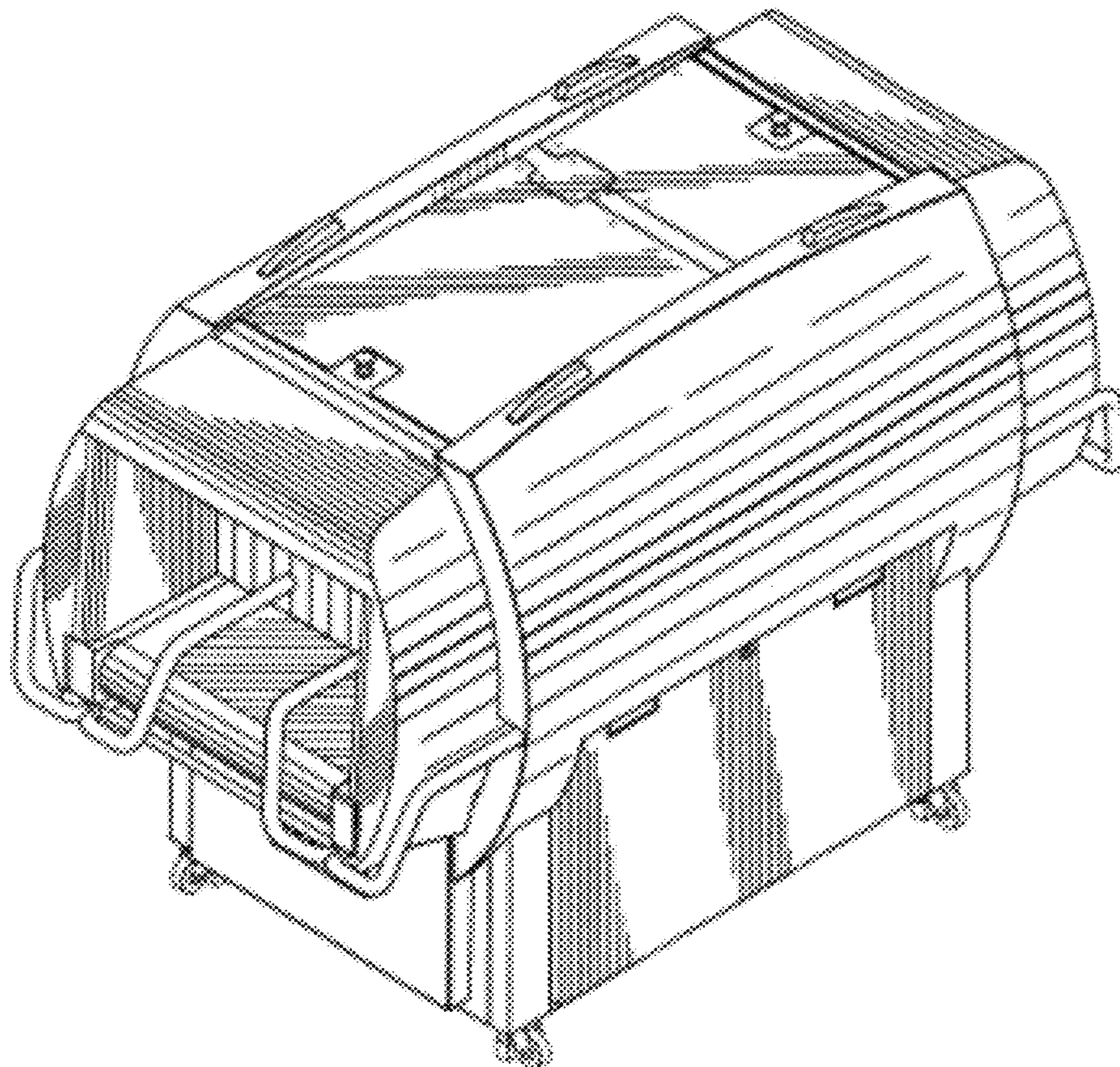
FIG. 6 is a bottom plan view thereof;

FIG. 7 is a front elevational view thereof; and,

FIG. 8 is a rear elevational view thereof.

The broken lines in the drawing views are included for the purpose of illustrating portions of the X-ray scanner that form no part of the claimed design.

1 Claim, 4 Drawing Sheets



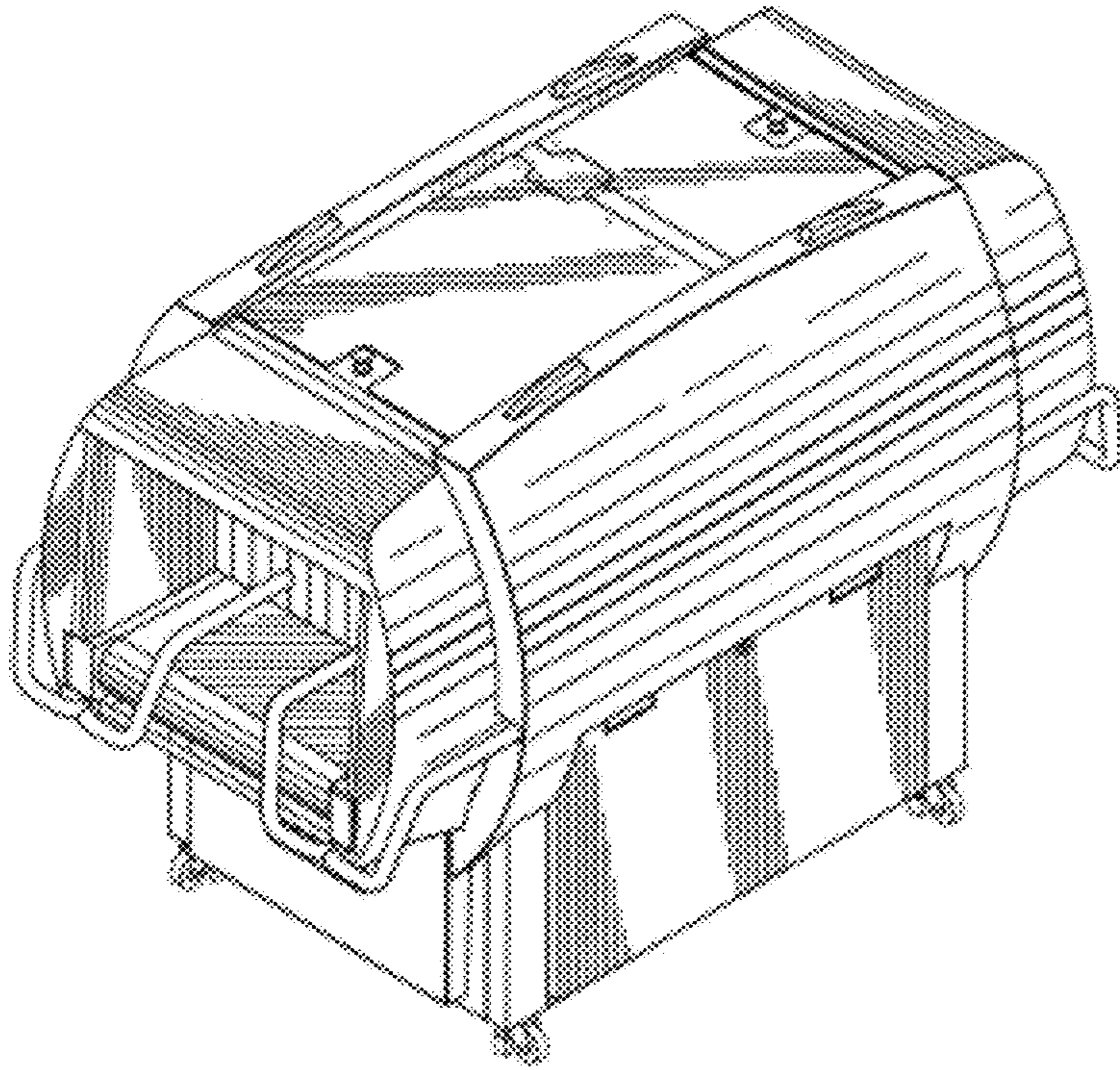


FIG. 1

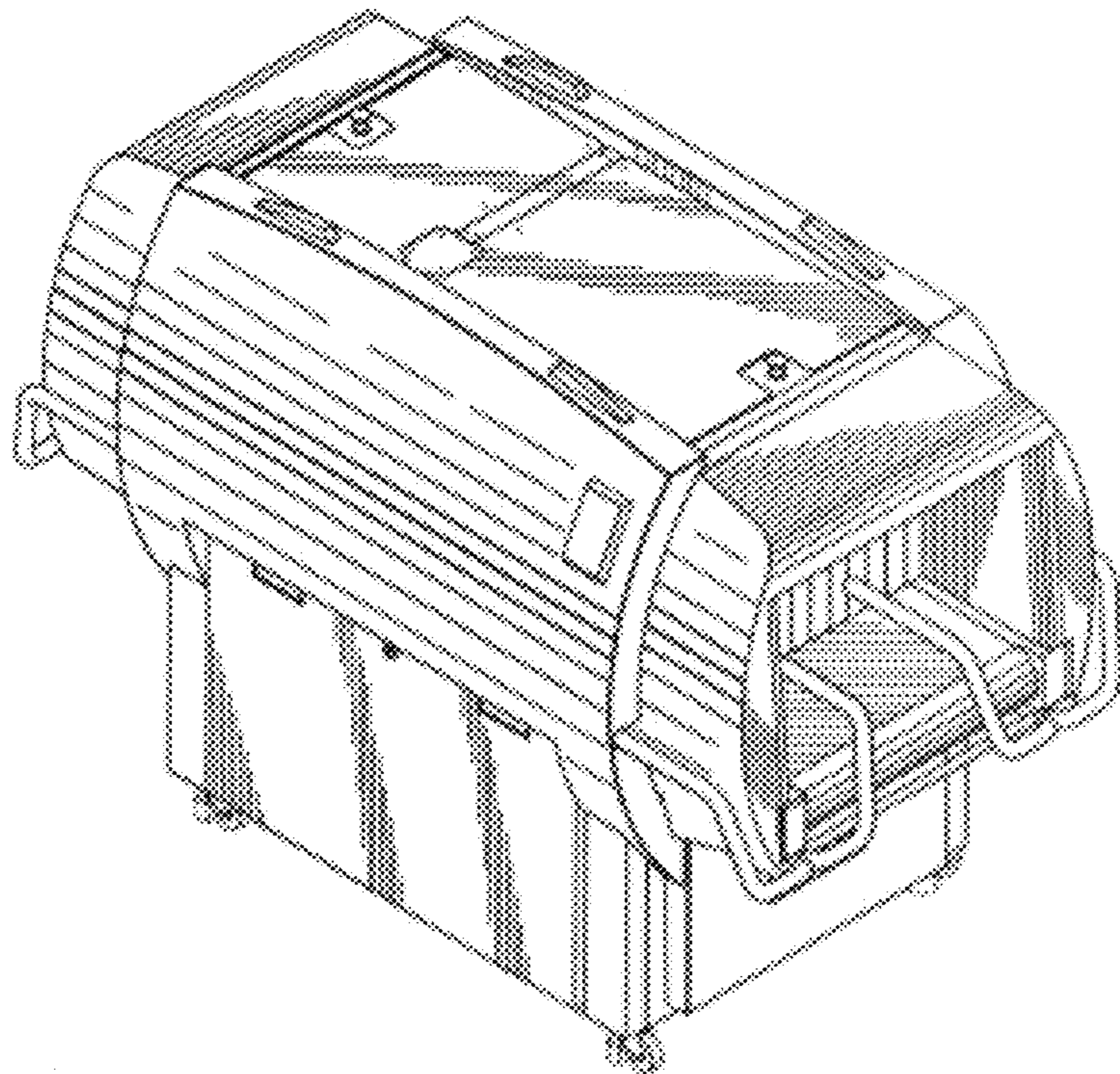


FIG. 2

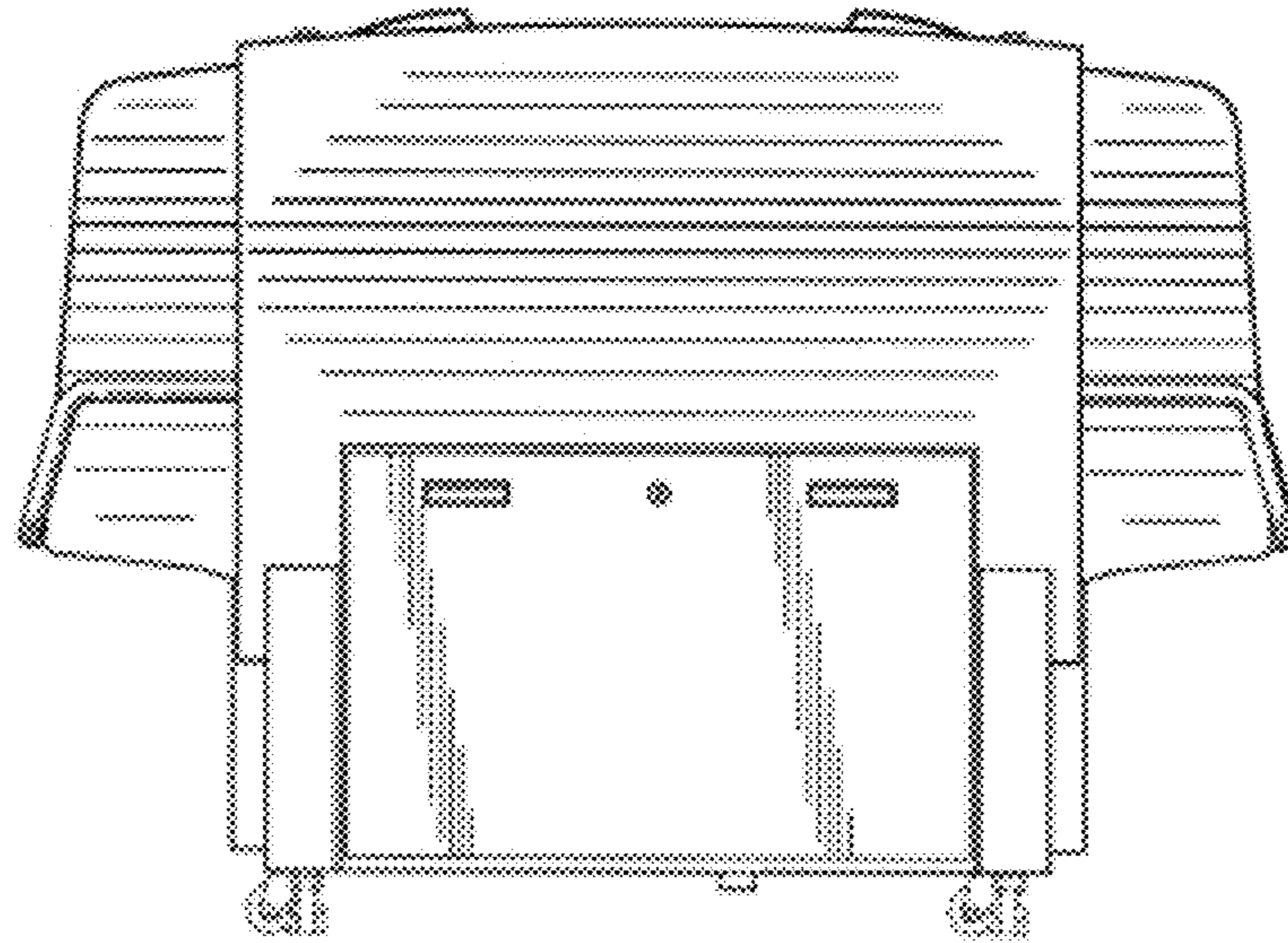


FIG.3

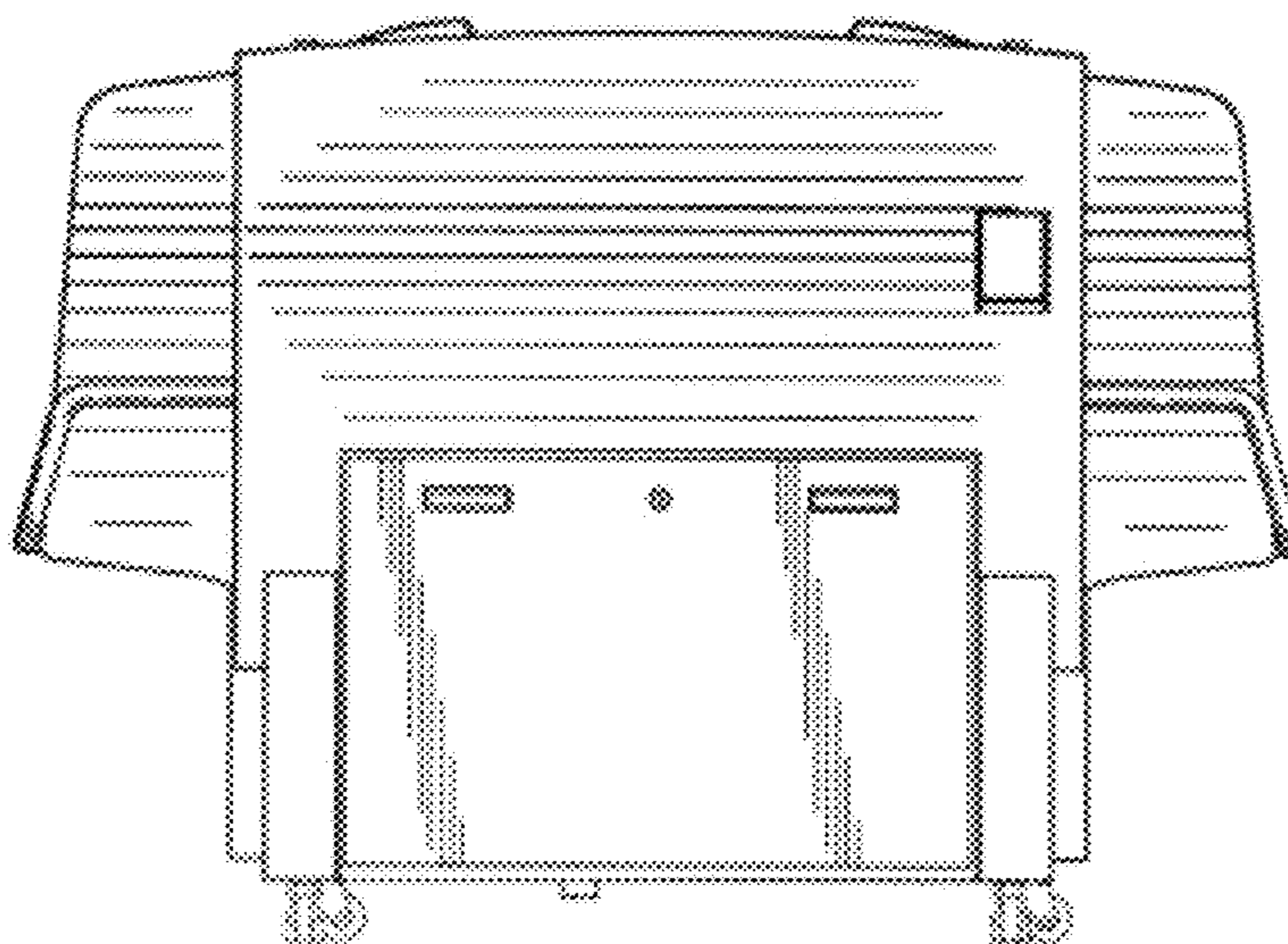


FIG.4

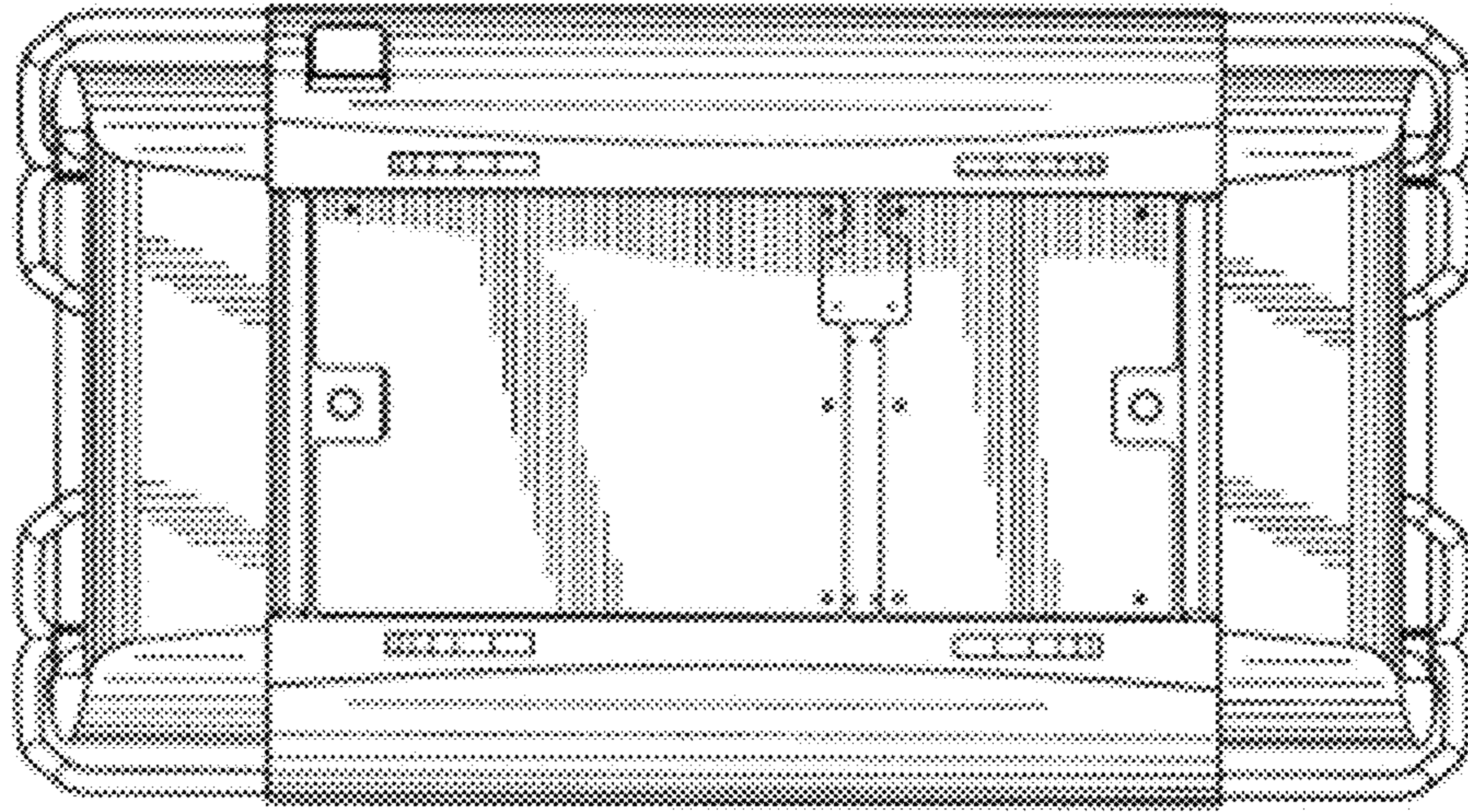


FIG. 5

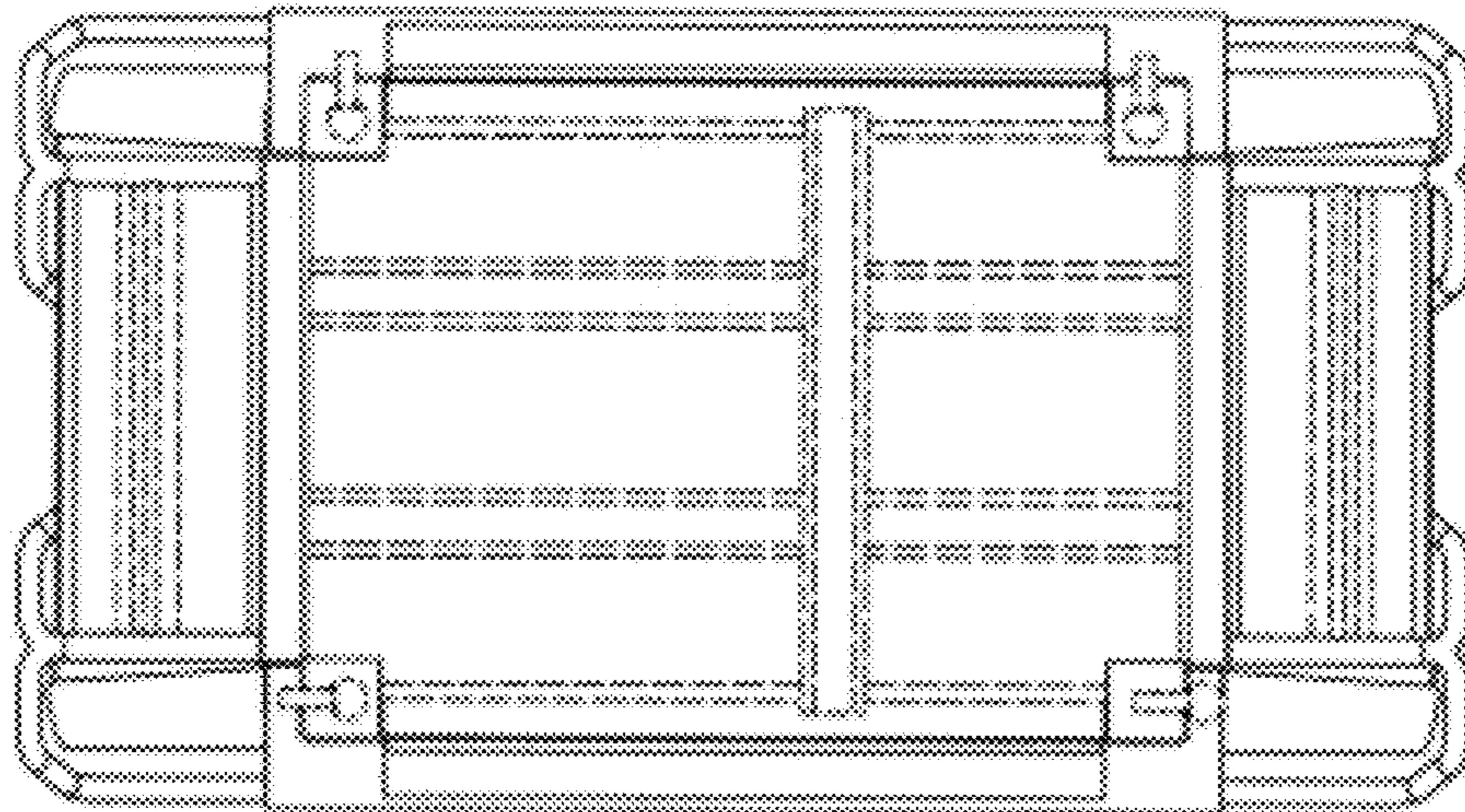


FIG. 6

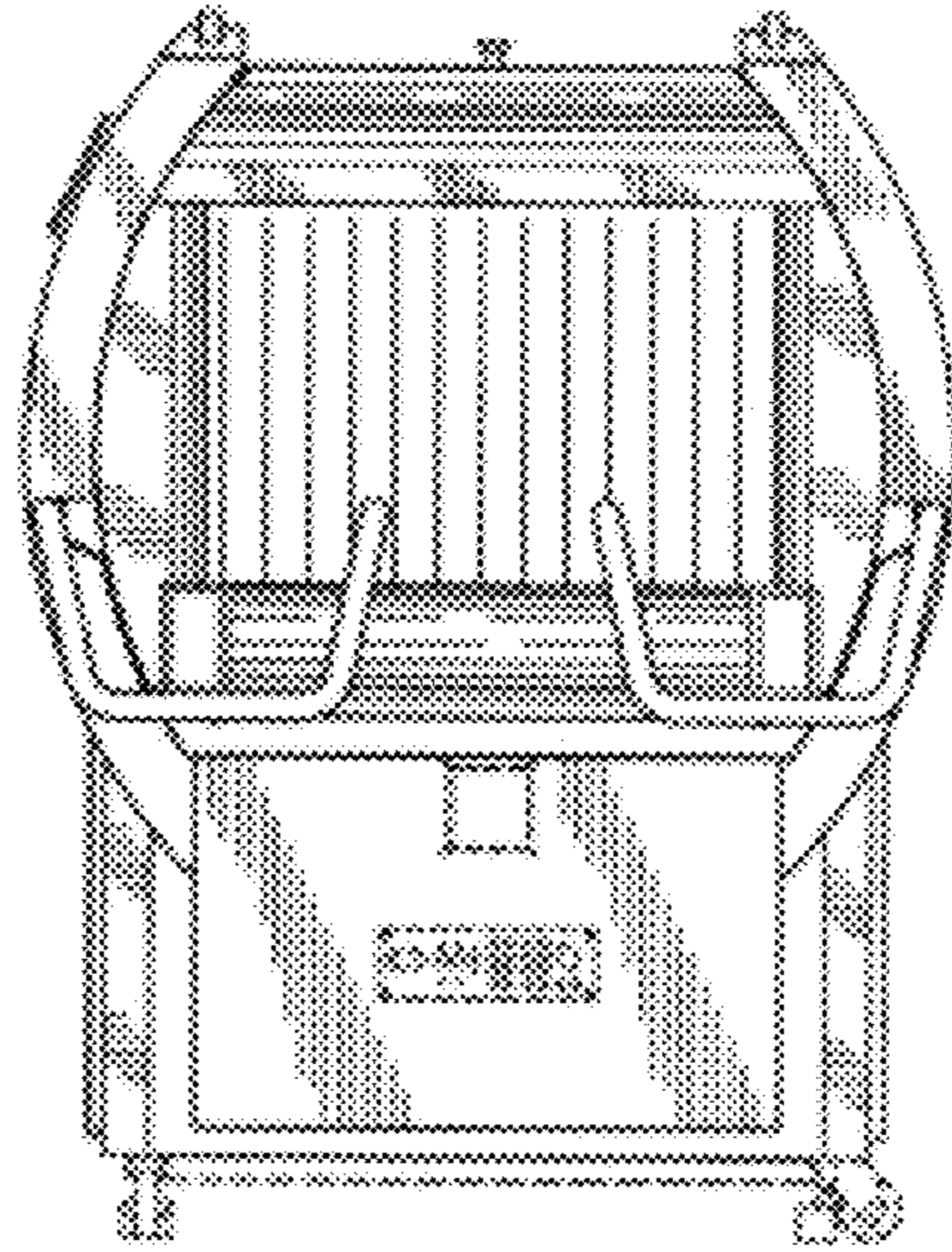


FIG. 7

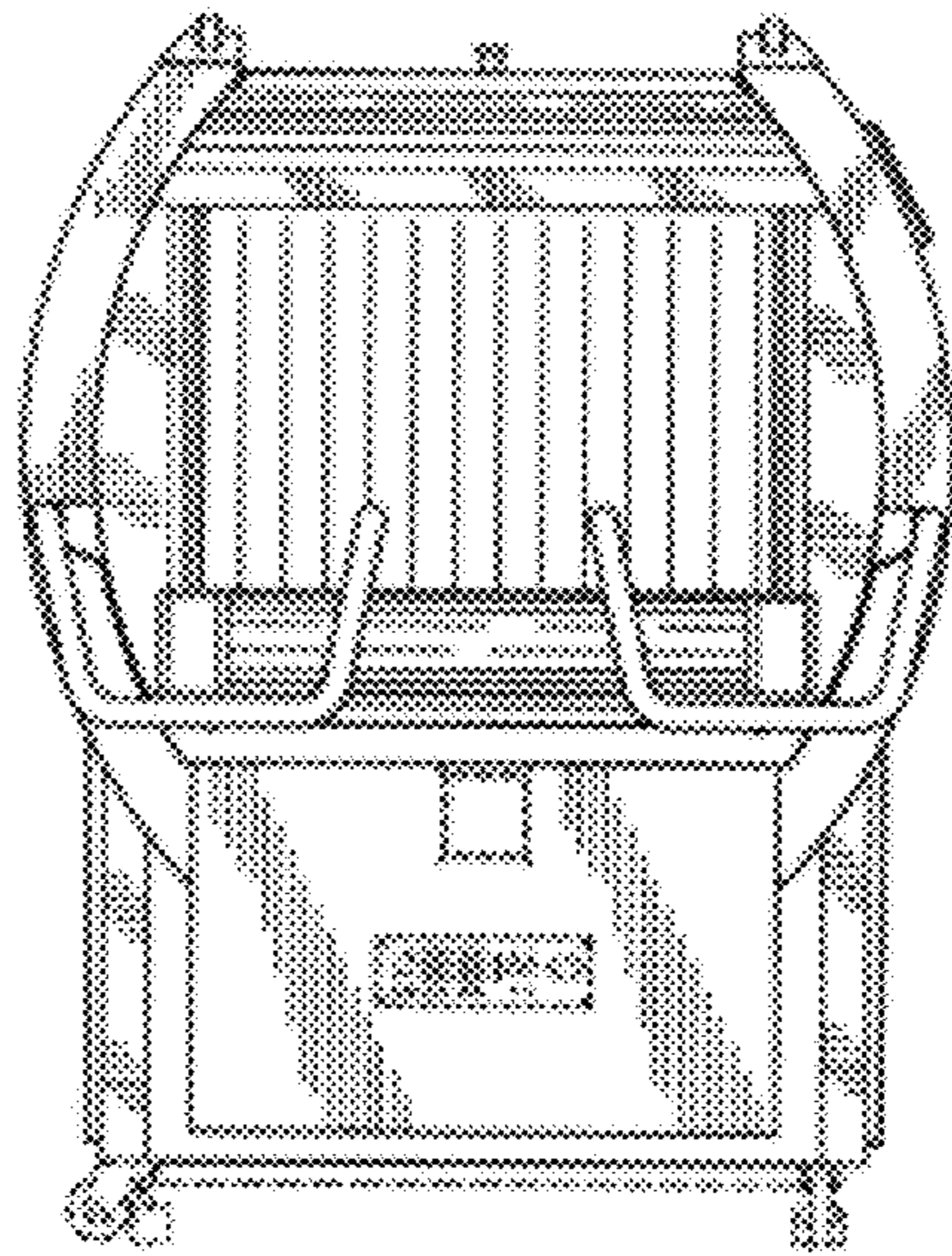


FIG. 8