



US00D658292S

(12) **United States Design Patent**
Kagawa

(10) **Patent No.:** **US D658,292 S**

(45) **Date of Patent:** **** Apr. 24, 2012**

(54) **DENTAL HANDPIECE**

(75) Inventor: **Takeshi Kagawa**, Kanuma (JP)

(73) Assignee: **Nakanishi Inc.**, Kanuma-shi (JP)

(**) Term: **14 Years**

(21) Appl. No.: **29/390,715**

(22) Filed: **Apr. 28, 2011**

(51) **LOC (9) Cl.** **24-02**

(52) **U.S. Cl.** **D24/152**

(58) **Field of Classification Search** D24/107,
D24/133, 146, 152, 154-156, 176, 180; 433/3,
433/29, 80, 82, 88, 114, 116, 124, 126, 173-174,
433/229

See application file for complete search history.

(56) **References Cited**

U.S. PATENT DOCUMENTS

D237,187 S *	10/1975	Fattaleh	D24/146
D239,390 S *	3/1976	Webb	D24/146
D241,550 S *	9/1976	Morin	D24/146
D257,284 S *	10/1980	Leonard	D24/146
D305,935 S *	2/1990	Straihammer et al.	D24/146
D378,412 S *	3/1997	Badoz et al.	D24/152
D427,682 S *	7/2000	Novak	D24/152
D463,556 S *	9/2002	Bareth et al.	D24/152

6,676,374 B2 *	1/2004	Hashimoto et al.	433/132
D499,486 S *	12/2004	Kuhn et al.	D24/152
D550,358 S *	9/2007	Nakanishi	D24/146
D556,323 S *	11/2007	Nakanishi	D24/146

* cited by examiner

Primary Examiner — Wan Laymon

(74) *Attorney, Agent, or Firm* — Jason D. Voight

(57) **CLAIM**

The ornamental design for a dental handpiece, as shown and described.

DESCRIPTION

FIG. 1 is a front elevation of a dental handpiece;
FIG. 2 is a rear elevation thereof;
FIG. 3 is an enlarged right side elevation thereof;
FIG. 4 is an enlarged left side elevation thereof;
FIG. 5 is a top view thereof;
FIG. 6 is a bottom view thereof;
FIG. 7 is an enlarged fragmentary bottom view thereof, taken along line 7-7 in FIG. 6; and,
FIG. 8 is a perspective view thereof.
Portions of the dental handpiece shown in broken lines form no part of the claimed design.

1 Claim, 4 Drawing Sheets

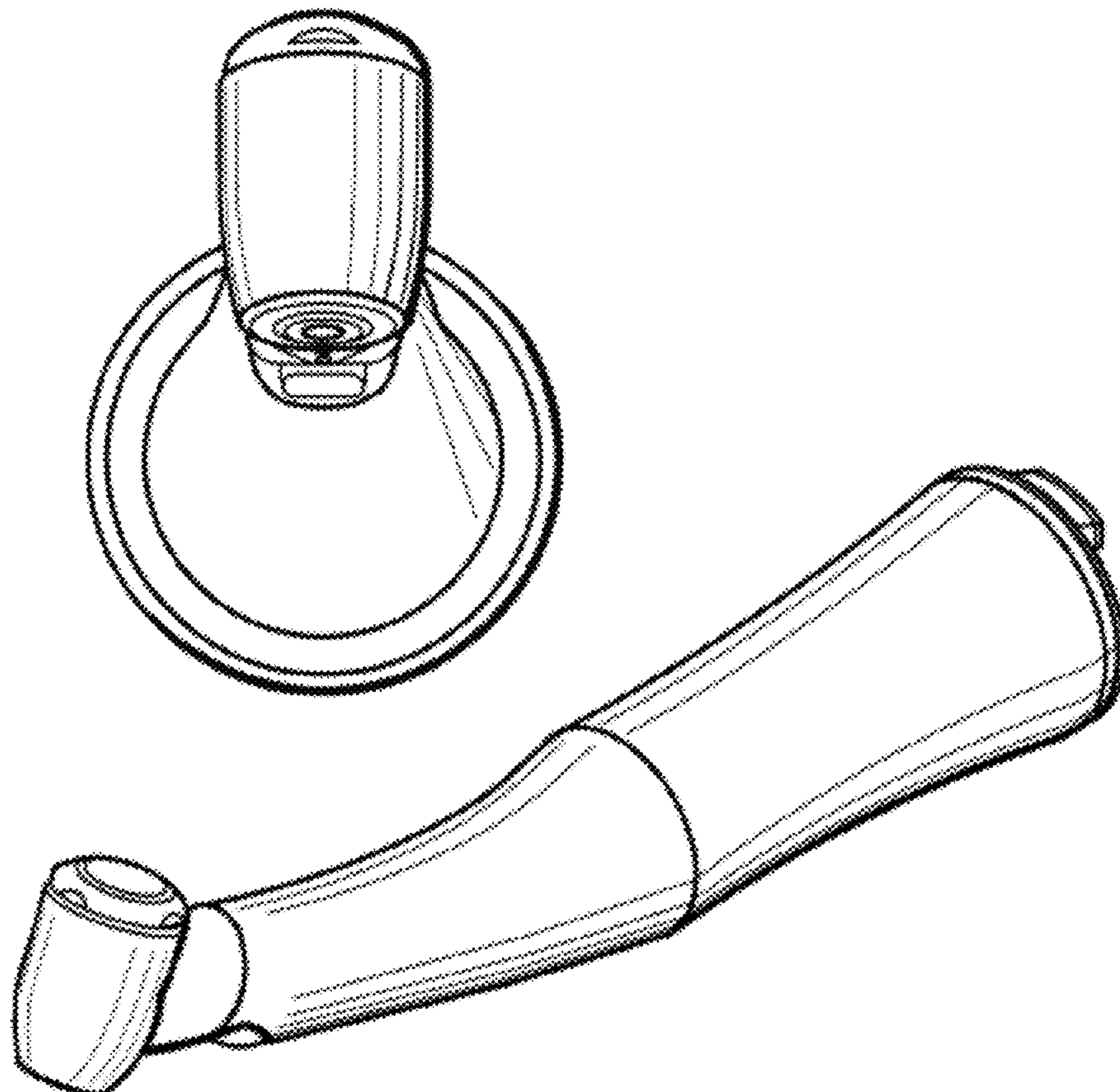


FIG. 1

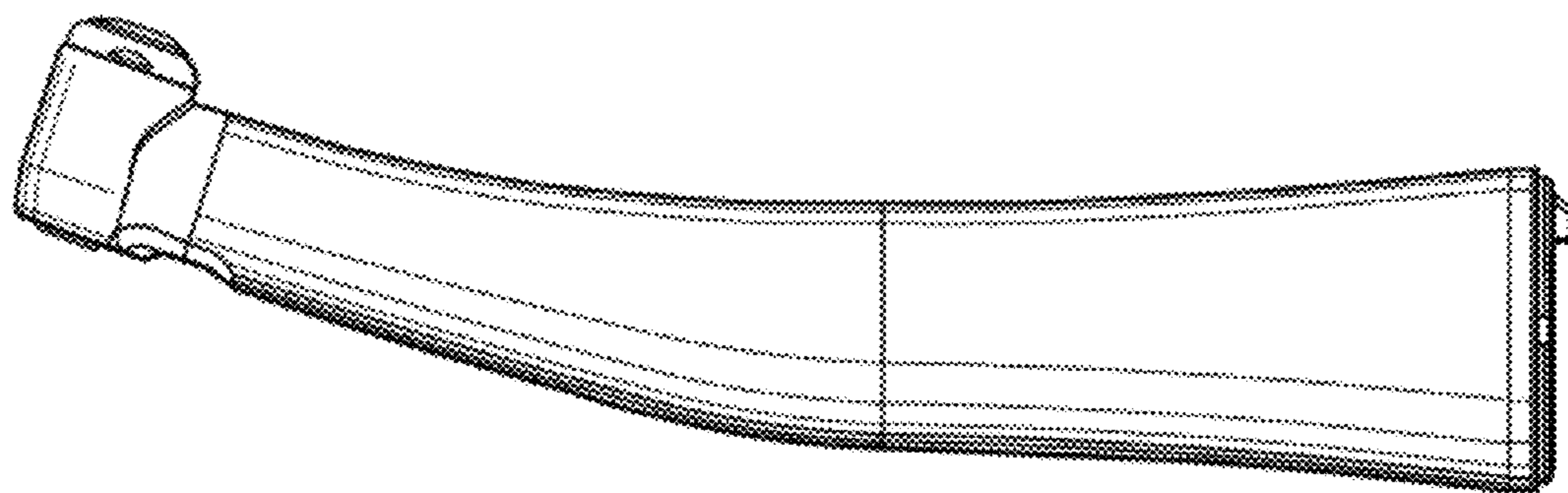


FIG. 2

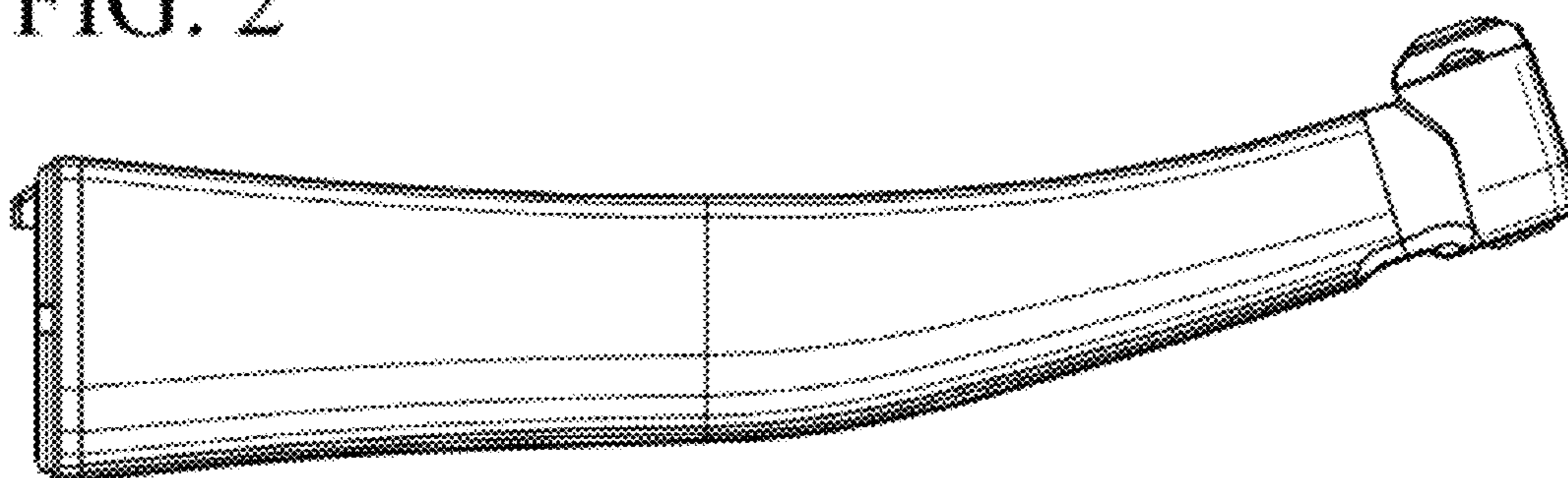


FIG. 3

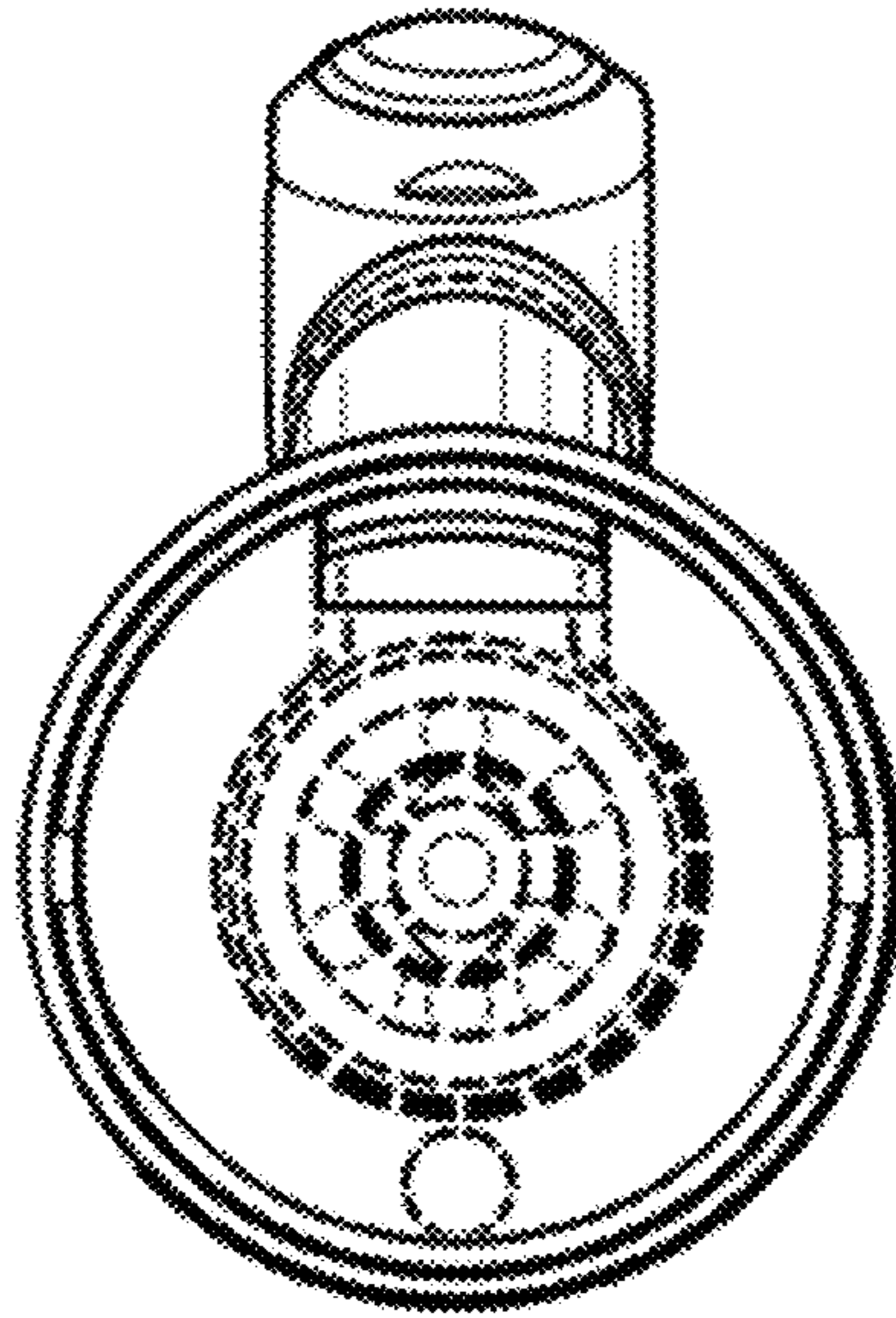


FIG. 4

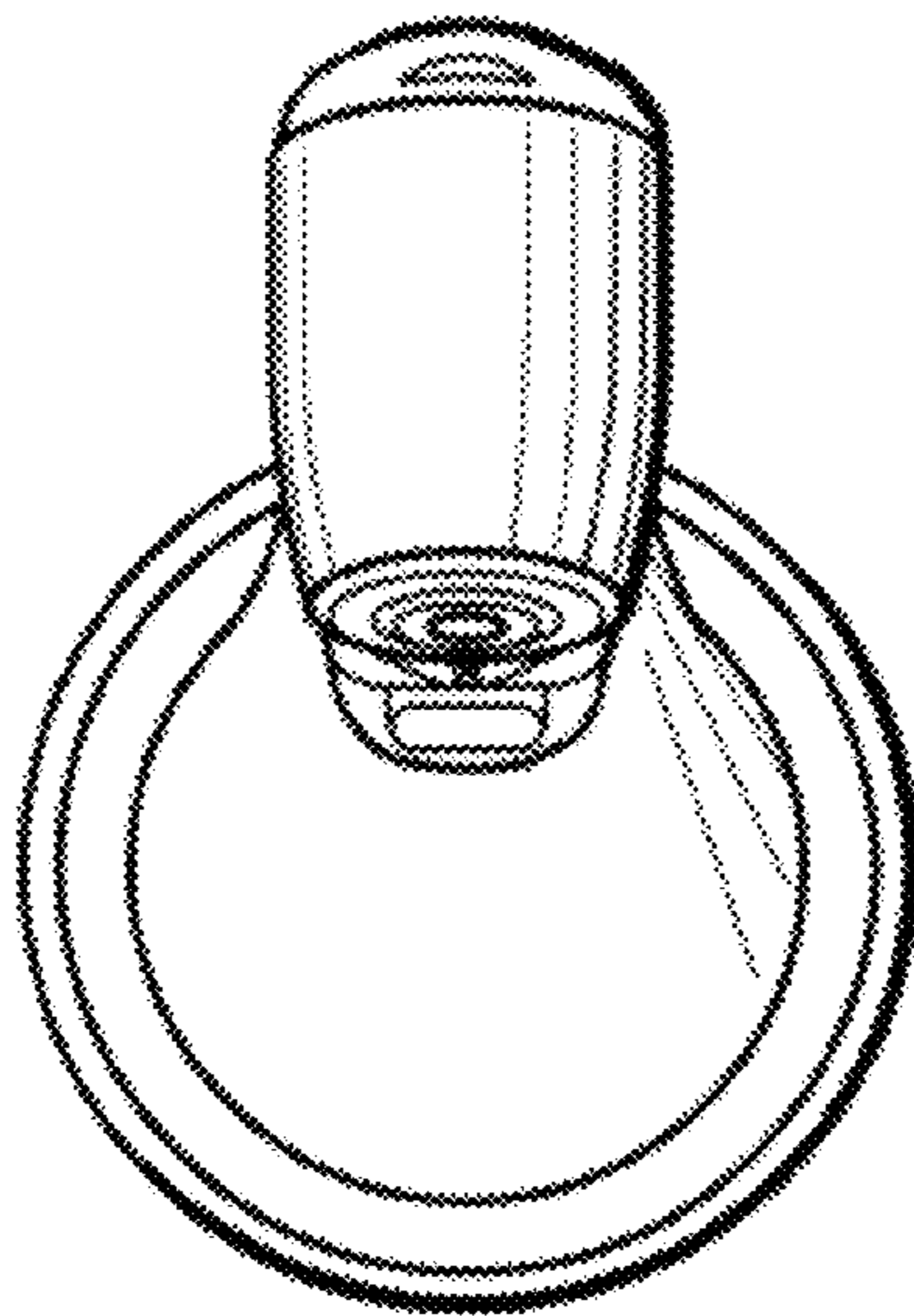


FIG. 5

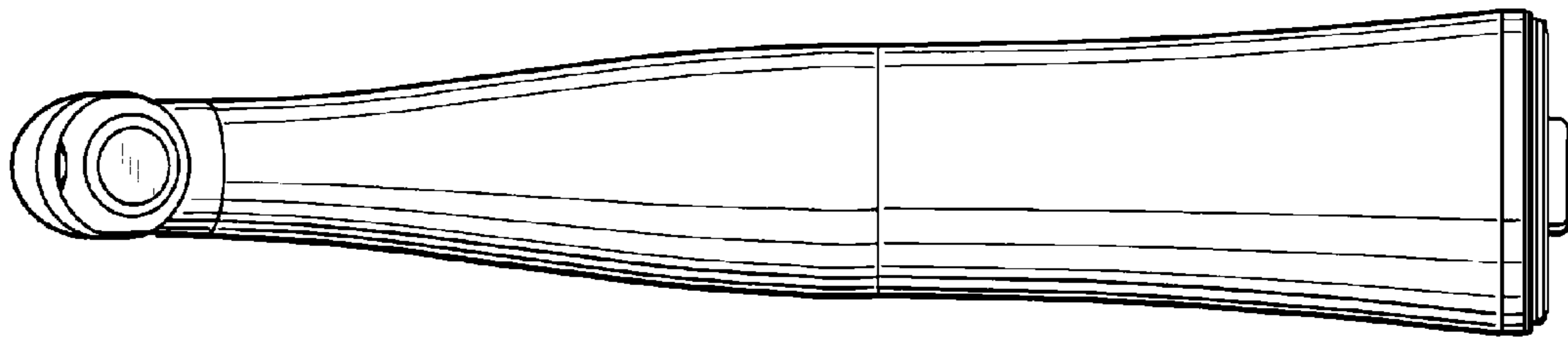


FIG. 6

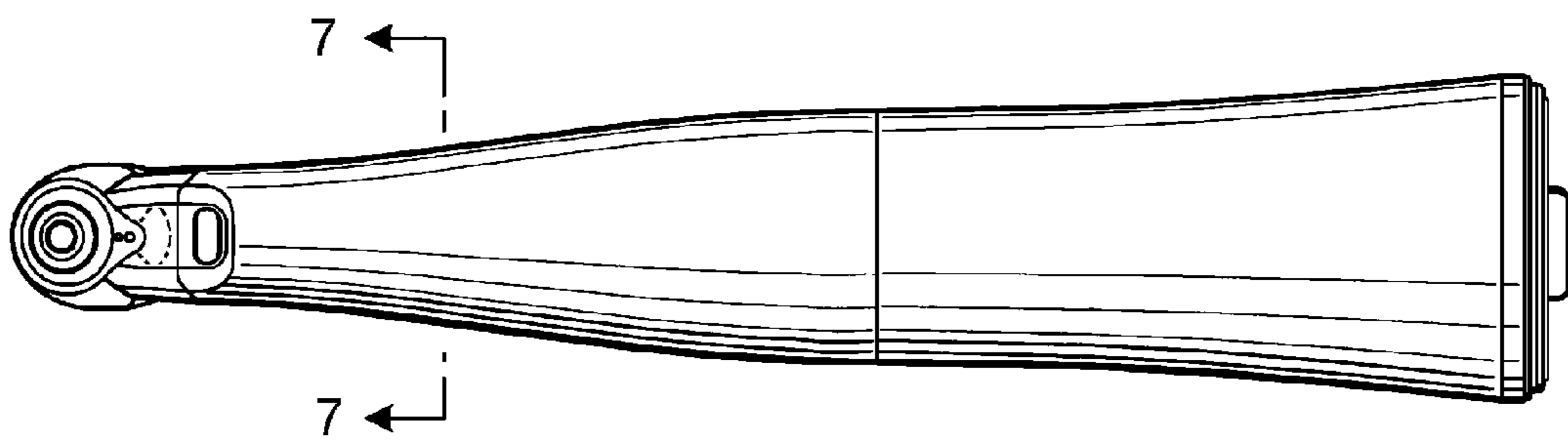


FIG. 7

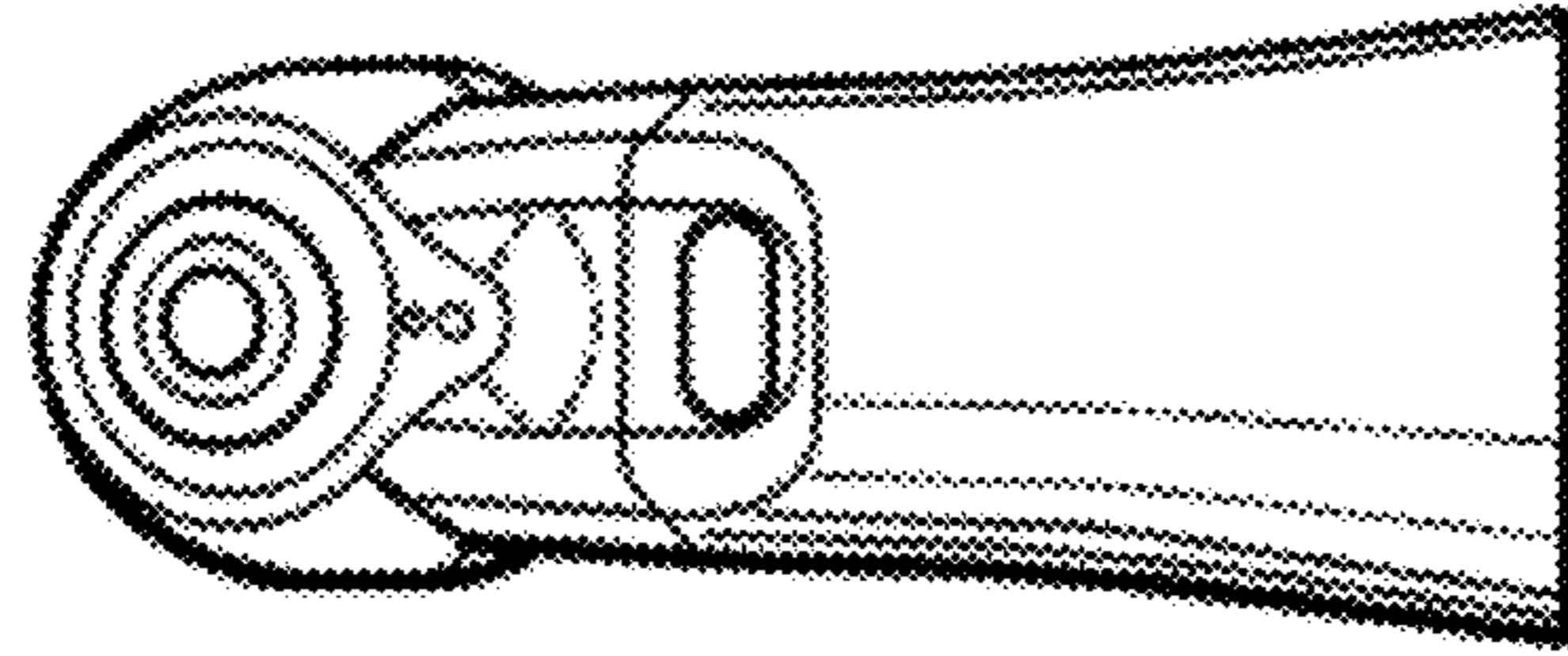


FIG. 8

