



US00D658291S

(12) **United States Design Patent**  
**Jenkins et al.**

(10) **Patent No.:** **US D658,291 S**

(45) **Date of Patent:** **\*\* Apr. 24, 2012**

(54) **ILLUMINATED GUIDEWIRE CONNECTOR**

(75) Inventors: **Thomas Jenkins**, Oakland, CA (US);  
**Eric Goldfarb**, Belmont, CA (US)

(73) Assignee: **Acclarent, Inc.**, Menlo Park, CA (US)

(\*\*) Term: **14 Years**

(21) Appl. No.: **29/375,613**

(22) Filed: **Sep. 24, 2010**

(51) **LOC (9) Cl.** ..... **24-02**

(52) **U.S. Cl.** ..... **D24/140**

(58) **Field of Classification Search** ..... D24/112,  
D24/129, 130, 133, 140, 146, 147; 600/585;  
606/159, 200; 604/510, 528

See application file for complete search history.

(56) **References Cited**

U.S. PATENT DOCUMENTS

5,137,517	A *	8/1992	Loney et al.	604/159
D329,496	S *	9/1992	Wotton	D24/140
5,441,494	A *	8/1995	Ortiz	606/1
7,097,612	B2 *	8/2006	Bertolero et al.	600/37
D586,465	S *	2/2009	Faulkner et al.	D24/146
D586,916	S *	2/2009	Faulkner et al.	D24/146
D590,502	S *	4/2009	Geisser et al.	D24/133
D630,321	S *	1/2011	Hamilton, Jr.	D24/133
D632,791	S *	2/2011	Murner	D24/155
2006/0074318	A1 *	4/2006	Ahmed et al.	600/465
2007/0112358	A1 *	5/2007	Abbott et al.	606/142
2007/0167682	A1	7/2007	Goldfarb et al.	
2008/0154250	A1	6/2008	Makower et al.	
2008/0188870	A1 *	8/2008	Andre et al.	606/130
2008/0228085	A1	9/2008	Jenkins et al.	
2009/0187098	A1	7/2009	Makower et al.	
2010/0087811	A1 *	4/2010	Herrin et al.	606/40

FOREIGN PATENT DOCUMENTS

CN 2352818 12/1999

OTHER PUBLICATIONS

Binner et al. 'Fibre-Optic Transillumination of the Sinuses: A Comparison of the Value of Radiography and Transillumination in Antral Disease' *Clinical Otolaryngology*. (1978) vol. 3 pp. 1-11.

Friedman, et al 'Intraoperative and Postoperative Assessment of Frontal Sinus Patency by Transillumination' *Laryngoscope*. (Apr. 2000) vol. 110 pp. 683-684.

Hybels, R.L. 'Transillumination During Osteoplastic Frontal Sinusotomy' *The Laryngoscope* (Sep. 1981) vol. 91 pp. 1560.

U.S. Appl. No. 11/725,151, filed Mar. 15, 2007.

U.S. Appl. No. 11/803,695, filed May 14, 2007.

U.S. Appl. No. 12/122,884, filed May 19, 2008.

\* cited by examiner

*Primary Examiner* — Bridget L Eland

(74) *Attorney, Agent, or Firm* — Theodore J. Shatynski

(57) **CLAIM**

The ornamental design for an illuminated guidewire connector, as shown and described.

**DESCRIPTION**

FIG. 1 is a front perspective view of an illuminated guidewire connector in accordance with the present invention showing our new design;

FIG. 2 is a rear view thereof;

FIG. 3 is a top view thereof;

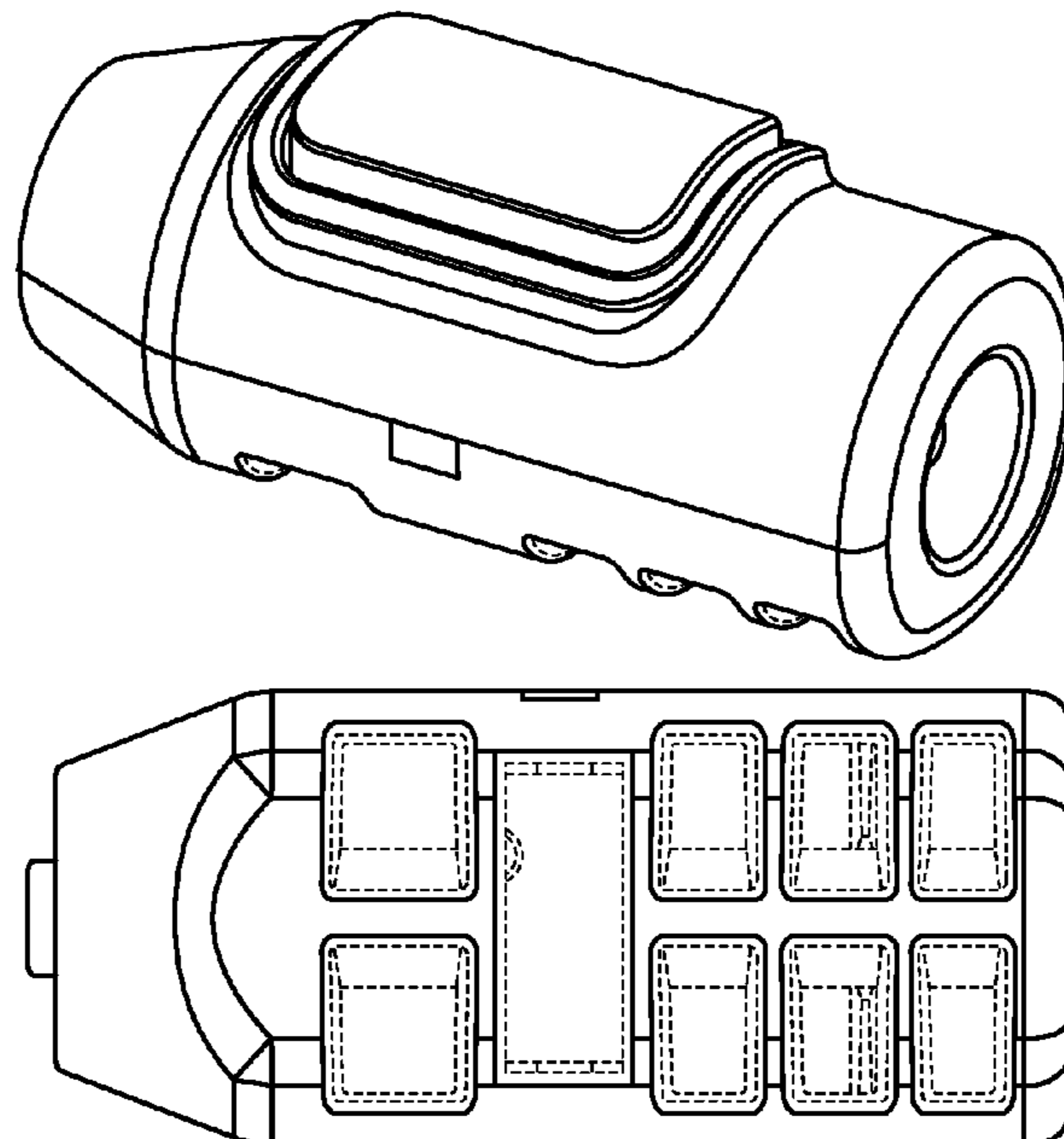
FIG. 4 is a front view thereof;

FIG. 5 is a right side view thereof; and,

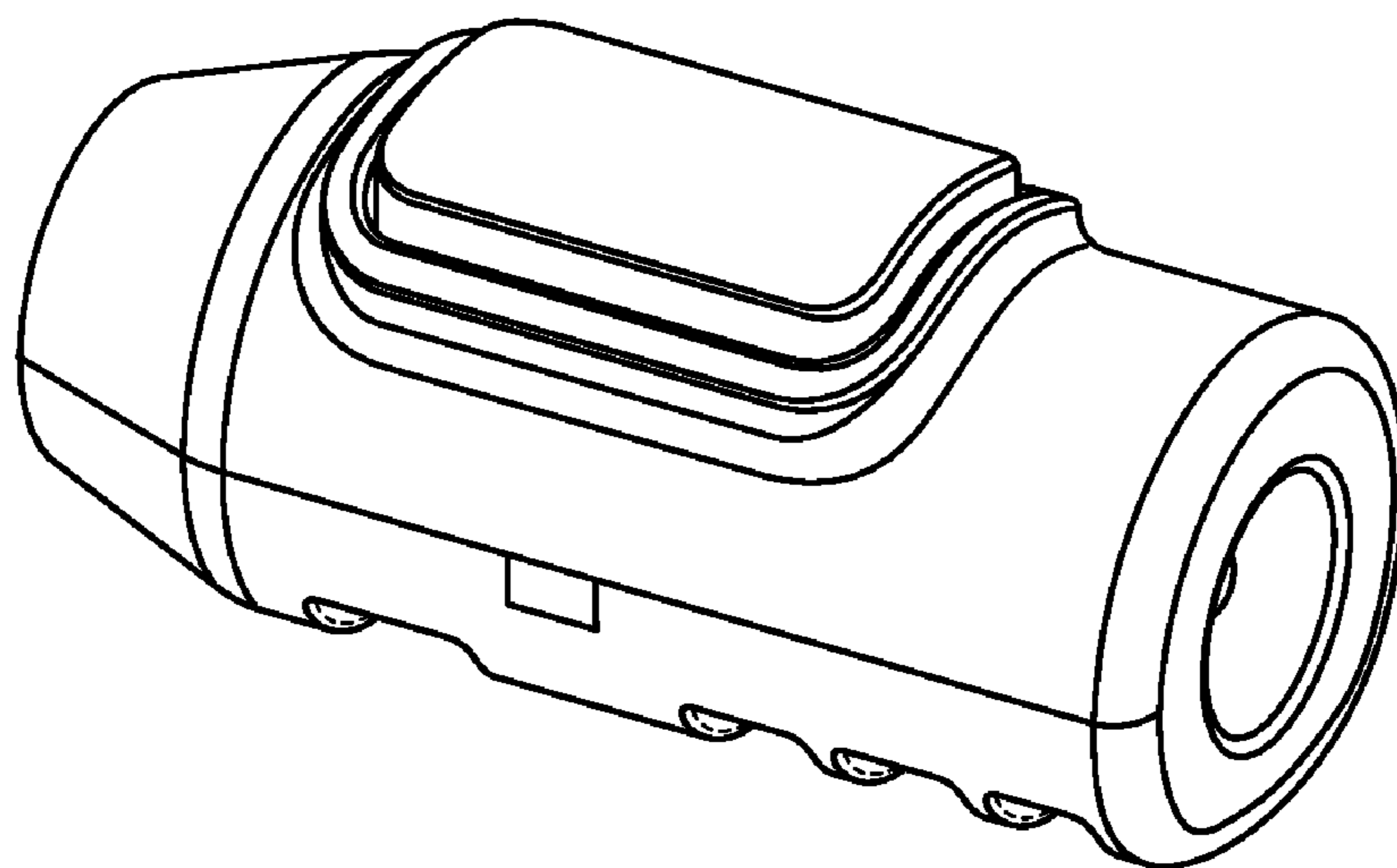
FIG. 6 is a bottom view thereof.

The broken lines immediately adjacent the claimed areas represent the bounds of the claimed design while all other broken lines are directed to environment and are for illustrative purposes only; the broken lines form no part of the claimed design.

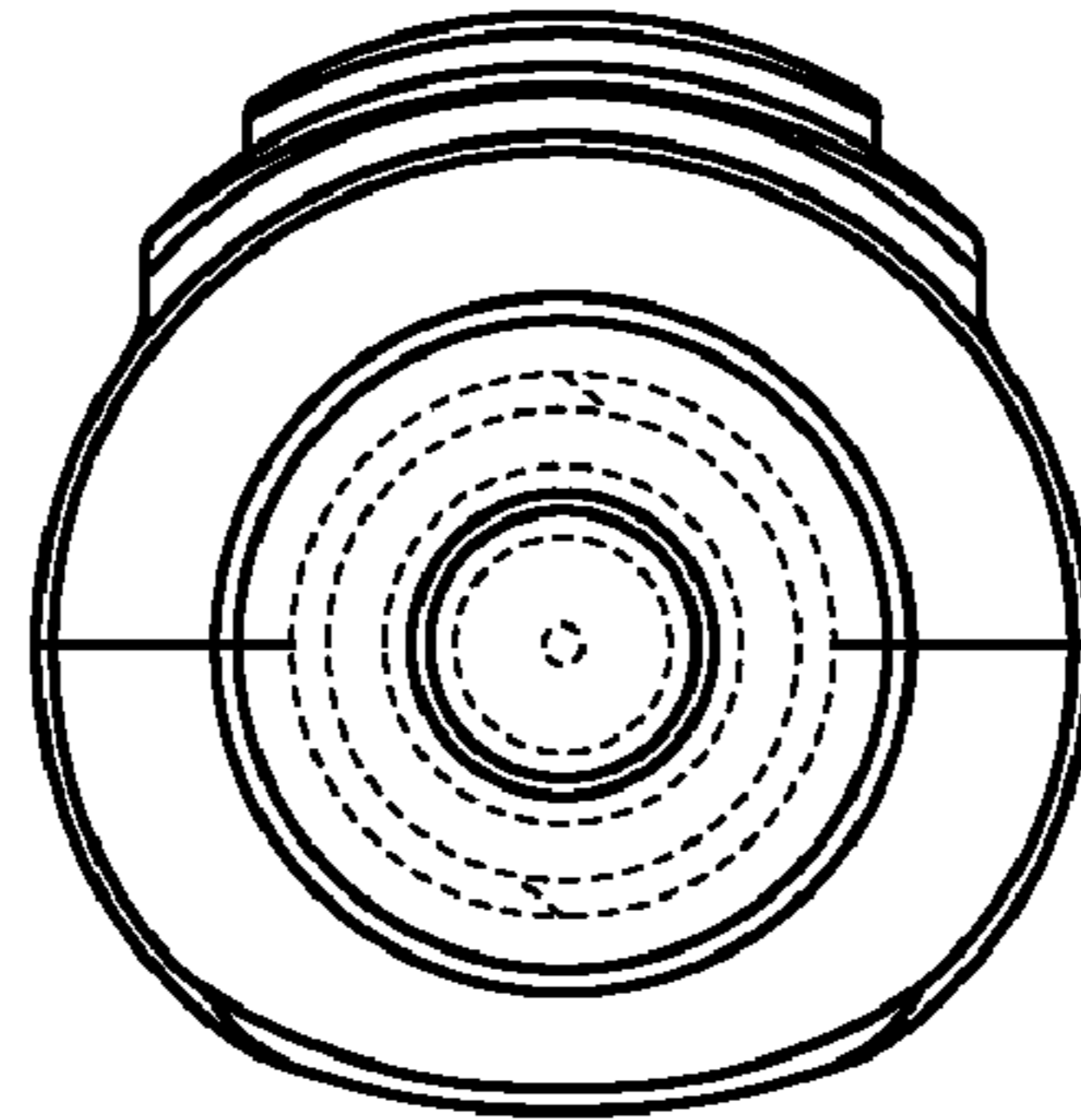
**1 Claim, 3 Drawing Sheets**



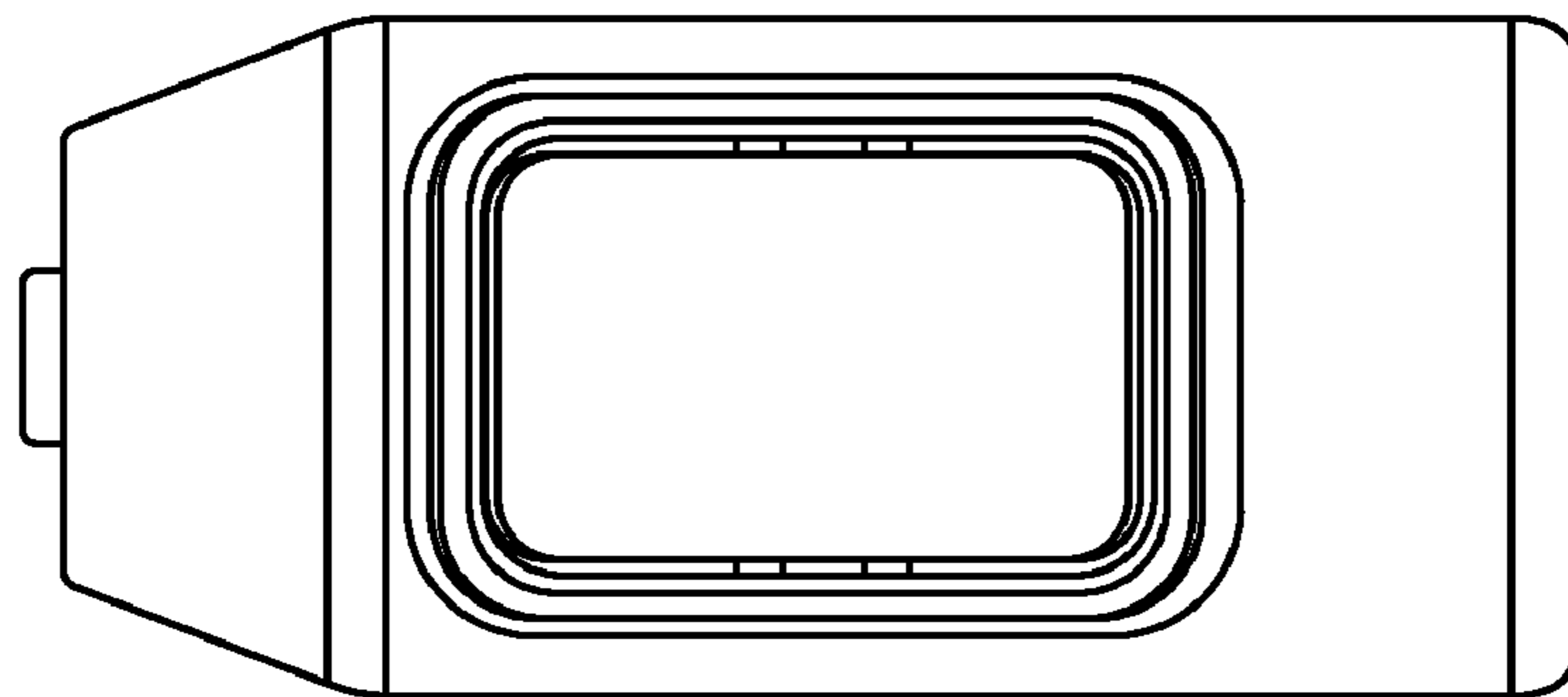
**FIG. 1**



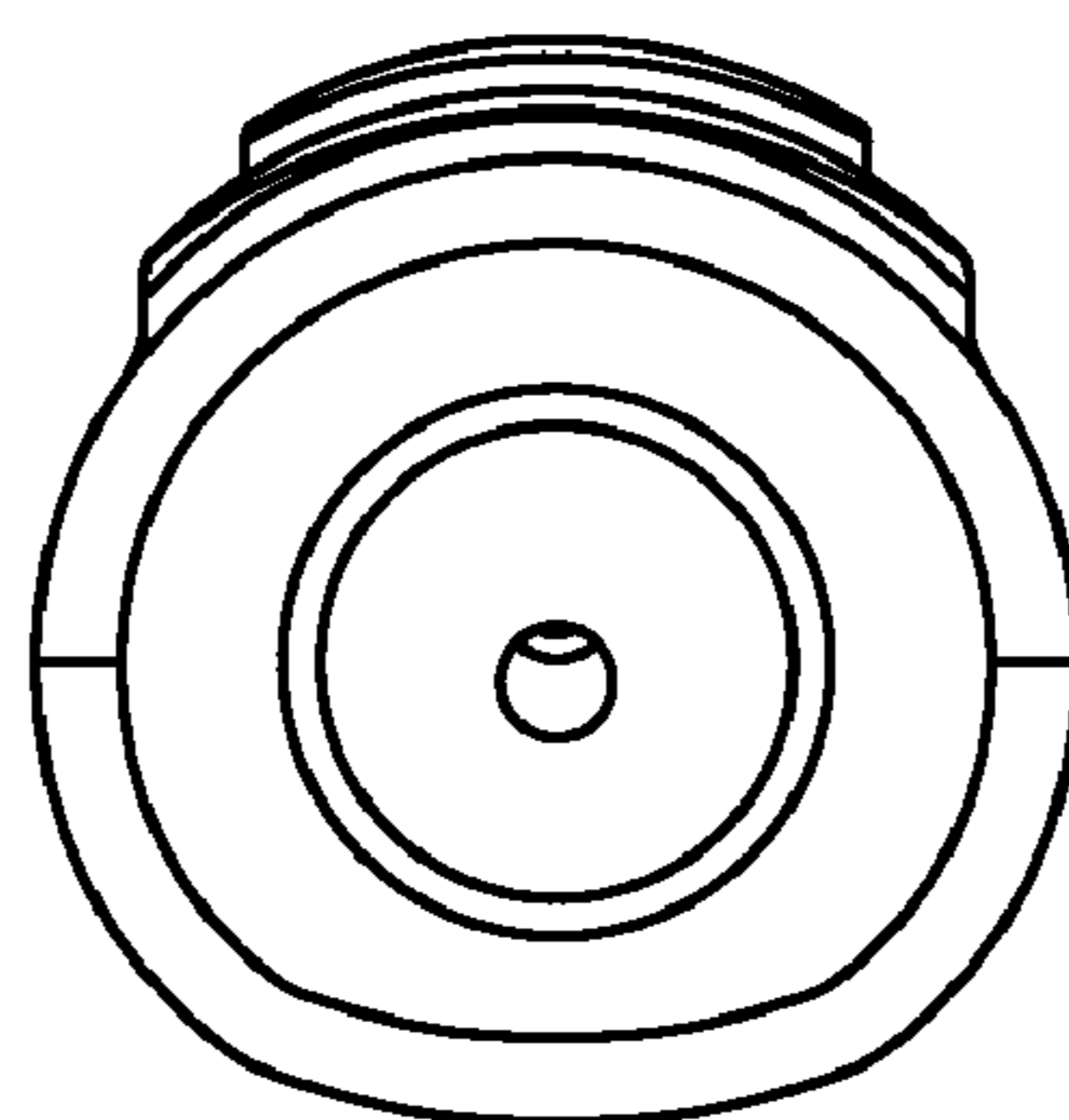
**FIG. 2**



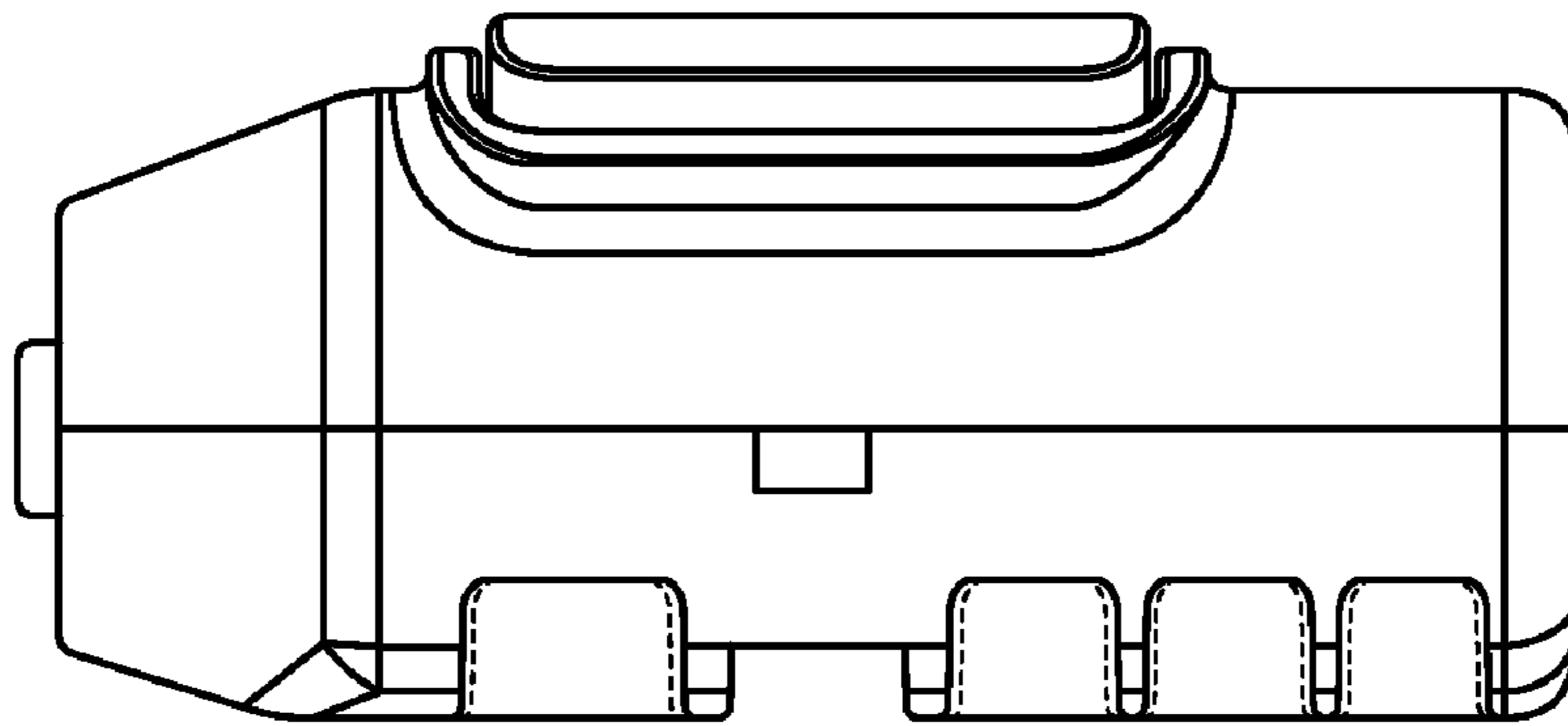
**FIG. 3**



**FIG. 4**



**FIG. 5**



**FIG. 6**

