



US00D658287S

(12) **United States Design Patent**
Ryshkus et al.

(10) **Patent No.:** **US D658,287 S**
(45) **Date of Patent:** **** Apr. 24, 2012**

(54) **INFERIOR ACETABULAR/PIRIFORMIS
RETRACTOR**

(75) Inventors: **Chad Ryshkus**, Kansasville, WI (US);
Jonathan P. Crandall, Fort Wayne, IN
(US); **Douglas J. Roger**, Rancho
Mirage, CA (US)

(73) Assignee: **Greatbatch Ltd.**, Clarence, NY (US)

(**) Term: **14 Years**

(21) Appl. No.: **29/398,357**

(22) Filed: **Jul. 29, 2011**

(51) **LOC (9) Cl.** **24-02**

(52) **U.S. Cl.** **D24/135**

(58) **Field of Classification Search** D24/133,
D24/135, 140; 606/191; 600/201, 210

See application file for complete search history.

(56) **References Cited**

U.S. PATENT DOCUMENTS

3,381,685	A	5/1968	von Solbrig	
3,955,568	A	5/1976	Neufeld	
D275,227	S	8/1984	Garner	
4,642,121	A	2/1987	Keller	
D296,927	S *	7/1988	Rubin	D24/147
D302,297	S *	7/1989	Chechelski	D24/147
4,934,352	A	6/1990	Sullivan	
4,995,875	A *	2/1991	Coes	606/90
D318,116	S	7/1991	Michelson	
5,217,463	A	6/1993	Mikhail	
5,303,694	A *	4/1994	Mikhail	600/214
5,308,349	A *	5/1994	Mikhail	606/88
5,351,680	A	10/1994	Jung	
D393,318	S	4/1998	Wolter	
5,743,853	A	4/1998	Lauderdale	
D395,510	S	6/1998	Furnish	
5,921,919	A *	7/1999	Chin et al.	600/217
D442,687	S	5/2001	Schulz	
D449,689	S	10/2001	Comeau et al.	
6,296,609	B1 *	10/2001	Brau	600/210

6,428,472	B1	8/2002	Haas	
6,679,888	B2	1/2004	Green	
6,855,149	B2	2/2005	Dye	
6,875,173	B2 *	4/2005	Suddaby	600/210
6,926,728	B2	8/2005	Zucherman et al.	
6,929,606	B2 *	8/2005	Ritland	600/201
D522,140	S	5/2006	Stalcup et al.	
D523,142	S	6/2006	Stalcup et al.	
D531,310	S	10/2006	Wolter	
7,214,186	B2	5/2007	Ritland	

(Continued)

FOREIGN PATENT DOCUMENTS

CN 201356580 12/2009

(Continued)

OTHER PUBLICATIONS

Innomed, Bent Hohmann Retractors.

(Continued)

Primary Examiner — Bridget L Eland

(74) Attorney, Agent, or Firm — Steven W. Winn

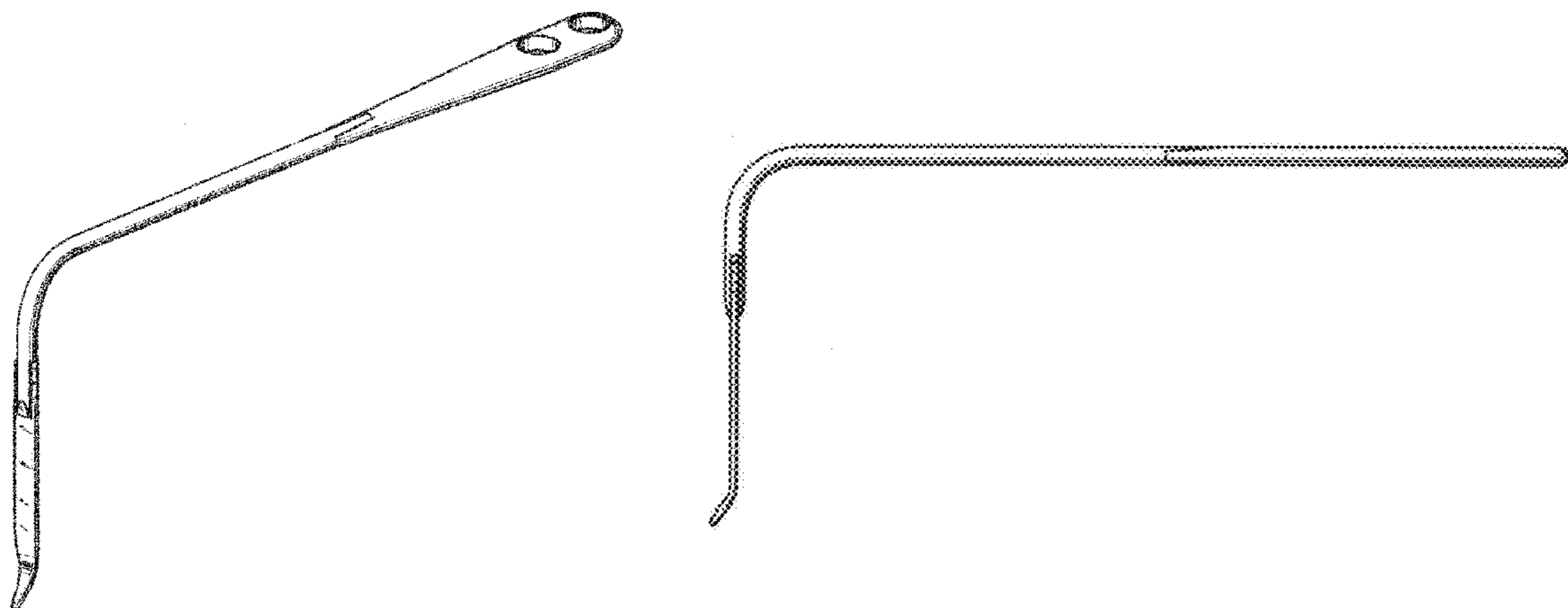
(57) **CLAIM**

The ornamental design for an inferior acetabular/piriformis retractor, as shown and described.

DESCRIPTION

FIG. 1 is a perspective view of an inferior acetabular/piriformis retractor according to the present ornamental design. FIG. 2 is a first end plan view of the inferior acetabular/piriformis retractor shown in FIG. 1. FIG. 3 is a top view of the inferior acetabular/piriformis retractor shown in FIG. 1. FIG. 4 is a side view of the inferior acetabular/piriformis retractor shown in FIG. 1; and, FIG. 5 is a second end plan view of the inferior acetabular/piriformis retractor shown in FIG. 1.

1 Claim, 5 Drawing Sheets



US D658,287 S

Page 2

U.S. PATENT DOCUMENTS

D568,471	S	5/2008	Engler	
7,468,077	B2	12/2008	Rochetin	
D589,145	S	3/2009	Miller	
D628,291	S	11/2010	Palmer et al.	
D629,896	S	12/2010	Horton	
7,909,848	B2	3/2011	Patel et al.	
2005/0059978	A1	3/2005	Sherry et al.	
2005/0182301	A1	8/2005	Acker et al.	
2007/0021655	A1	1/2007	Sayeg et al.	
2007/0060795	A1	3/2007	Vayser et al.	
2007/0066872	A1*	3/2007	Morrison et al.	600/212
2007/0208226	A1	9/2007	Grey et al.	
2007/0260122	A1*	11/2007	Murphy	600/201
2009/0216089	A1	8/2009	Davidson	

FOREIGN PATENT DOCUMENTS

EP	0986329	11/2009
JP	2003310624	11/2003

OTHER PUBLICATIONS

Innomed, Cobra Retractors.

Innomed, Minimally Invasive Hip Surgery Retractors.

Innomed, Mueller-Type Femoral Neck Retractor.

* cited by examiner

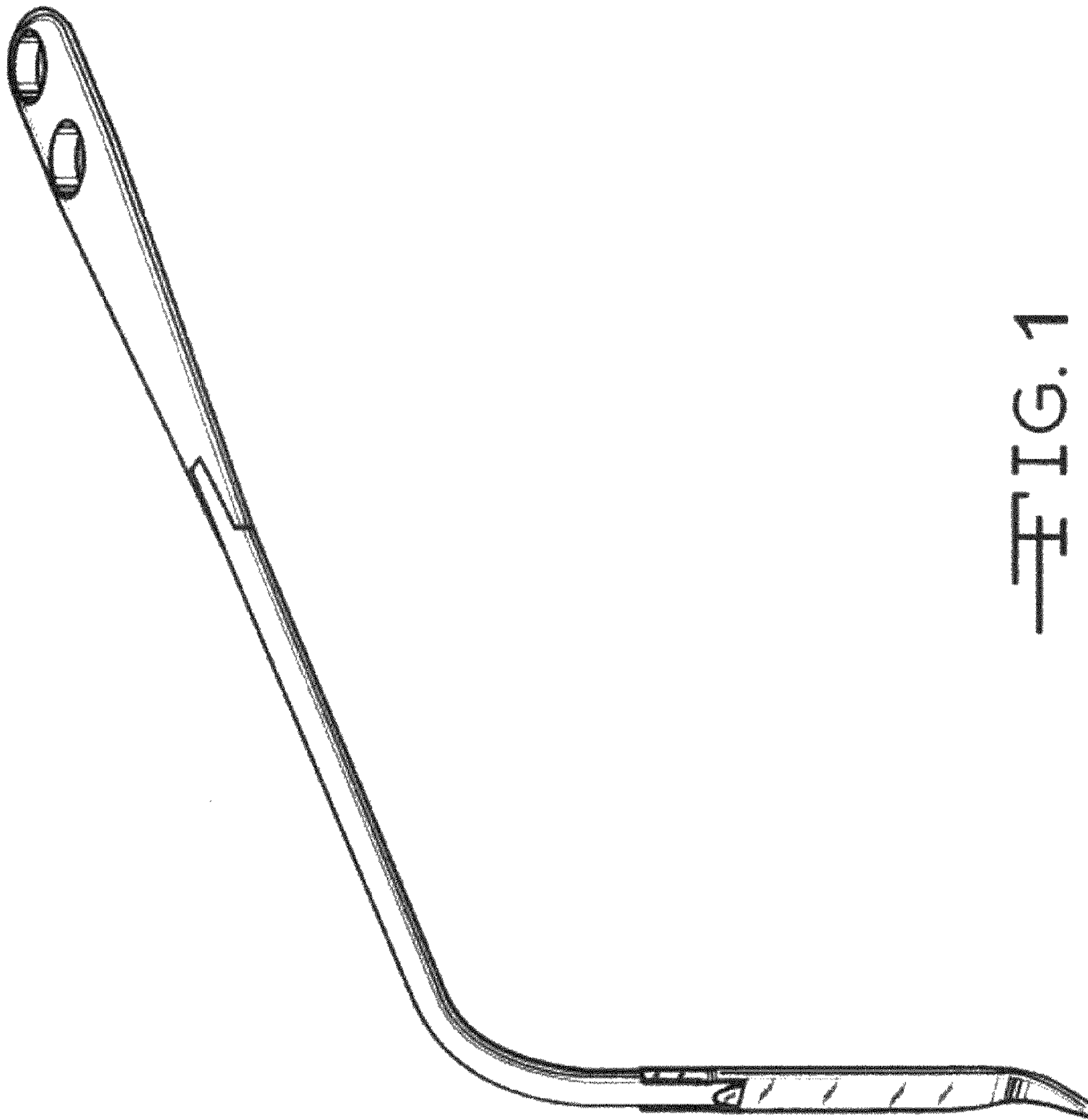


FIG. 1

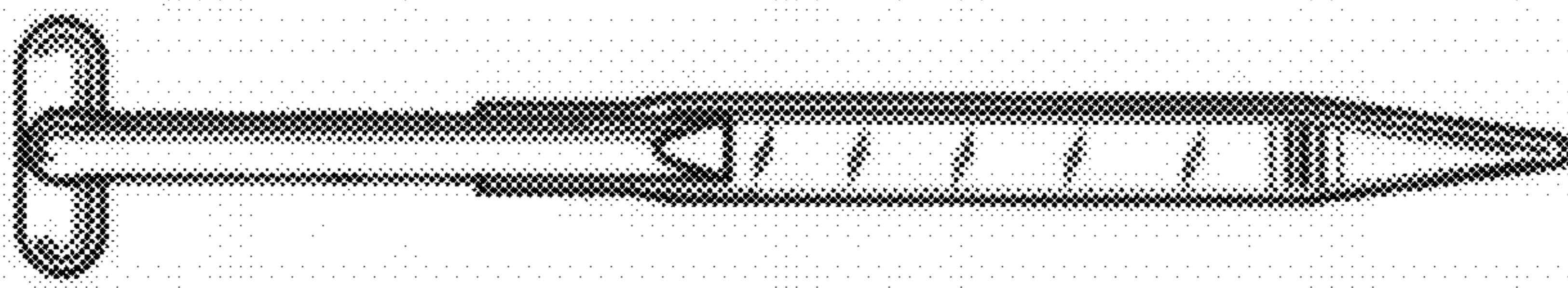


FIG. 2

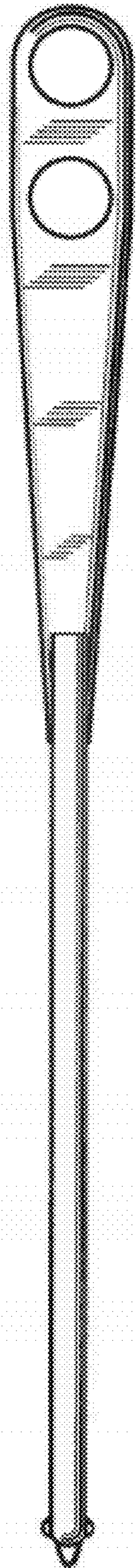


FIG. 3

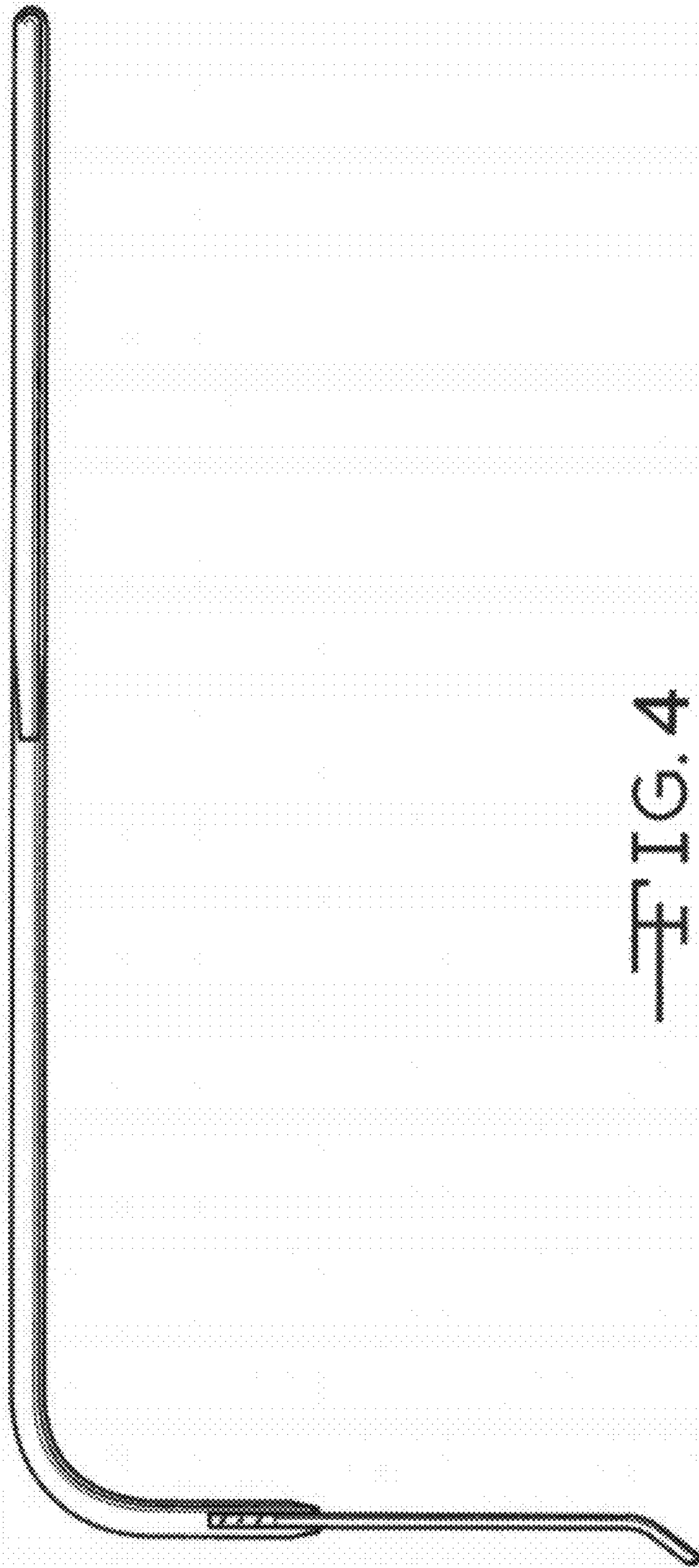


FIG. 4

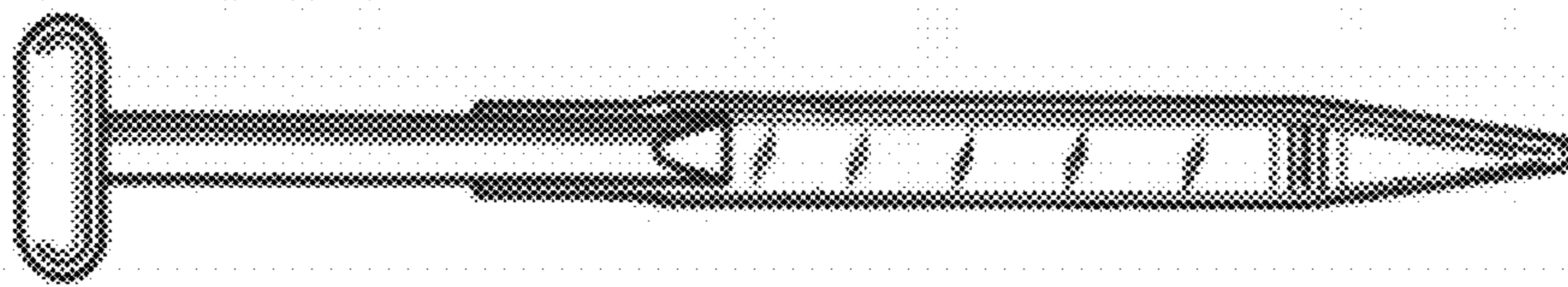


FIG. 5