



US00D658284S

(12) **United States Design Patent**
Nashed

(10) **Patent No.:** **US D658,284 S**

(45) **Date of Patent:** **** Apr. 24, 2012**

(54) **DISPOSABLE ANESTHESIA FACE MASK**

(76) Inventor: **Ramses Nashed**, Tierra Verde, FL (US)

(**) Term: **14 Years**

(21) Appl. No.: **29/372,062**

(22) Filed: **Oct. 8, 2010**

Related U.S. Application Data

(63) Continuation of application No. 29/315,733, filed on Jul. 20, 2009, now Pat. No. Des. 625,405.

(51) **LOC (9) Cl.** **29-02**

(52) **U.S. Cl.** **D24/110.1; D24/110.4**

(58) **Field of Classification Search** D24/110.1,
D24/110.4-110.5; 128/206.24, 206.28, 206.12,
128/207.13, 205.25

See application file for complete search history.

(56) **References Cited**

U.S. PATENT DOCUMENTS

D285,496	S	*	9/1986	Berman	D24/110.4
D293,613	S	*	1/1988	Wingler	D24/110.1
D300,473	S	*	3/1989	Roush	D24/110.4
D323,908	S	*	2/1992	Hollister et al.	D24/110.4
5,540,223	A	*	7/1996	Starr et al.	128/205.25
D388,873	S	*	1/1998	Richards et al.	D24/110.4
5,738,094	A	*	4/1998	Hoftman	128/206.24
D397,215	S	*	8/1998	Hoftman	D24/110.4
D411,297	S	*	6/1999	Rosiello et al.	D24/110.4
D598,537	S	*	8/2009	Nashed	D24/110.1

D615,643	S	*	5/2010	Nashed	D24/110.1
2006/0185675	A1	*	8/2006	Colin	128/206.24
2008/0295845	A1	*	12/2008	Nashed	128/206.26

* cited by examiner

Primary Examiner — Wan Laymon

(74) *Attorney, Agent, or Firm* — Ronald E. Smith; Smith & Hopen, P.A.

(57) **CLAIM**

The ornamental design for a disposable anesthesia face mask, as shown and described.

DESCRIPTION

FIG. 1 is a front elevational view of the disposable anesthesia face mask showing my new design; FIG. 2 is a rear elevational view thereof; FIG. 3 is a top plan view thereof; FIG. 4 is a bottom plan view thereof; FIG. 5 is a right side elevational view thereof; FIG. 6 is a left side elevational view thereof; and, FIG. 7 is a right side elevational view thereof showing my new design in use position.

The even broken line immediately adjacent to the claimed design represents the bounds of the claimed design. The dash-dot-dash line represents a human form in FIG. 7 which forms no part of the claimed invention. The dash-dot-dash line showing a portion of the cushion is included for the purpose of illustrating environmental structure and forms no part of the claimed design. None of the broken lines form any part of the claimed design.

1 Claim, 4 Drawing Sheets

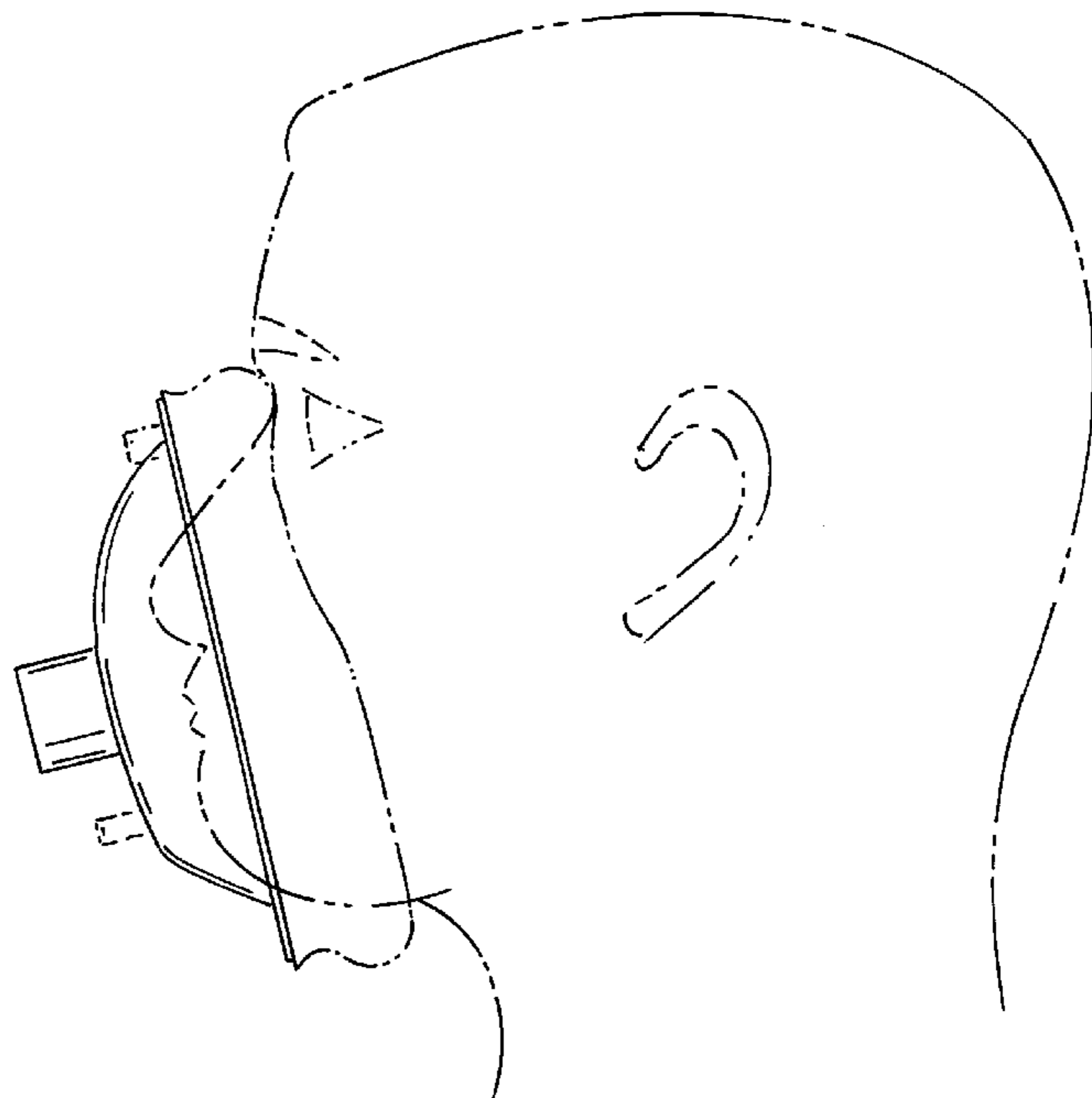
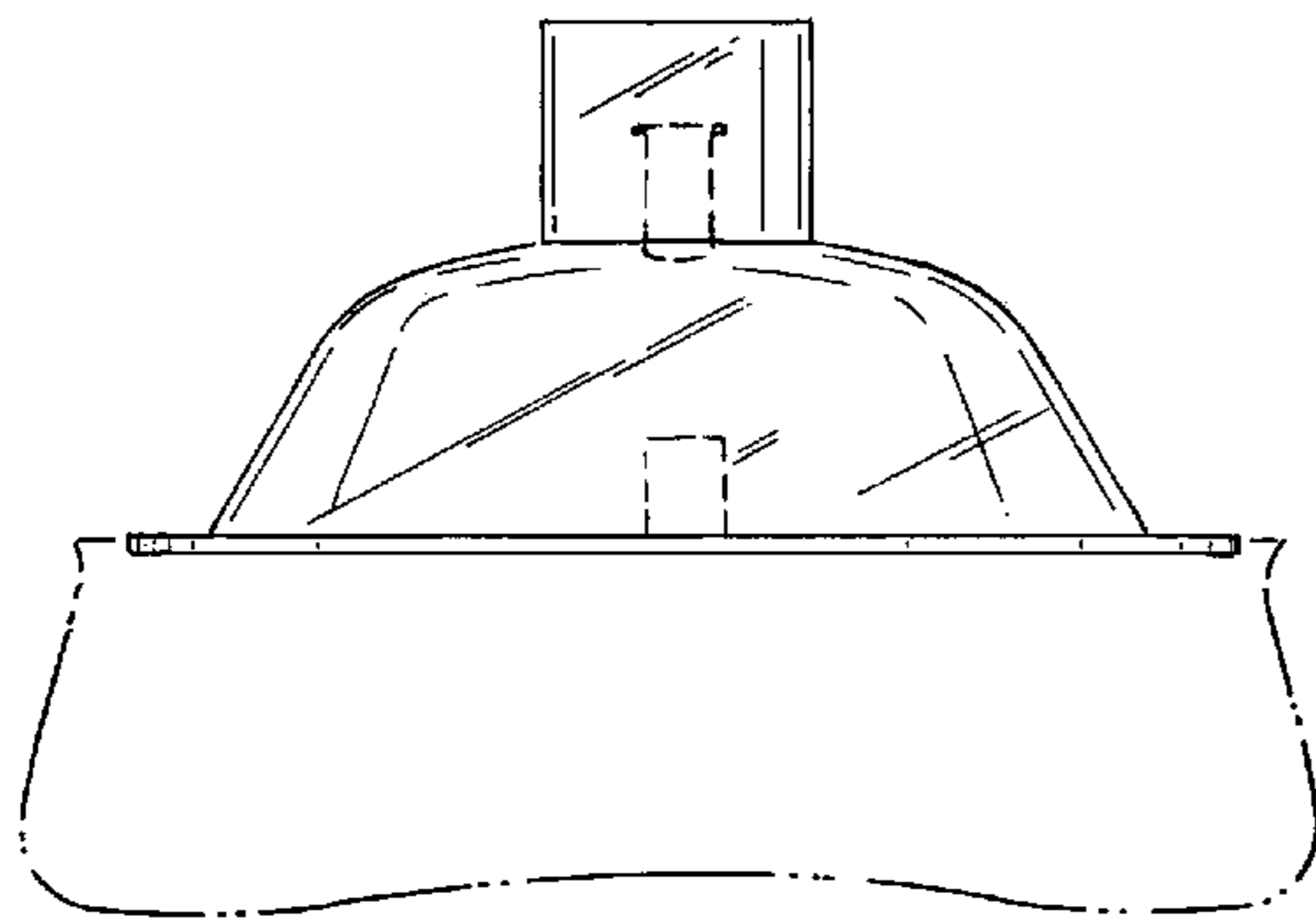


FIG. 1

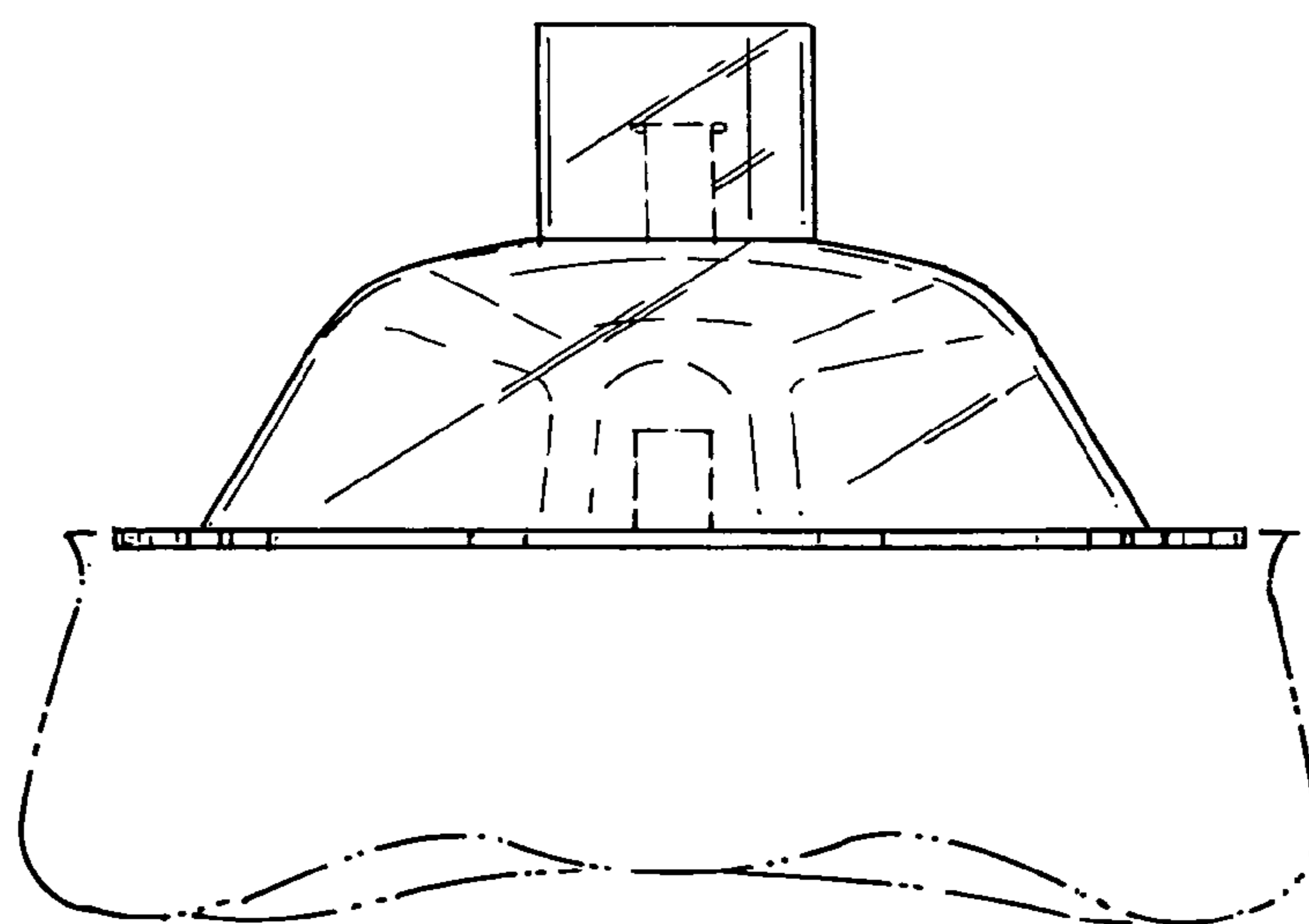
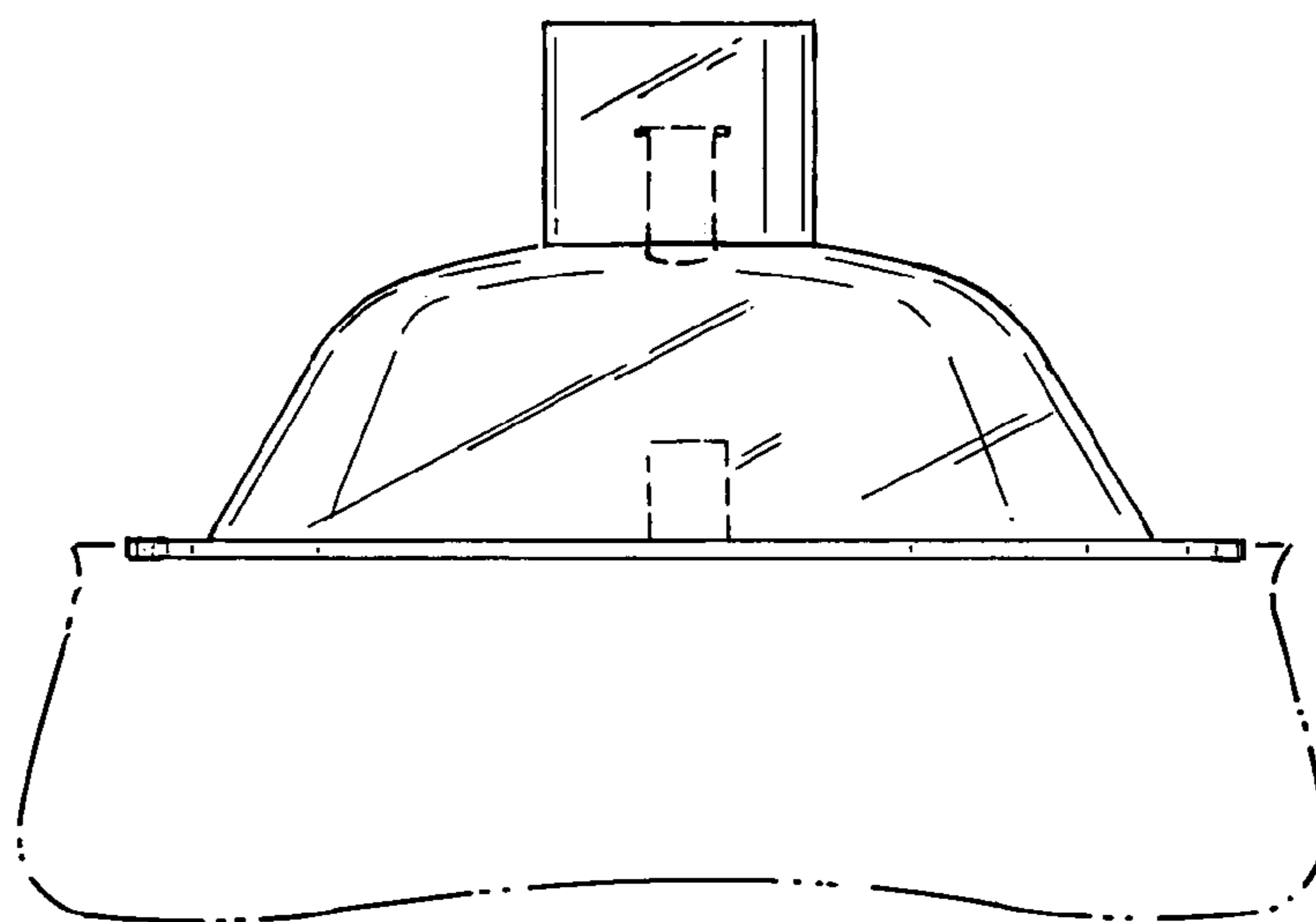


FIG. 2

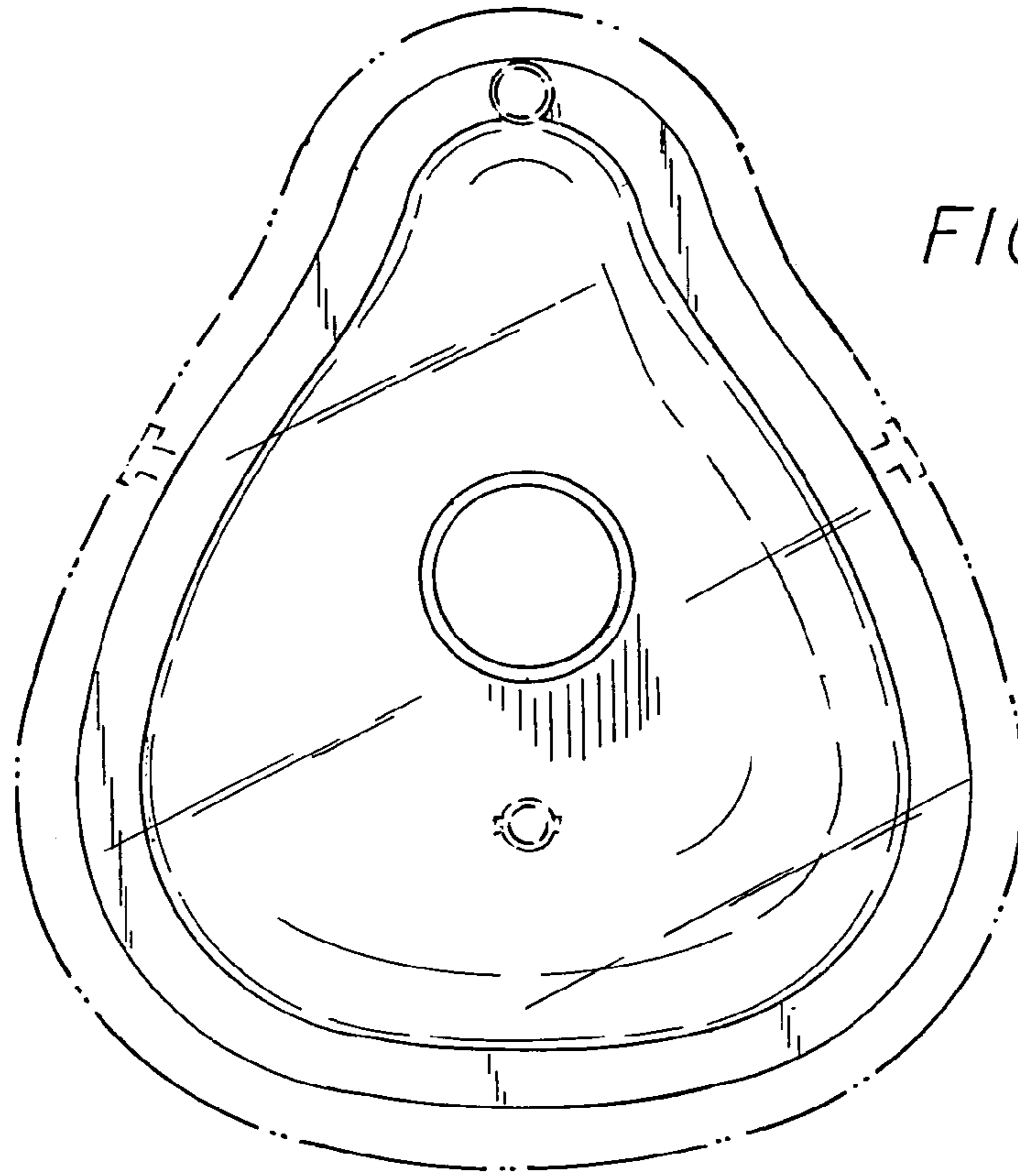


FIG. 3

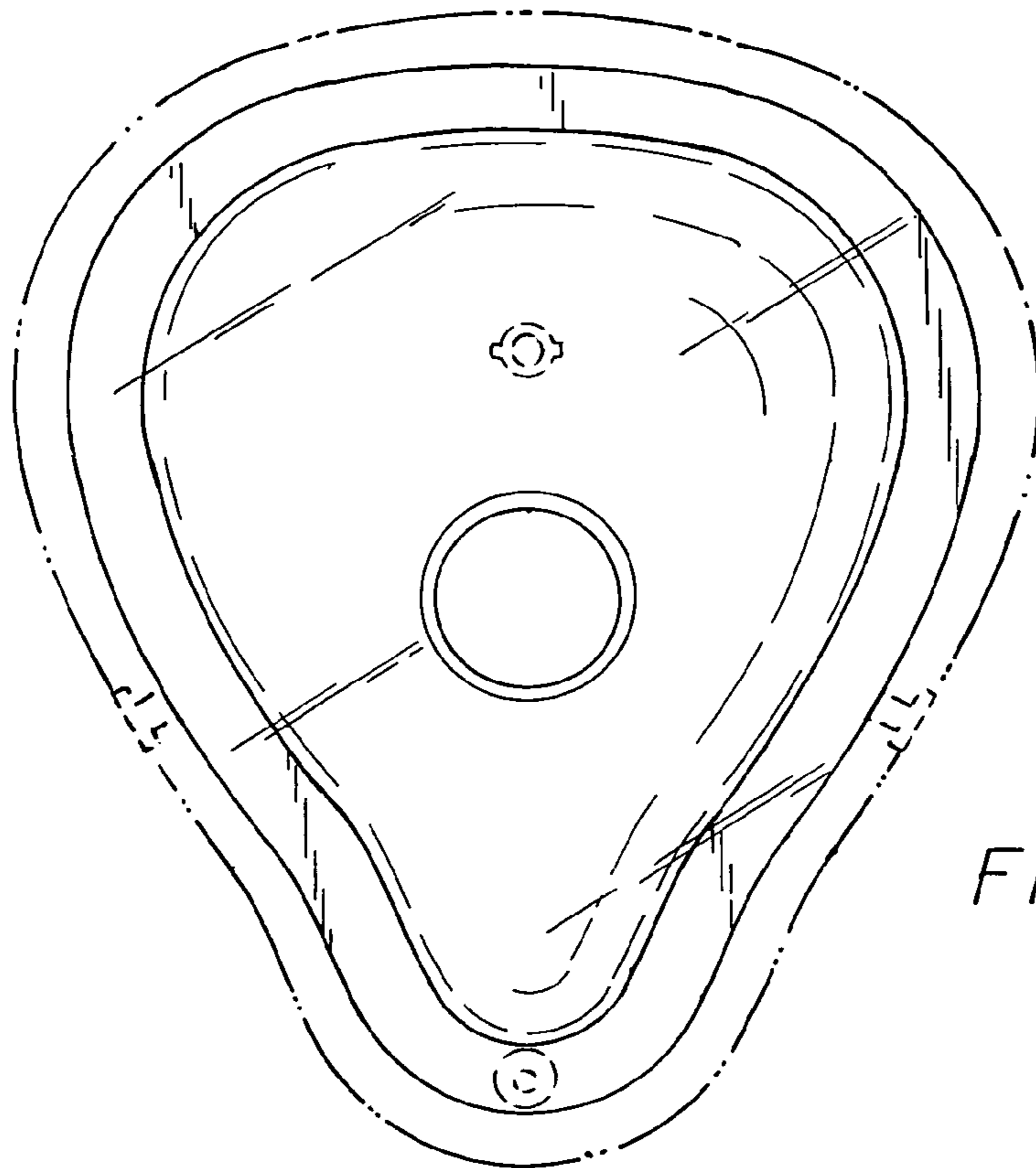


FIG. 4

FIG. 5

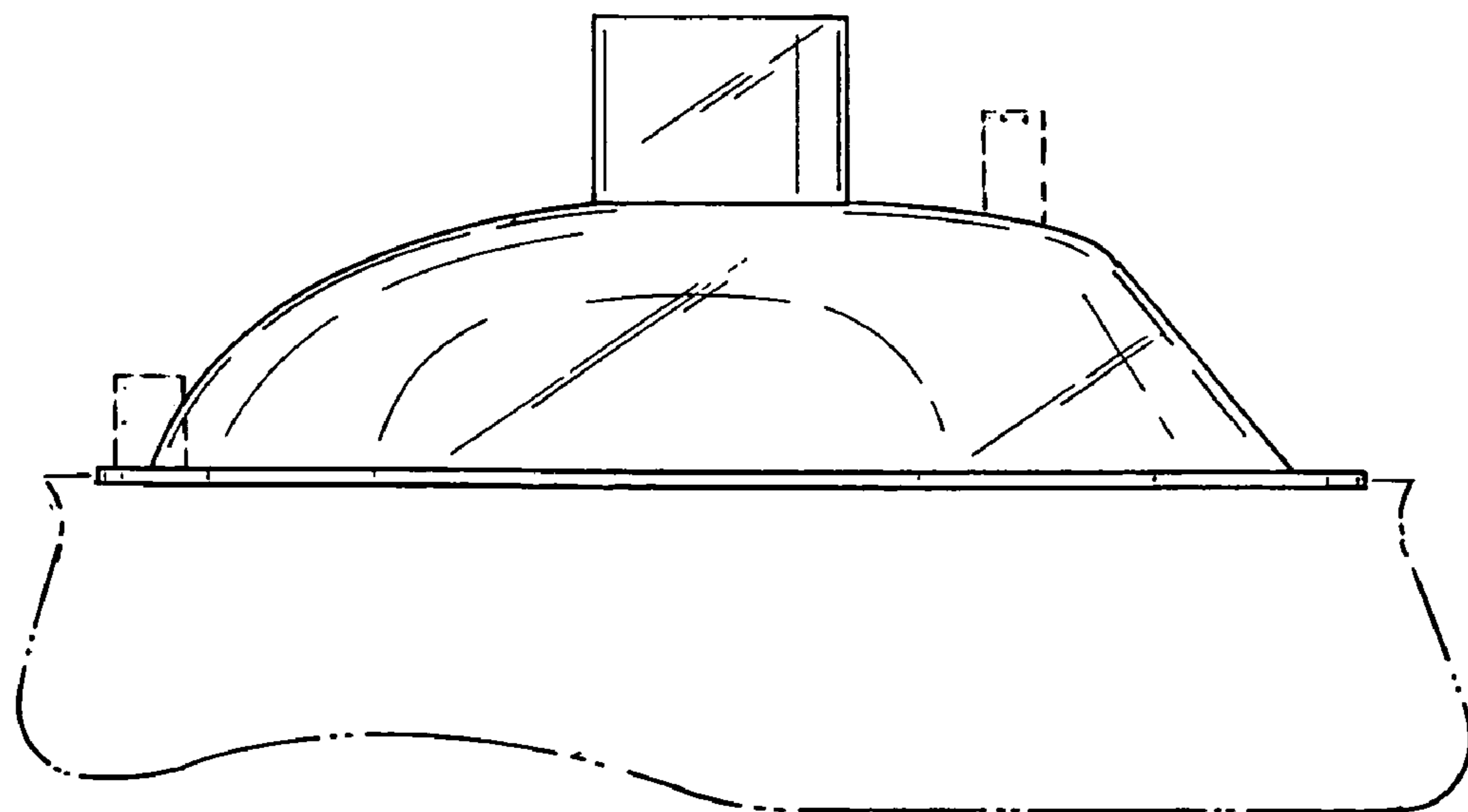
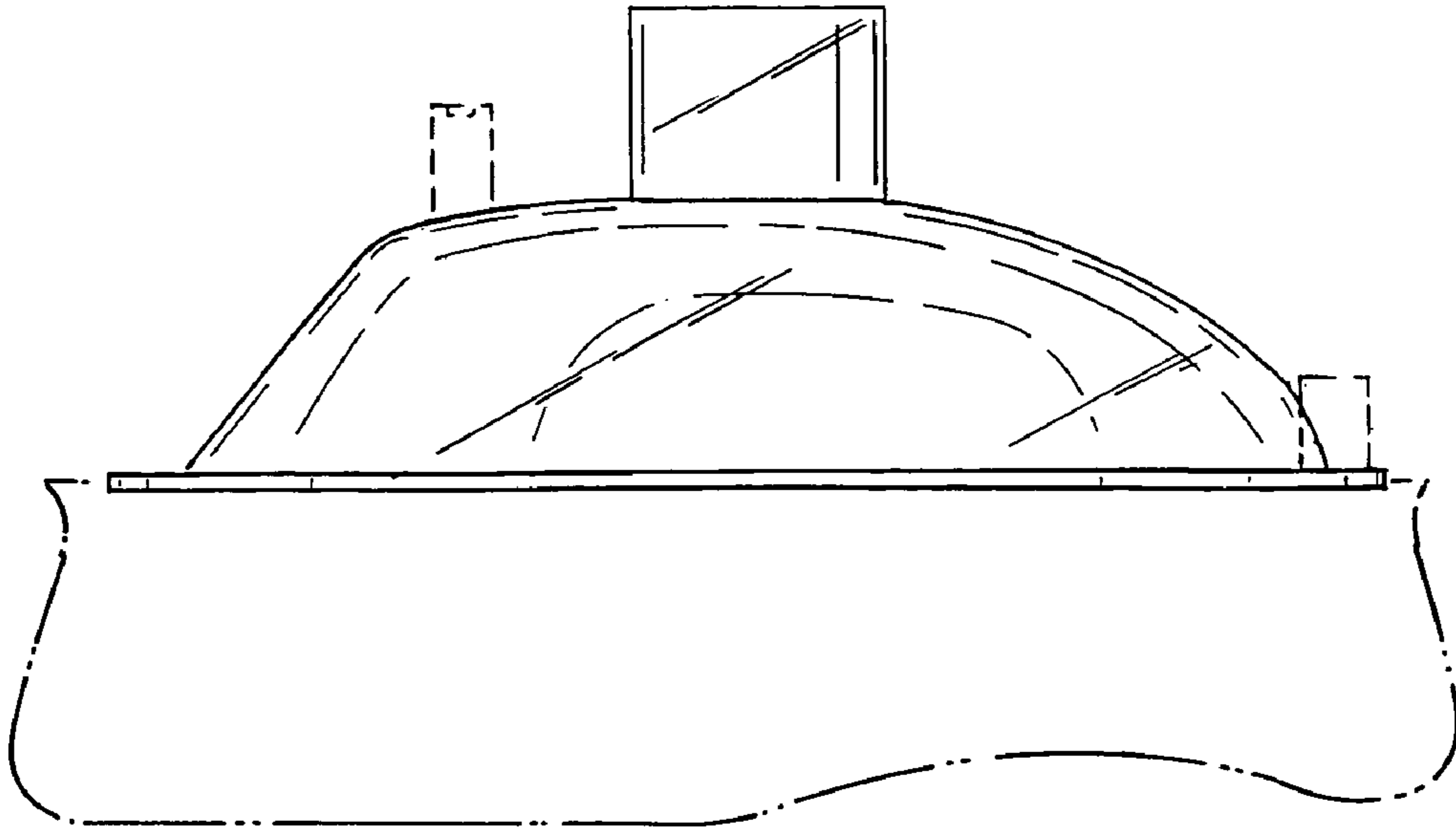


FIG. 6

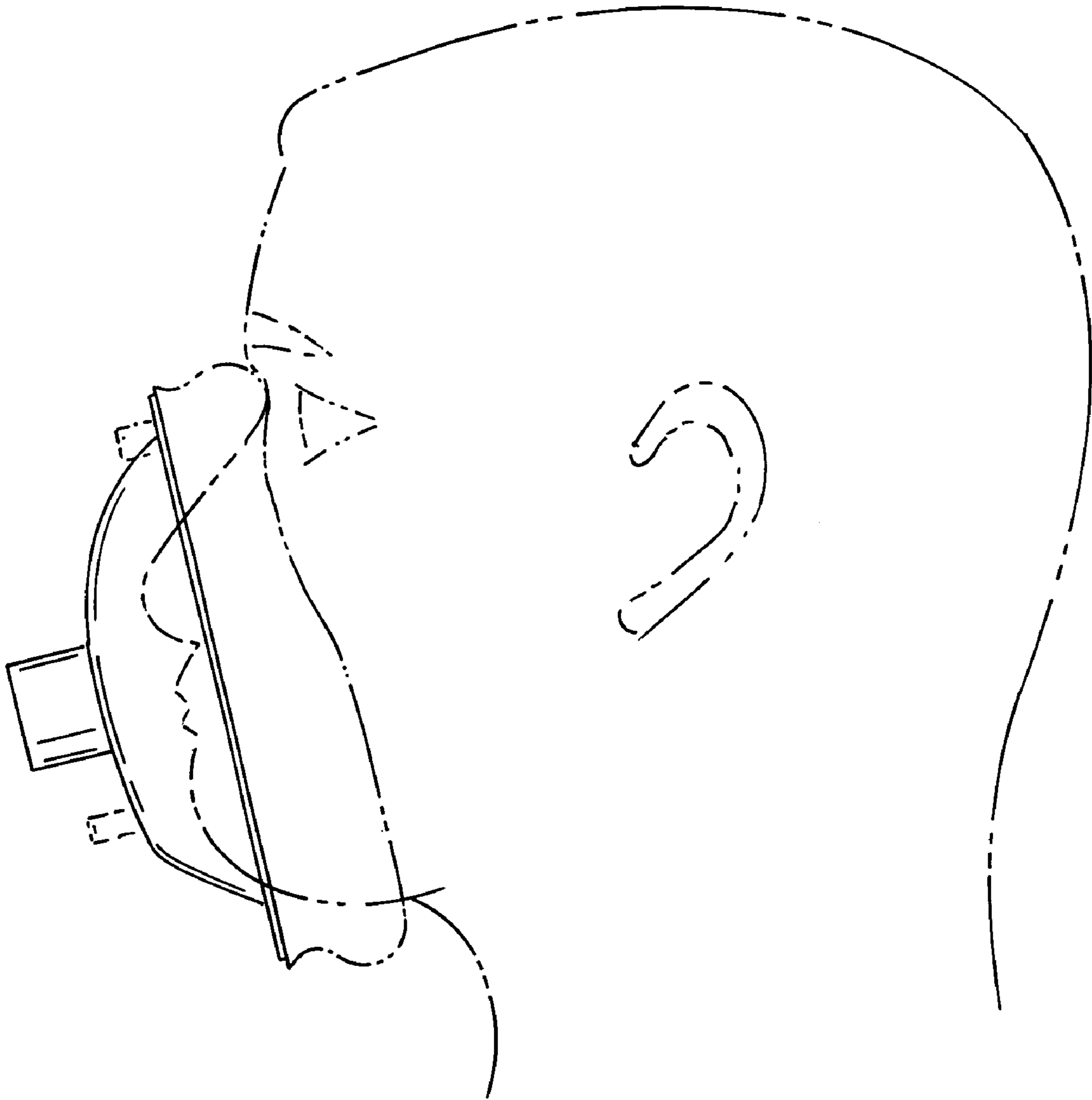


FIG. 7