



US00D658282S

(12) **United States Design Patent**
Falco

(10) **Patent No.:** **US D658,282 S**
(45) **Date of Patent:** **** Apr. 24, 2012**

- (54) **EARPLUG TIP**
- (75) Inventor: **Robert Nicolo Falco**, Indianapolis, IN (US)
- (73) Assignee: **3M Innovative Properties Company**, St. Paul, MN (US)
- (**) Term: **14 Years**
- (21) Appl. No.: **29/353,984**
- (22) Filed: **Jan. 18, 2010**

5,080,110 A	1/1992	Weldon et al.	
D372,070 S	7/1996	Zak et al.	
5,564,431 A *	10/1996	Seward	600/528
D377,493 S *	1/1997	Oda et al.	D15/5
5,607,152 A *	3/1997	Strassburger	473/451
D398,531 S	9/1998	De Vries	
D399,212 S *	10/1998	Roderweiss et al.	D15/5
D412,118 S	7/1999	Rodea	
D432,604 S *	10/2000	Scheiner	D21/714
D435,330 S *	12/2000	Soergel	D2/866
6,226,865 B1	5/2001	Tanikawa et al.	
6,234,812 B1	5/2001	Ivers et al.	
D443,259 S *	6/2001	Okubo	D14/167

(Continued)

Related U.S. Application Data

- (62) Division of application No. 29/337,625, filed on May 27, 2009.
- (51) **LOC (9) Cl.** **24-04**
- (52) **U.S. Cl.** **D24/106**
- (58) **Field of Classification Search** D24/106; 181/130, 135, 128-129; 128/864-865; D14/135-138, 147-148, 247-248, 509
See application file for complete search history.

FOREIGN PATENT DOCUMENTS

CA 18732 8/1952
(Continued)

Primary Examiner — Elizabeth Albert
Assistant Examiner — Kelley Donnelly
(74) *Attorney, Agent, or Firm* — Craig A. Deutsch; Karl Hanson

(57) **CLAIM**
I claim, the ornamental design for an earplug tip, as shown and described.

(56) **References Cited**

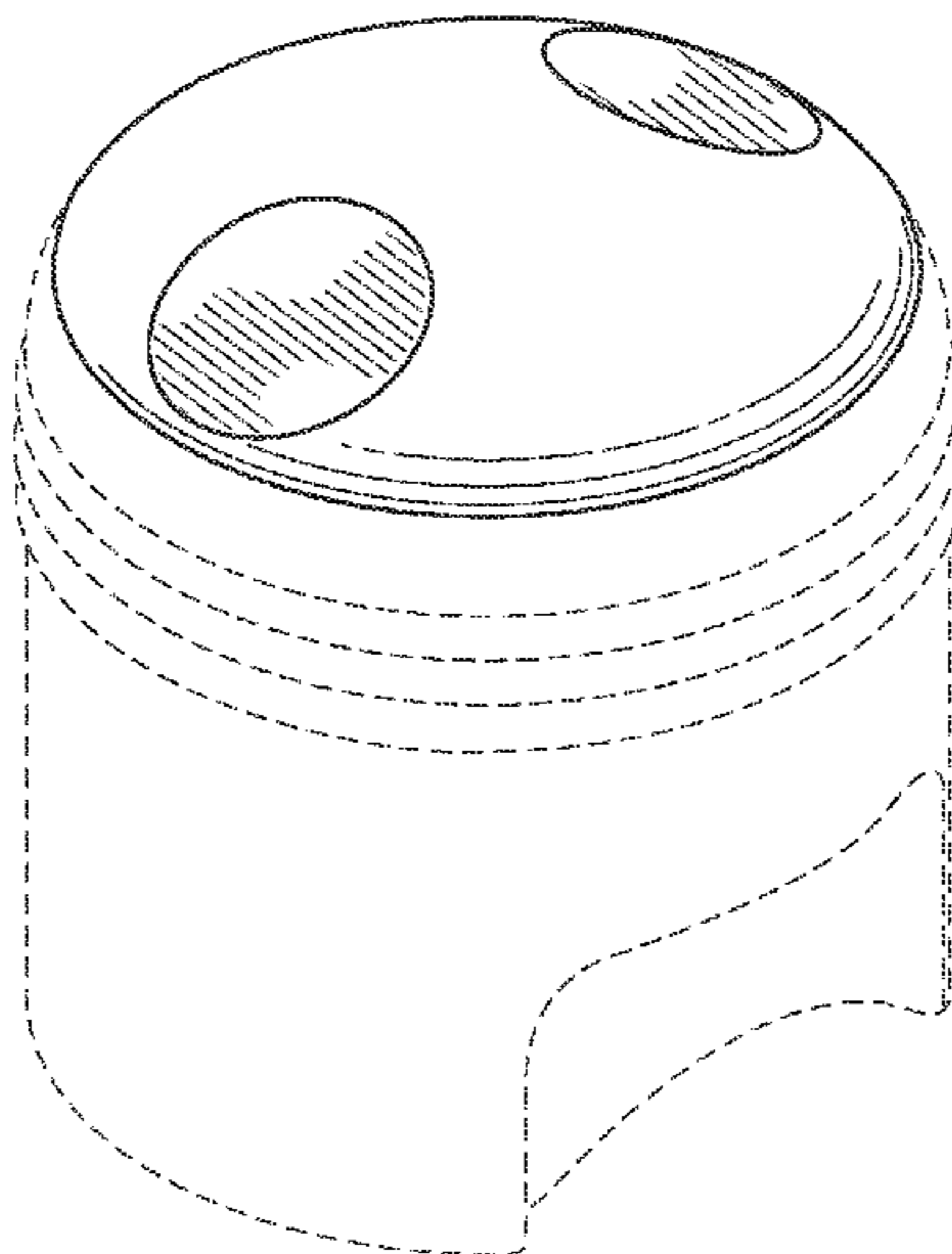
U.S. PATENT DOCUMENTS

D124,880 S	1/1941	Teunisz	
3,005,564 A	10/1961	Weishselbaum	
3,020,333 A	2/1962	Bangert et al.	
3,850,361 A	11/1974	Day et al.	
D237,853 S	12/1975	Katz	
D247,160 S	2/1978	LaCroce et al.	
D248,873 S	8/1978	Raitto	
D254,446 S	3/1980	Raitto	
D265,129 S	6/1982	Leight	
D267,429 S *	12/1982	Harada	D24/174
D267,512 S	1/1983	Carlsson et al.	
4,375,016 A *	2/1983	Harada	181/135
4,541,377 A *	9/1985	Amos	123/307
4,576,430 A	3/1986	Dufresne	
D321,128 S	10/1991	DeBose, Jr.	
5,074,375 A	12/1991	Grozil	

DESCRIPTION

FIG. 1 is a perspective view of an earplug tip, showing my new design,
FIG. 2 is a first side elevation view thereof, the opposite side being a mirror image thereof;
FIG. 3 is a second side elevation view thereof, the opposite side being a mirror image thereof;
FIG. 4 is a top plan view thereof; and,
FIG. 5 is a bottom plan view thereof.
The broken lines are for the purpose of illustrating the environment of the design only and form no part of the claimed design.

1 Claim, 4 Drawing Sheets



US D658,282 S

Page 2

U.S. PATENT DOCUMENTS

D444,141 S 6/2001 Koss et al.
 6,252,164 B1 6/2001 Wise
 D445,694 S 7/2001 Gans
 D445,774 S * 7/2001 Matsuoka D14/507
 D451,401 S 12/2001 Silvers et al.
 6,439,413 B1 8/2002 Prevot et al.
 D462,185 S * 9/2002 Sandy D6/349
 D463,392 S * 9/2002 Khadivar D14/499
 6,457,969 B1 10/2002 Khosla
 D466,995 S 12/2002 Knauer et al.
 D467,363 S 12/2002 West
 D479,832 S * 9/2003 Homewood et al. D14/168
 D486,815 S * 2/2004 Jones D14/168
 D489,007 S 4/2004 Hall et al.
 D497,191 S * 10/2004 Shore D21/713
 D500,021 S * 12/2004 Hu D14/168
 D512,409 S * 12/2005 Ishizaki D14/168
 D518,728 S 4/2006 Frantz
 D519,870 S * 5/2006 Pritchard D10/109.1
 D521,637 S 5/2006 Yang
 D523,345 S 6/2006 Kamineni
 D524,655 S 7/2006 Baez
 D526,564 S 8/2006 Slavin et al.
 D526,981 S * 8/2006 Kim et al. D14/502
 D528,213 S * 9/2006 Darley et al. D24/174
 D529,822 S 10/2006 Munn
 D531,056 S 10/2006 Ioannides et al.
 D531,517 S 11/2006 Hillard
 D531,586 S * 11/2006 Poulet D13/168
 D532,400 S * 11/2006 De Zhang D14/509
 D536,262 S 2/2007 Ioannides et al.
 D536,264 S 2/2007 Ioannides et al.
 D538,361 S * 3/2007 Sato D21/708
 D538,600 S * 3/2007 Jennewein et al. D7/606
 D542,153 S 5/2007 Farrow et al.
 D542,656 S 5/2007 Szczesniak
 D546,706 S 7/2007 Ioannides et al.
 D549,596 S 8/2007 Ioannides et al.
 D554,603 S * 11/2007 Murakami D14/507
 D559,382 S * 1/2008 Sanpei D24/106
 D561,715 S * 2/2008 Sugiyama et al. D14/506
 D561,732 S * 2/2008 Motoishi et al. D14/509
 D562,987 S 2/2008 Colin et al.
 D564,824 S * 3/2008 Henry D7/334
 D568,743 S 5/2008 Kunesh et al.
 D569,253 S 5/2008 Cracchiolo
 D572,206 S * 7/2008 Ikeda et al. D13/168
 D575,427 S * 8/2008 Nelson et al. D26/37
 D578,394 S 10/2008 Shurtleff et al.
 D581,286 S 11/2008 White
 D581,289 S 11/2008 Westphal

D582,285 S 12/2008 Cracchiolo
 D584,152 S 1/2009 VerWeyst et al.
 D585,402 S * 1/2009 Shimizu D14/500
 D585,558 S 1/2009 Feeley et al.
 D586,666 S 2/2009 Lucido
 D587,378 S * 2/2009 Powers et al. D24/174
 D588,936 S 3/2009 Ioannides et al.
 D590,055 S * 4/2009 Butler et al. D24/106
 D592,300 S * 5/2009 Yeh D24/106
 D593,858 S 6/2009 Kubicek et al.
 D594,117 S 6/2009 Patzer et al.
 D595,268 S * 6/2009 Kolton D14/223
 D595,837 S 7/2009 Benner
 D596,500 S 7/2009 Diss et al.
 D596,956 S 7/2009 Diss et al.
 D596,957 S 7/2009 Diss
 D599,829 S * 9/2009 Jorgensen et al. D15/28
 D599,907 S * 9/2009 Mulvey et al. D24/174
 D603,715 S 11/2009 Serrano Diaz
 D604,611 S 11/2009 Ames et al.
 D605,172 S * 12/2009 Seade D14/205
 D606,050 S 12/2009 Nousiainen
 D608,767 S 1/2010 Liner
 D611,344 S 3/2010 Longacre
 D611,821 S 3/2010 Gabrielsson et al.
 D611,835 S 3/2010 Chou Huang
 D611,929 S * 3/2010 Blanchard D14/205
 D612,249 S 3/2010 Wurster et al.
 D613,862 S * 4/2010 Vue et al. D24/134
 D614,049 S 4/2010 Diss et al.
 D614,955 S 5/2010 Diss
 D616,747 S 6/2010 Stull et al.
 D616,979 S 6/2010 Falco
 D617,191 S 6/2010 Stull et al.
 D620,366 S 7/2010 Bruscha et al.
 D620,377 S 7/2010 Diss
 D621,030 S 8/2010 Falco
 D621,271 S 8/2010 Soni
 D622,591 S 8/2010 Biesecker et al.
 D622,837 S 8/2010 Falco
 D623,286 S 9/2010 Falco
 D627,019 S * 11/2010 Martin D21/713
 D633,196 S 2/2011 Falco
 D641,465 S 7/2011 Falco
 2004/0129276 A1 7/2004 Kuno et al.
 2010/0300460 A1 12/2010 Falco

FOREIGN PATENT DOCUMENTS

EM 000568217 9/2006
 WO 2004/002194 A1 3/2004

* cited by examiner

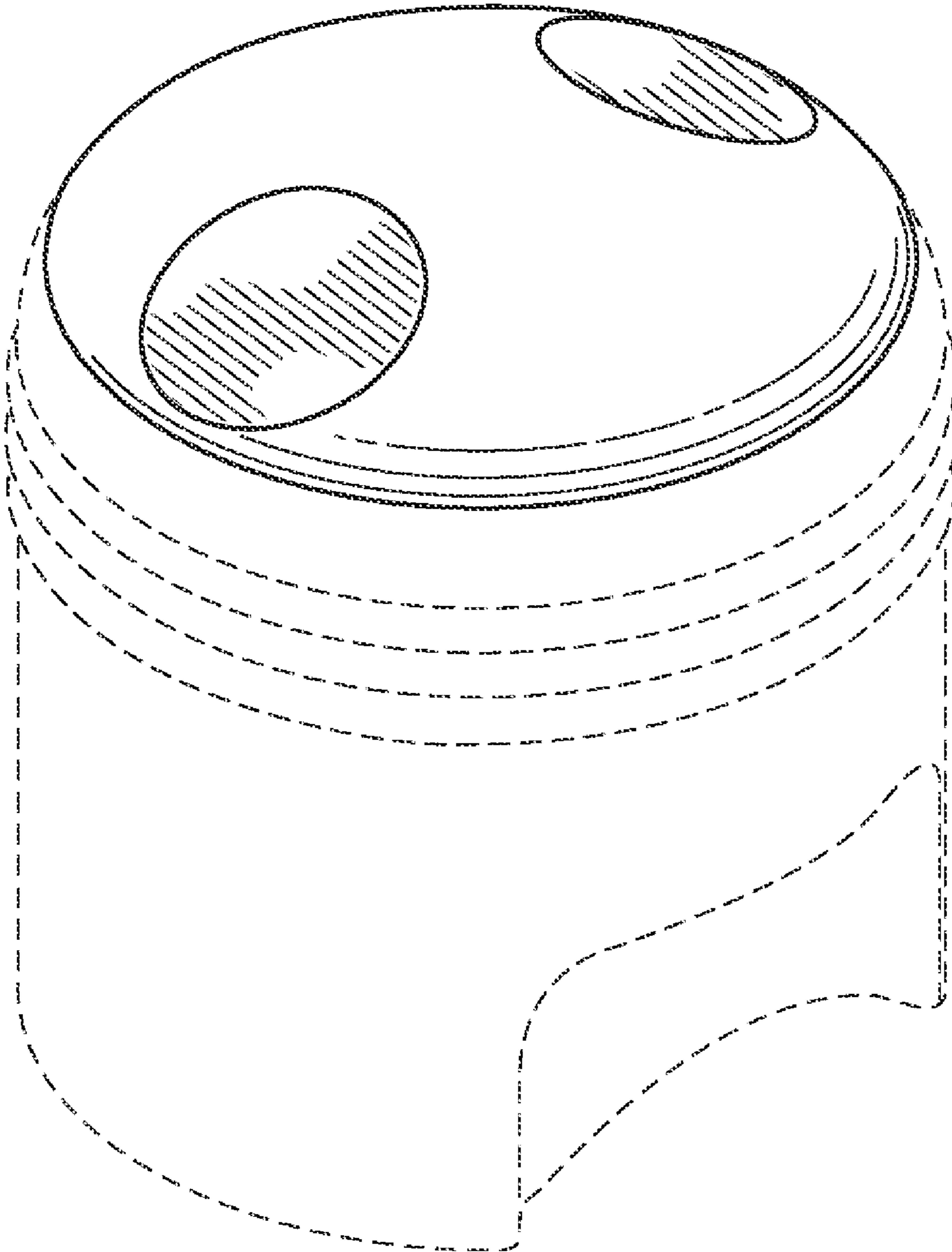


Fig. 1

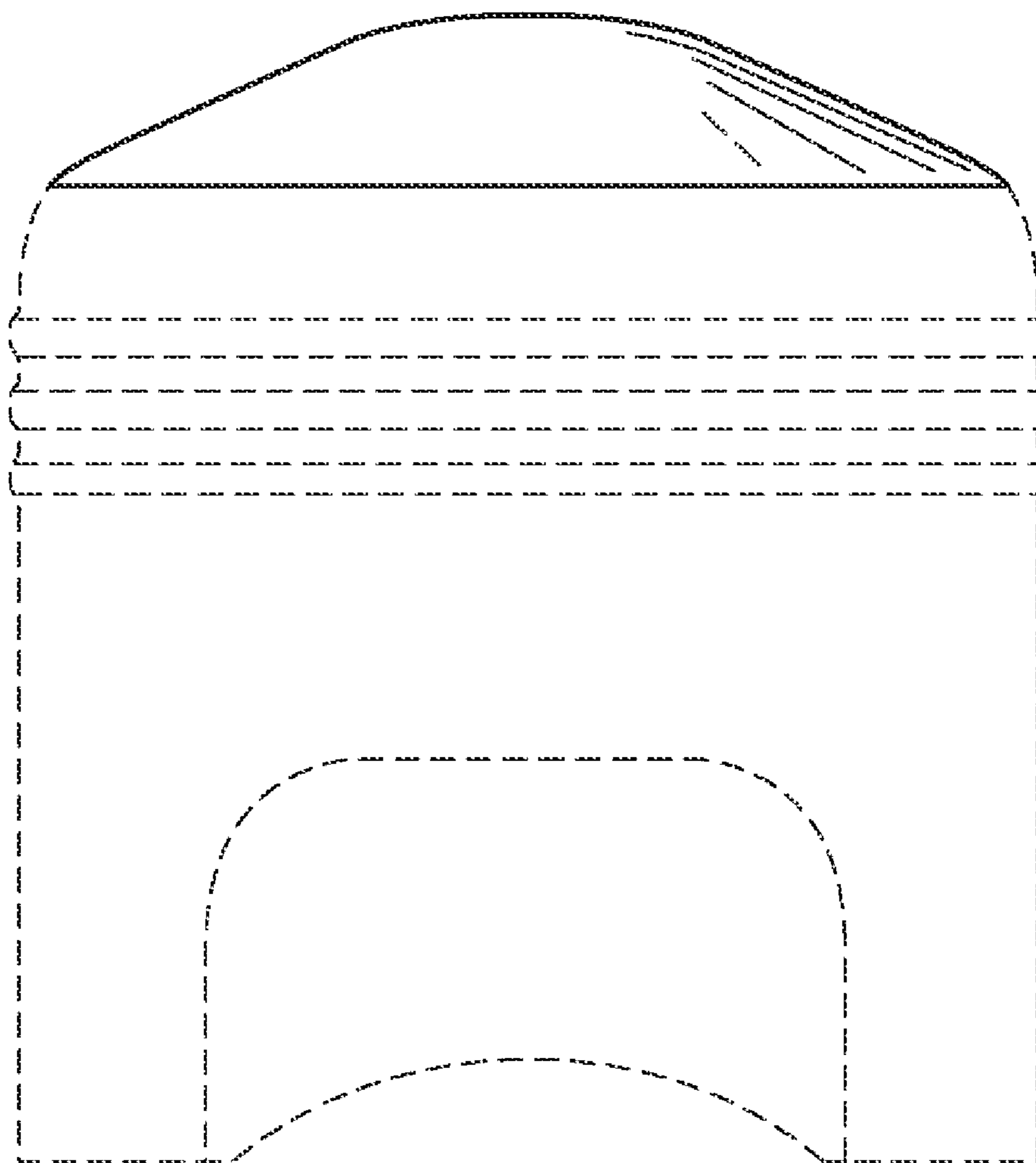


Fig. 2

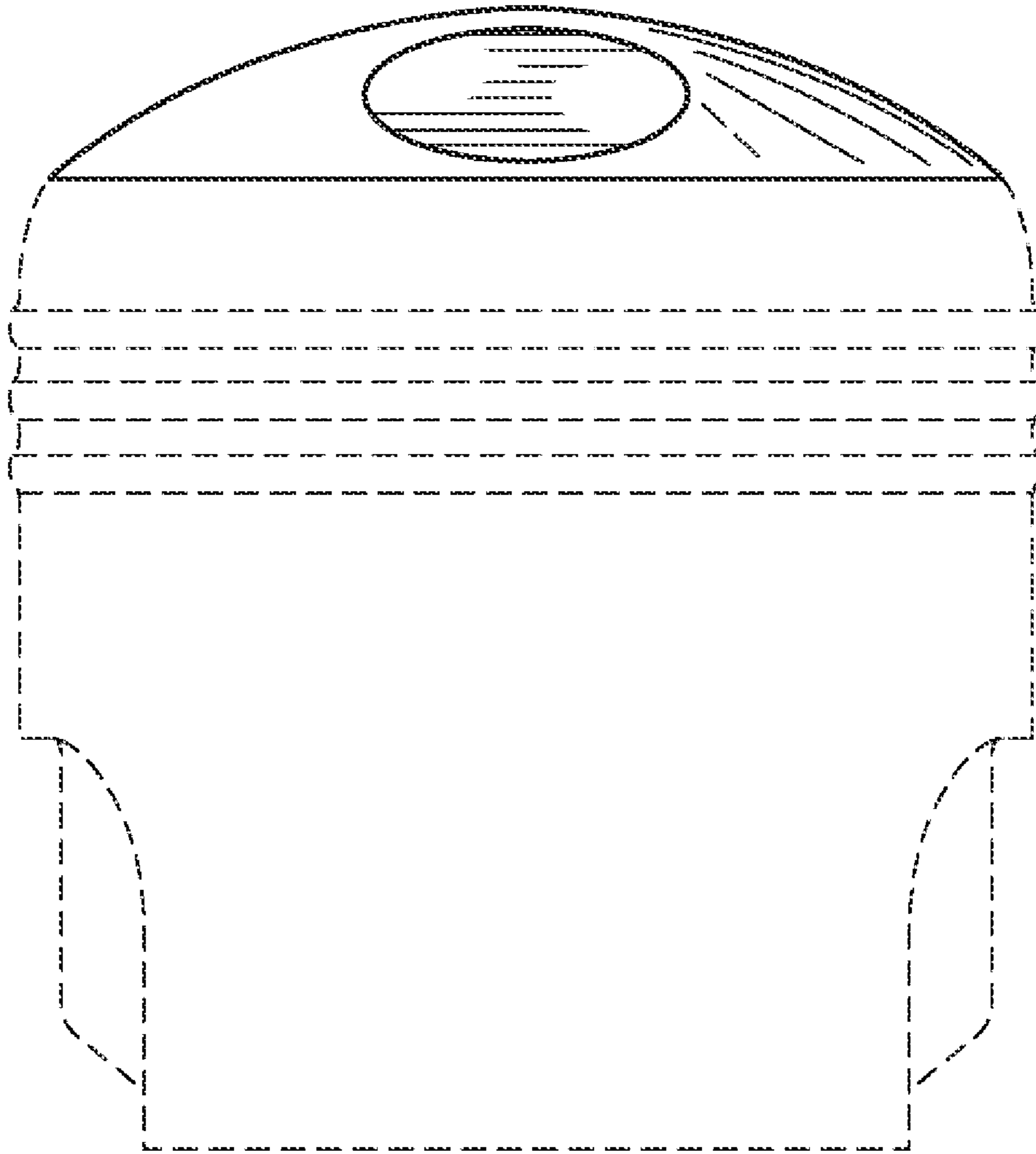


Fig. 3

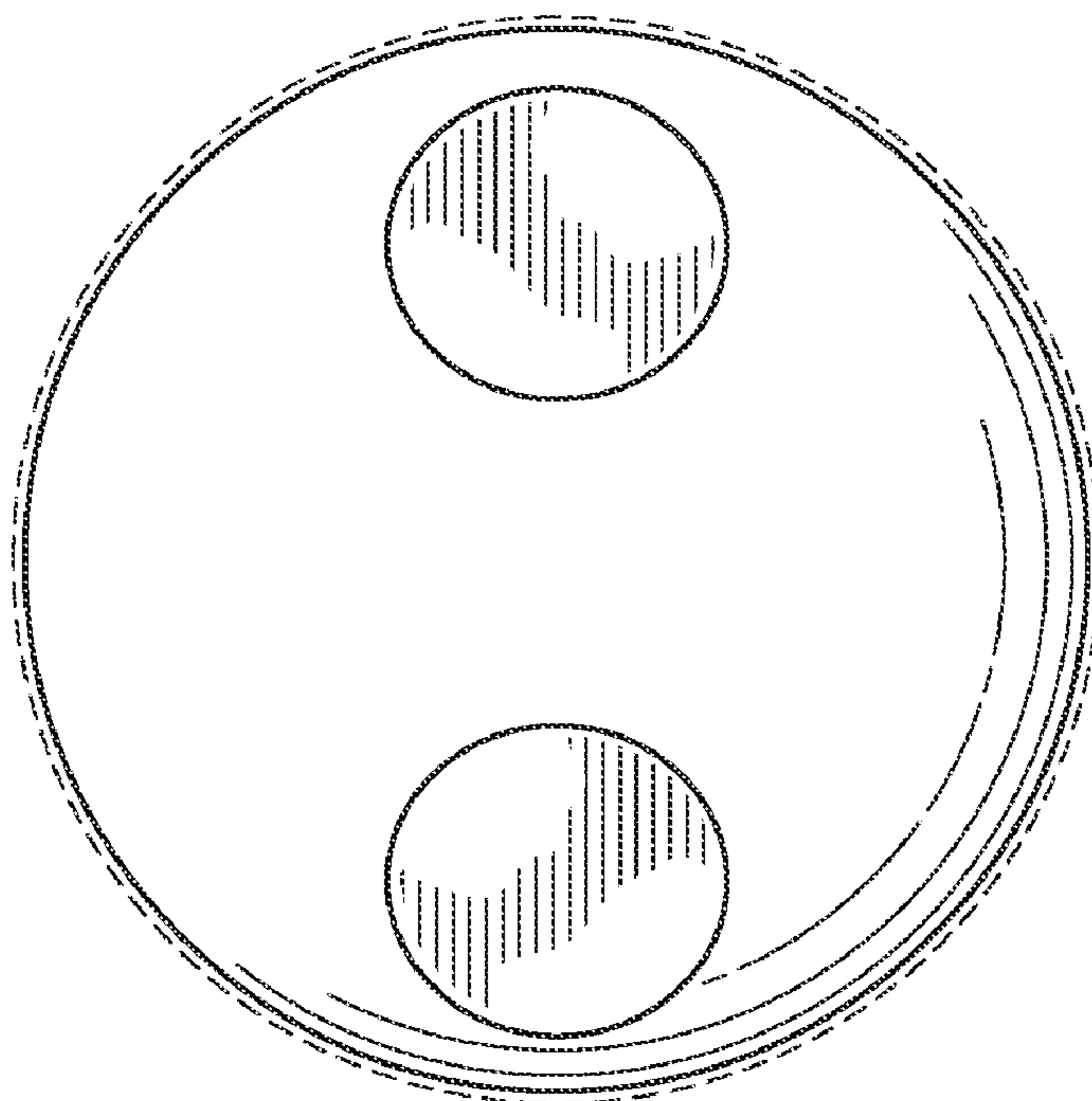


Fig. 4

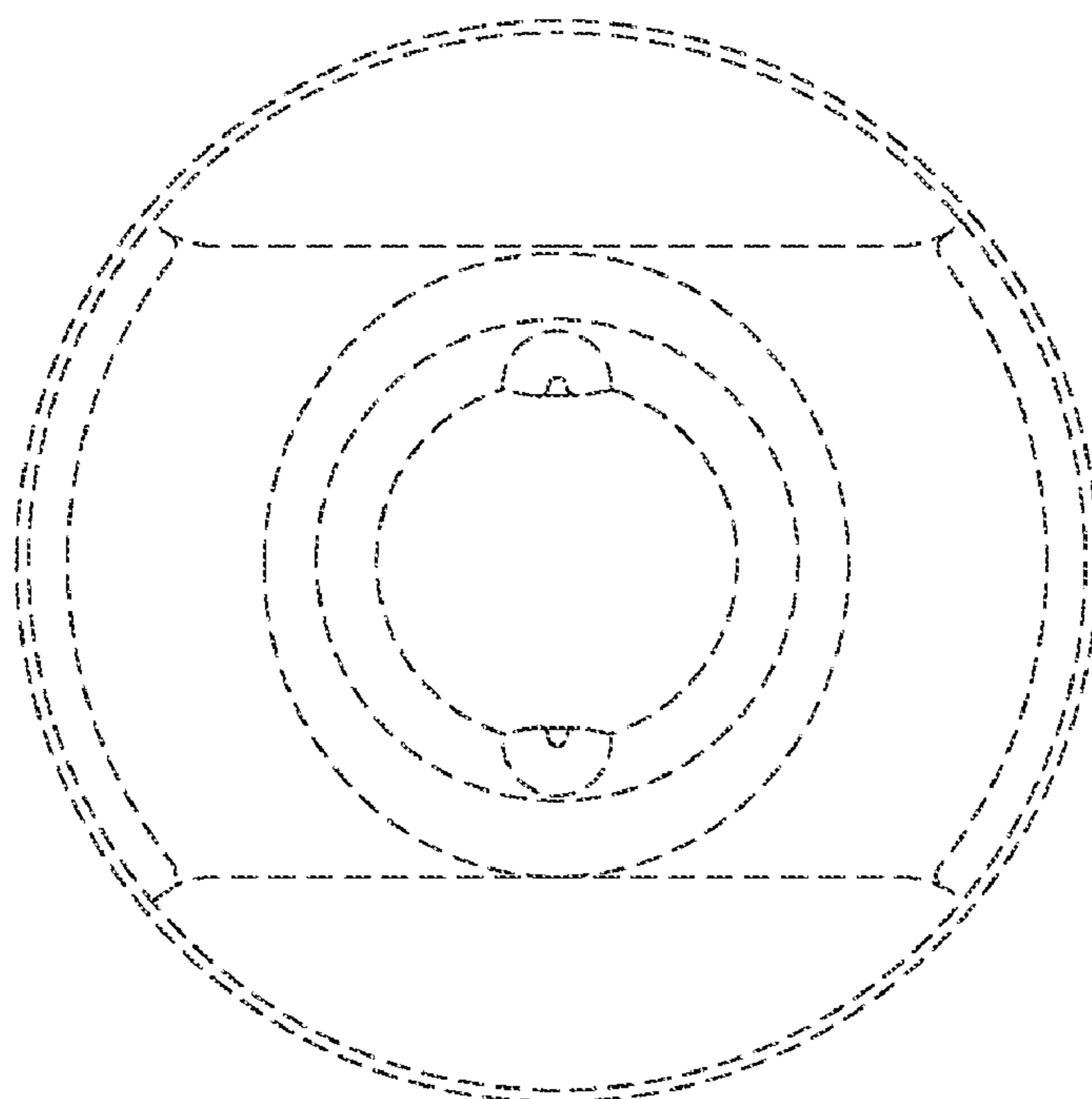


Fig. 5