



US00D658281S

(12) **United States Design Patent**
Goemans

(10) **Patent No.:** **US D658,281 S**

(45) **Date of Patent:** **** Apr. 24, 2012**

(54) **END CAP FOR DRYER AIR SYSTEM**

6,772,538 B2 * 8/2004 Vagedes 454/359
D579,096 S * 10/2008 Guzorek D23/370

(76) Inventor: **Bradley J. Goemans**, Winona (CA)

* cited by examiner

(**) Term: **14 Years**

Primary Examiner — David Muller

(21) Appl. No.: **29/386,133**

(74) *Attorney, Agent, or Firm* — Steven M. Greenberg, Esq.;
Carey Rodriguez Greenberg & O'Keefe, LLP

(22) Filed: **Feb. 24, 2011**

(57) **CLAIM**

(51) **LOC (9) Cl.** **23-04**

The ornamental design for an end cap for a dryer air system,
as shown and described.

(52) **U.S. Cl.** **D23/387**

(58) **Field of Classification Search** D23/385–395,
D23/397, 370–373, 365, 351, 354, 399–403,
D23/421, 499; 454/309, 275–277, 284, 287–291,
454/358–363; 52/302.1, 32.07

DESCRIPTION

See application file for complete search history.

FIG. 1 is a top front perspective view of an end cap for a dryer air system according to my new design.
FIG. 2 is a bottom rear perspective view thereof.
FIG. 3 is a right side view thereof.
FIG. 4 is a front view thereof.
FIG. 5 is a left side view thereof.
FIG. 6 is a rear view thereof.
FIG. 7 is a top view thereof; and,
FIG. 8 is a bottom view thereof.

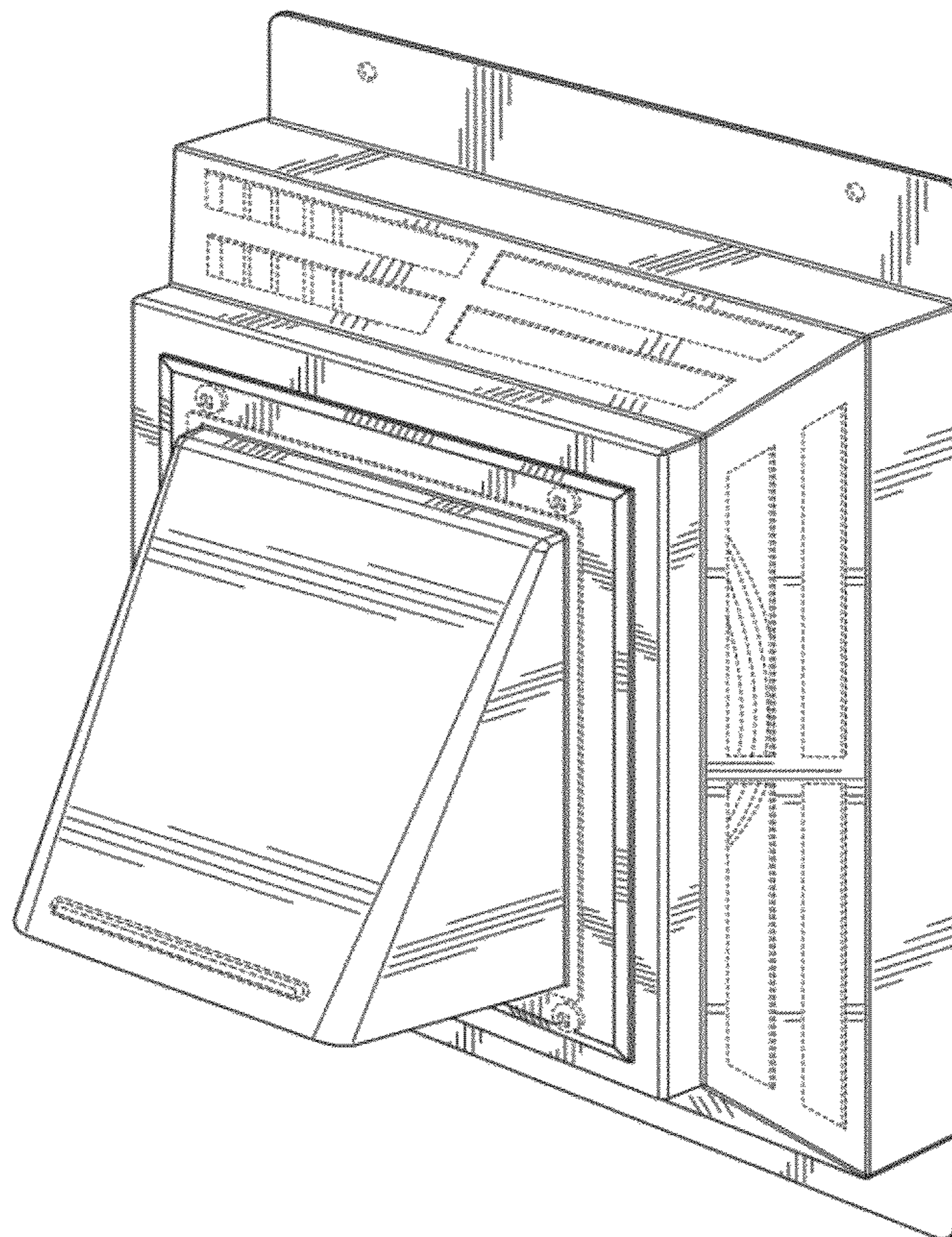
(56) **References Cited**

U.S. PATENT DOCUMENTS

3,541,945	A *	11/1970	Wexler	454/359
3,842,722	A *	10/1974	Miller	454/359
4,151,789	A *	5/1979	Grobard	454/359
D256,156	S *	7/1980	Garritson	D23/393
D261,924	S *	11/1981	Donohue	D23/386
5,046,408	A *	9/1991	Eugenio	454/359
D386,577	S *	11/1997	Haydock et al.	D23/373
5,716,271	A *	2/1998	Paidosh	454/359
D410,077	S *	5/1999	Swartzendruber	D23/389
6,302,788	B1 *	10/2001	Gagnon	454/359
6,361,433	B1 *	3/2002	Gray	454/358

The broken lines immediately adjacent to the inside wall of the outer pipe and the outside wall of the inner pipe in FIG. 6 represent the boundaries of the claimed design. The broken lines in the Figures illustrate the portions of the design that form no part of the claimed design. None of the broken lines form any part of the claimed design.

1 Claim, 8 Drawing Sheets



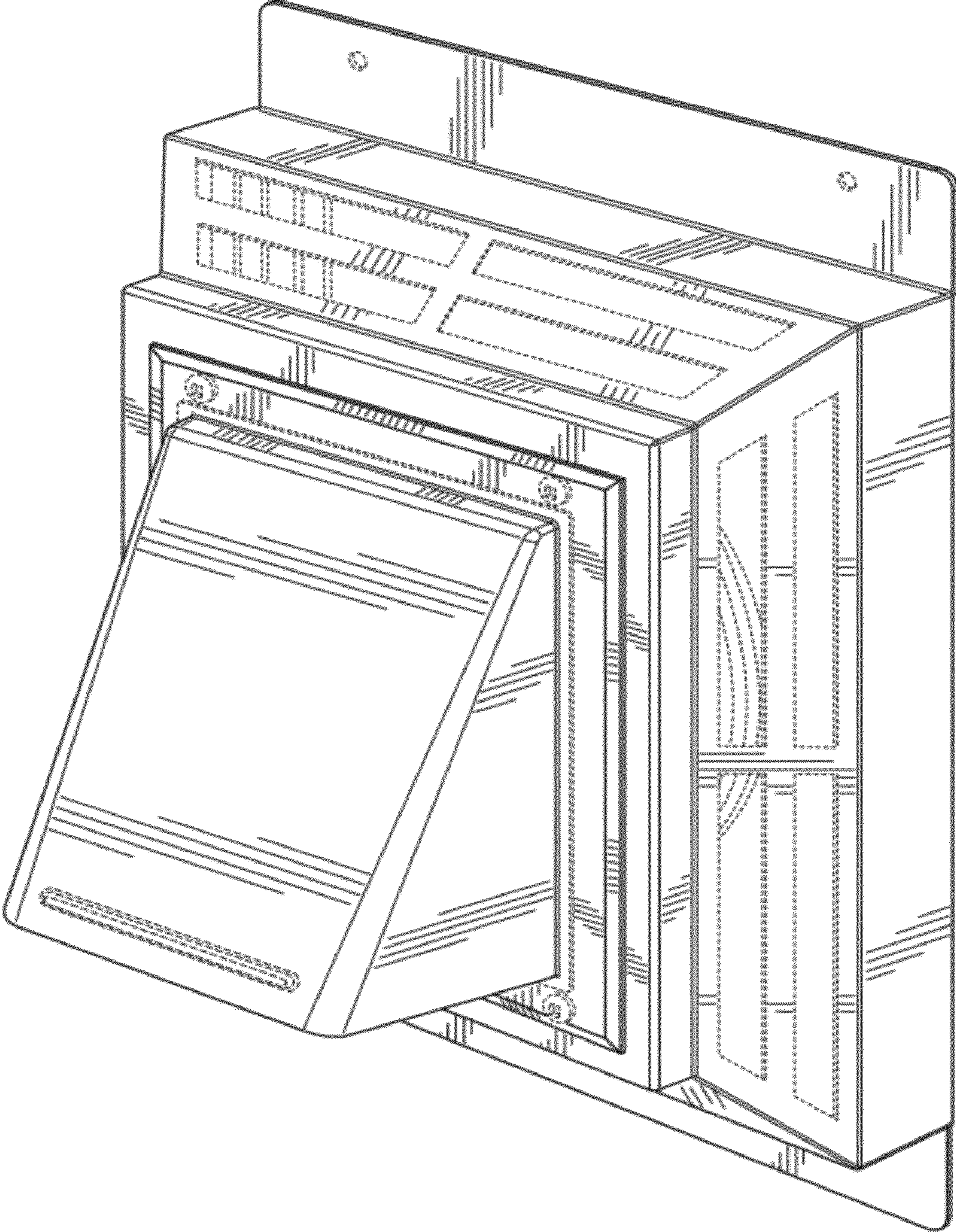


FIG. 1

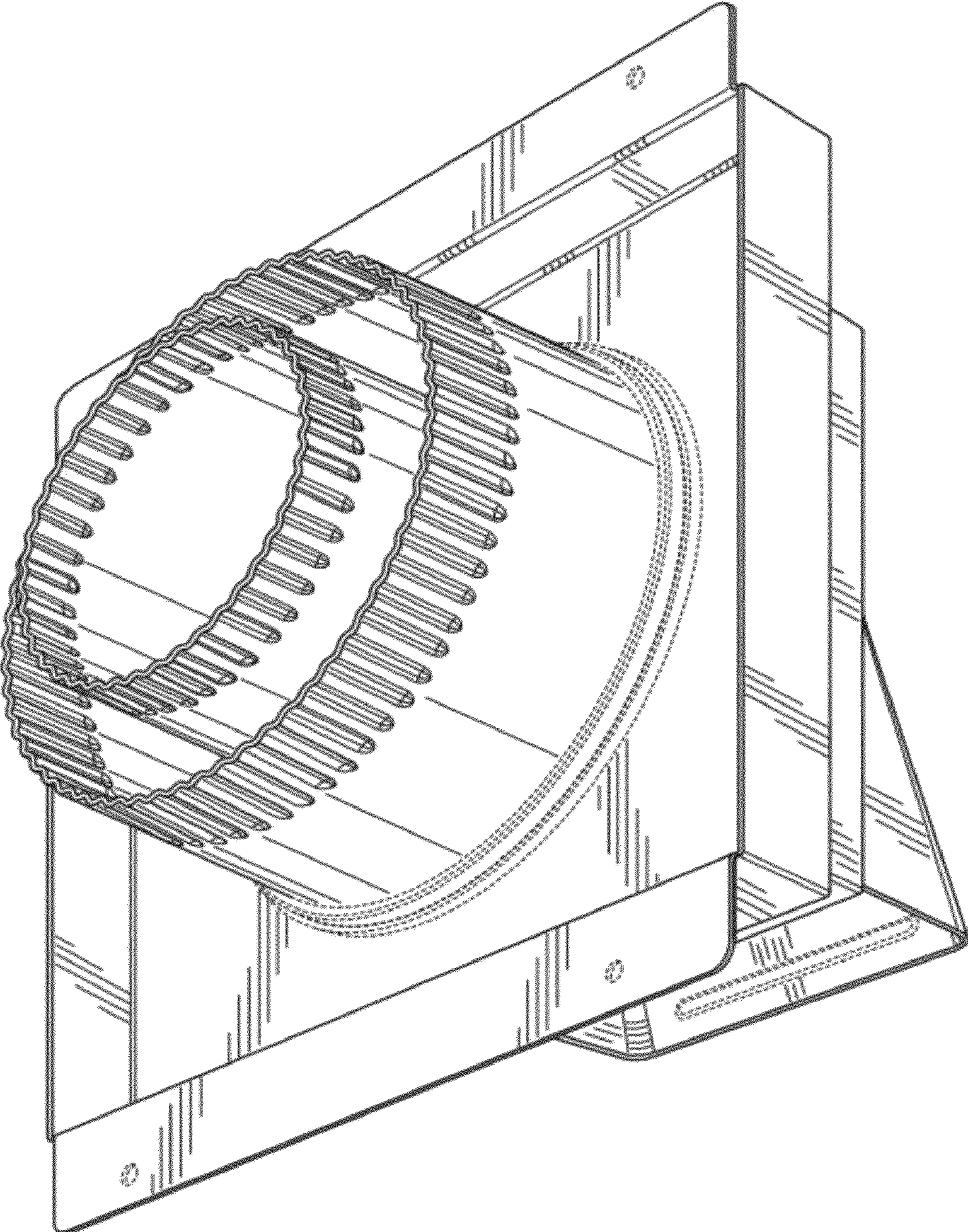


FIG. 2

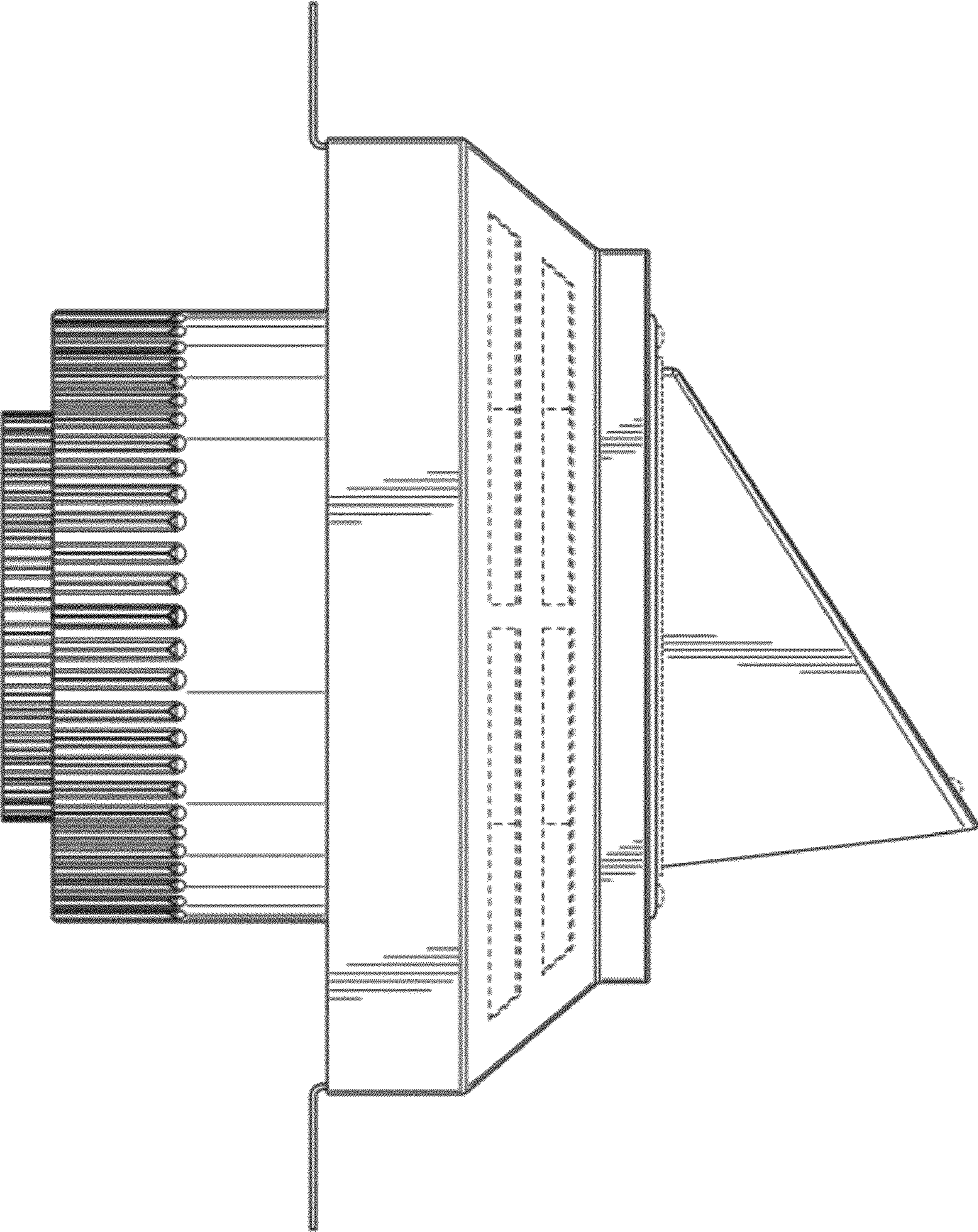


FIG. 3

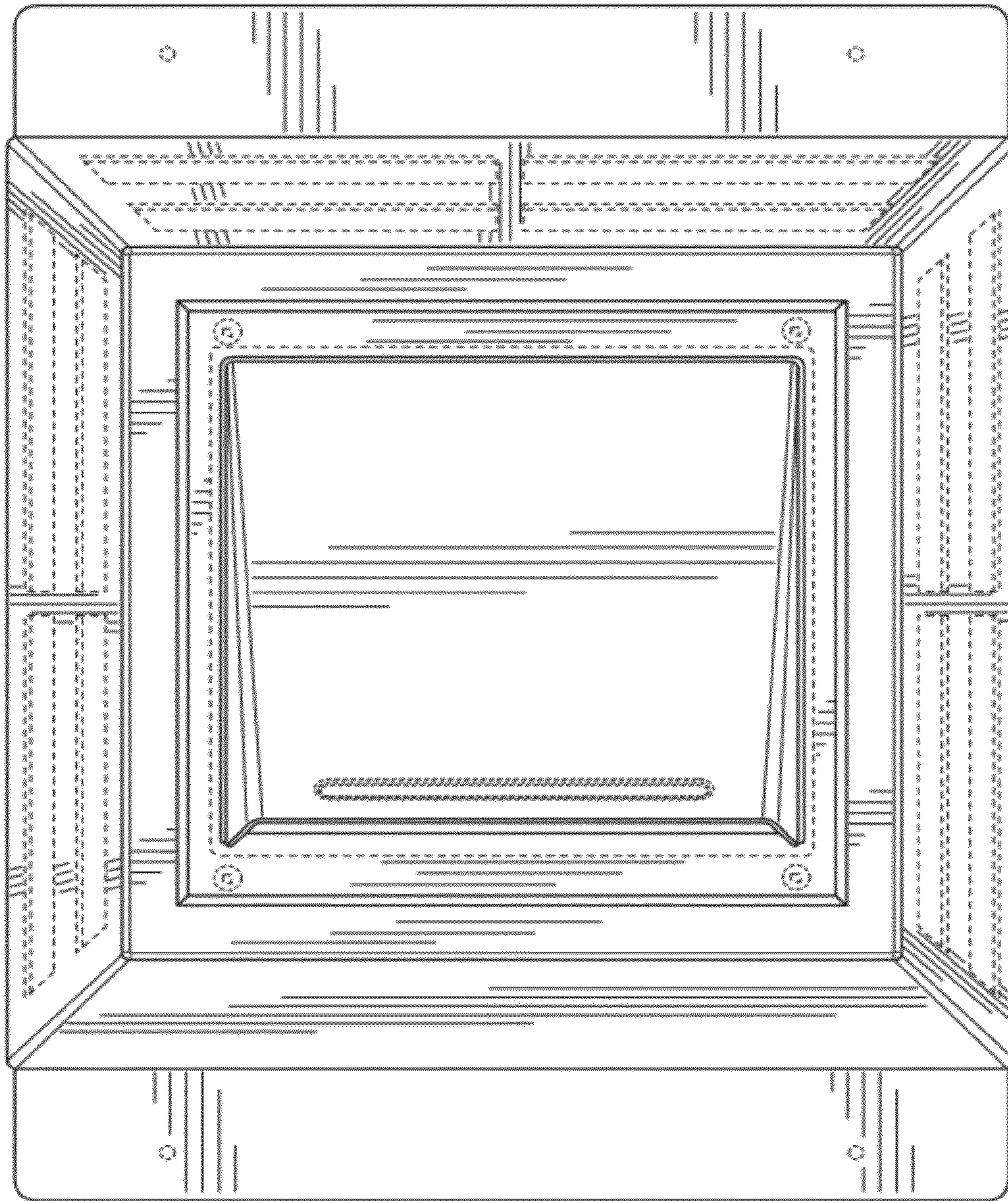


FIG. 4

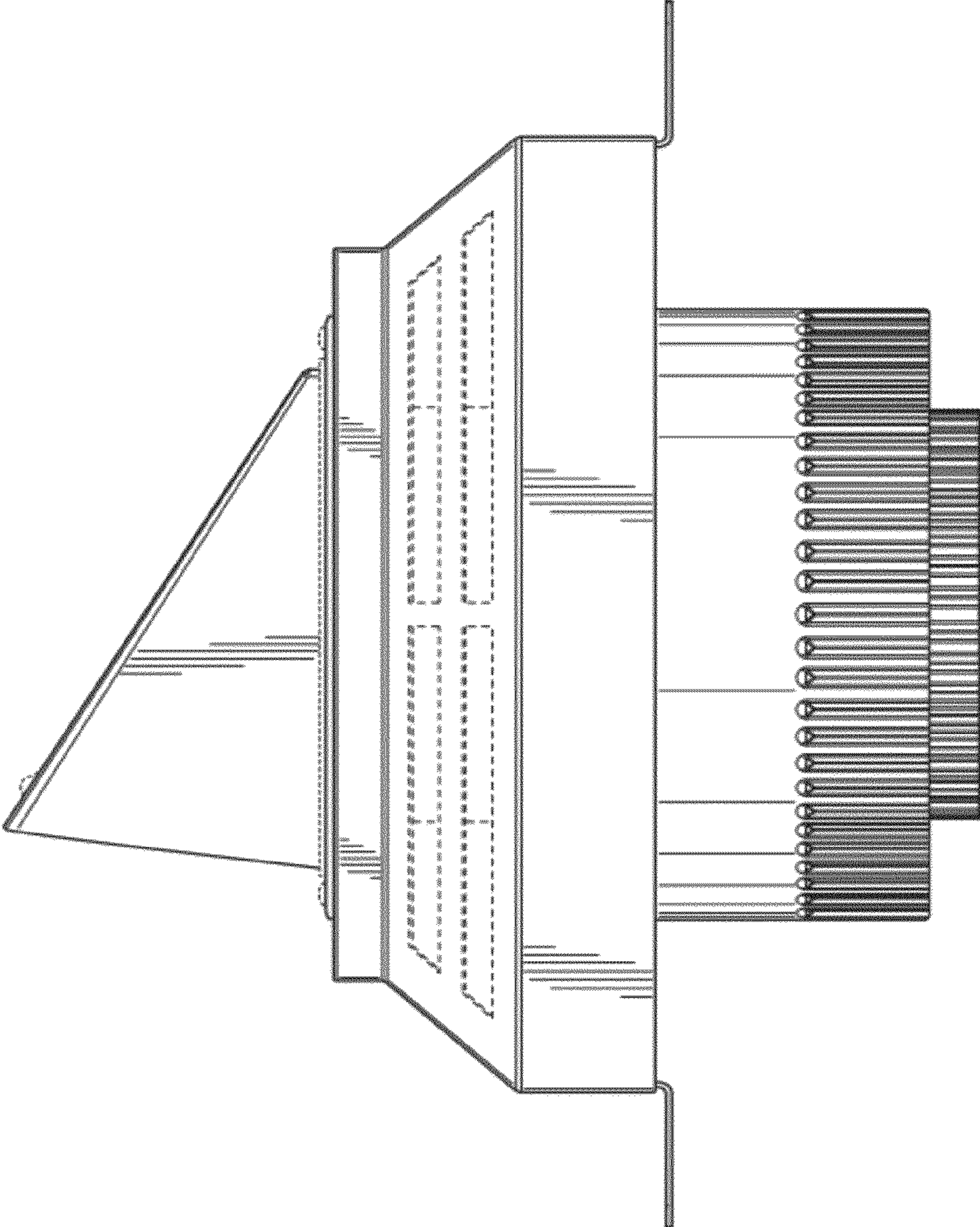


FIG. 5

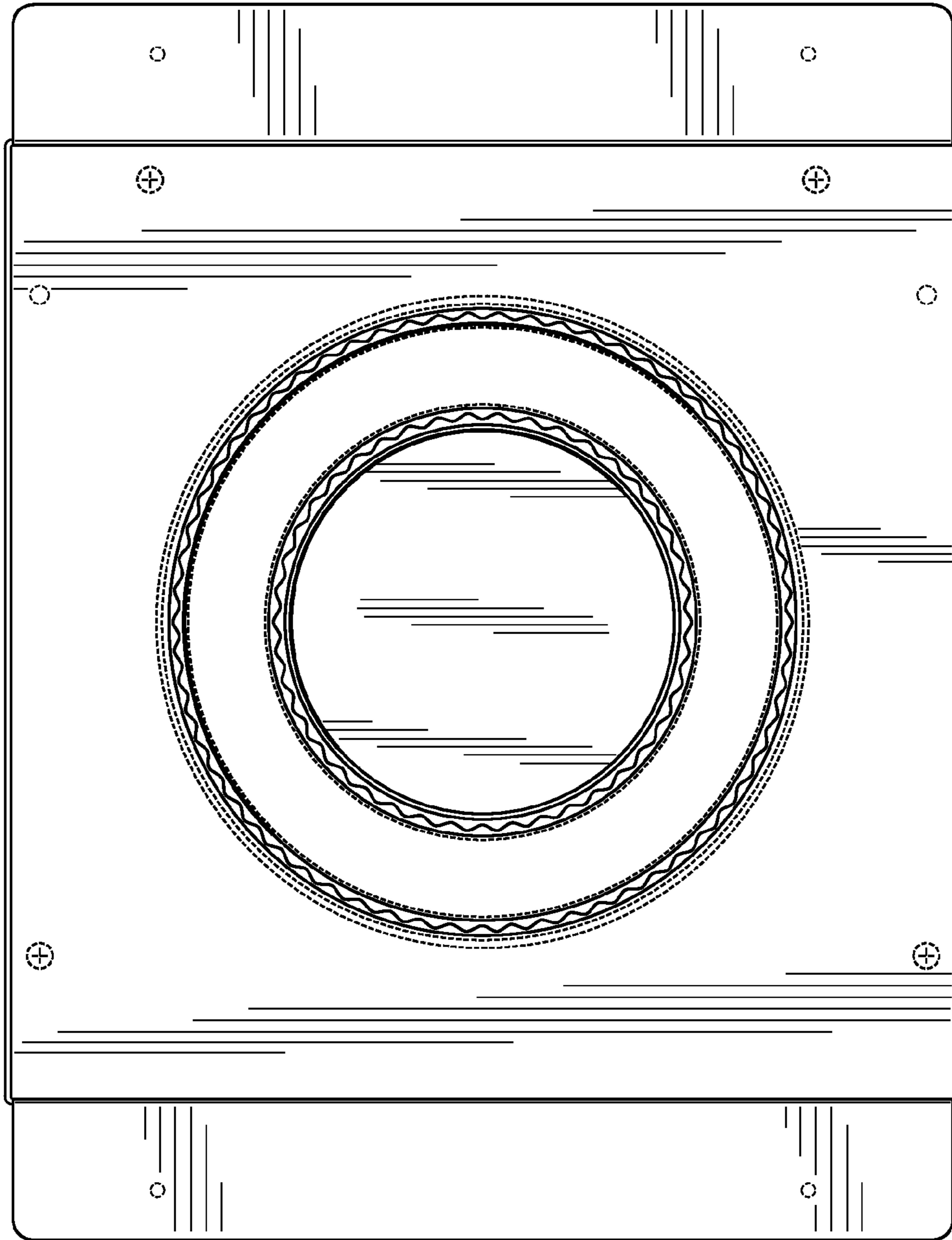


FIG. 6

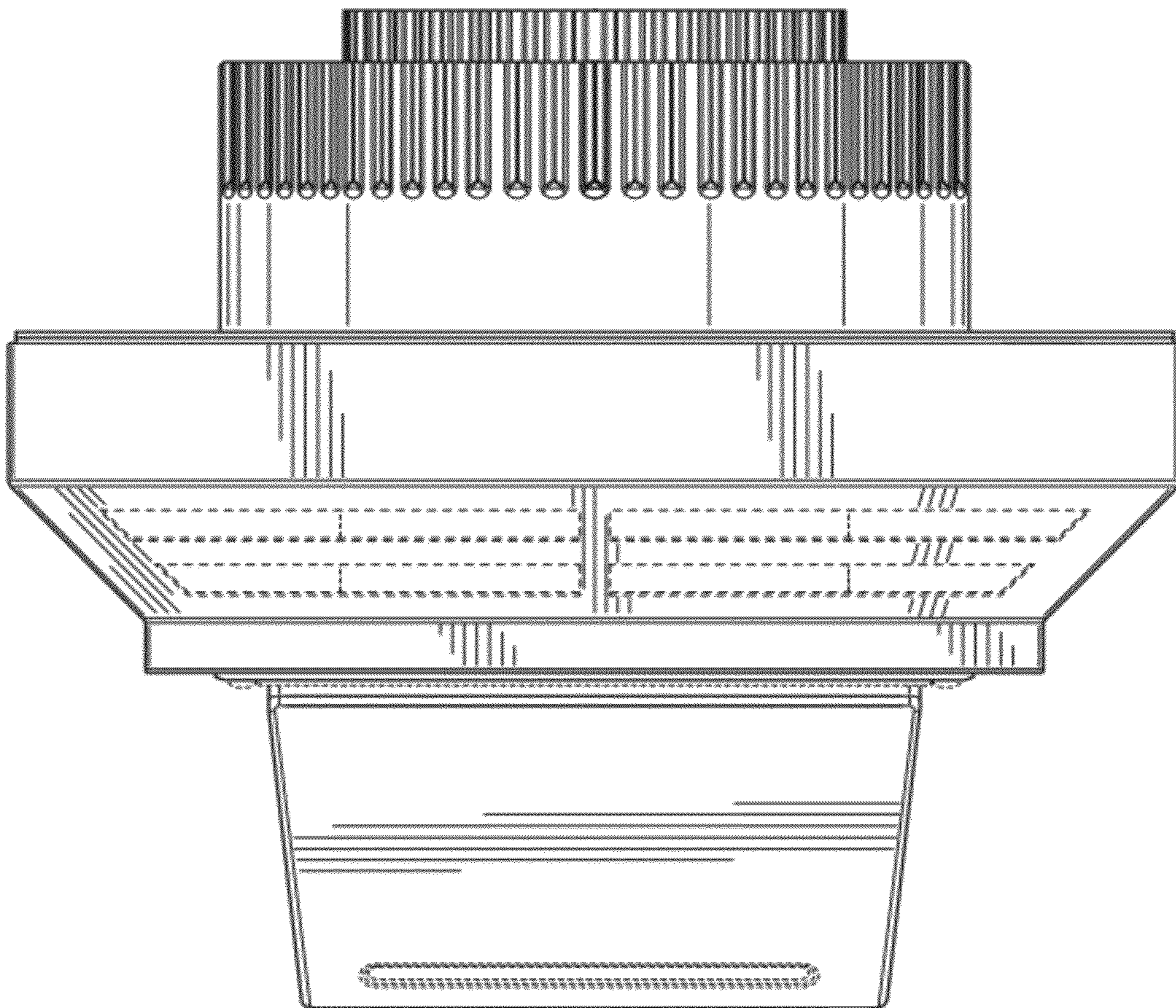


FIG. 7

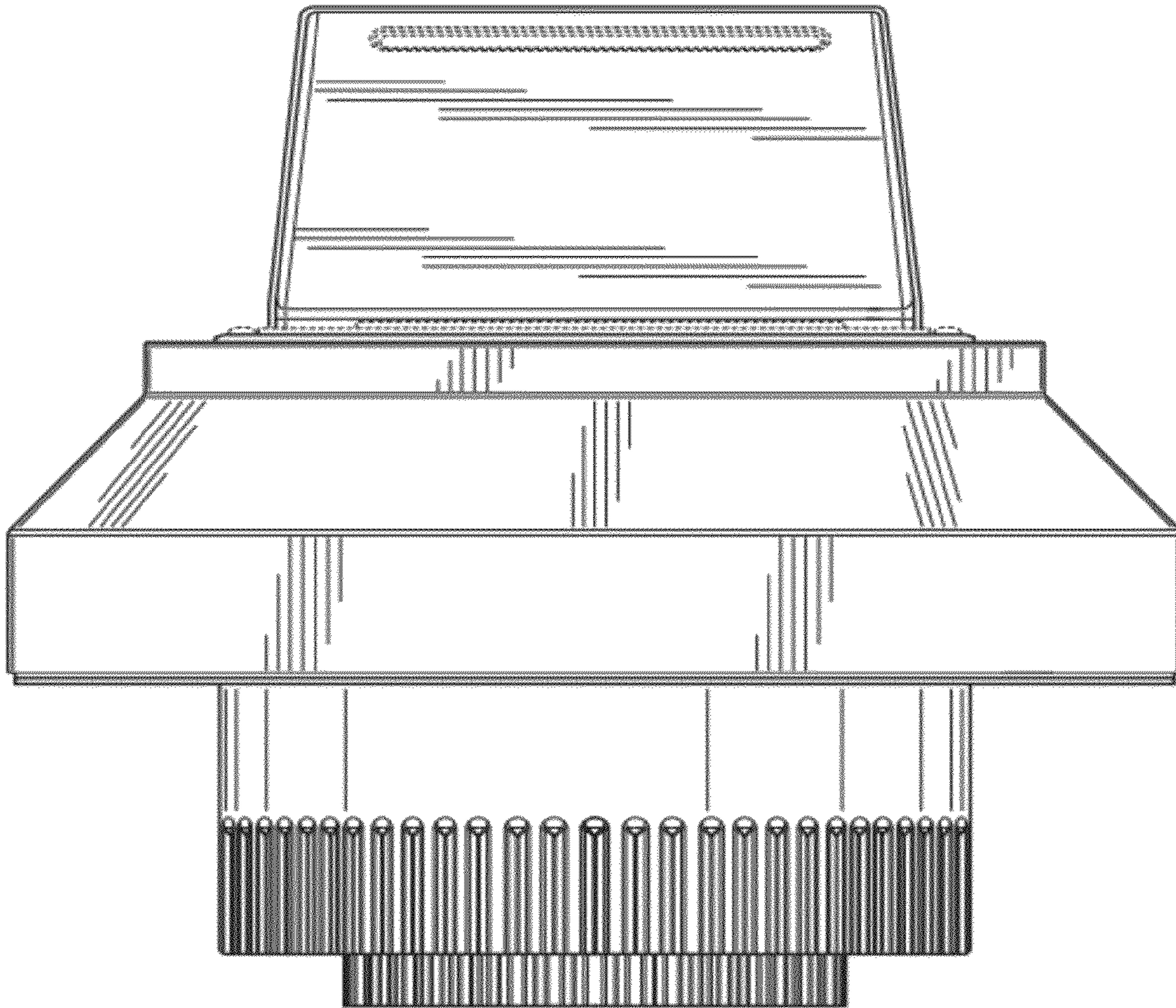


FIG. 8