



US00D658279S

(12) **United States Design Patent**
Ueda et al.

(10) **Patent No.:** **US D658,279 S**
(45) **Date of Patent:** **** Apr. 24, 2012**

(54) **PORTION OF HEAT TRANSFER FURNACE**

(75) Inventors: **Ami Ueda**, Yokohama (JP); **Kazuhiko Katsumata**, Kakamigahara (JP); **Junji Inoue**, Kakamigahara (JP); **Takahisa Shimada**, Kakamigahara (JP); **Shinya Kudo**, Yokohama (JP)

(73) Assignees: **IHI Corporation**, Tokyo (JP); **IHI Machinery and Furnace Co., Ltd.**, Yokohama-shi (JP)

(**) Term: **14 Years**

(21) Appl. No.: **29/396,844**

(22) Filed: **Jul. 7, 2011**

(30) **Foreign Application Priority Data**

Jan. 7, 2011 (JP) 2011-000230
(51) **LOC (9) Cl.** **23-03**
(52) **U.S. Cl.** **D23/329**
(58) **Field of Classification Search** D23/314,
D23/322, 329; 373/110, 119; 219/400; 432/148,
432/176, 77; D15/144, 144.1, 144.2
See application file for complete search history.

(56) **References Cited**

U.S. PATENT DOCUMENTS

D59,220 S * 10/1921 Haynes D23/329
3,021,833 A * 2/1962 Kohorst 126/360.2
4,125,363 A * 11/1978 Hansen 432/106
D342,125 S * 12/1993 Miller D23/323

OTHER PUBLICATIONS

U.S. Appl. No. 29/396,839, filed Jul. 7, 2011, Ueda, et al.
U.S. Appl. No. 29/396,842, filed Jul. 7, 2011, Ueda, et al.

* cited by examiner

Primary Examiner — T. Chase Nelson
Assistant Examiner — Ania Aman

(74) *Attorney, Agent, or Firm* — Oblon, Spivak,
McClelland, Maier & Neustadt, L.L.P.

(57) **CLAIM**

We claim, the ornamental design for a portion of heat transfer furnace, as shown and described.

DESCRIPTION

FIG. 1 is a perspective view of a portion of the heat transfer furnace;
FIG. 2 is a front view thereof;
FIG. 3 is a rear view thereof;
FIG. 4 is a left side view thereof;
FIG. 5 is a right side view thereof;
FIG. 6 is a bottom plan view thereof; and,
FIG. 7 is a referential bottom perspective with the design flipped over and with unclaimed portions removed for ease of illustrating the claimed design.

The broken lines showing on the drawing disclosure are for illustrative purposes only and form no part of the claimed design. The lines consisting of long lines and dots indicate conceptual border lines between the claimed portions and the disclaimed portion.

1 Claim, 7 Drawing Sheets

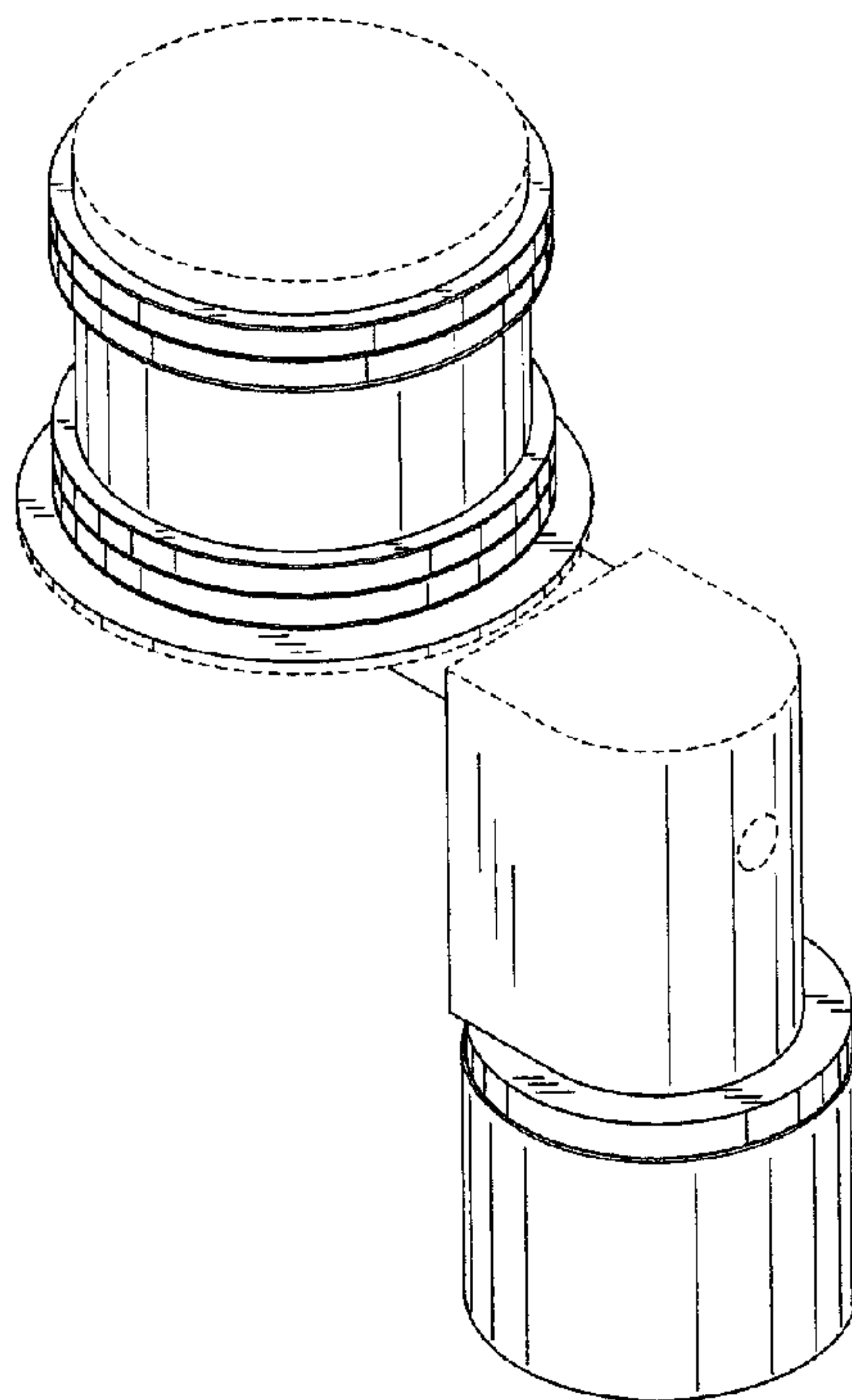


Fig.1

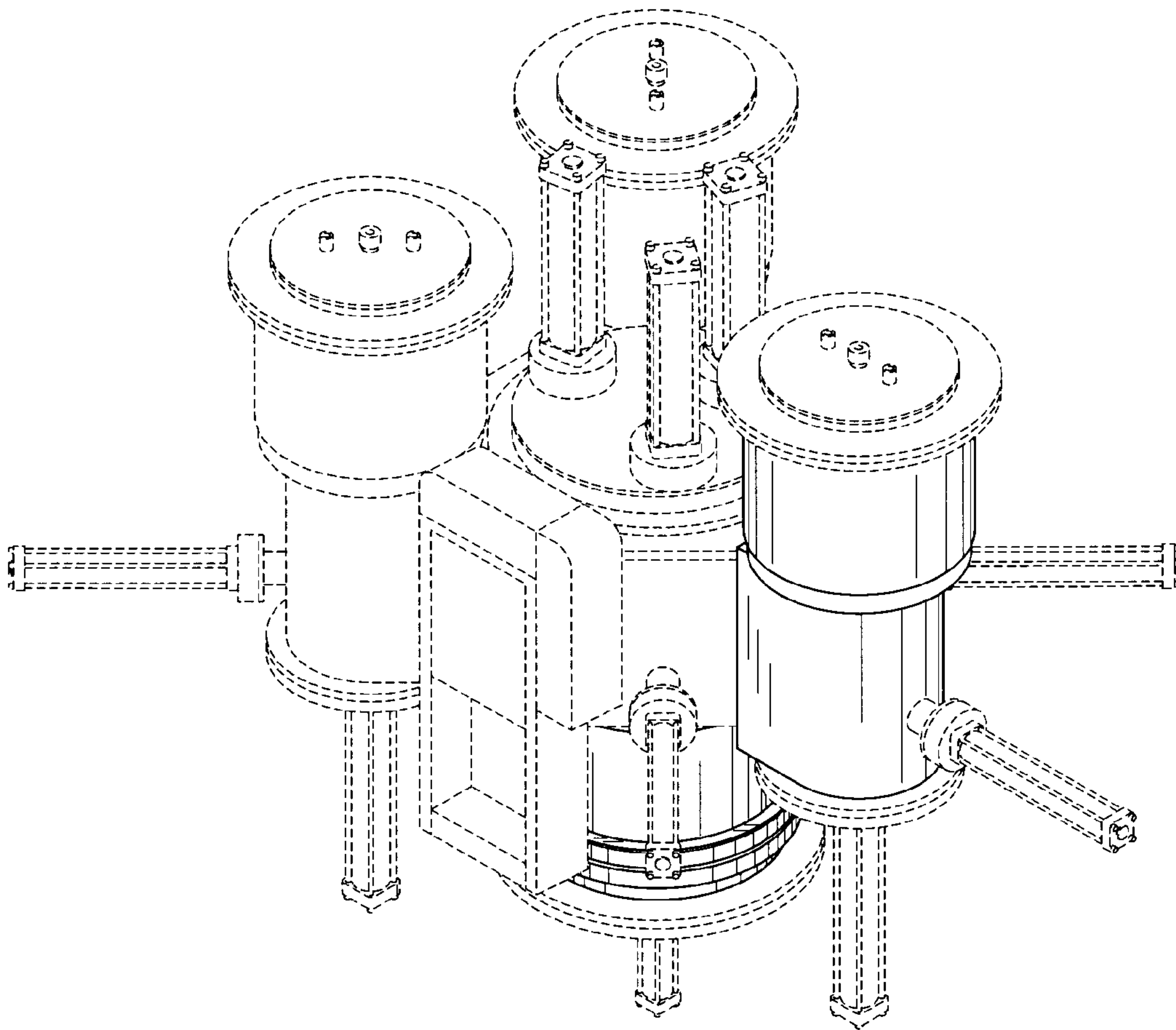


Fig.2

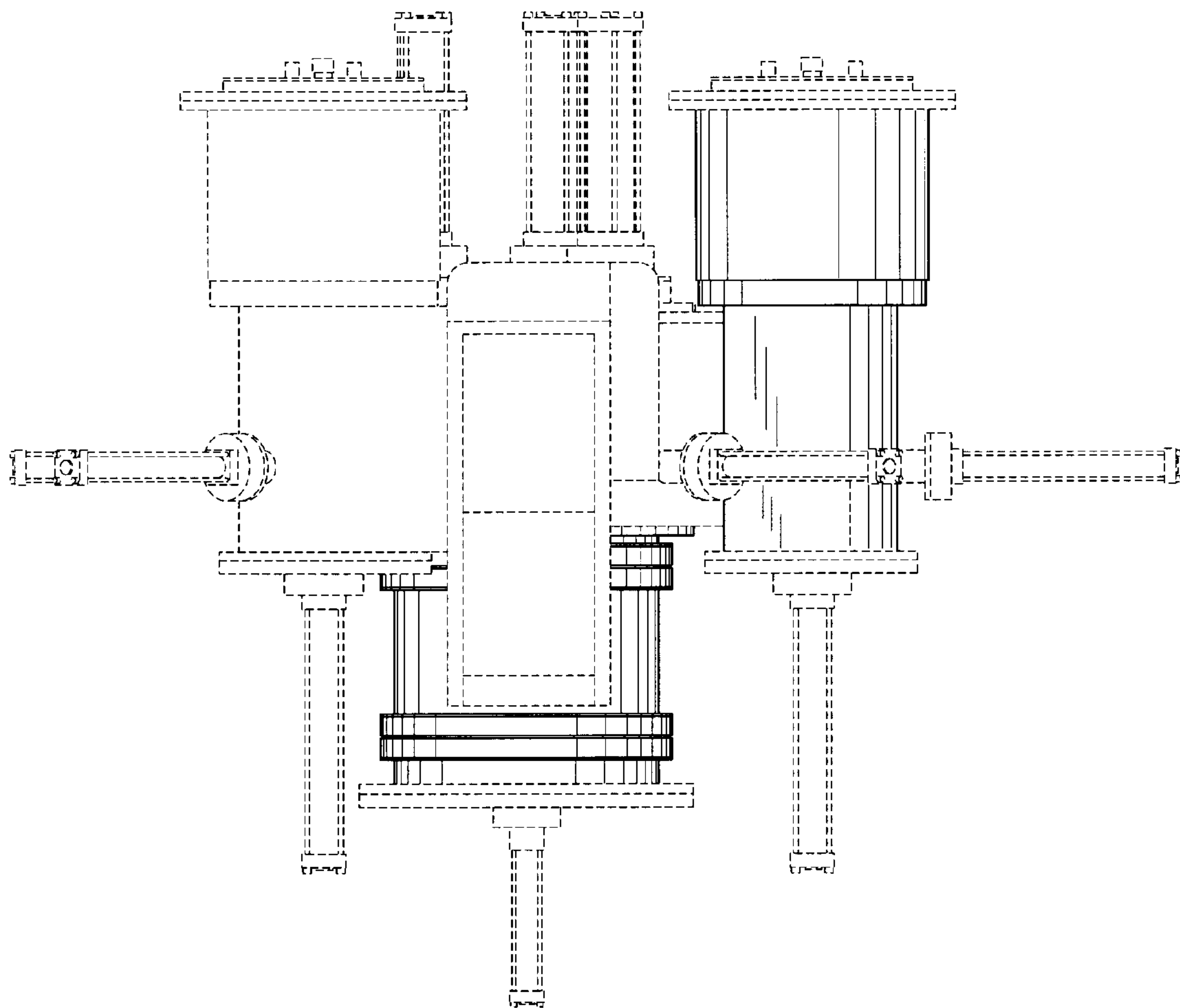


Fig.3

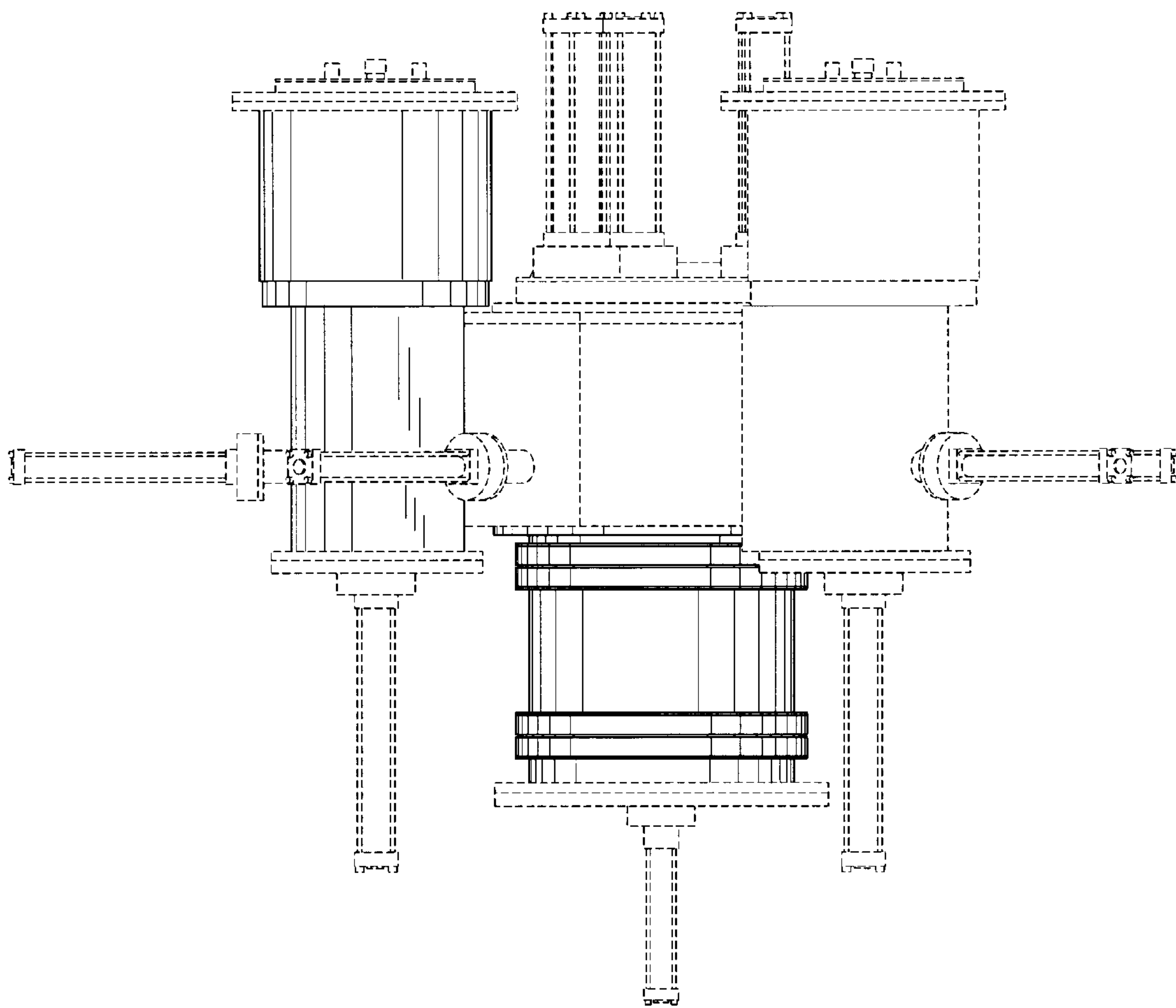


Fig.4

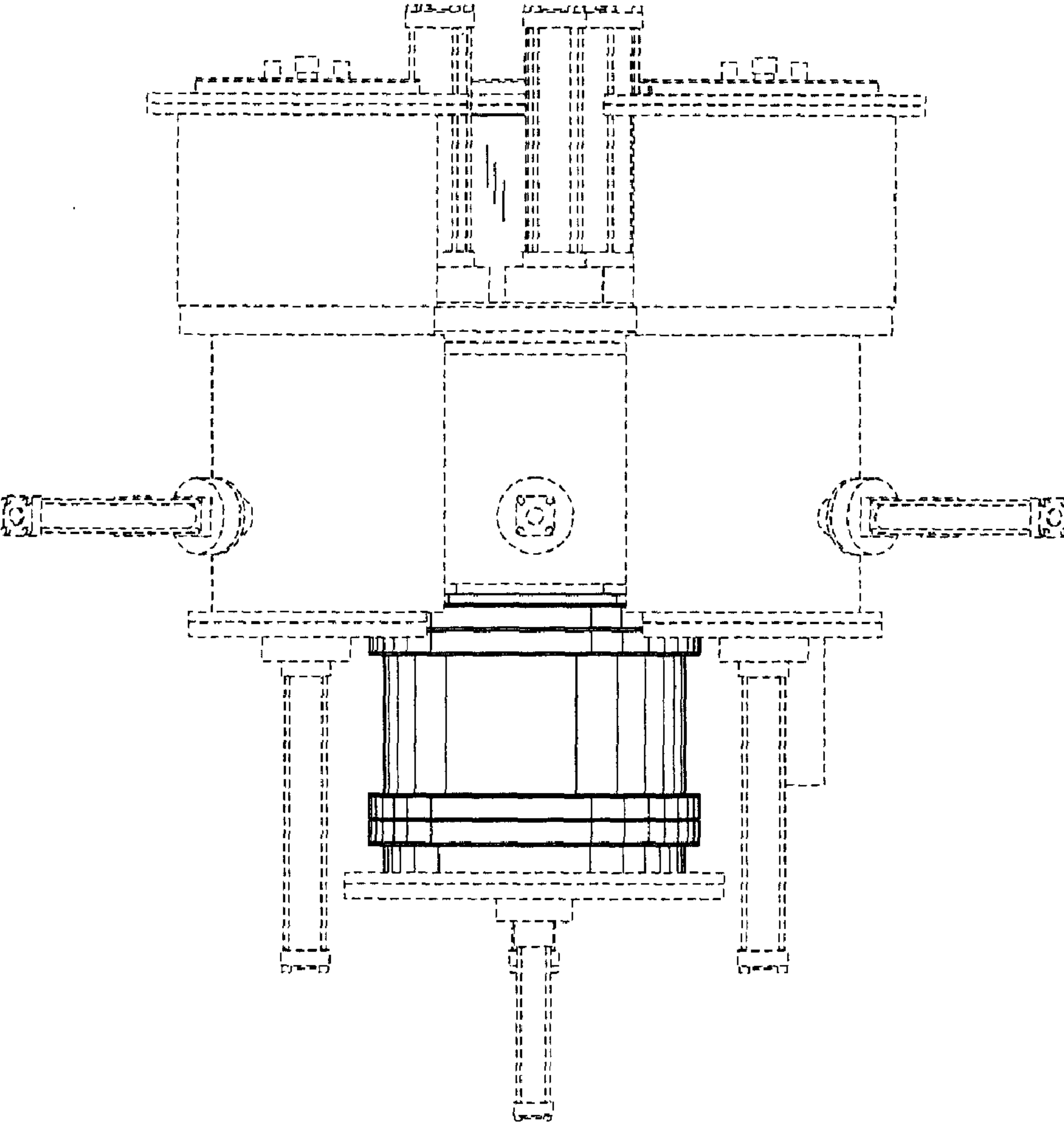


Fig.5

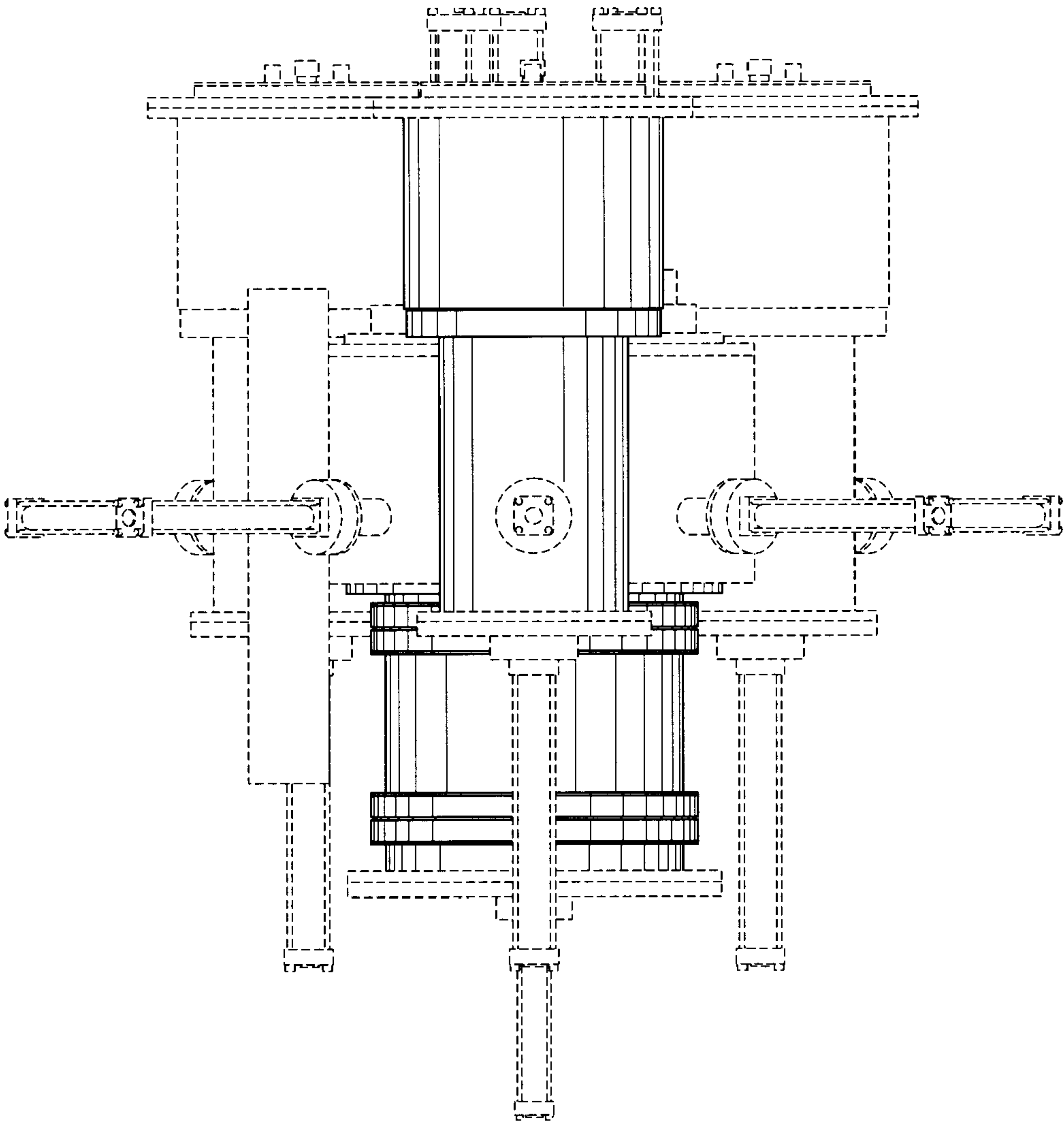


Fig.6

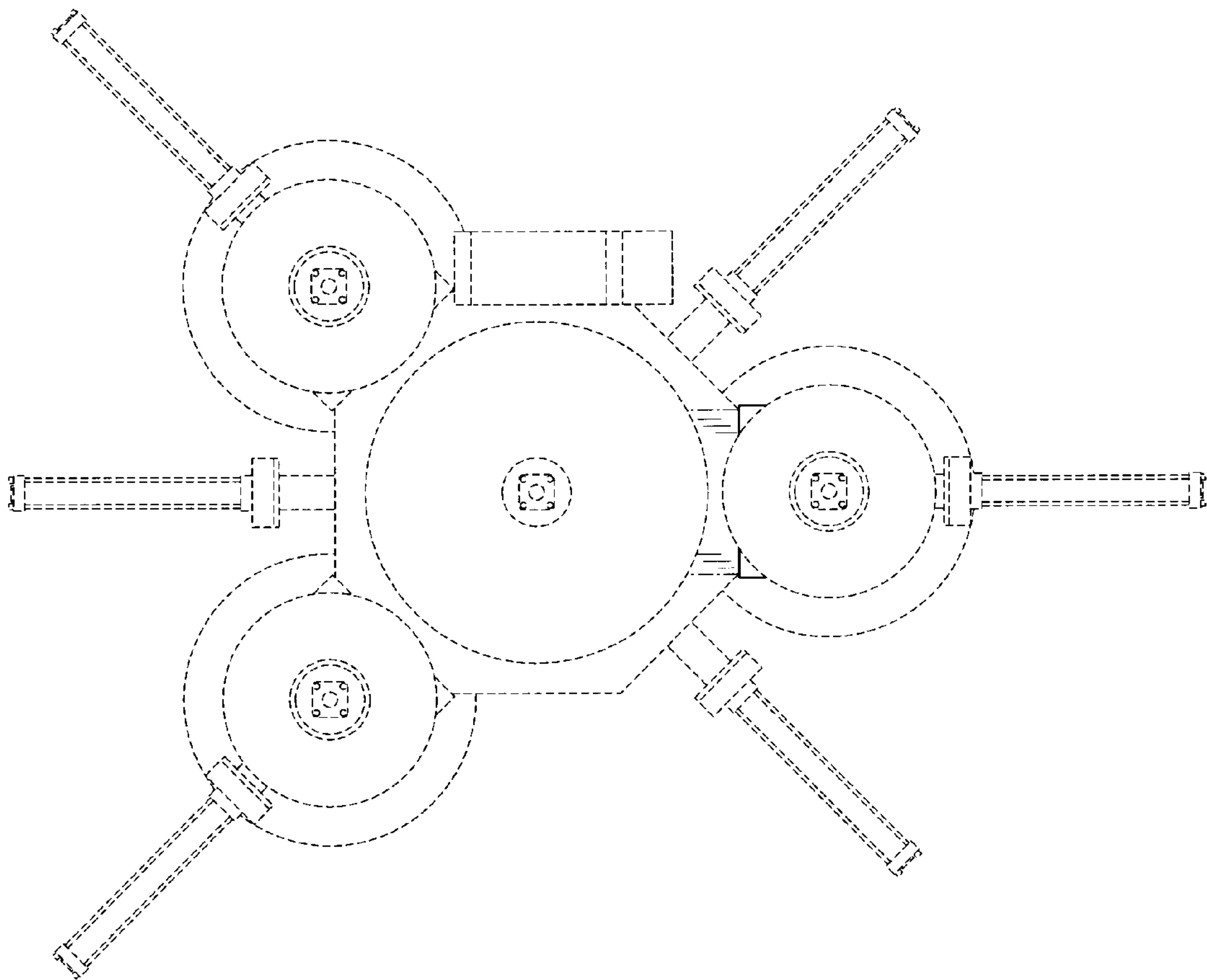


Fig. 7

