



US00D658278S

(12) **United States Design Patent**  
**Wang et al.**

(10) **Patent No.:** **US D658,278 S**  
(45) **Date of Patent:** **\*\* Apr. 24, 2012**

(54) **TOILET**

(75) Inventors: **Yanchun Wang**, Ballasalla (IM); **Robert William Stimpson**, Douglas (IM)

(73) Assignee: **DLP Limited**, Douglas, British Isles (IM)

(\*\*) Term: **14 Years**

(21) Appl. No.: **29/407,474**

(22) Filed: **Nov. 29, 2011**

**Related U.S. Application Data**

(62) Division of application No. 29/384,196, filed on Jan. 27, 2011.

(30) **Foreign Application Priority Data**

Aug. 5, 2010 (EM) ..... 001740770

(51) **LOC (9) Cl.** ..... **23-02**

(52) **U.S. Cl.** ..... **D23/295**

(58) **Field of Classification Search** ..... D23/295,  
D23/303, 309; 4/300, 353, 420

See application file for complete search history.

(56) **References Cited**

U.S. PATENT DOCUMENTS

D311,057 S	10/1990	Stairs, Jr.
D471,621 S	3/2003	Bennie
D472,310 S	3/2003	Kawamura
D483,448 S	12/2003	Ruxchaivan
D505,190 S	5/2005	Cutler
D507,335 S	7/2005	Gordon
D531,714 S	11/2006	Soulier

*Primary Examiner* — Robert Delehanty

(74) *Attorney, Agent, or Firm* — Pyprus Pte Ltd

(57) **CLAIM**

We claim the ornamental design for a toilet, as shown and described.

**DESCRIPTION**

FIG. 1 is a perspective view from above, front and to one side of a toilet, showing our new design;

FIG. 2 is a perspective view from above, rear and to one side of the toilet, as shown in FIG. 1;

FIG. 3 is a top plan view of the toilet, as shown in FIG. 1;

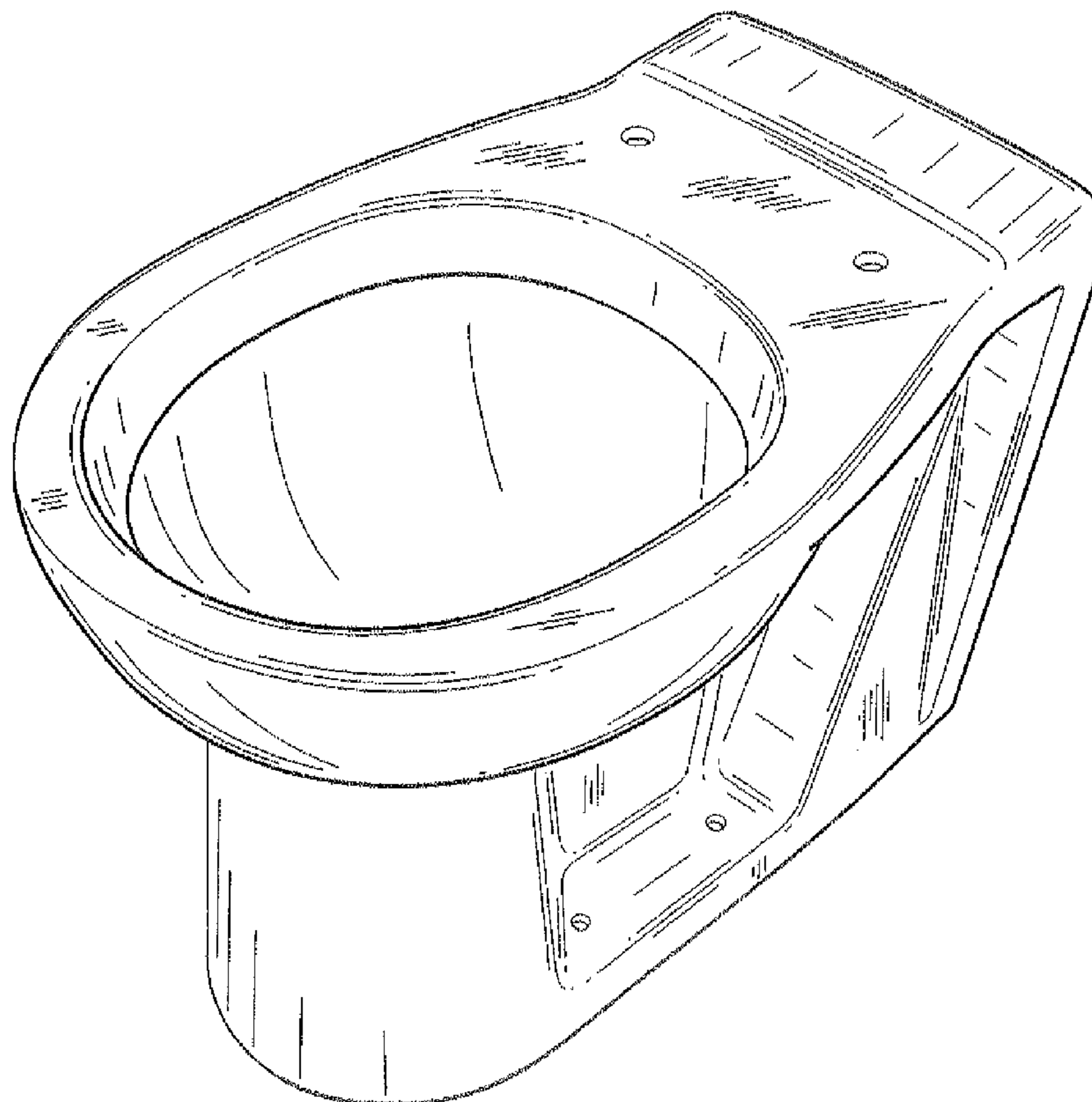
FIG. 4 is a right view of the toilet, as shown in FIG. 1;

FIG. 5 is a left side view of the toilet, as shown in FIG. 1;

FIG. 6 is a front side view of the toilet, as shown in FIG. 1; and,

FIG. 7 is a rear side view of the toilet, as shown in FIG. 1.

**1 Claim, 7 Drawing Sheets**



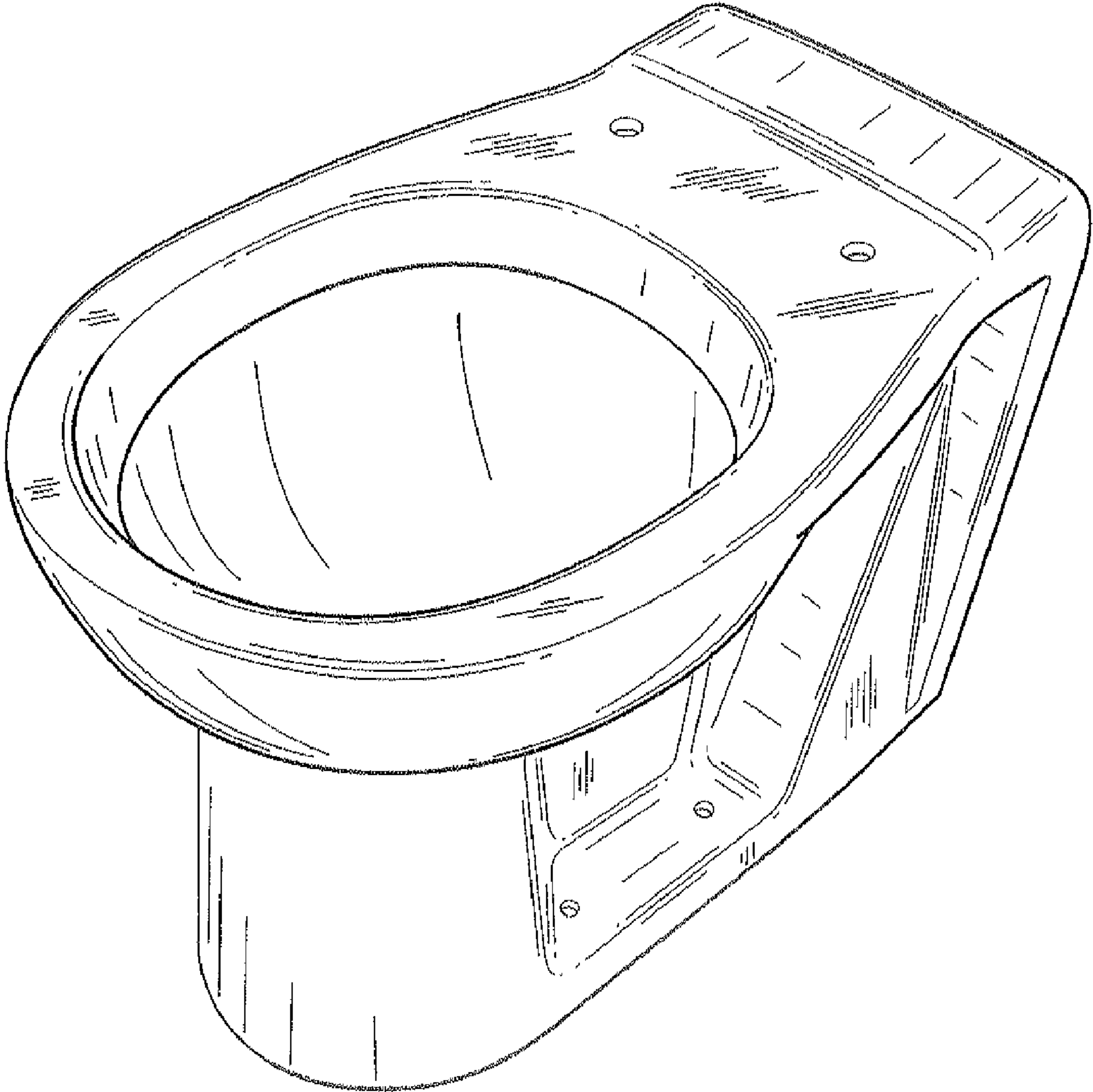


FIG. 1

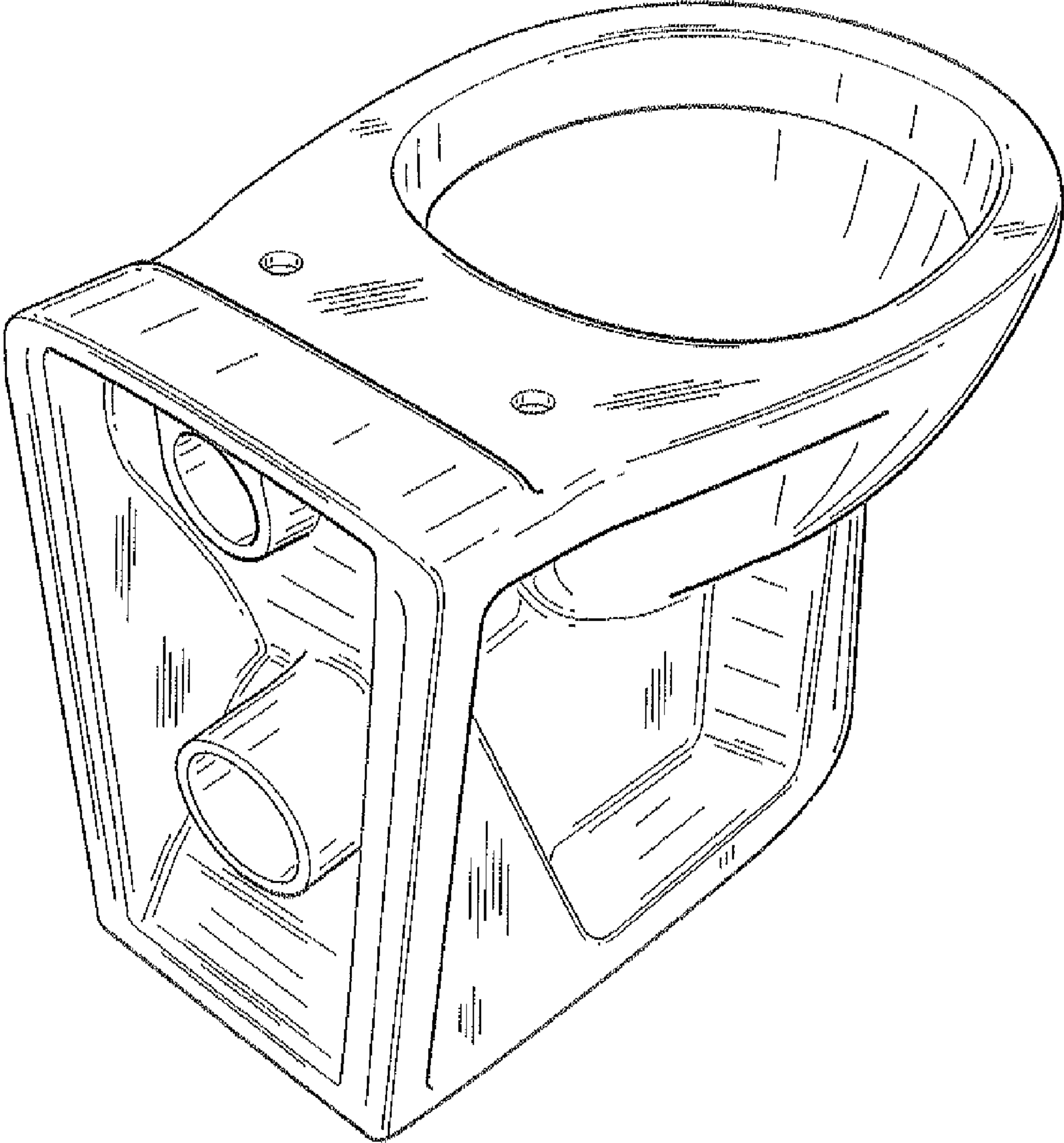


FIG. 2

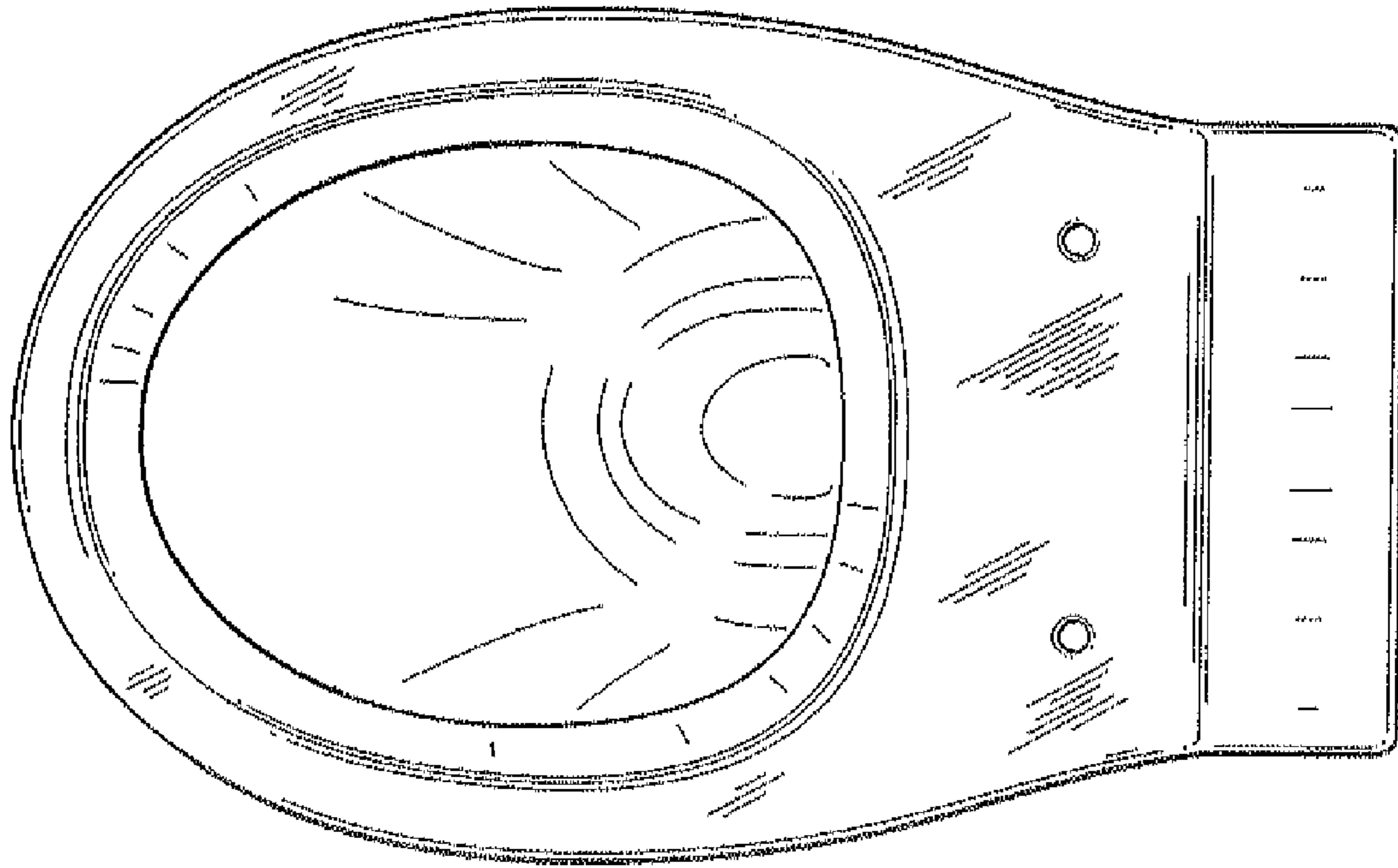


FIG. 3

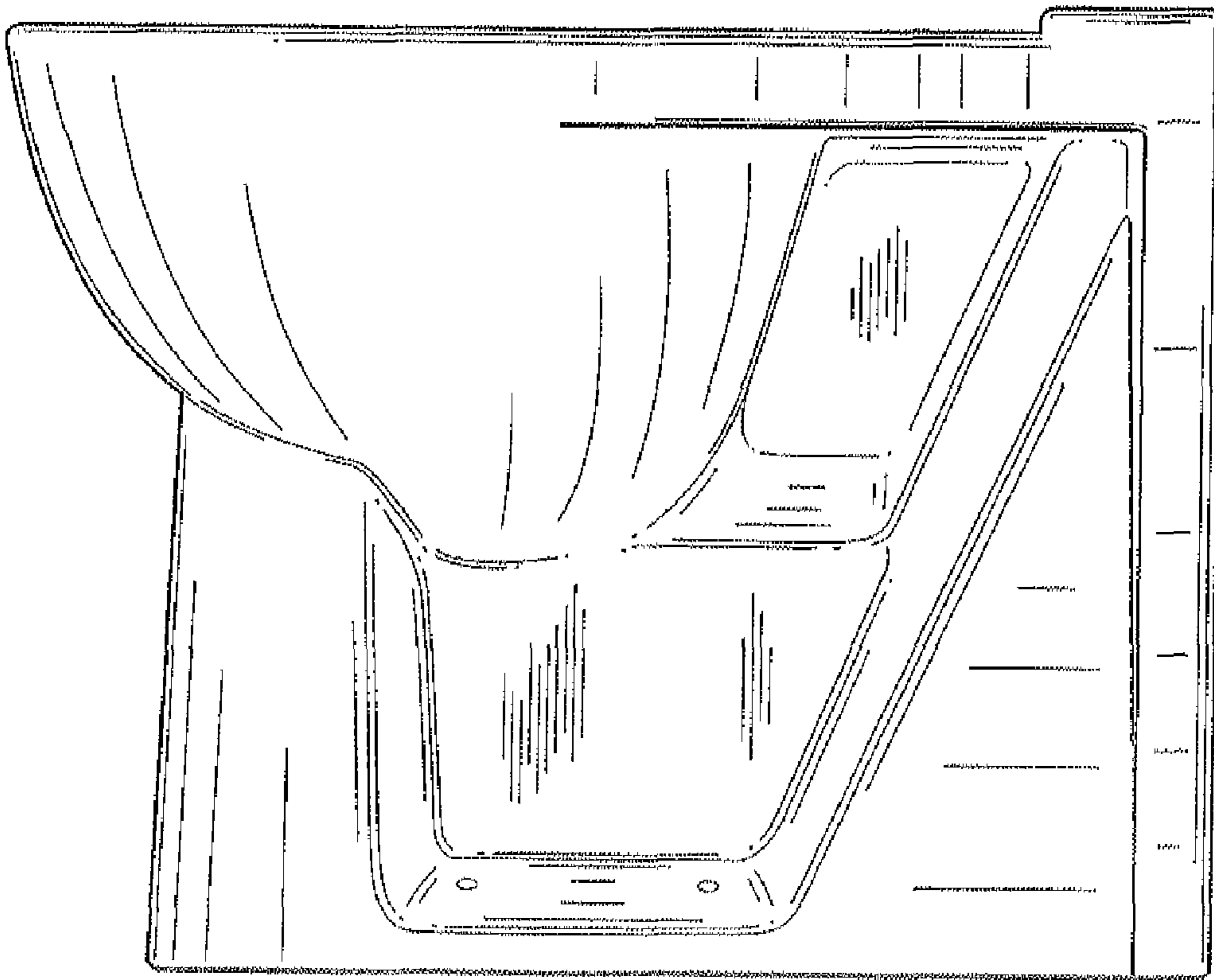


FIG. 4



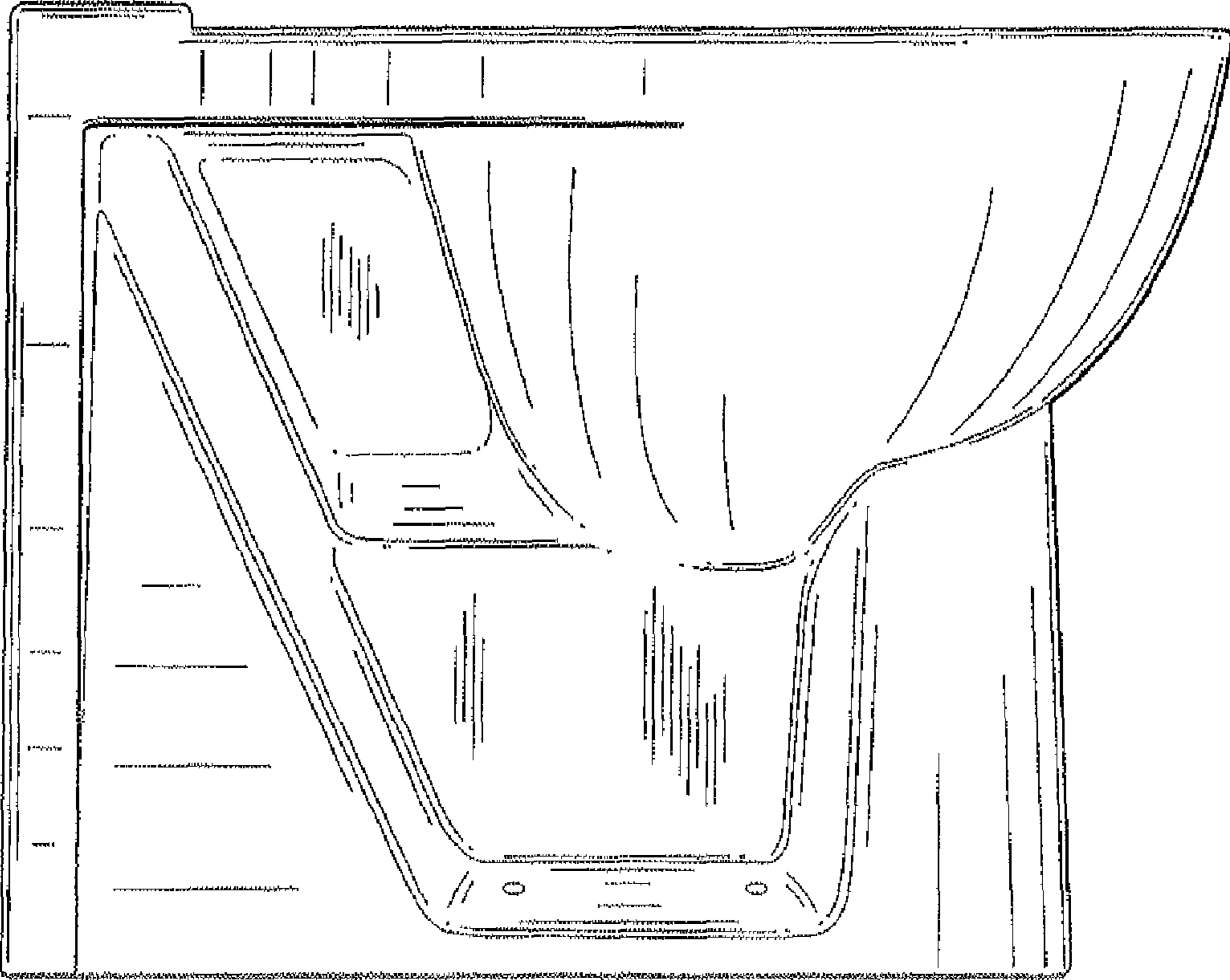


FIG. 5

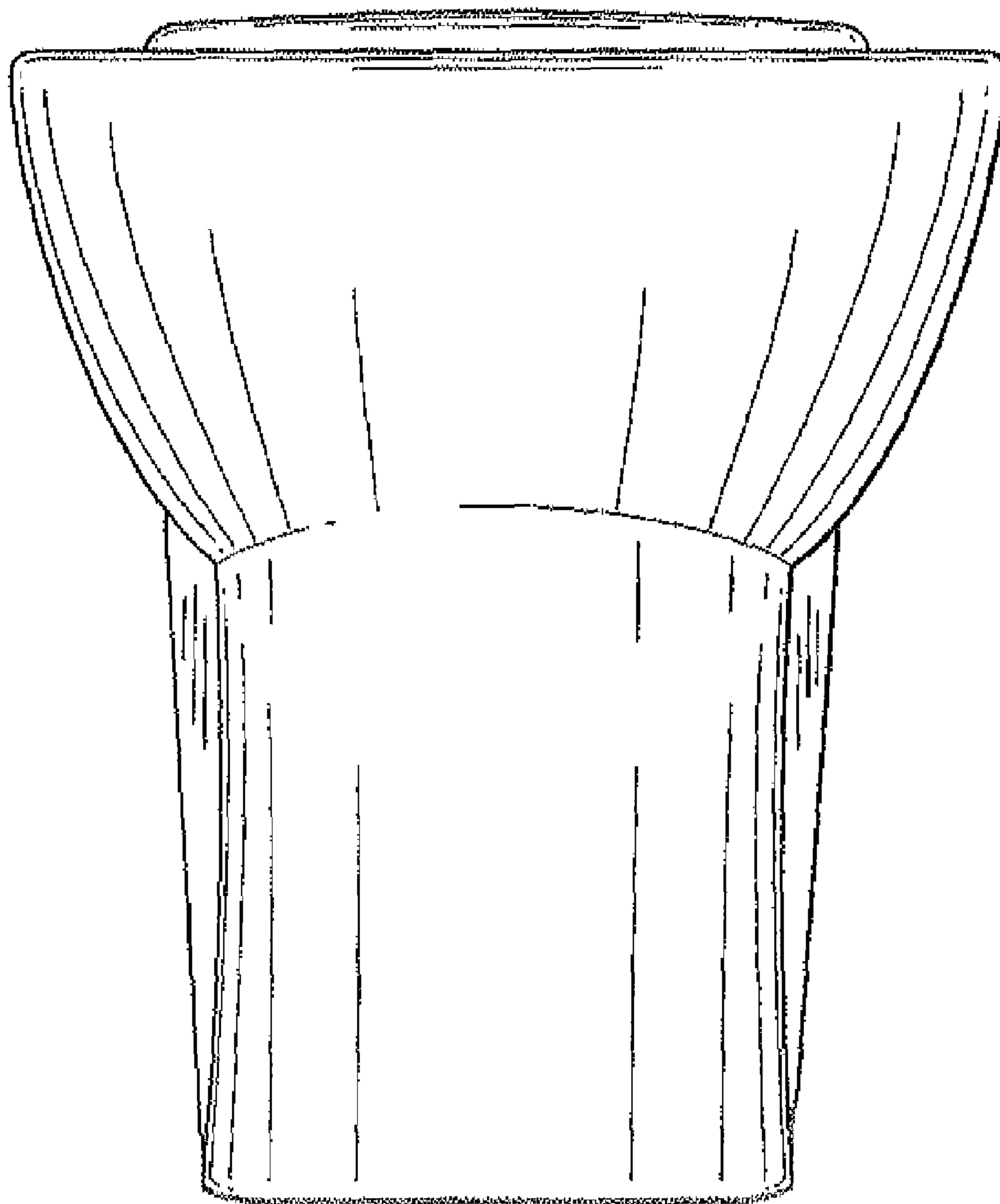


FIG. 6

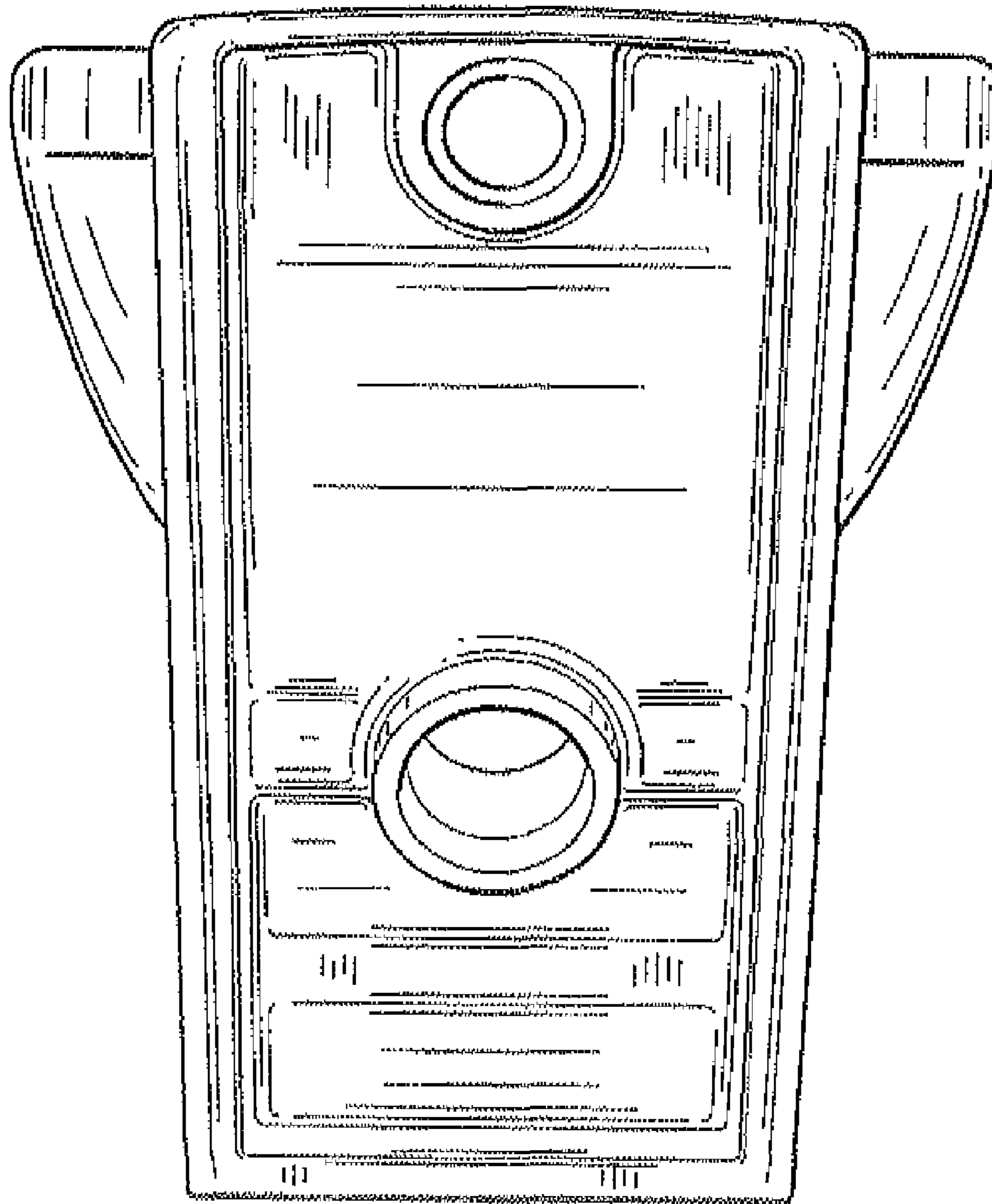


FIG. 7