



US00D658275S

(12) **United States Design Patent**
Luke et al.

(10) **Patent No.:** **US D658,275 S**
(45) **Date of Patent:** **** Apr. 24, 2012**

(54) **DRAINAGE CHANNEL**

(75) Inventors: **Owen Edward Luke**, Kiama Heights (AU); **Luke Nigel Natrass**, Rhodes (AU)

(73) Assignee: **Reln Pty Ltd**, Ingleburn (AU)

(**) Term: **14 Years**

(21) Appl. No.: **29/406,038**

(22) Filed: **Nov. 9, 2011**

(30) **Foreign Application Priority Data**

May 26, 2011 (AU) 12346/2011

(51) **LOC (9) Cl.** **23-01**

(52) **U.S. Cl.** **D23/267**

(58) **Field of Classification Search** D23/259–269;
52/11–13, 16; 248/48.1; 404/4–5, 2, 118
See application file for complete search history.

(56) **References Cited**

U.S. PATENT DOCUMENTS

| | | | | | |
|-----------|------|---------|------------------|-------|-----------|
| D51,509 | S * | 11/1917 | Plym | | D25/119 |
| 2,994,254 | A * | 8/1961 | Shumaker | | 404/2 |
| D255,886 | S * | 7/1980 | Flynn | | D11/156 |
| 4,365,911 | A * | 12/1982 | Rossberg | | 405/43 |
| 4,815,888 | A * | 3/1989 | Stegmeier | | 404/4 |
| D326,140 | S * | 5/1992 | Dekel | | D23/267 |
| 5,211,461 | A * | 5/1993 | Teufel et al. | | 312/334.4 |
| 5,380,121 | A * | 1/1995 | Schluter | | 404/14 |
| 5,454,663 | A * | 10/1995 | Stegmeier | | 404/2 |
| D377,389 | S * | 1/1997 | Phillips et al. | | D23/261 |
| 5,718,537 | A * | 2/1998 | Becker et al. | | 405/119 |
| 5,735,638 | A * | 4/1998 | Beamer | | 405/119 |
| 5,784,838 | A * | 7/1998 | Phillips | | 52/169.5 |
| 5,971,662 | A * | 10/1999 | Becker et al. | | 405/119 |
| 6,113,311 | A * | 9/2000 | Becker et al. | | 405/119 |
| D463,581 | S * | 9/2002 | Mann | | D25/164 |
| D466,596 | S * | 12/2002 | Stegmeier et al. | | D23/267 |
| 6,729,795 | B2 * | 5/2004 | Dahowski et al. | | 404/4 |

| | | | | | |
|--------------|------|---------|------------------|-------|---------|
| 6,860,678 | B2 * | 3/2005 | Gunter | | 405/118 |
| D519,601 | S * | 4/2006 | Addison | | D23/209 |
| 7,048,466 | B2 * | 5/2006 | Benesteau et al. | | 404/4 |
| D540,438 | S * | 4/2007 | Natrass | | D23/267 |
| 7,252,457 | B2 * | 8/2007 | Humphries et al. | | 405/35 |
| D565,148 | S * | 3/2008 | Addison | | D23/209 |
| D582,527 | S * | 12/2008 | Wang | | D23/261 |
| D583,913 | S * | 12/2008 | Natrass et al. | | D23/261 |
| D612,022 | S * | 3/2010 | Natrass et al. | | D23/267 |
| D613,831 | S * | 4/2010 | Bradbeer | | D23/267 |
| D613,832 | S * | 4/2010 | Bradbeer | | D23/267 |
| 7,794,176 | B2 * | 9/2010 | Musser | | 405/118 |
| 2003/0221373 | A1 * | 12/2003 | Kim | | 52/14 |
| 2005/0055887 | A1 * | 3/2005 | Benesteau et al. | | 52/11 |
| 2009/0103982 | A1 * | 4/2009 | Hodgekins et al. | | 405/118 |

* cited by examiner

Primary Examiner — T. Chase Nelson

Assistant Examiner — Eric Goodman

(74) *Attorney, Agent, or Firm* — Barnes & Thornburg LLP

(57) **CLAIM**

The ornamental design for a drainage channel, as shown and described.

DESCRIPTION

FIG. 1 is an isometric view of a drainage channel according to our invention, from above,

FIG. 2 is an isometric view thereof from below and from the opposite end,

FIG. 3 is a side elevational view thereof,

FIG. 4 is a side elevational view from the side opposite to FIG. 3,

FIG. 5 is a top plan view thereof,

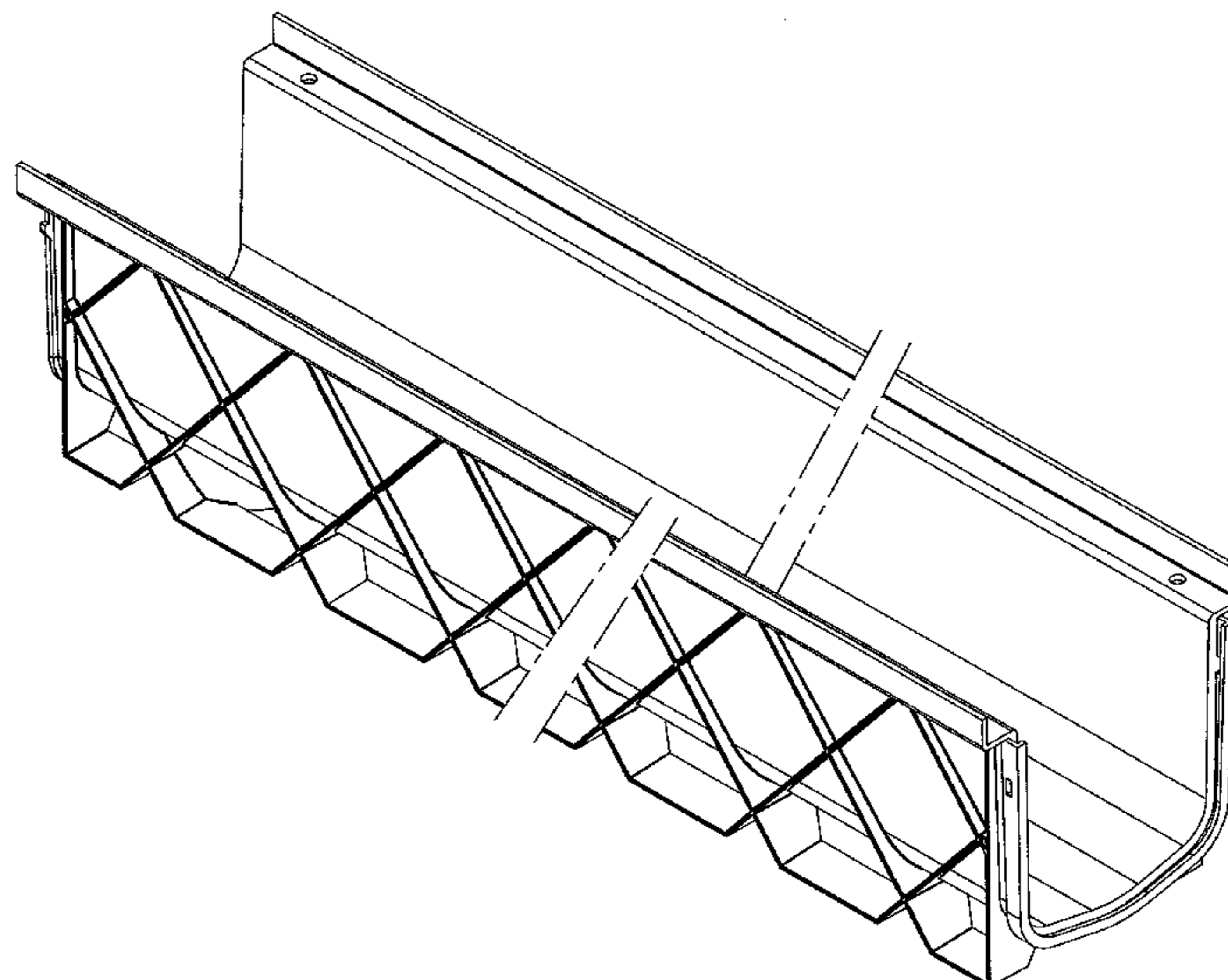
FIG. 6 is a bottom plan view thereof,

FIG. 7 is an end view thereof; and,

FIG. 8 is an end view from the opposite end.

The claimed design is shown broken away to indicate that no particular length of drainage channel forms a part of the claimed design.

1 Claim, 5 Drawing Sheets



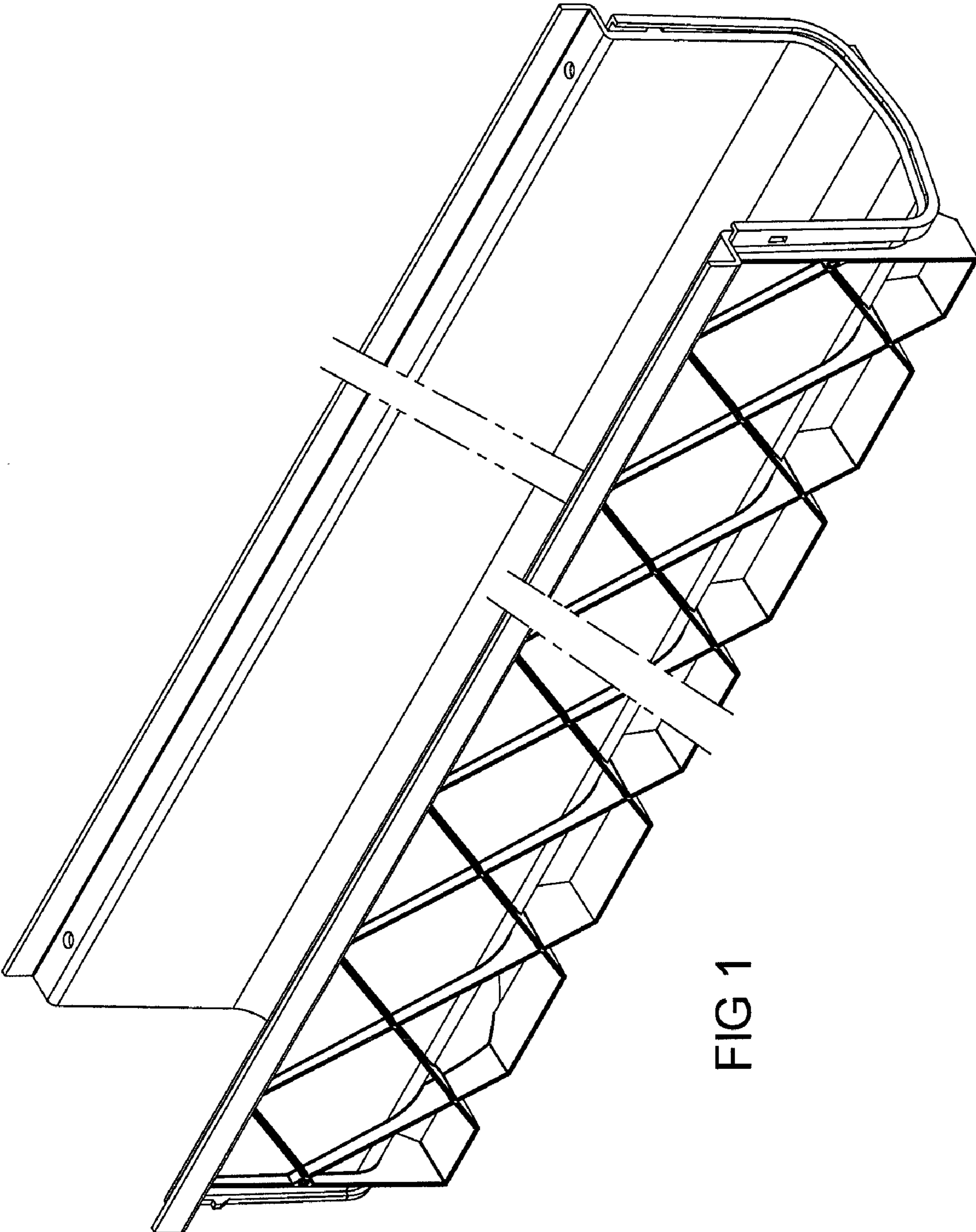


FIG 1

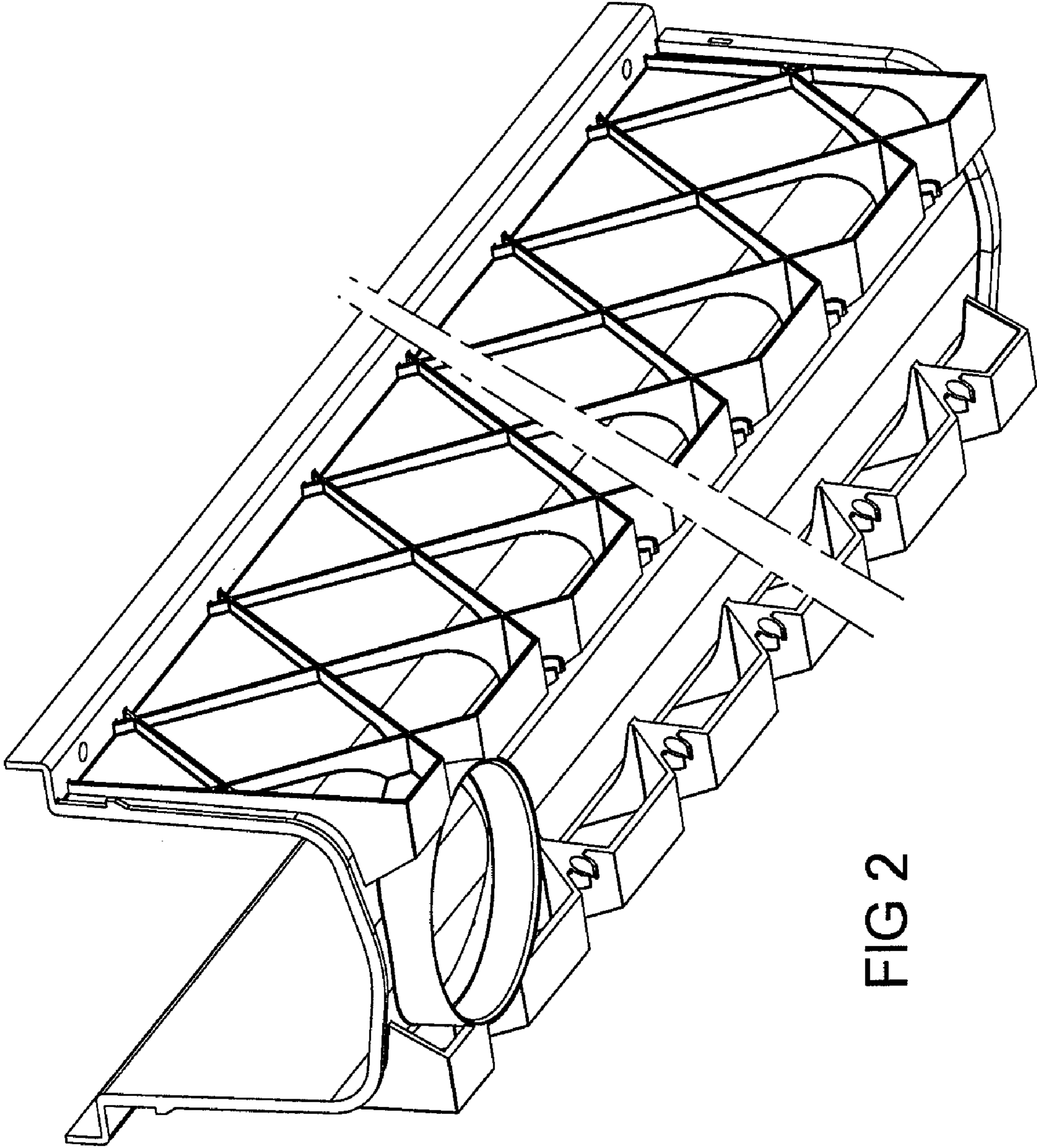


FIG 2

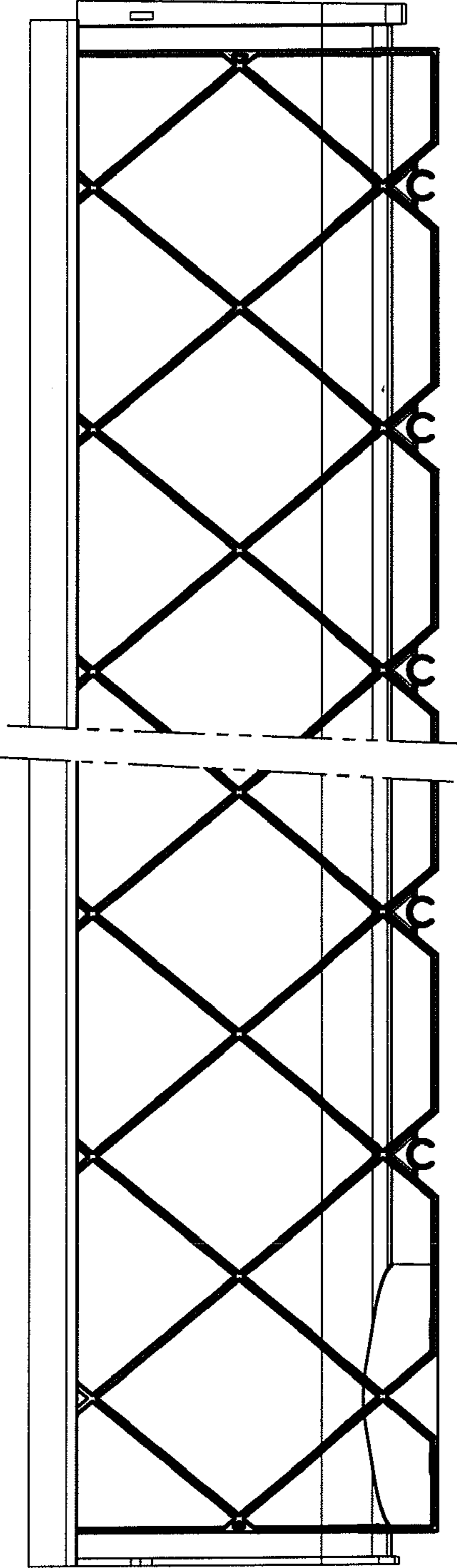


FIG 3

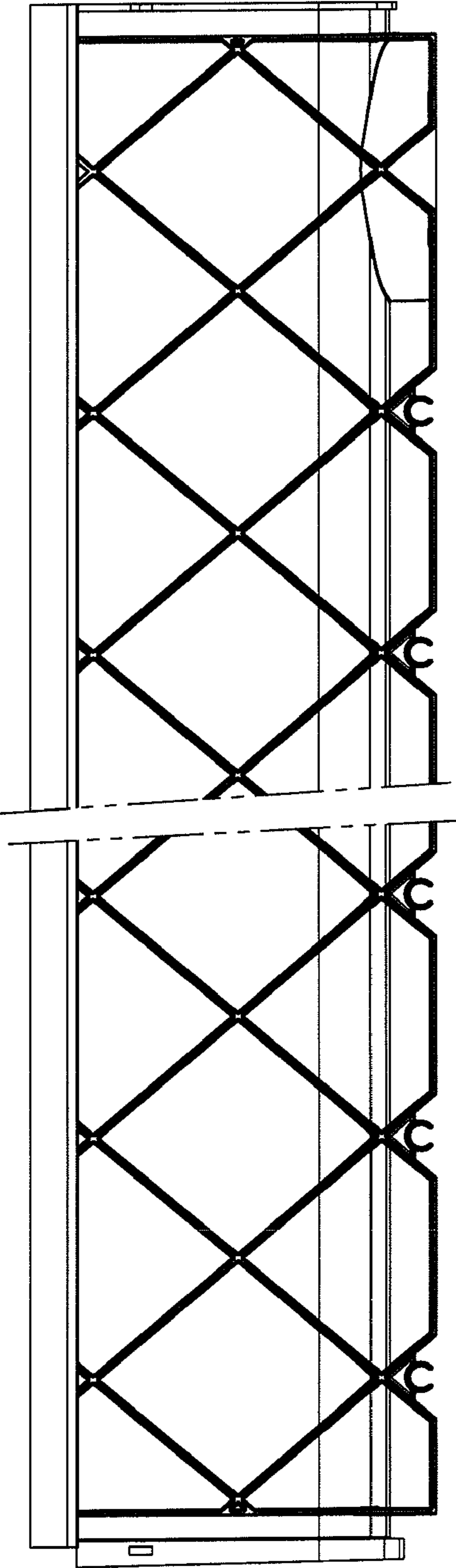


FIG 4

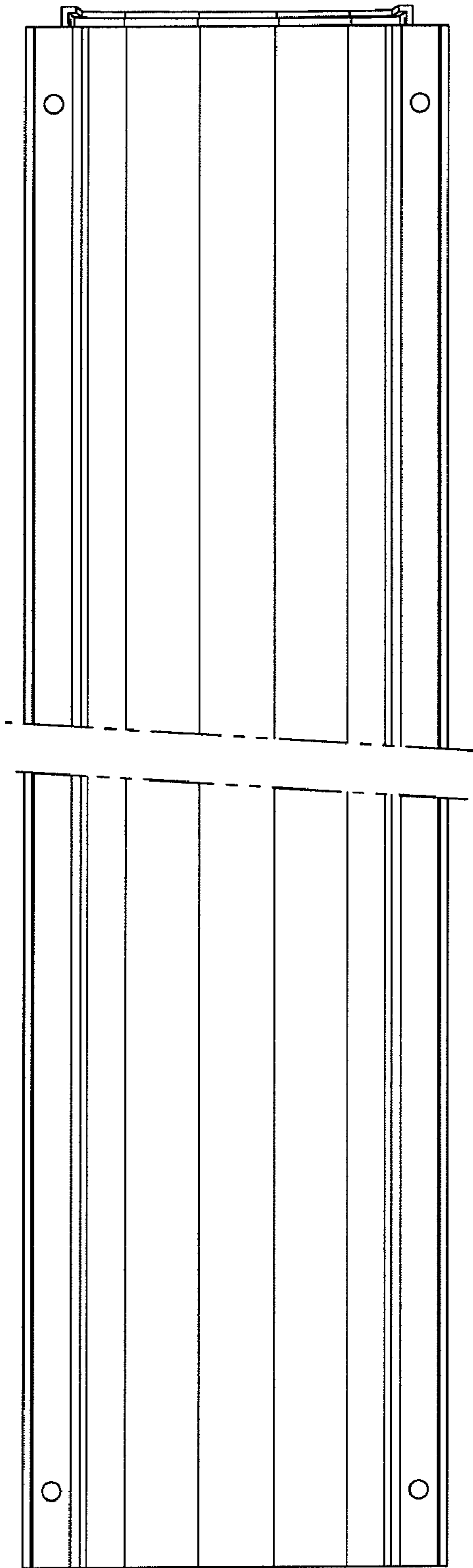


FIG 5

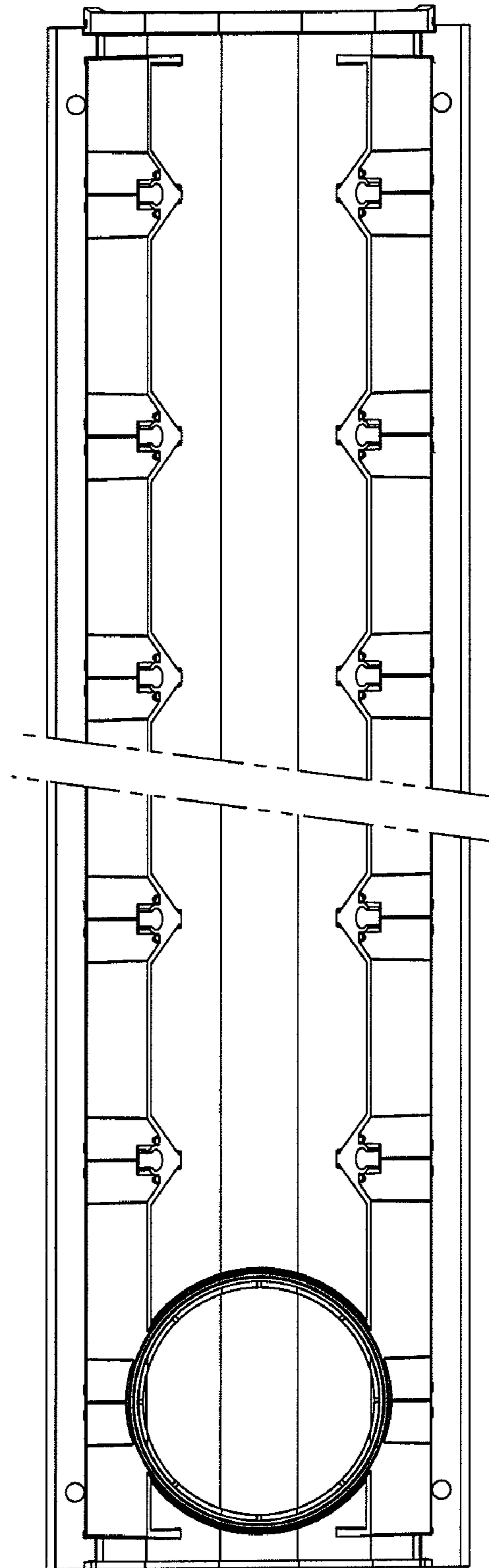


FIG 6

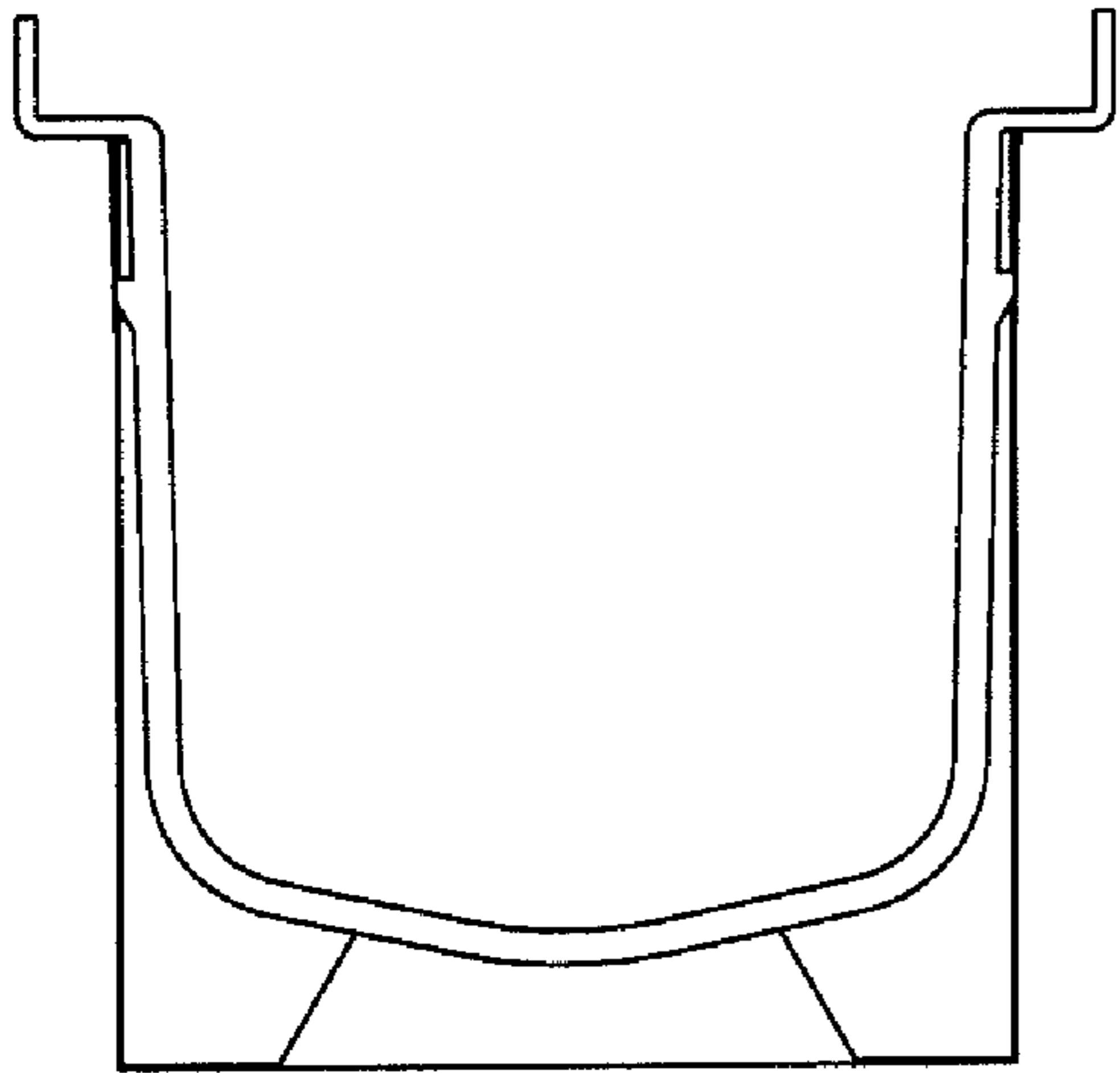


FIG 7

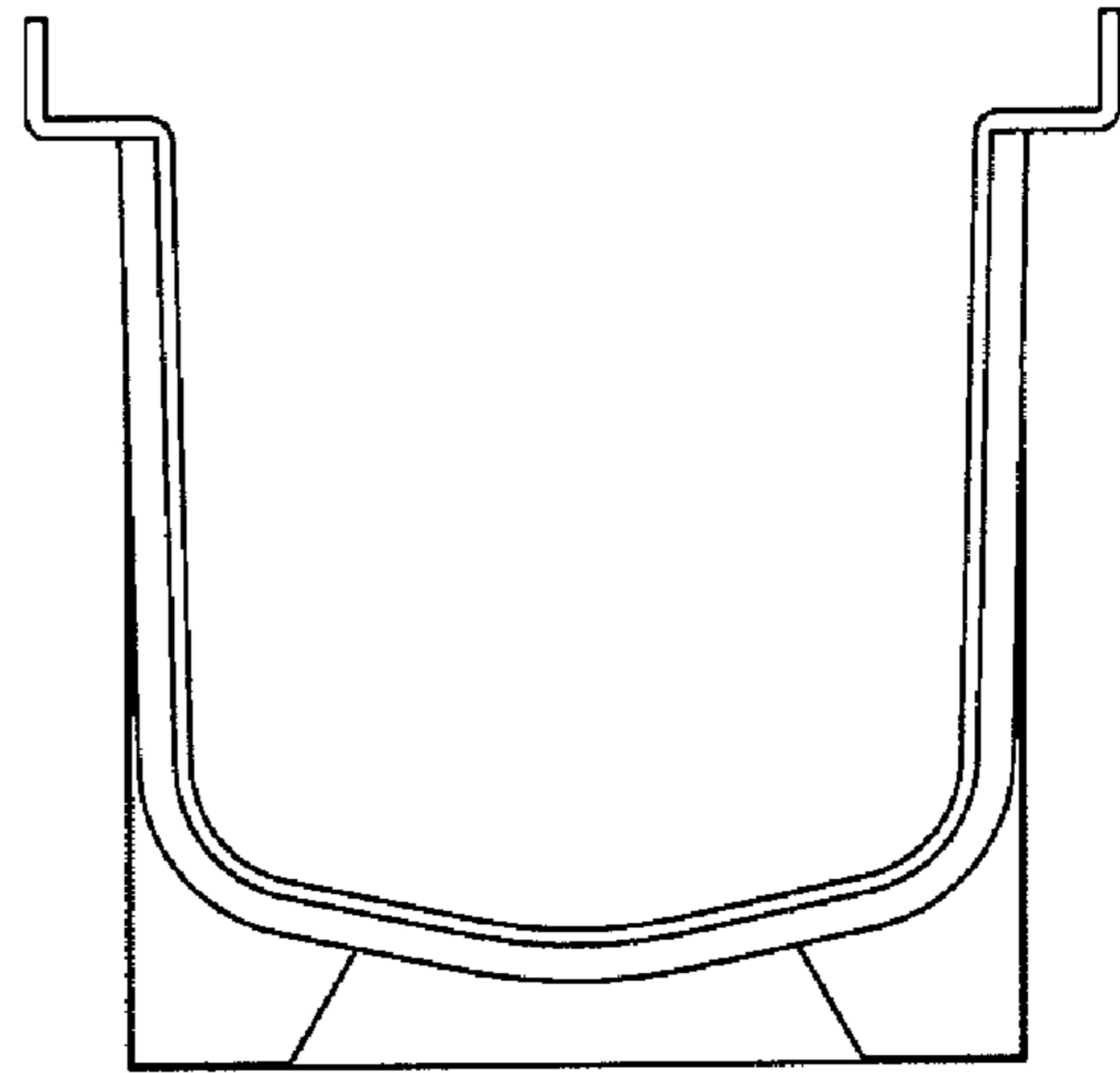


FIG 8