



US00D658274S

(12) **United States Design Patent**  
**Barnard**

(10) **Patent No.:** **US D658,274 S**  
(45) **Date of Patent:** **\*\* Apr. 24, 2012**

(54) **DISCHARGE HEAD**

(75) Inventor: **Dennis J. Barnard**, Conneaut, OH (US)

(73) Assignee: **Finish Thompson, Inc.**, Erie, PA (US)

(\*\*) Term: **14 Years**

(21) Appl. No.: **29/380,368**

(22) Filed: **Dec. 3, 2010**

(51) **LOC (9) Cl.** ..... **23-01**

(52) **U.S. Cl.** ..... **D23/263**

(58) **Field of Classification Search** ..... D23/233,  
D23/259-269; 4/211; 415/176; 23/14, 231,  
23/263; 285/22; 53/7; 222/382; 417/424,  
417/553, 182, 359-360, 421-422, 423.3

See application file for complete search history.

(56) **References Cited**

U.S. PATENT DOCUMENTS

1,629,208	A	8/1925	Ernst	
1,906,354	A	6/1929	Andreasen	
2,022,232	A	5/1933	Davis	
2,065,523	A	7/1934	Groeniger	
2,078,879	A	3/1935	Kaiser et al.	
2,121,558	A	6/1936	Coe et al.	
2,230,540	A	1/1940	Klein	
2,304,609	A	12/1941	Stokes	
D135,633	S	12/1942	Stark et al.	
D166,650	S	1/1947	Warren	
2,425,779	A *	8/1947	Allen	251/321
2,642,653	A	1/1950	Sundholm	
2,743,079	A *	4/1956	Sills	251/239
2,930,325	A	5/1958	Beard, et al.	
2,972,466	A *	2/1961	Allen et al.	251/35
D202,323	S	9/1965	Schulze	

(Continued)

FOREIGN PATENT DOCUMENTS

GB 1575991 10/1980

OTHER PUBLICATIONS

Flux Pumps Corporation Brochure, pp. 1-14, (publication date unknown).

(Continued)

*Primary Examiner* — T. Chase Nelson

*Assistant Examiner* — Eric Goodman

(74) *Attorney, Agent, or Firm* — Jon L. Woodard;  
MacDonald, Illig, Jones & Britton LLP

(57) **CLAIM**

What is claimed the ornamental design for a discharge head, as shown and described.

**DESCRIPTION**

FIG. 1 is a front perspective view of the discharge head of this invention;

FIG. 2 is an inverted rear perspective view of the discharge head shown in FIG. 1;

FIG. 3 is a front view of the discharge head shown in FIG. 1;

FIG. 4 is a rear view of the discharge head shown in FIG. 1;

FIG. 5 is a left side view of the discharge head shown in FIG. 1;

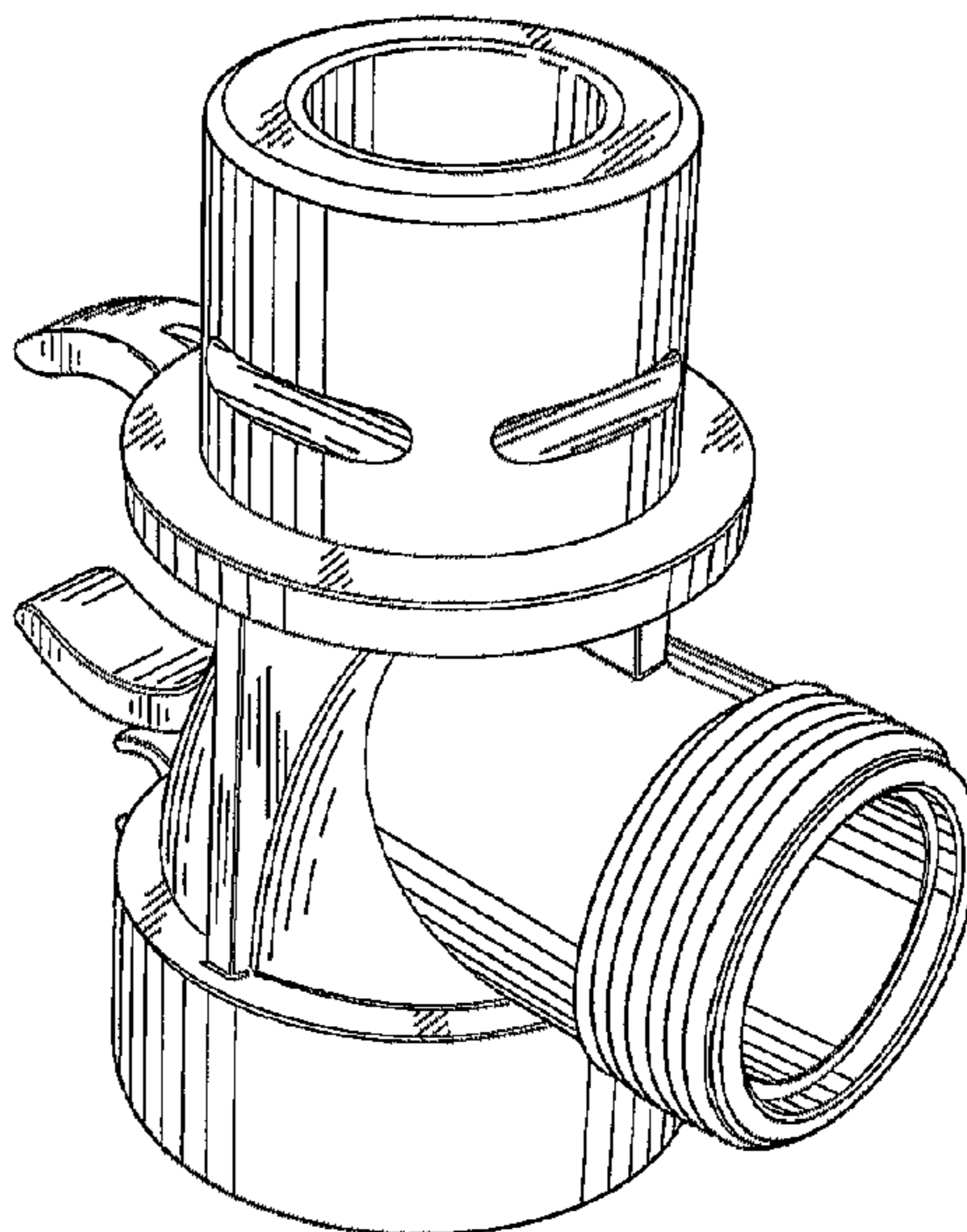
FIG. 6 is a right side view of the discharge head shown in FIG. 1;

FIG. 7 is a top view of the discharge head shown in FIG. 1; and,

FIG. 8 is a bottom view of the discharge head shown in FIG. 1.

Broken lines shown are included for illustrating portions of the article and form no part of the claimed design.

**1 Claim, 4 Drawing Sheets**



# US D658,274 S

Page 2

## U.S. PATENT DOCUMENTS

D204,184 S \* 3/1966 Schulze ..... D23/263  
3,633,943 A 1/1972 Ramm et al. .... 285/22  
3,771,278 A 11/1973 Gray et al. .... 53/7  
3,771,926 A 11/1973 Pardieck, III ..... 415/176  
3,894,302 A 7/1975 Lasater ..... 4/211  
4,114,782 A 9/1978 Berry ..... 222/382  
4,177,022 A 12/1979 Roth ..... 417/424  
D254,564 S \* 3/1980 Johnson ..... D23/263  
D255,596 S \* 6/1980 Johnson ..... D23/263  
D256,945 S 9/1980 Willis ..... 23/14  
4,403,926 A 9/1983 Stamper ..... 417/553  
4,506,918 A 3/1985 Friedrich et al. .... 285/156  
4,668,166 A 5/1987 Lutz ..... 415/219  
D300,553 S 4/1989 Willis ..... 23/231  
D304,486 S 11/1989 Elder et al. .... D23/233  
D330,584 S 10/1992 Snoke et al. .... 23/263  
5,277,226 A \* 1/1994 Kuhlman ..... 137/862  
D343,889 S 2/1994 Stonecypher ..... 23/263  
D347,271 S 5/1994 Inda et al. .... D23/263  
5,944,985 A 8/1999 Bowman ..... 210/153  
6,050,788 A \* 4/2000 McEwen et al. .... 417/423.11  
6,537,036 B1 3/2003 Broerman et al. .... 417/182  
6,641,375 B2 11/2003 Liao ..... 417/360  
D550,334 S \* 9/2007 De Alba ..... D23/259

D597,182 S 7/2009 Choi ..... 23/263  
D614,737 S \* 4/2010 Lass ..... D23/262  
2005/0104371 A1 \* 5/2005 Atkinson ..... 285/133.11  
2005/0276711 A1 \* 12/2005 Marshall et al. .... 417/540  
2006/0255187 A1 \* 11/2006 Rust ..... 239/548

## OTHER PUBLICATIONS

Junior Flux Brochure, Flux Pumps Corp., pp. 1-8, (publication date unknown).

Rapid Drum Pump Brochure, Rapid Fluid Equipment Ltd., pp. 1-7 (publication date unknown).

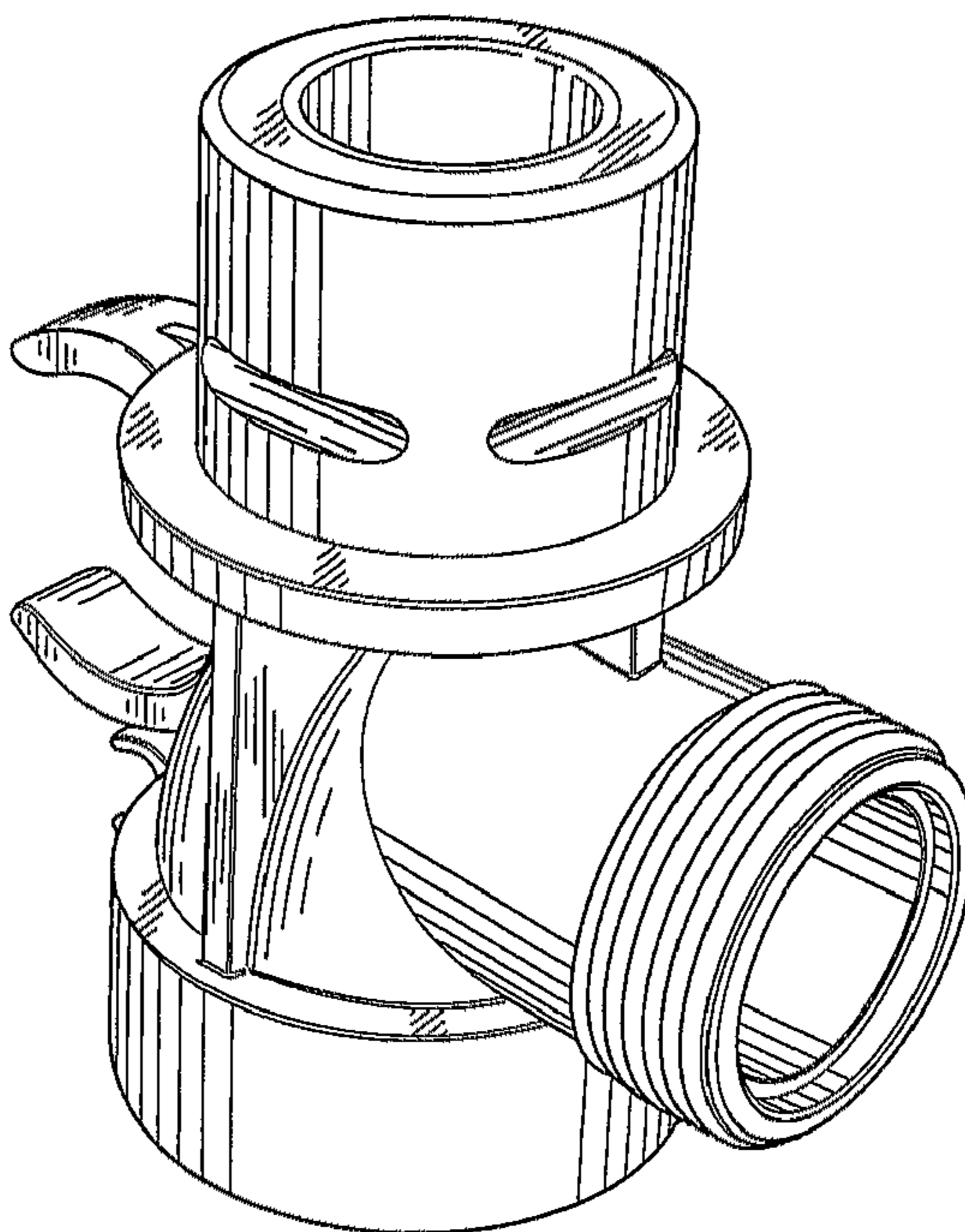
The All American Drum Pump Brochure, ITT Jabsco, pp. 1-4, 1985.  
Superior Liquid Transfer with the Grün Barrel Pumps Brochure, Grün Fördertechnik GmbH, pp. 1-19 (publication date unknown).

New Low Price Brochure, Sethco Div. of Metpro Corp., pp. 1-2, (publication date unknown).

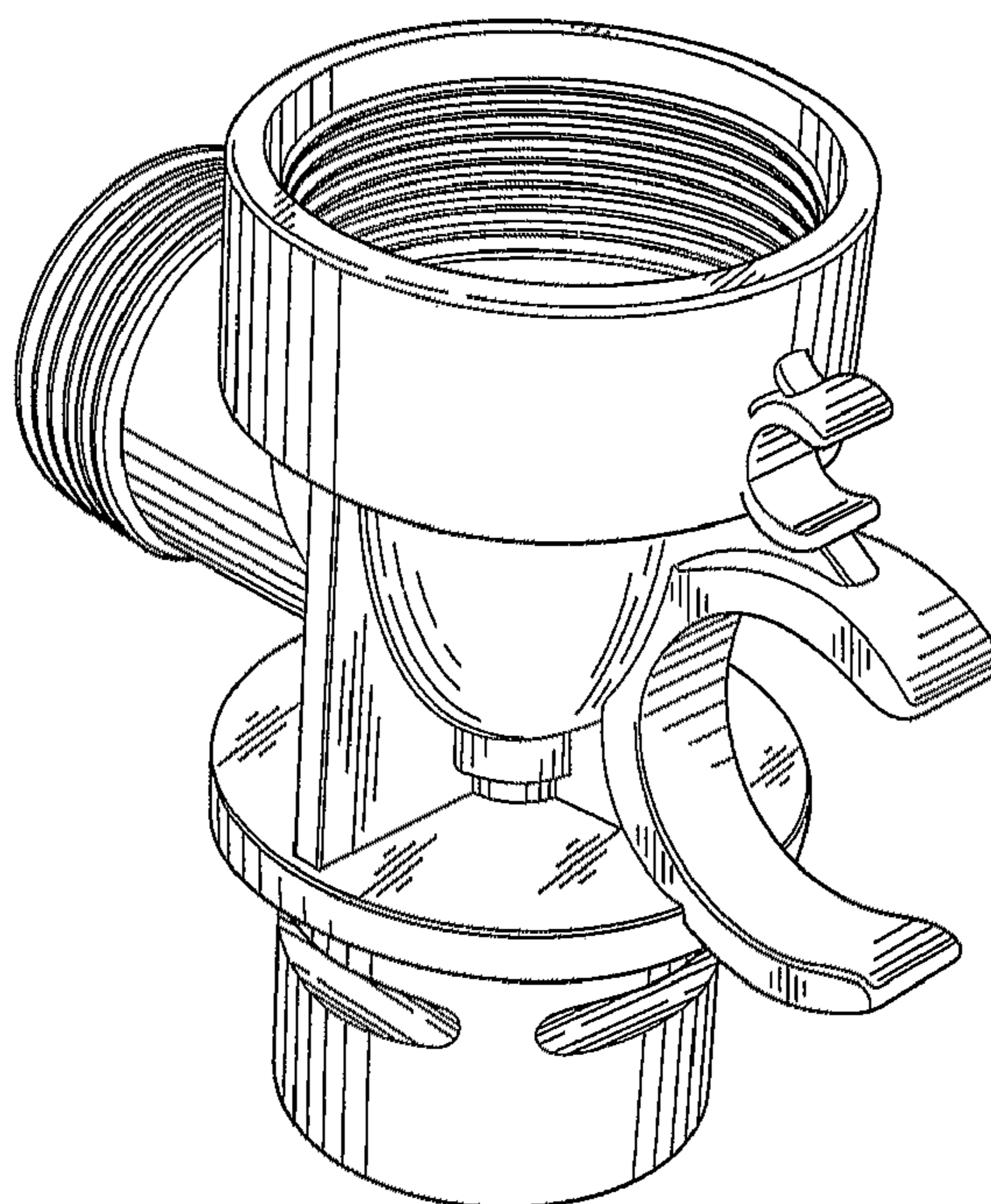
Drum & Container Pumps Brochure, Standard Pump, Inc., pp. 1-16, 2003.

Pages from Katalog: Elektrische Faß-und Behälterpumpen, Lutz Pumpen Gubitt & Co., cover and pp. 9-15, (publication date unknown).

\* cited by examiner

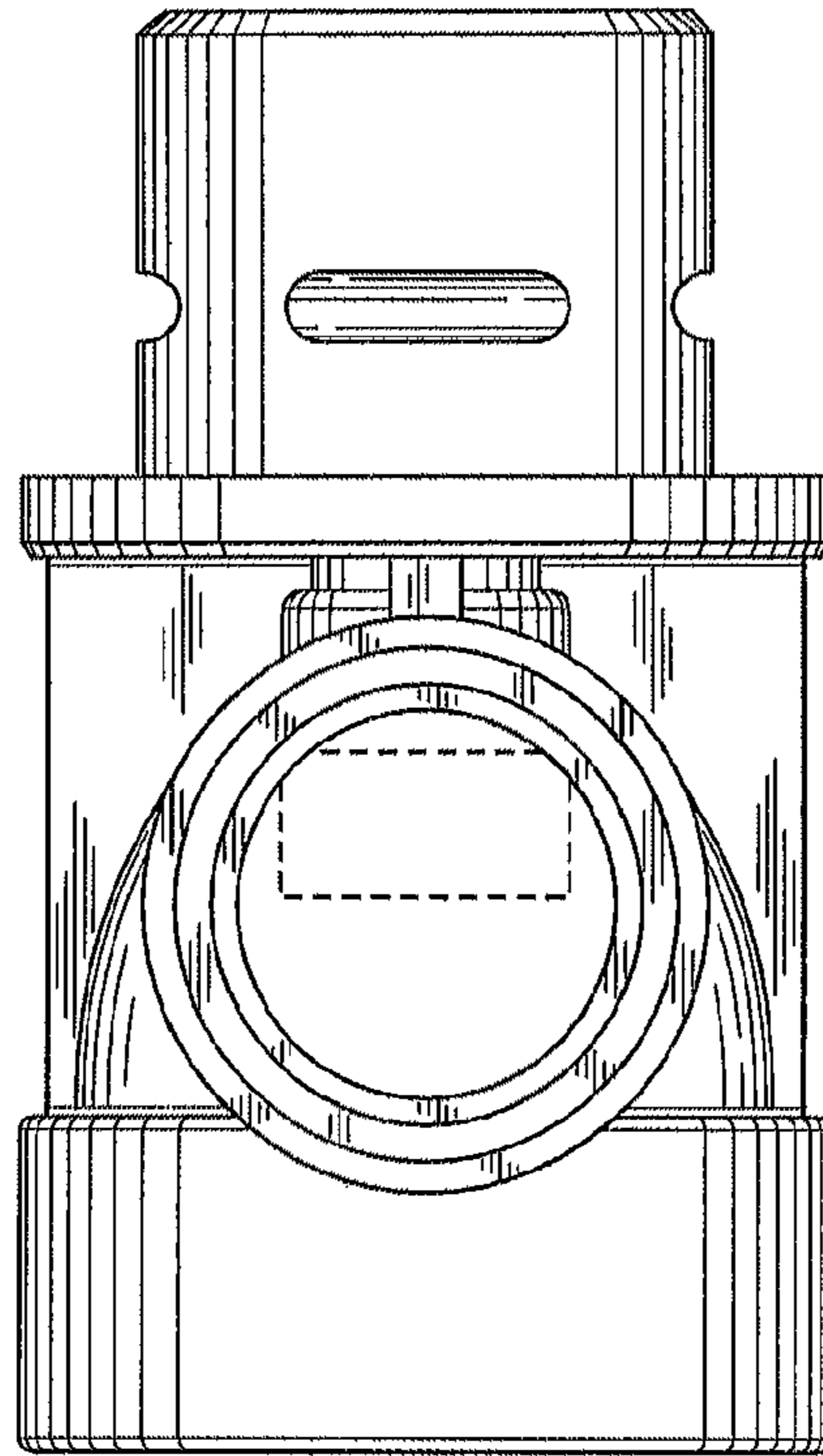


*Fig. 1*

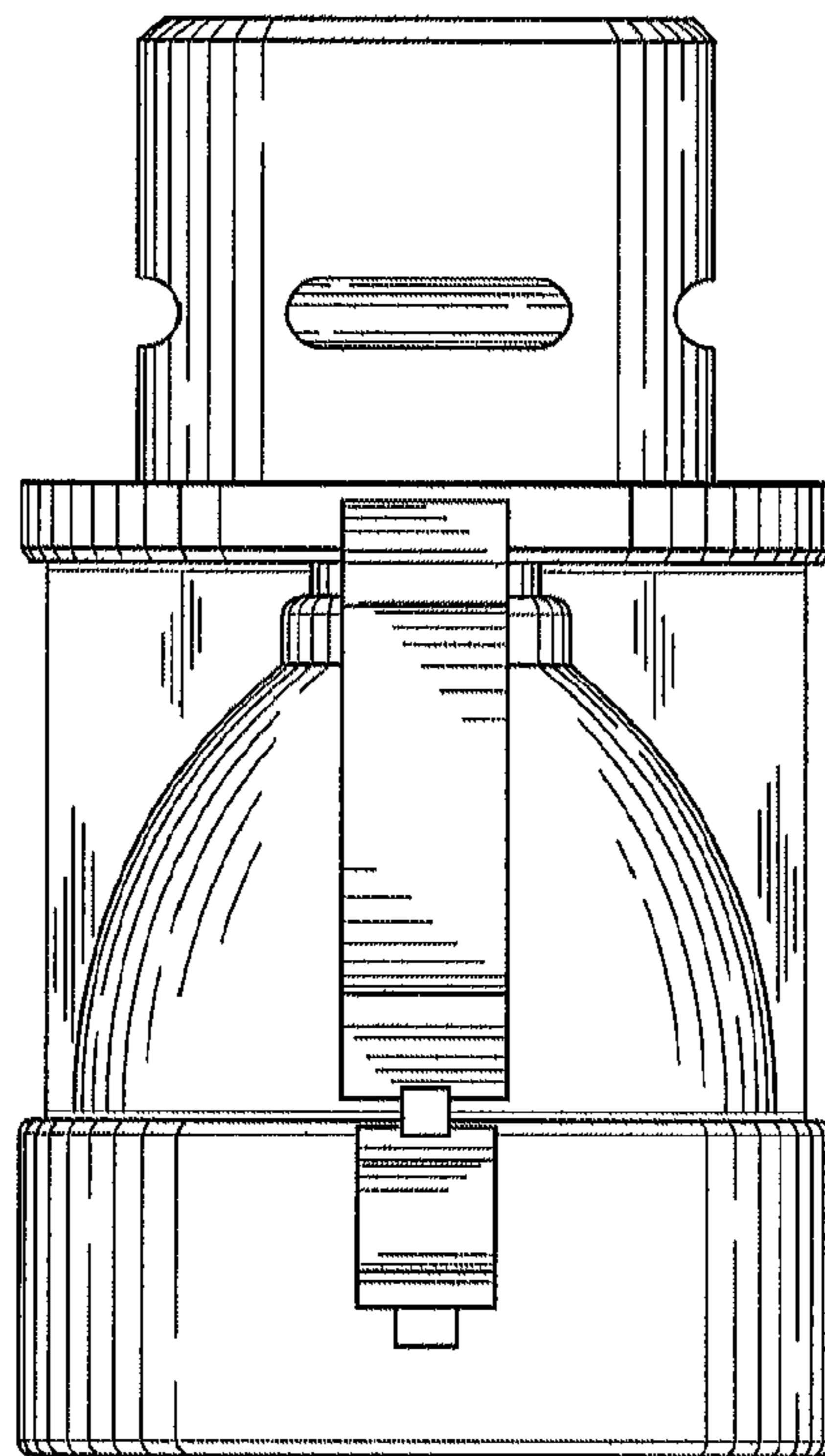


*Fig. 2*

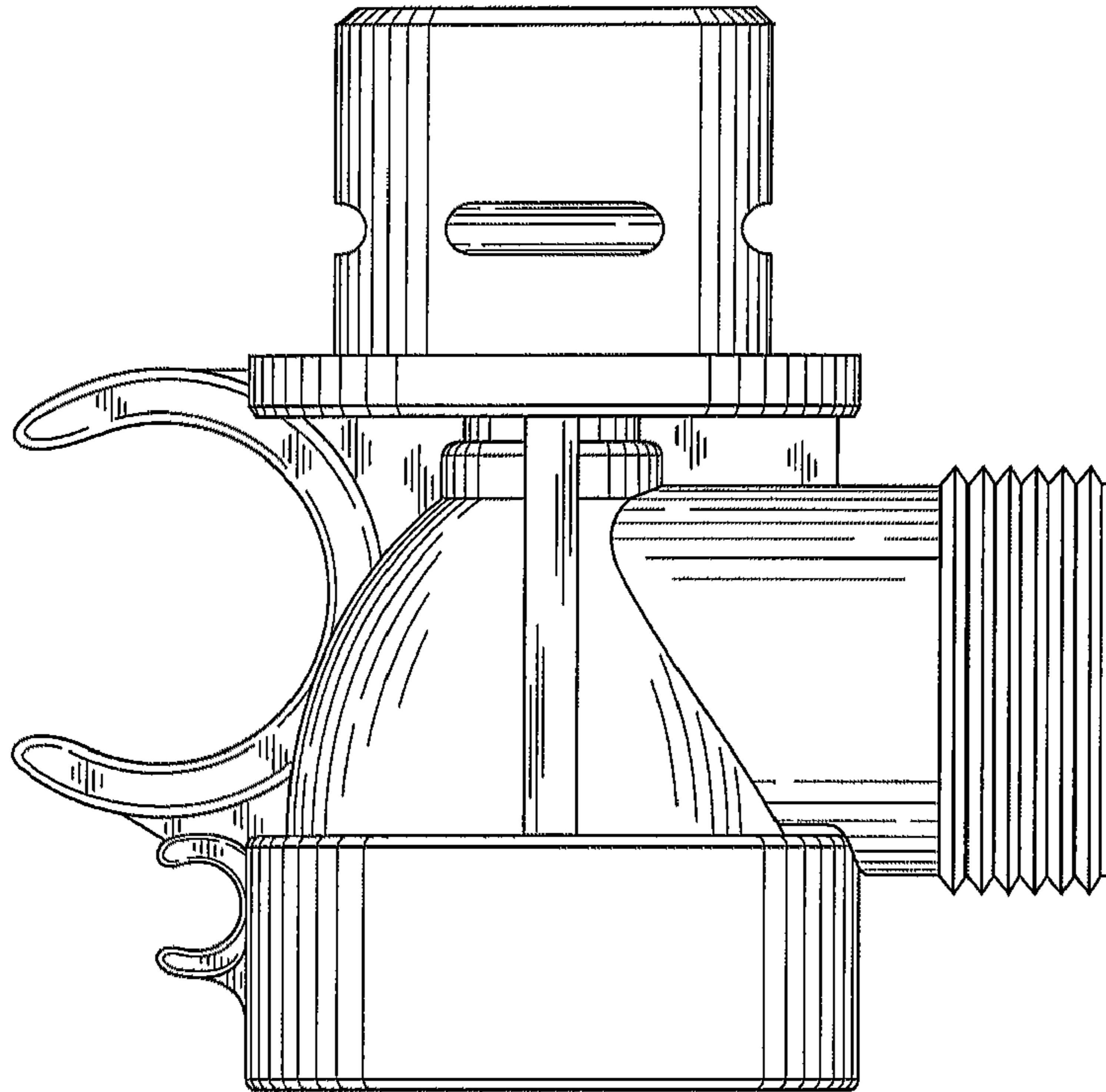




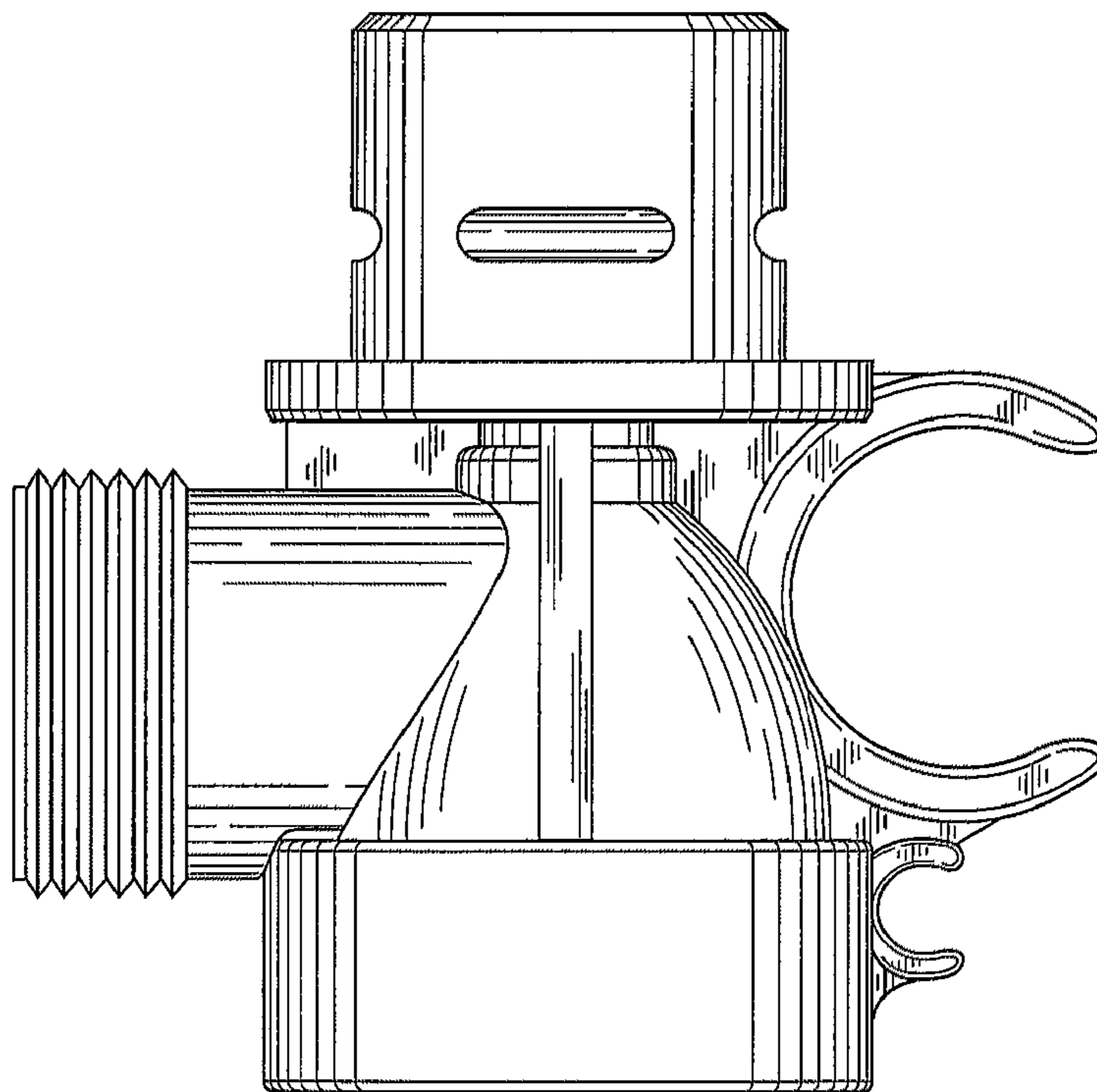
*Fig.3*



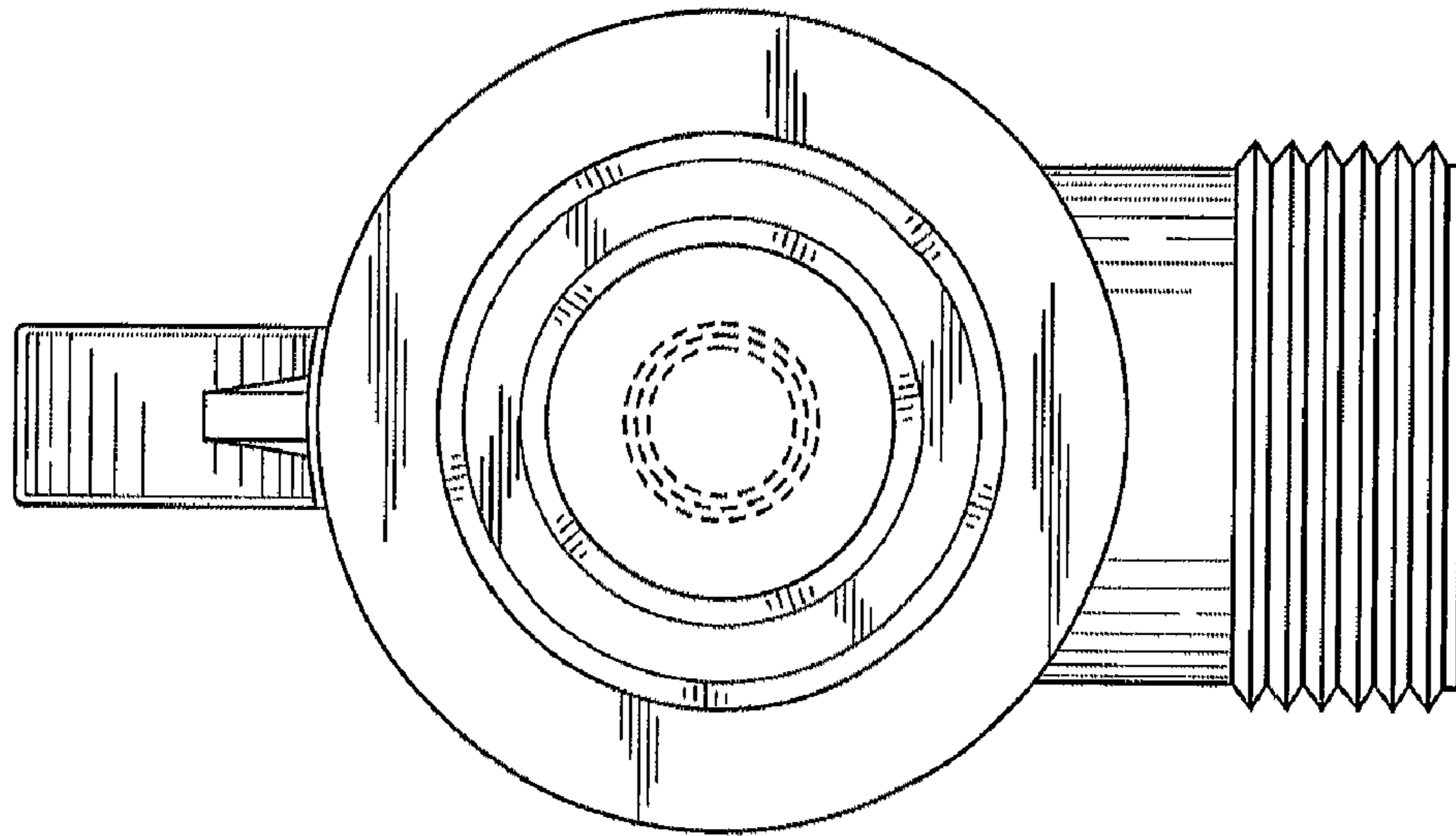
*Fig.4*



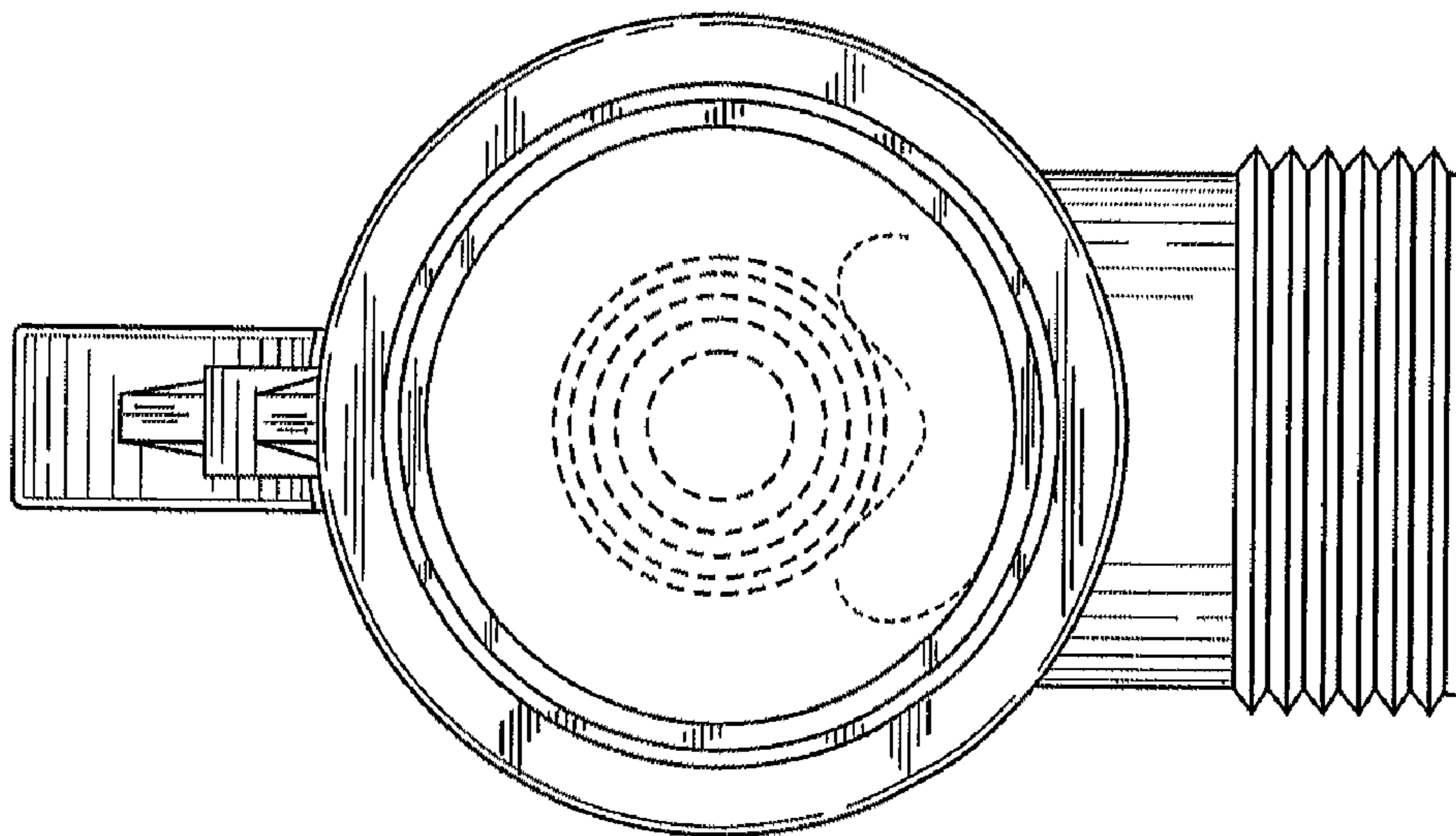
*Fig. 5*



*Fig. 6*



*Fig. 7*



*Fig. 8*