



US00D658273S

(12) **United States Design Patent**
Cardo

(10) **Patent No.:** **US D658,273 S**
(45) **Date of Patent:** **** Apr. 24, 2012**

(54) **DISCHARGE HEAD**

(75) Inventor: **Douglas A. Cardo**, Erie, PA (US)

(73) Assignee: **Finish Thompson, Inc.**, Erie, PA (US)

(**) Term: **14 Years**

(21) Appl. No.: **29/380,347**

(22) Filed: **Dec. 3, 2010**

(51) **LOC (9) Cl.** **23-01**

(52) **U.S. Cl.** **D23/263**

(58) **Field of Classification Search** D23/233,
D23/259-269; 4/211; 415/176; 23/14, 231,
23/263; 285/22; 53/7; 222/382; 417/424,
417/553, 182, 359-360, 421-422, 423.3

See application file for complete search history.

(56) **References Cited**

U.S. PATENT DOCUMENTS

1,629,208	A	8/1925	Ernst	
1,906,354	A	6/1929	Andreasen	
2,022,232	A	5/1933	Davis	
2,065,523	A	7/1934	Groeniger	
2,078,879	A	3/1935	Kaiser et al.	
2,121,558	A	6/1936	Coe et al.	
2,230,540	A	1/1940	Klein	
2,304,609	A	12/1941	Stokes	
D135,633	S	12/1942	Stark et al.	
D166,650	S	1/1947	Warren	
2,425,779	A *	8/1947	Allen	251/321
2,642,653	A	1/1950	Sundholm	
2,743,079	A *	4/1956	Sills	251/239
2,930,325	A	8/1958	Beard et al.	
2,972,466	A *	2/1961	Allen et al.	251/35
D202,323	S	9/1965	Schulze	

(Continued)

FOREIGN PATENT DOCUMENTS

GB 1575991 10/1980

OTHER PUBLICATIONS

Flux Pumps Corporation Brochure, pp. 1-14, (publication date unknown).

(Continued)

Primary Examiner — T. Chase Nelson

Assistant Examiner — Eric Goodman

(74) *Attorney, Agent, or Firm* — Jon L. Woodard;
MacDonald, Illig, Jones & Britton LLP

(57) **CLAIM**

The ornamental design for a discharge head, as shown and described.

DESCRIPTION

FIG. 1 is a rear perspective view of the discharge head of this invention;

FIG. 2 is an inverted front perspective view of the discharge head shown in FIG. 1;

FIG. 3 is a front view of the discharge head shown in FIG. 1;

FIG. 4 is a rear view of the discharge head shown in FIG. 1;

FIG. 5 is a left side view of the discharge head shown in FIG. 1;

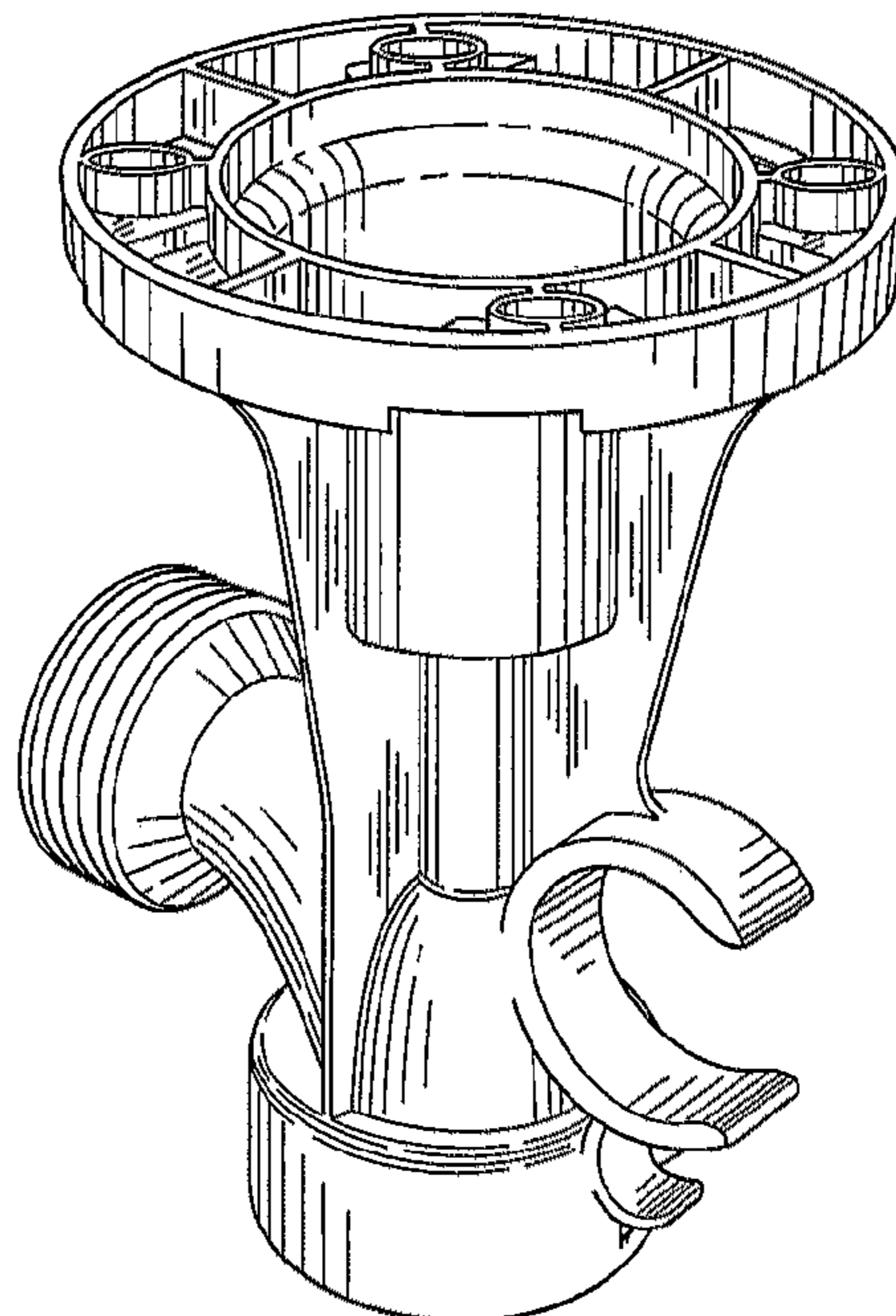
FIG. 6 is a right side view of the discharge head shown in FIG. 1;

FIG. 7 is a top view of the discharge head shown in FIG. 1;

and,
FIG. 8 is a bottom view of the discharge head shown in FIG. 1.

Broken lines shown are included for illustrating portions of the article and form no part of the claimed design.

1 Claim, 4 Drawing Sheets



US D658,273 S

Page 2

U.S. PATENT DOCUMENTS

D204,184 S * 3/1966 Schulze D23/263
3,633,943 A 1/1972 Ramm et al. 285/22
3,771,278 A 11/1973 Gray et al. 53/7
3,771,926 A 11/1973 Pardieck, III 415/176
3,894,302 A 7/1975 Lasater 4/211
4,114,782 A 9/1978 Berry 222/382
4,177,022 A 12/1979 Roth 417/424
D254,564 S * 3/1980 Johnson D23/263
D255,596 S * 6/1980 Johnson D23/263
D256,945 S 9/1980 Willis 23/14
4,403,926 A 9/1983 Stamper 417/553
4,506,918 A 3/1985 Friedrich et al. 285/156
4,668,166 A 5/1987 Lutz 415/219
D300,553 S 4/1989 Willis 23/231
D304,486 S 11/1989 Elder et al.
D330,584 S 10/1992 Snoke et al. D23/263
5,277,226 A * 1/1994 Kuhlman 137/862
D343,889 S 2/1994 Stonecypher 23/263
D347,271 S 5/1994 Inda et al. D23/263
5,944,985 A 8/1999 Bowman 210/153
6,050,788 A * 4/2000 McEwen et al. 417/423.11
6,537,036 B1 3/2003 Broerman et al. 417/182
6,641,375 B2 11/2003 Liao 417/360
D550,334 S * 9/2007 De Alba D23/259

D597,182 S 7/2009 Choi 23/263
D614,737 S * 4/2010 Lass D23/262
2005/0104371 A1 * 5/2005 Atkinson 285/133.11
2005/0276711 A1 * 12/2005 Marshall et al. 417/540
2006/0255187 A1 * 11/2006 Rust 239/548

OTHER PUBLICATIONS

Junior Flux Brochure, Flux Pumps Corp., pp. 1-8, (publication date unknown).

Rapid Drum Pump Brochure, Rapid Fluid Equipment Ltd., pp. 1-7 (publication date unknown).

The All American Drum Pump Brochure, ITT Jabsco, pp. 1-4, 1985.

Superior Liquid Transfer with the Grün Barrel Pumps Brochure, Grün Fördertechnik GmbH, pp. 1-19 (publication date unknown).

New Low Price Brochure, Sethco Div. of Metpro Corp., pp. 1-2, (publication date unknown).

Drum & Container Pumps Brochure, Standard Pump, Inc., pp. 1-16, 2003.

Pages from Katalog: Elektrische Faß—and Behälterpumpen, Lutz Pumpen Gubitt & Co., cover and pp. 9-15, (publication date unknown).

* cited by examiner

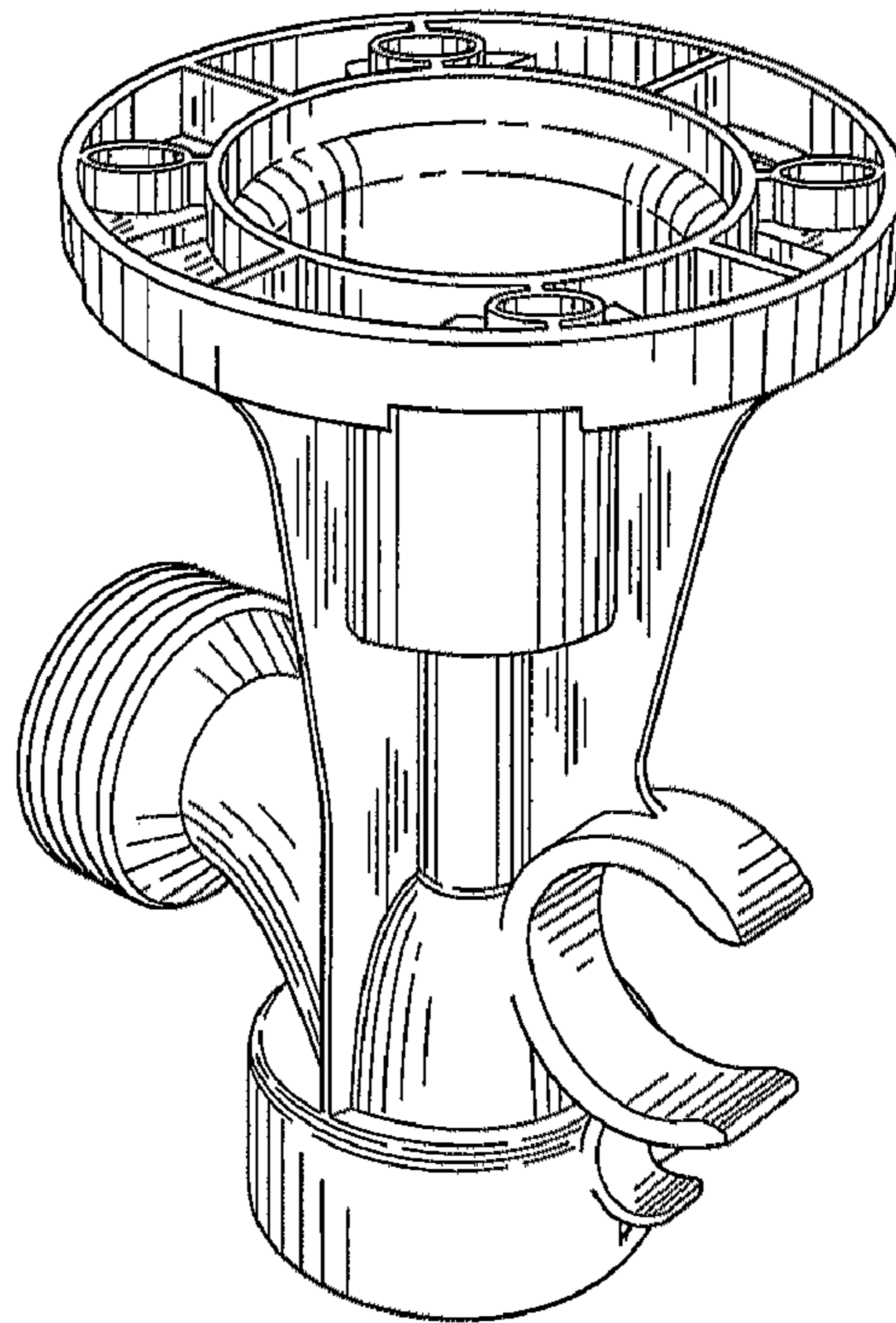


Fig. 1

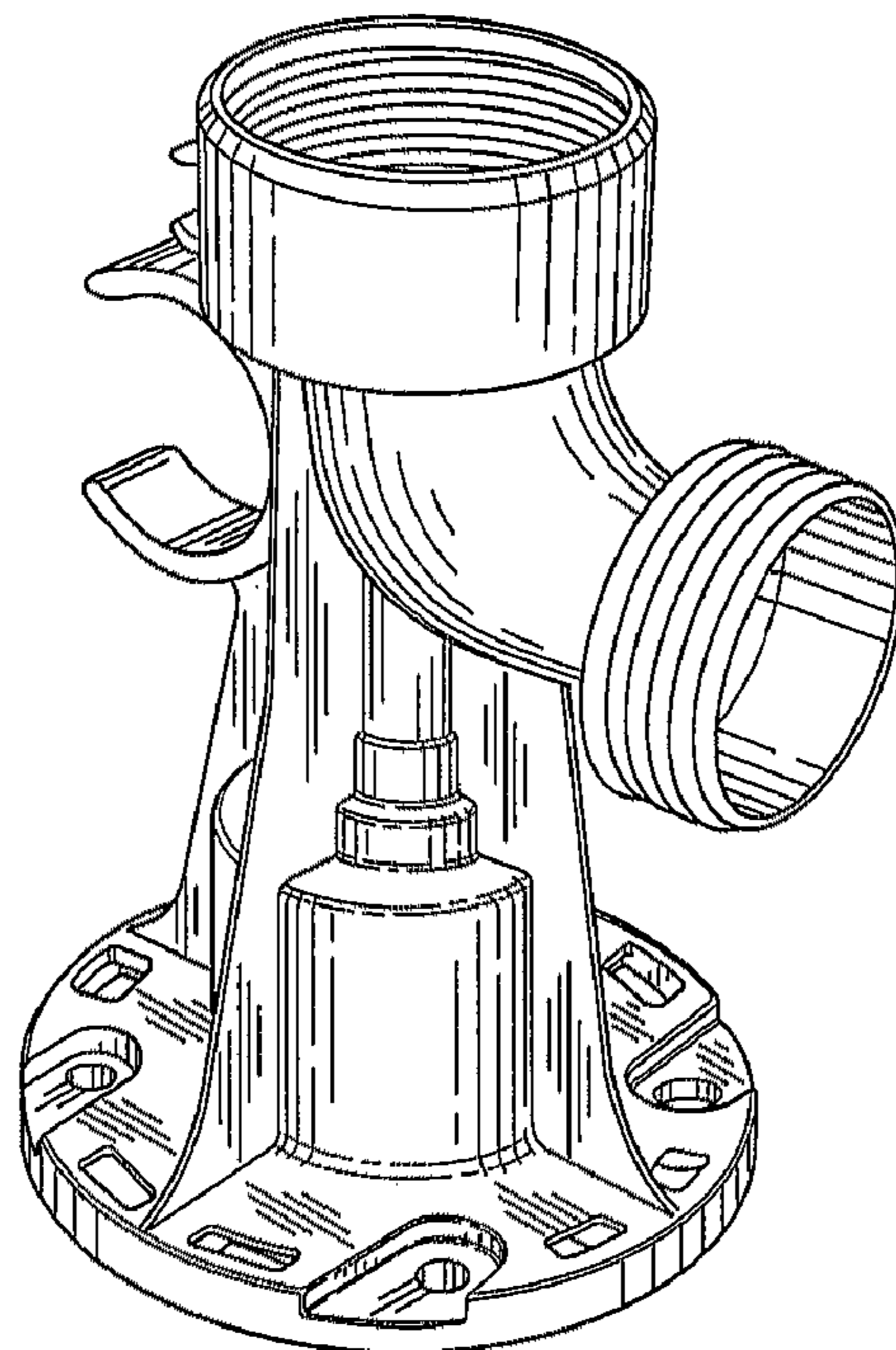


Fig. 2

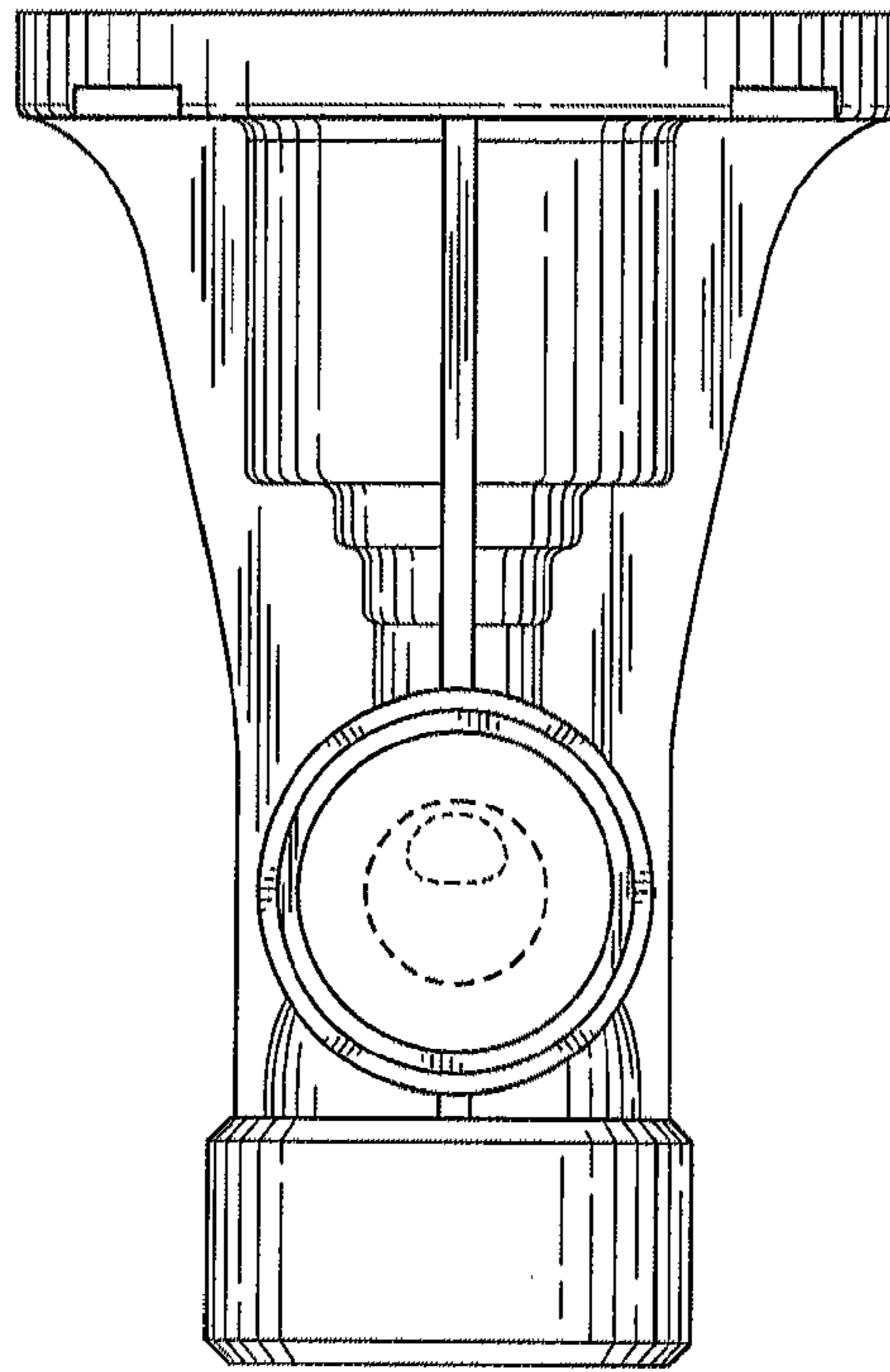


Fig.3

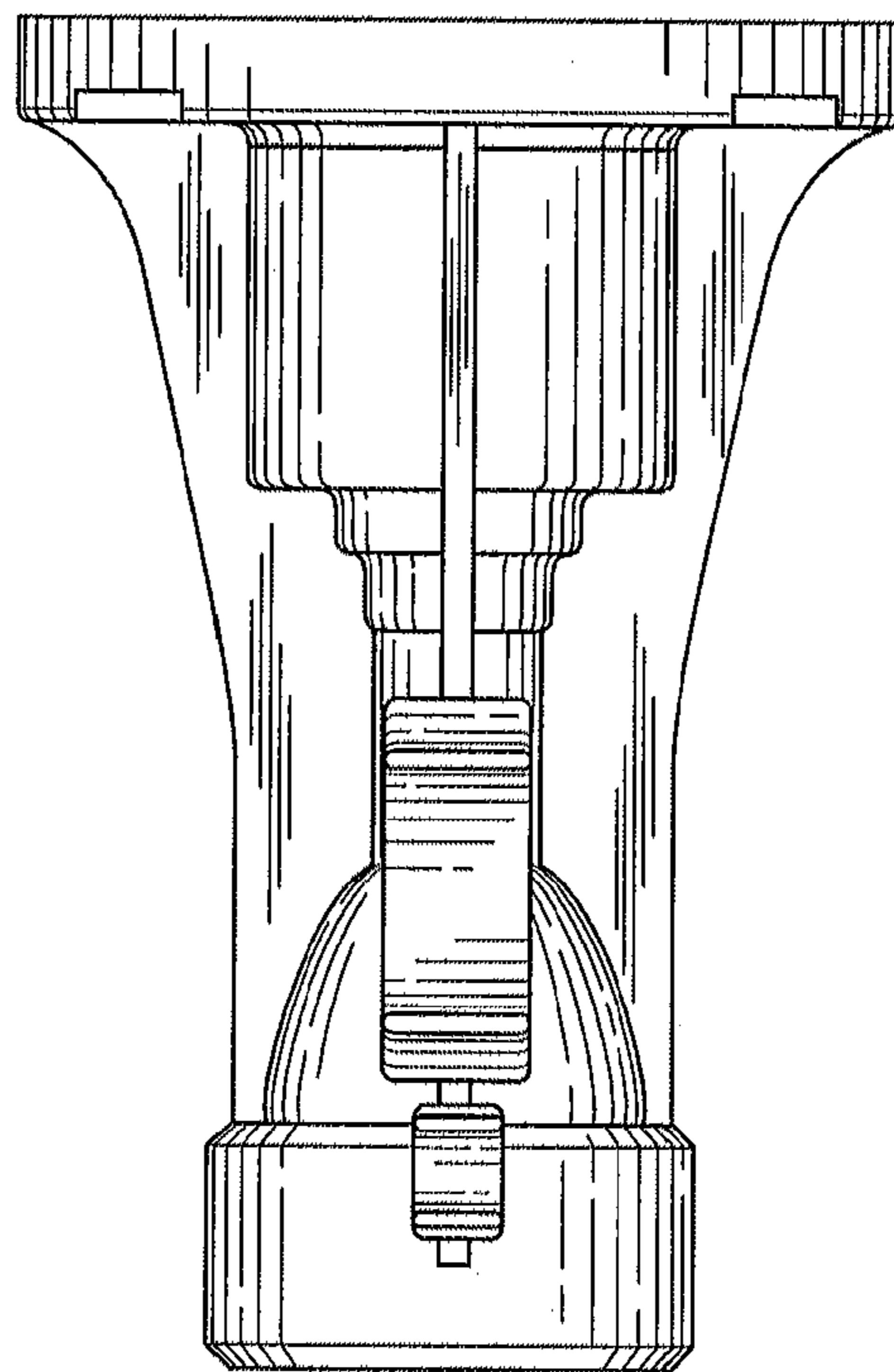


Fig.4

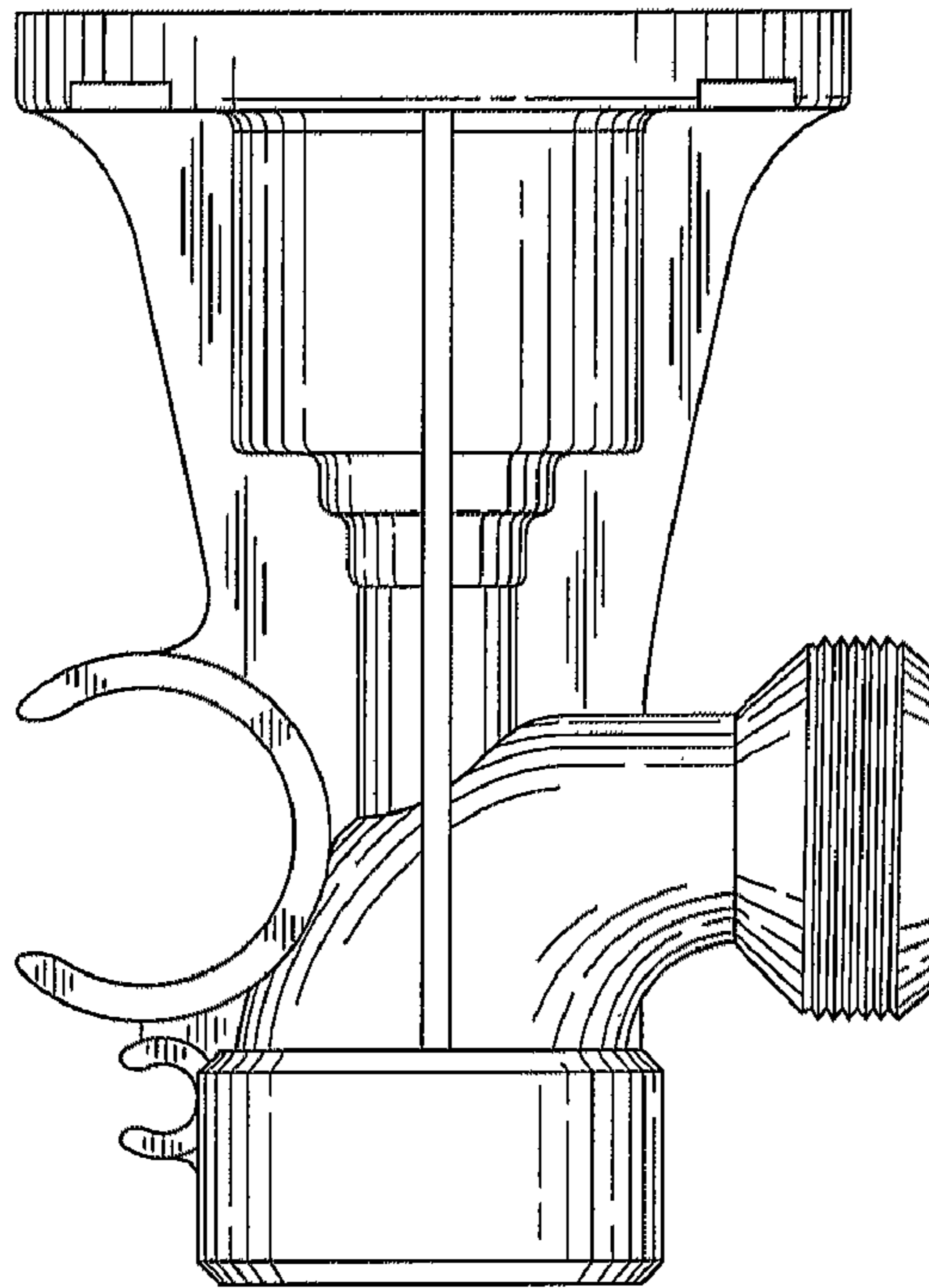


Fig.5

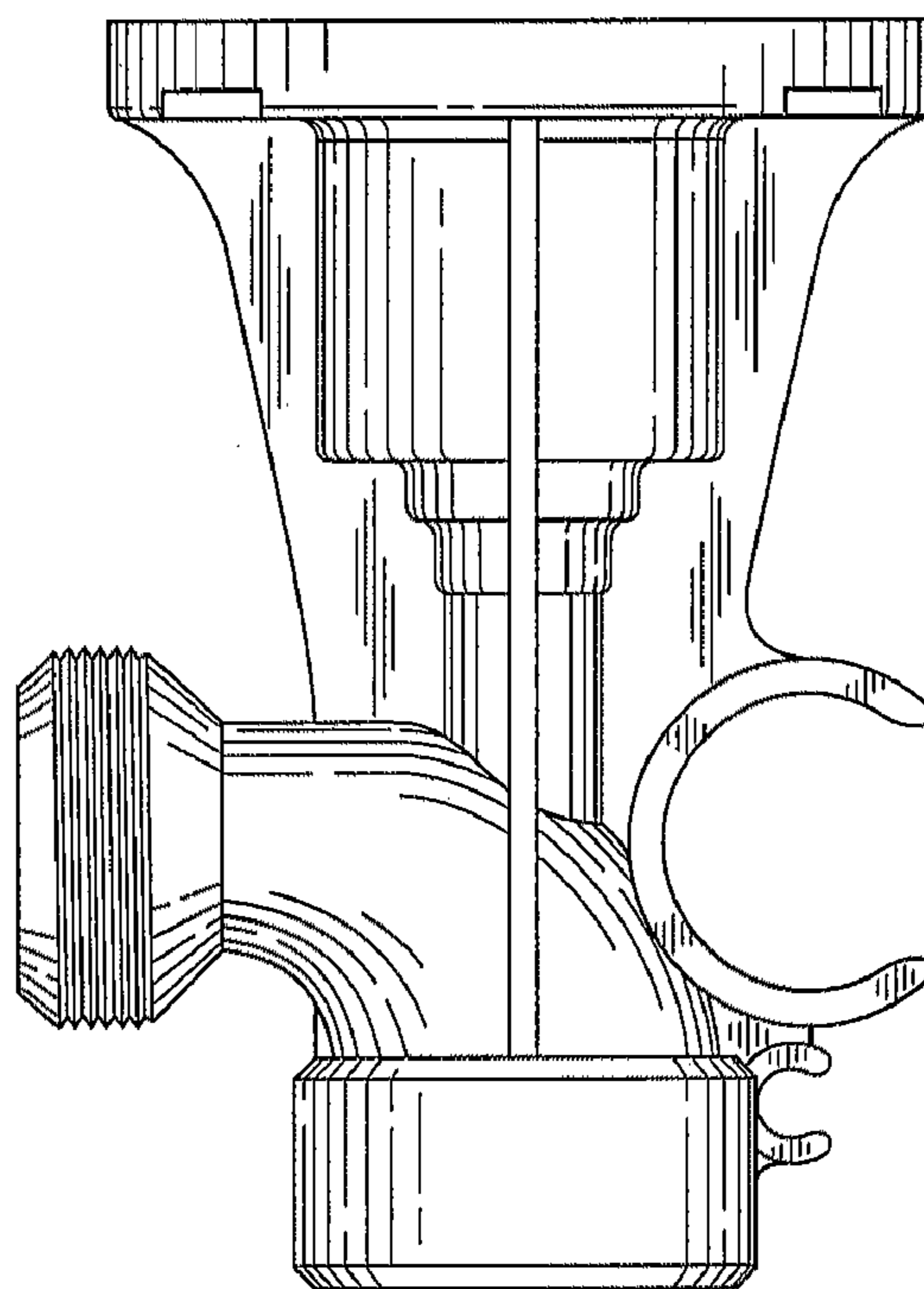


Fig.6

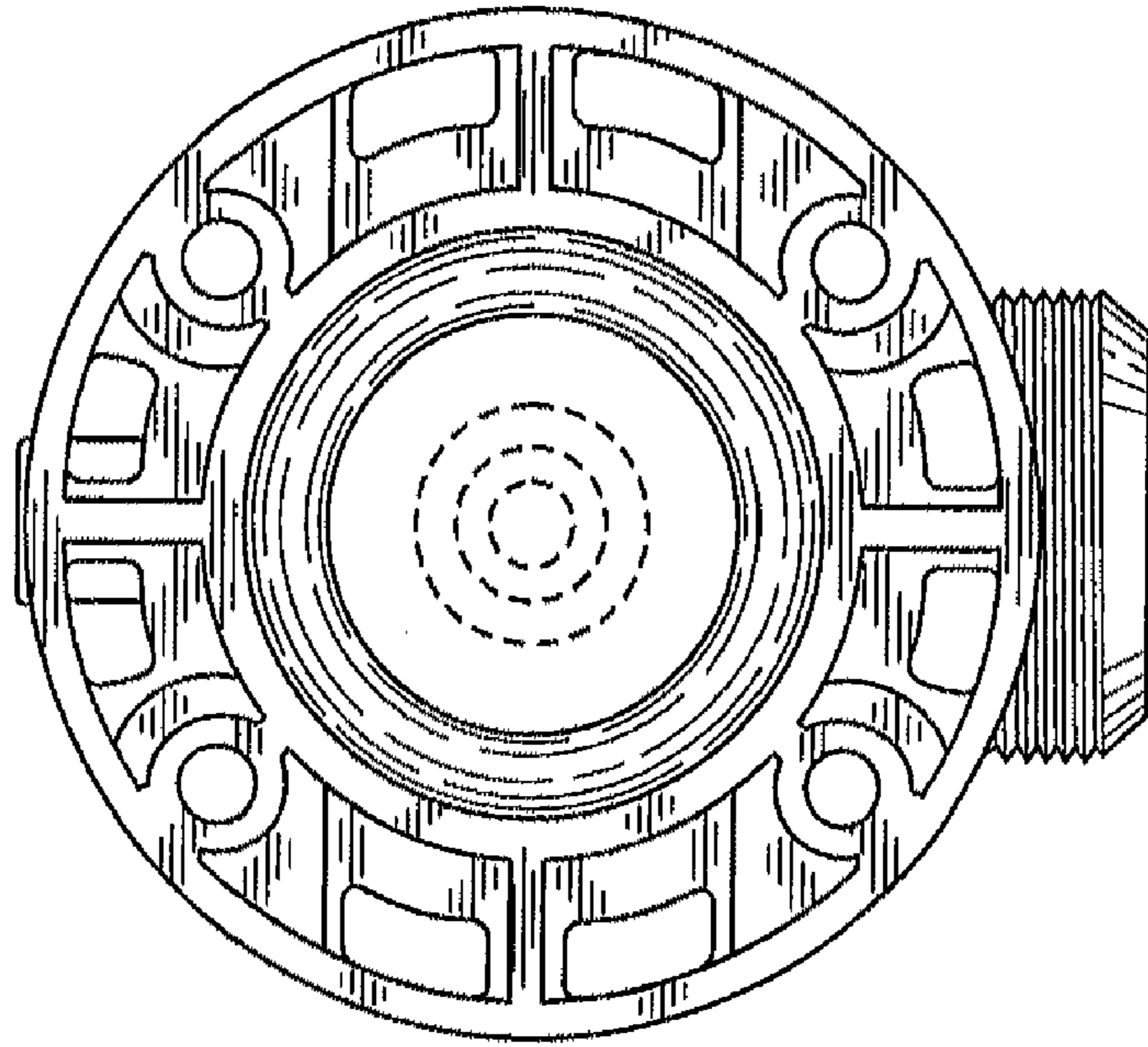


Fig. 7

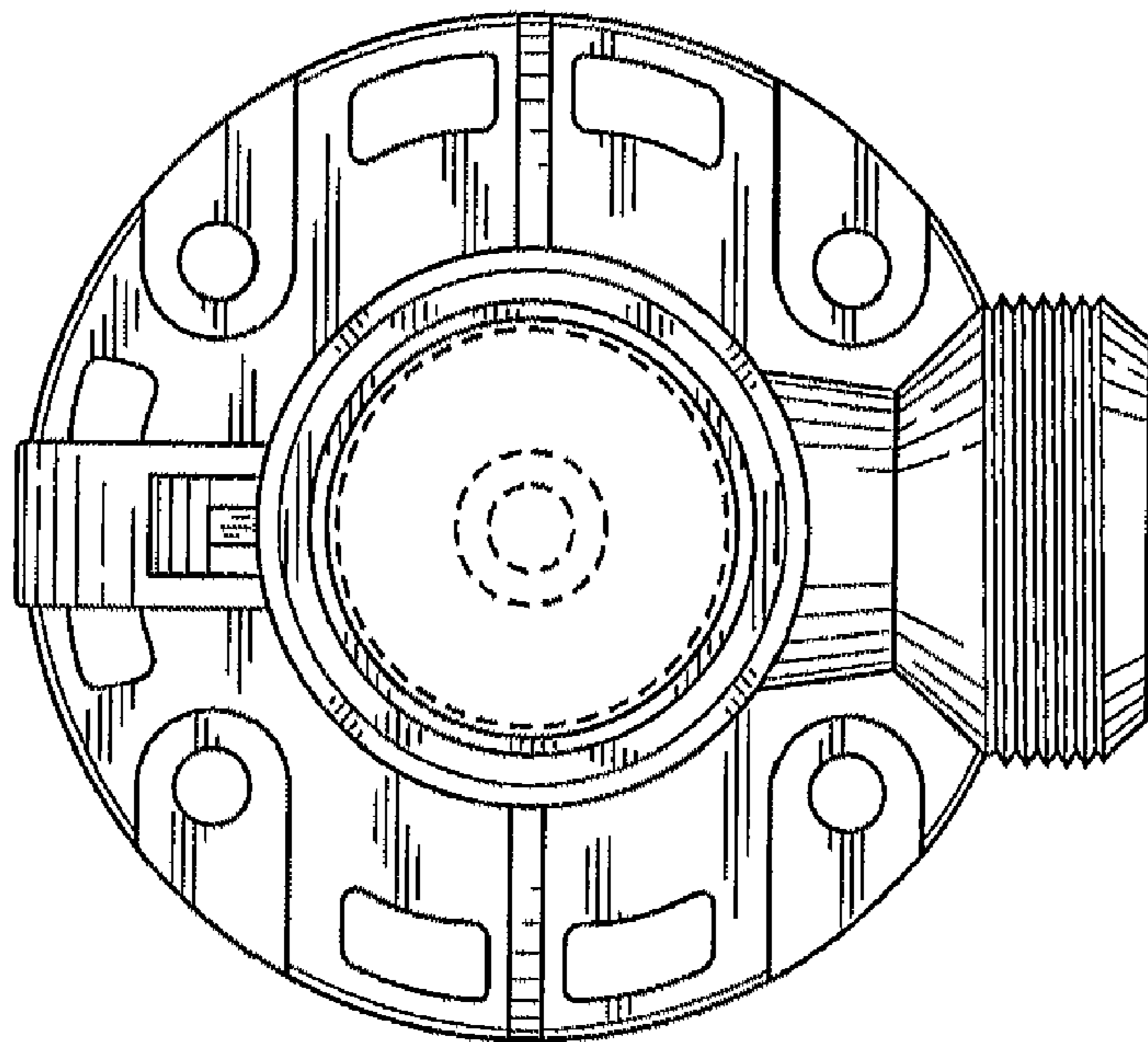


Fig. 8