



US00D658272S

(12) **United States Design Patent**  
**McClure**

(10) **Patent No.:** **US D658,272 S**

(45) **Date of Patent:** **\*\* Apr. 24, 2012**

(54) **DISHWASHER SINK TOP AIR-GAP CAP**

(76) Inventor: **Nicholas Alexander McClure**,  
Atascadero, CA (US)

(\*\*) Term: **14 Years**

(21) Appl. No.: **29/386,246**

(22) Filed: **Feb. 25, 2011**

(51) **LOC (9) Cl.** ..... **23-01**

(52) **U.S. Cl.** ..... **D23/255**

(58) **Field of Classification Search** ..... D23/255,  
D23/238, 241-242; 4/675-678; 137/801  
See application file for complete search history.

(56) **References Cited**

U.S. PATENT DOCUMENTS

3,512,545	A	5/1970	Weaver	
3,929,149	A	12/1975	Phillips	
4,399,832	A	8/1983	Appleby	
4,646,775	A	3/1987	Traylor	
4,856,121	A	8/1989	Traylor	
4,967,784	A	11/1990	Barhydt, Sr. et al.	
D319,685	S *	9/1991	Kohler et al.	D23/255
D326,504	S *	5/1992	Robbins	D23/255
5,305,778	A	4/1994	Traylor	
5,713,385	A	2/1998	Traylor	
5,721,411	A	2/1998	Ervin	

5,875,809	A	3/1999	Barrom	
6,453,931	B1	9/2002	Traylor	
6,510,836	B2	1/2003	Ismailov	
6,748,966	B1	6/2004	Dvorak	
D511,811	S *	11/2005	Lord	D23/238
6,971,400	B1	12/2005	Bowman et al.	
D526,704	S *	8/2006	Schaffeld et al.	D23/257
D550,331	S *	9/2007	Soriano	D23/255
D594,532	S *	6/2009	Schoenherr et al.	D23/238
2007/0138327	A1	6/2007	Berger et al.	

\* cited by examiner

*Primary Examiner* — Robert Delehanty

(74) *Attorney, Agent, or Firm* — William Keyworth; Bill & Mary Lou Inc.

(57) **CLAIM**

The design for a dishwasher sink top air-gap cap, as shown and described.

**DESCRIPTION**

FIG. 1 is a right side view of a dishwasher sink top air-gap cap showing an embodiment of my new design. The left side is a mirror image of the right side and therefore is not shown.

FIG. 2 is a top plan view thereof.

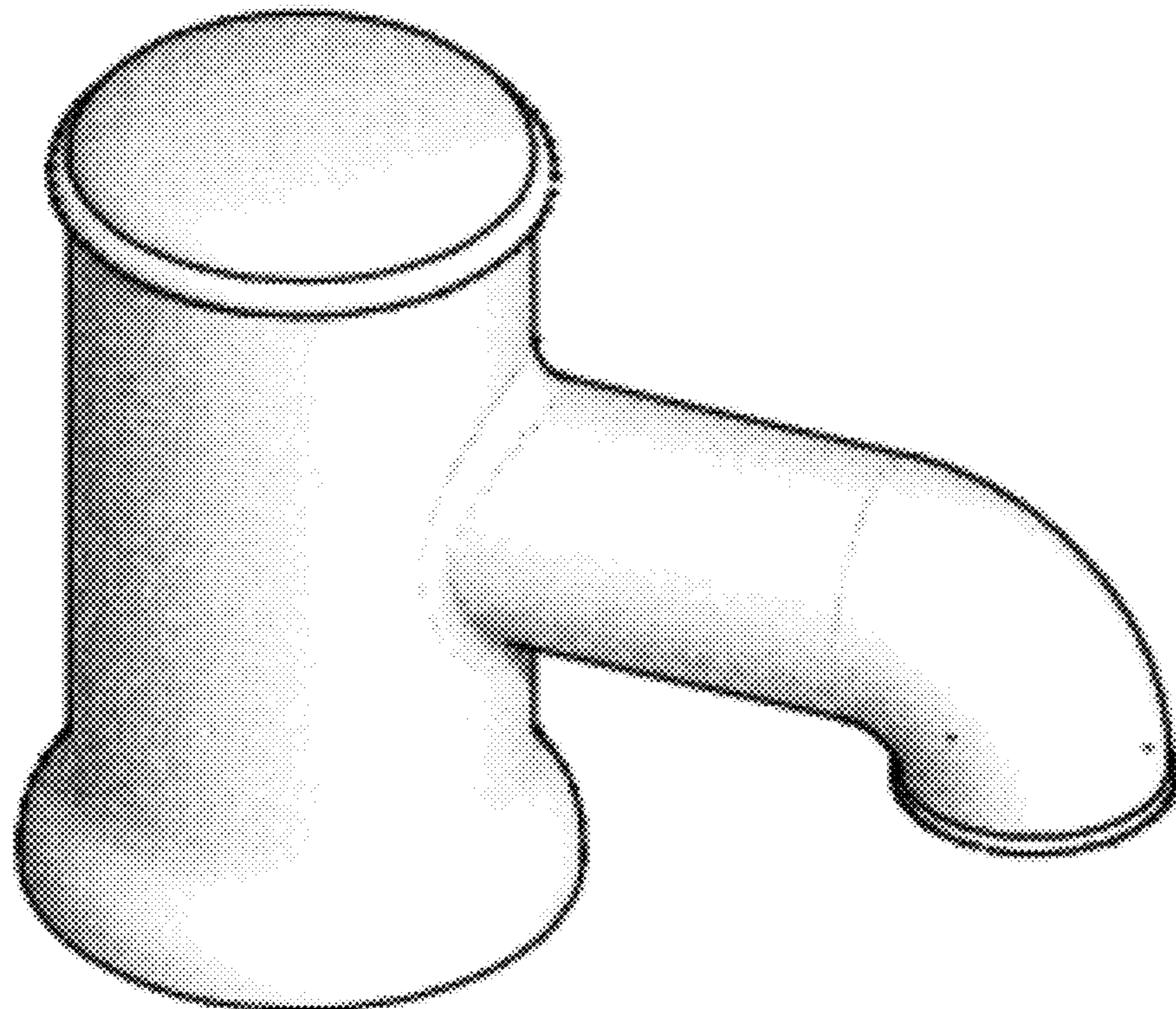
FIG. 3 is a rear view thereof.

FIG. 4 is a front view thereof.

FIG. 5 is a bottom view thereof; and,

FIG. 6 is an isometric view thereof.

**1 Claim, 1 Drawing Sheet**



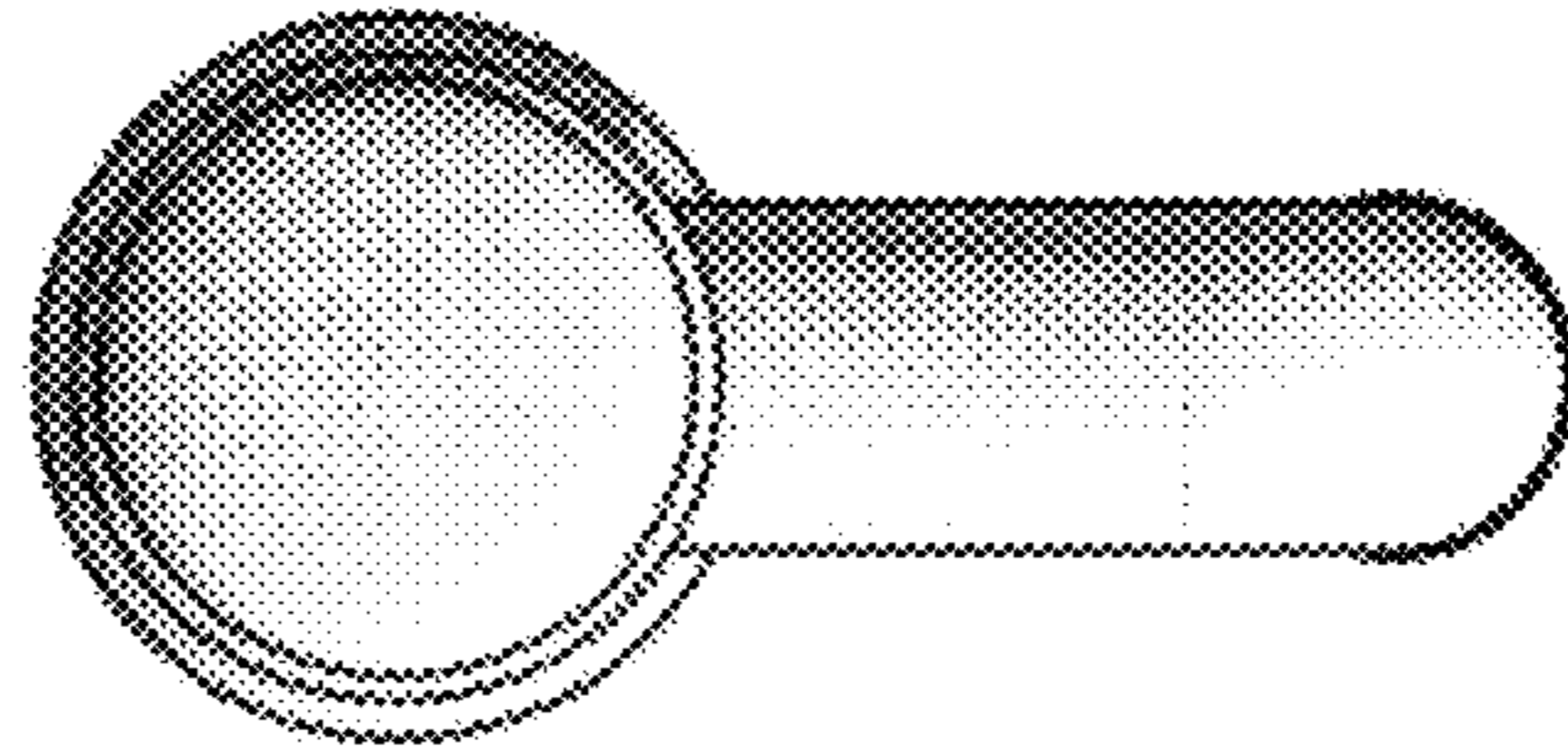


Fig. 2

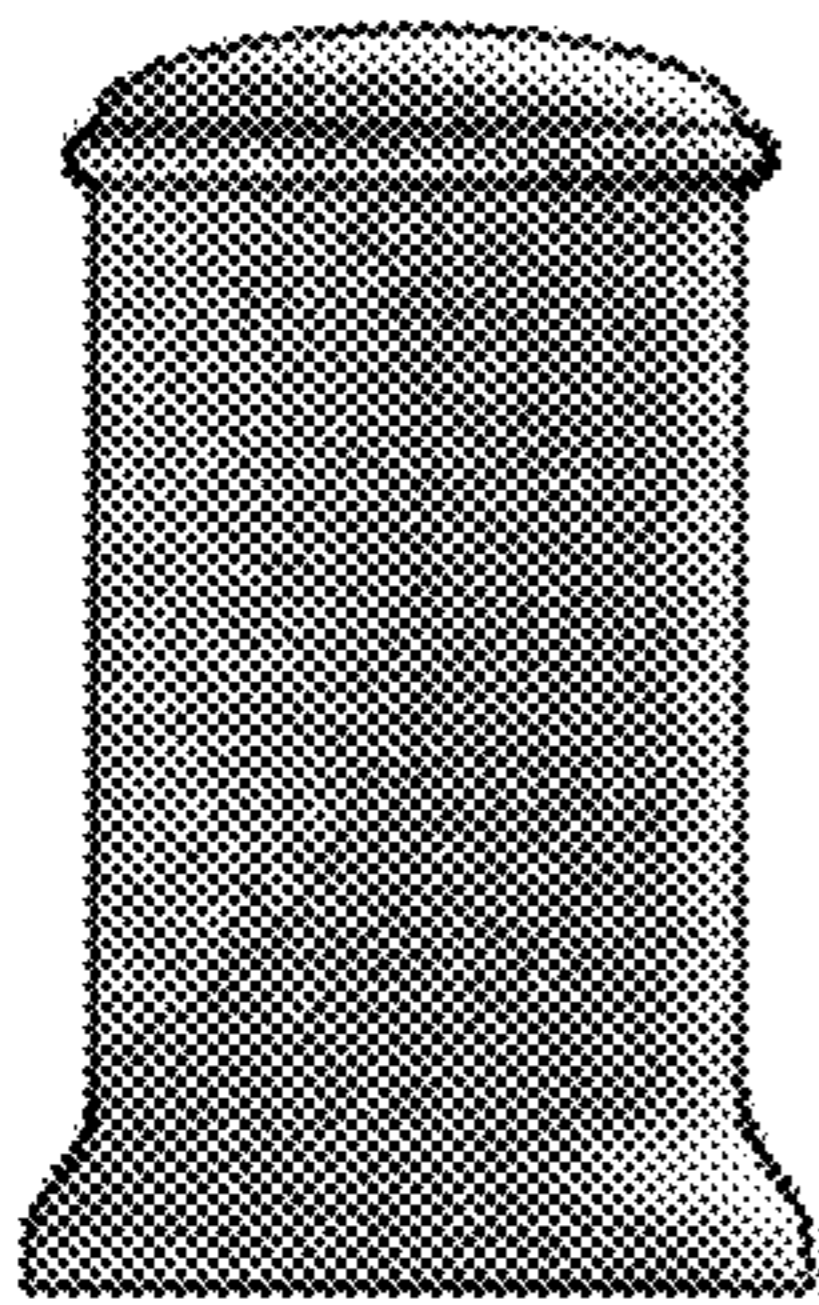


Fig. 3

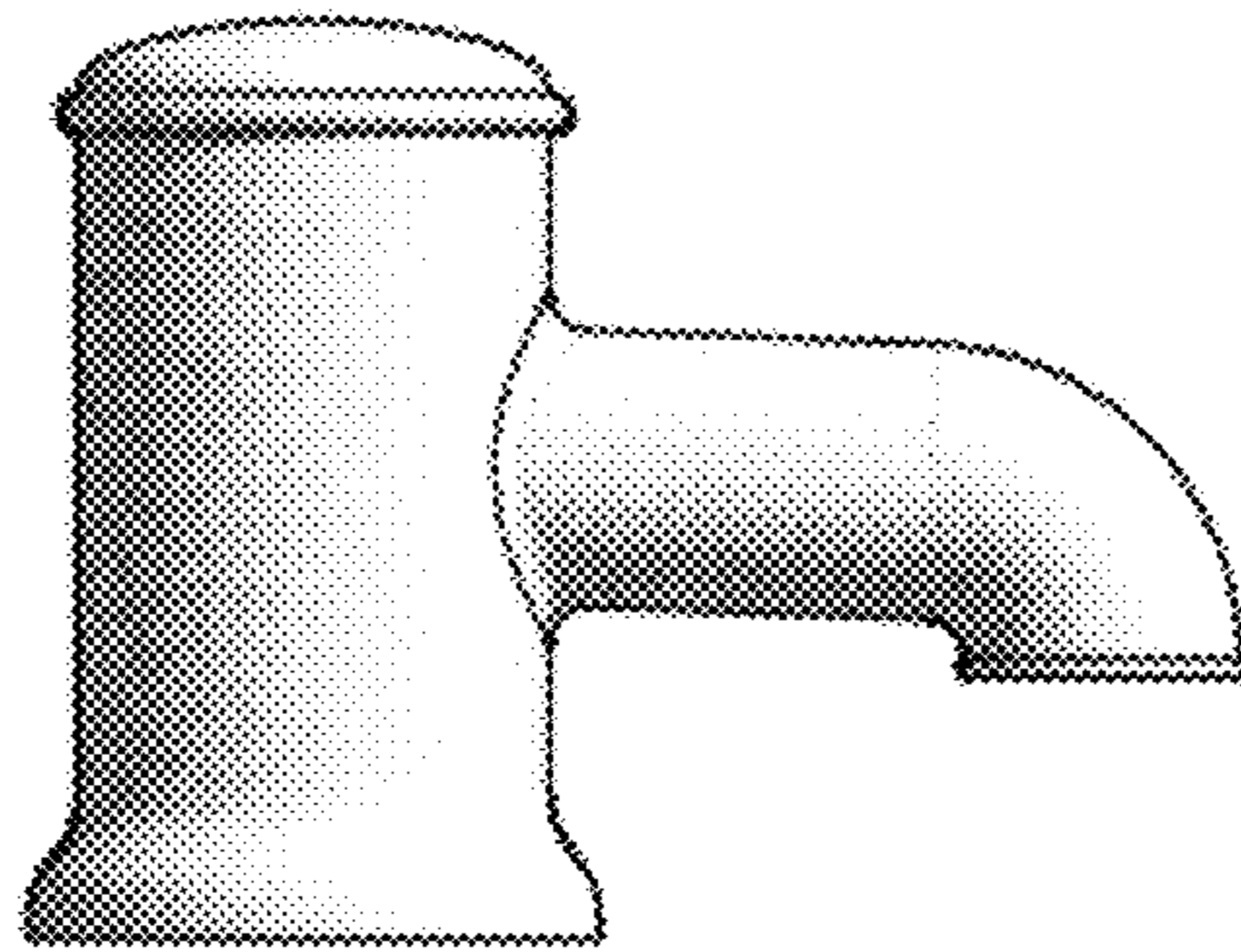


Fig. 1

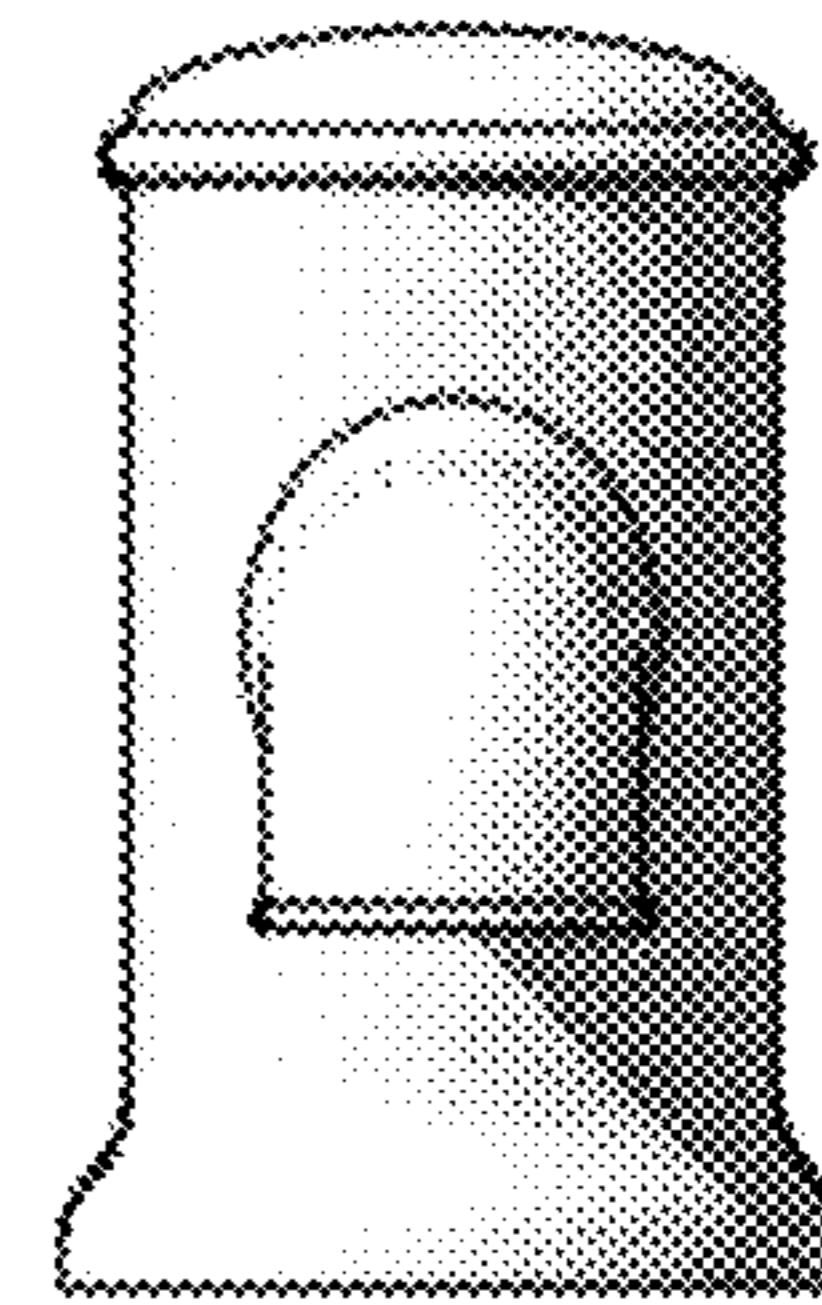


Fig. 4

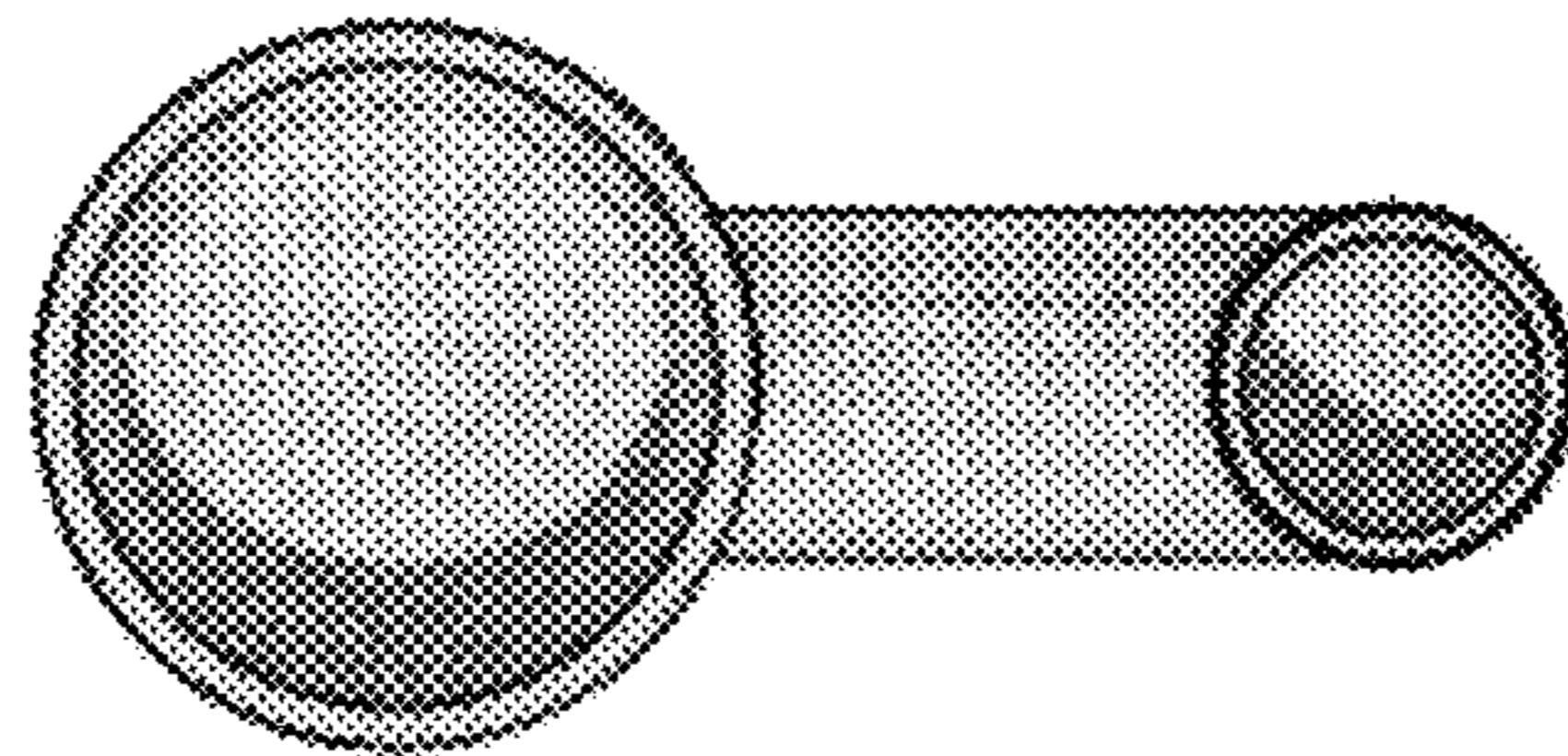


Fig. 5

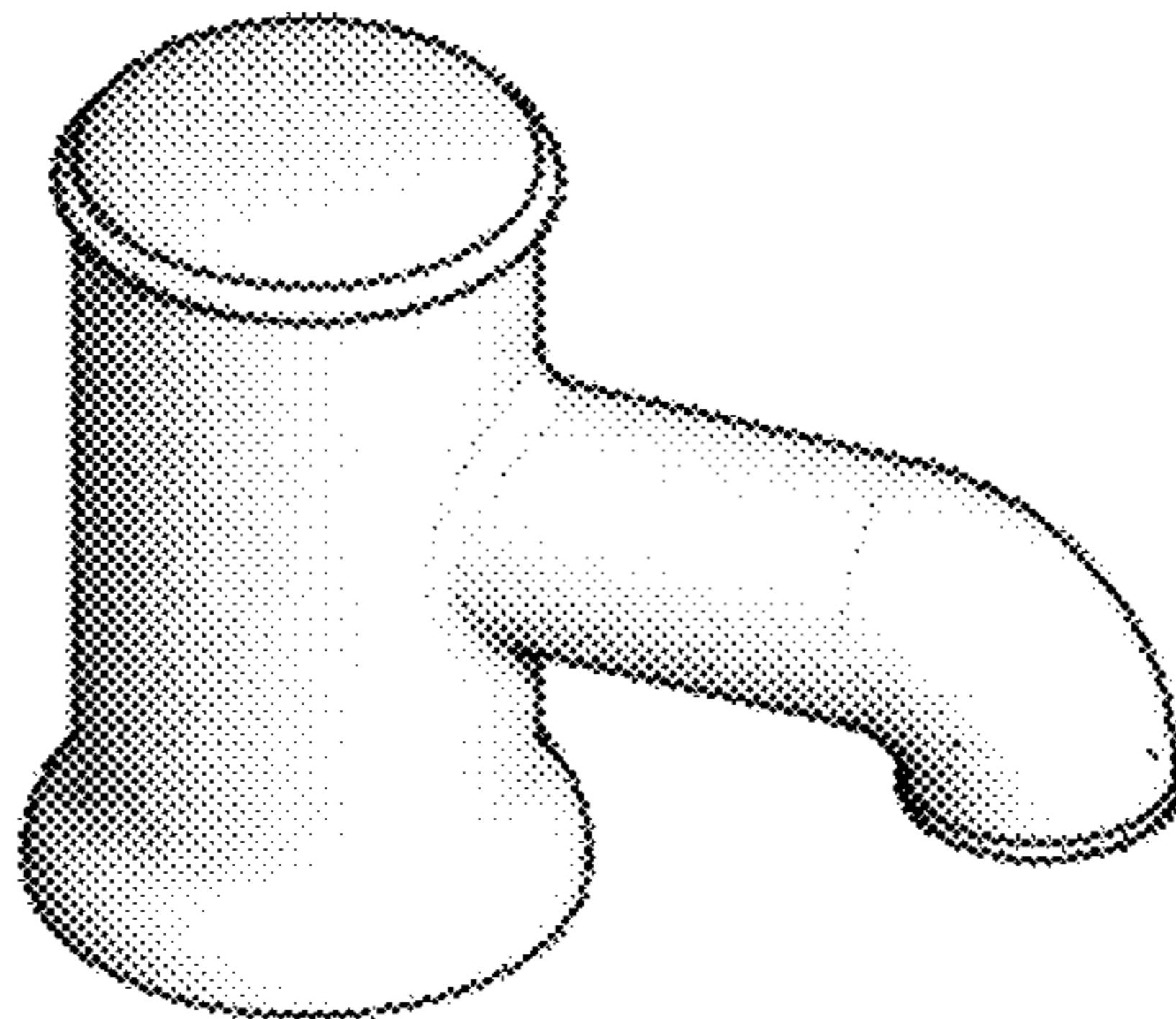


Fig. 6