



US00D658271S

(12) **United States Design Patent**
Schaefer

(10) **Patent No.:** **US D658,271 S**

(45) **Date of Patent:** **** Apr. 24, 2012**

(54) **FAUCET HANDLE**

Notice of Allowance issued in U.S. Appl. No. 29/369,871, dated Jul. 13, 2011.

(75) Inventor: **David Schaefer**, Danbury, CT (US)

* cited by examiner

(73) Assignee: **Waterworks IP Co., LLC**, Danbury, CT (US)

Primary Examiner — Robert Delehanty

(74) *Attorney, Agent, or Firm* — McDermott Will & Emery LLP

(**) Term: **14 Years**

(57) **CLAIM**

The ornamental design for a faucet handle, as shown and described.

(21) Appl. No.: **29/369,873**

(22) Filed: **Sep. 14, 2010**

DESCRIPTION

(51) **LOC (9) Cl.** **23-01**

FIG. 1 is a front perspective view of a first embodiment of a faucet handle, showing the new design;

(52) **U.S. Cl.** **D23/250**

FIG. 2 is a front view of the first embodiment of the faucet handle;

(58) **Field of Classification Search** D23/250,

FIG. 3 is a rear view of the first embodiment of the faucet handle;

D23/252–254

FIG. 4 is a side view of the first embodiment of the faucet handle;

See application file for complete search history.

FIG. 5 is another side view of the first embodiment of the faucet handle;

(56) **References Cited**

U.S. PATENT DOCUMENTS

| | | | | | |
|------------|---|---------|----------------|-------|---------|
| D433,733 S | * | 11/2000 | Lord | | D23/250 |
| D464,406 S | | 10/2002 | Gottwald | | |
| D483,440 S | * | 12/2003 | Smith | | D23/252 |
| D518,151 S | * | 3/2006 | Ito | | D23/241 |
| D520,606 S | * | 5/2006 | Hoernig | | D23/254 |
| D522,630 S | * | 6/2006 | Fritz | | D23/252 |
| D524,426 S | | 7/2006 | Sallick et al. | | |

FIG. 6 is a top view of the first embodiment of the faucet handle; and,

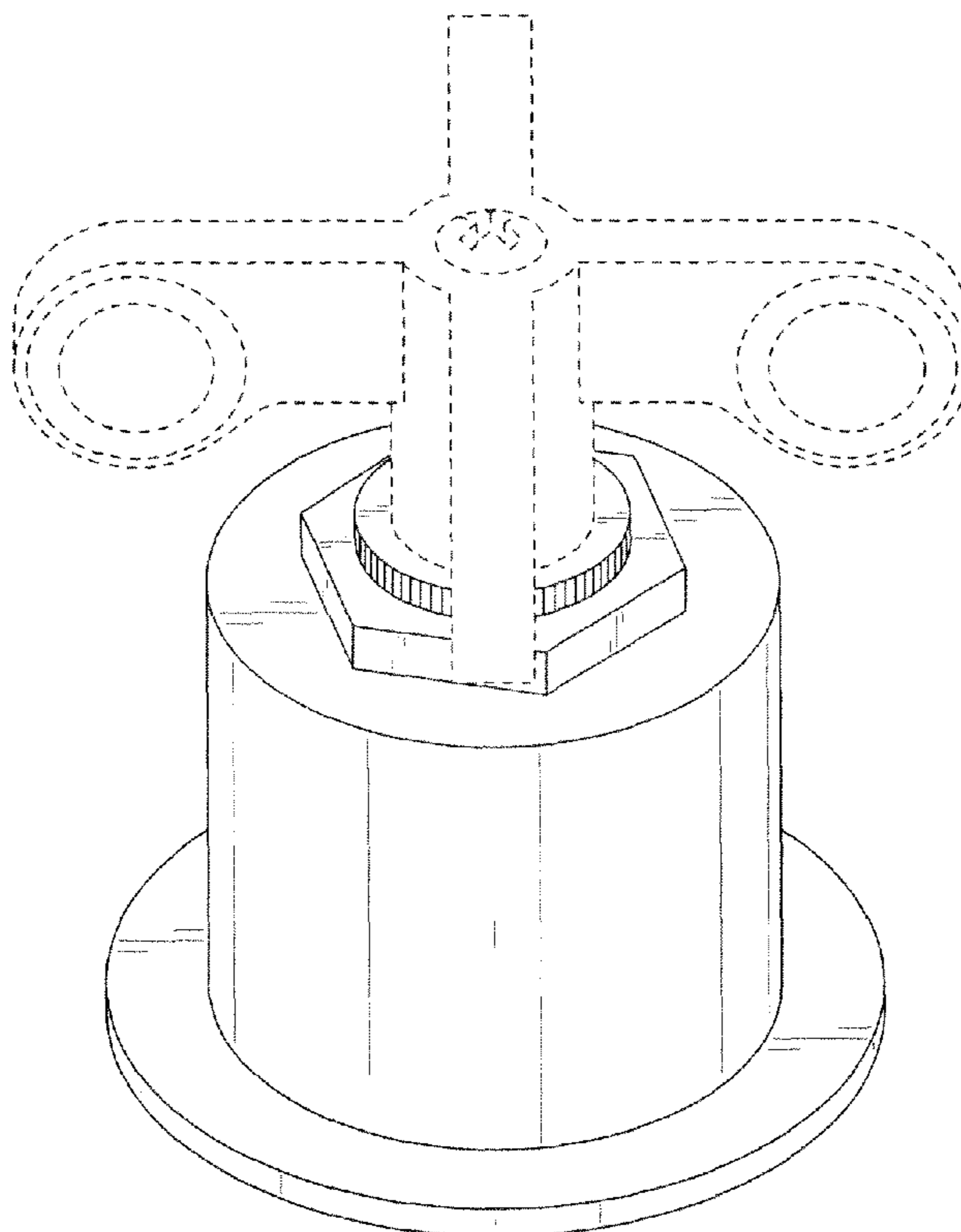
OTHER PUBLICATIONS

FIG. 7 is a bottom view of the first embodiment of the faucet handle.

The broken lines showing various elements of the faucet handle are included for the purpose of illustrating non-claimed subject matter and form no part of the claimed design.

Notice of Allowance issued in U.S. Appl. No. 29/369,871, dated Jul. 13, 2011.

1 Claim, 7 Drawing Sheets



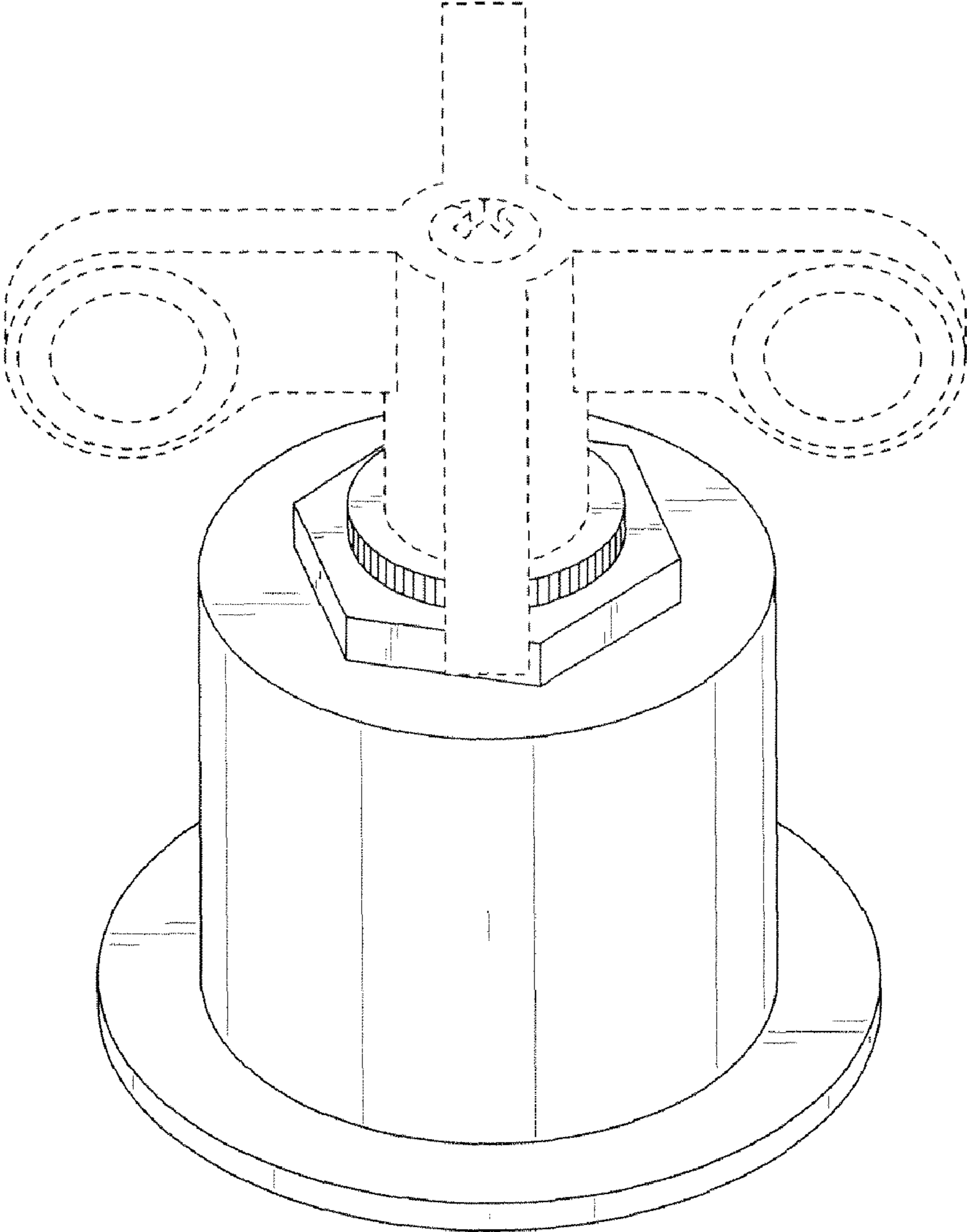


FIG. 1

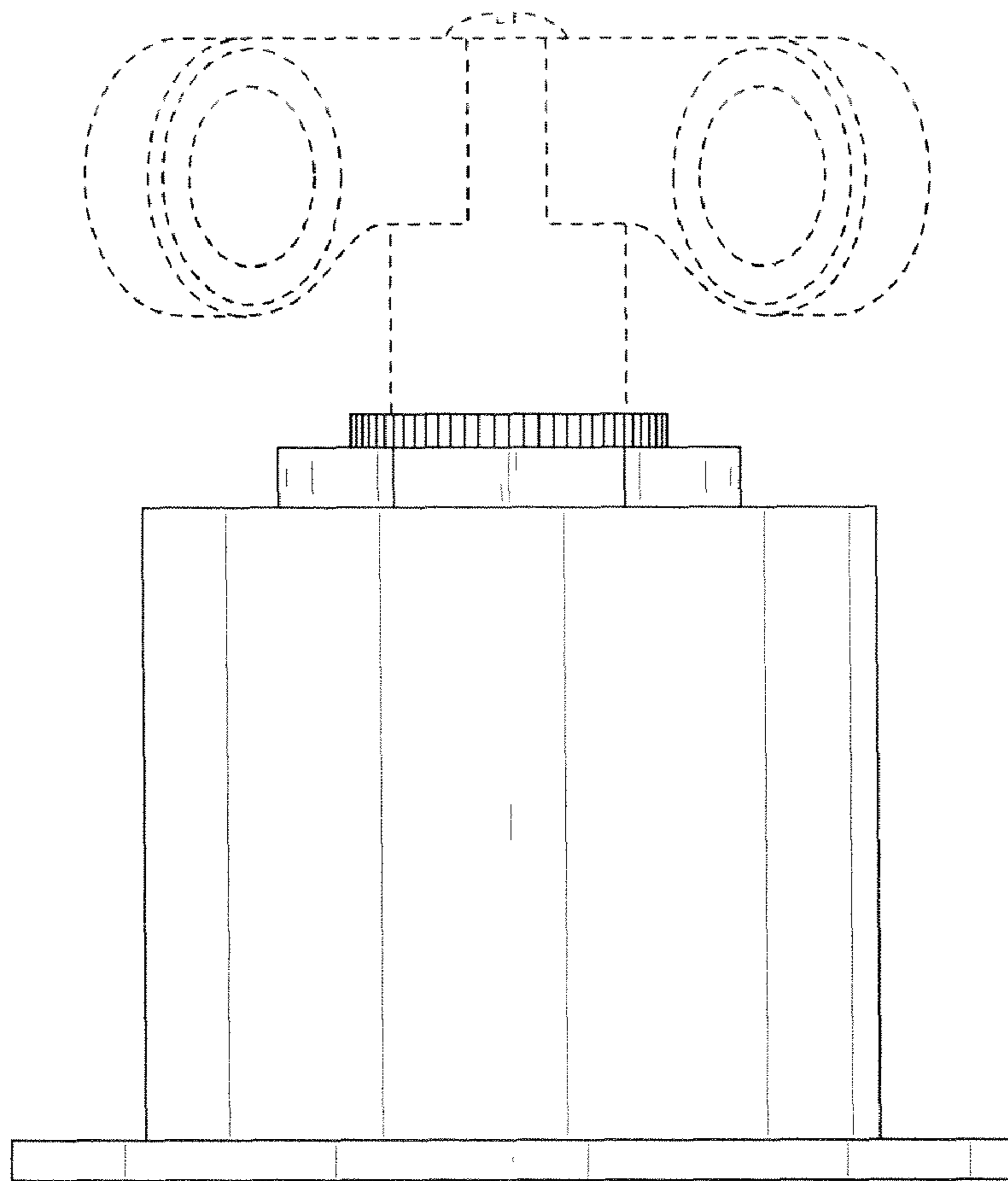


FIG. 2

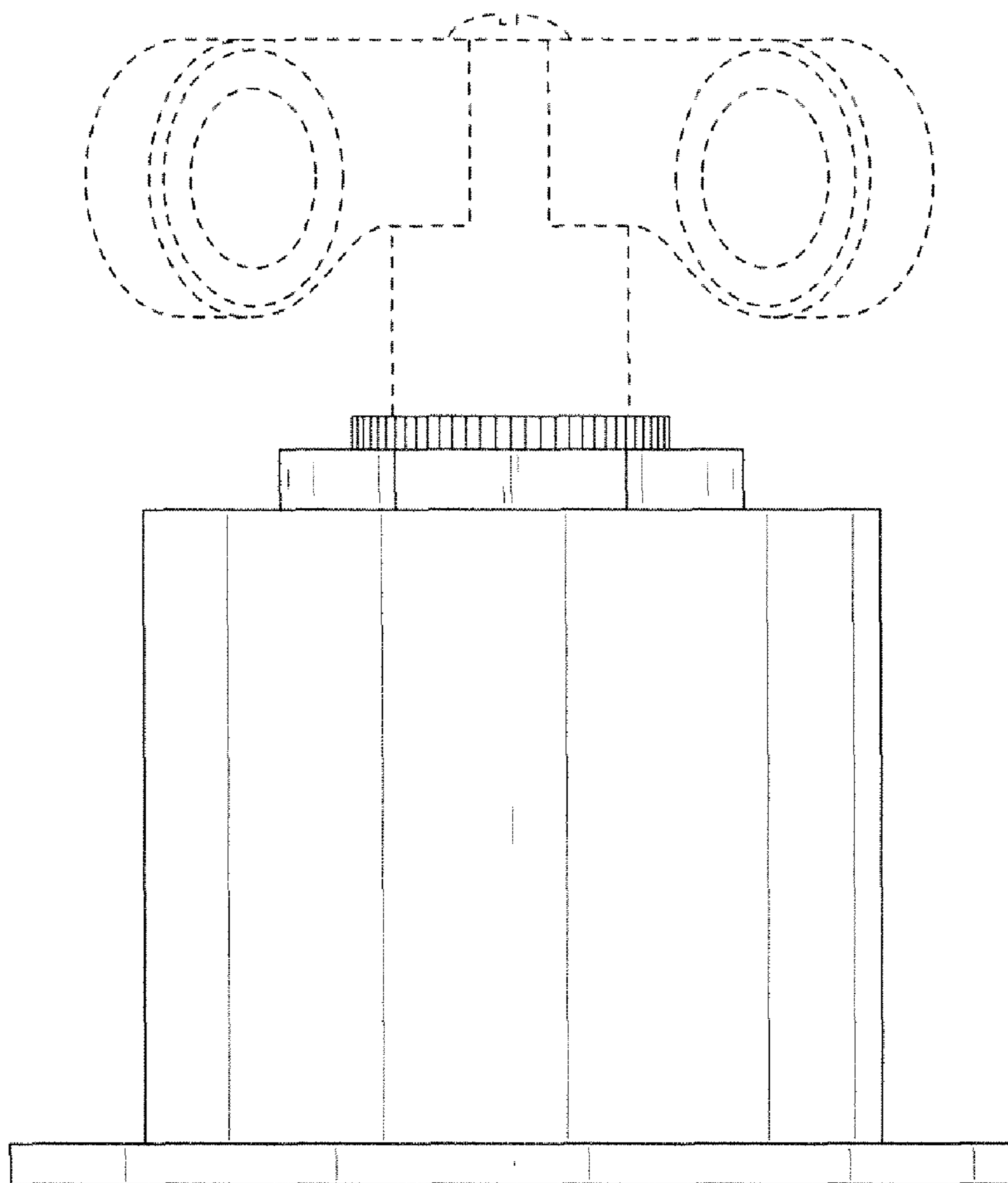


FIG. 3

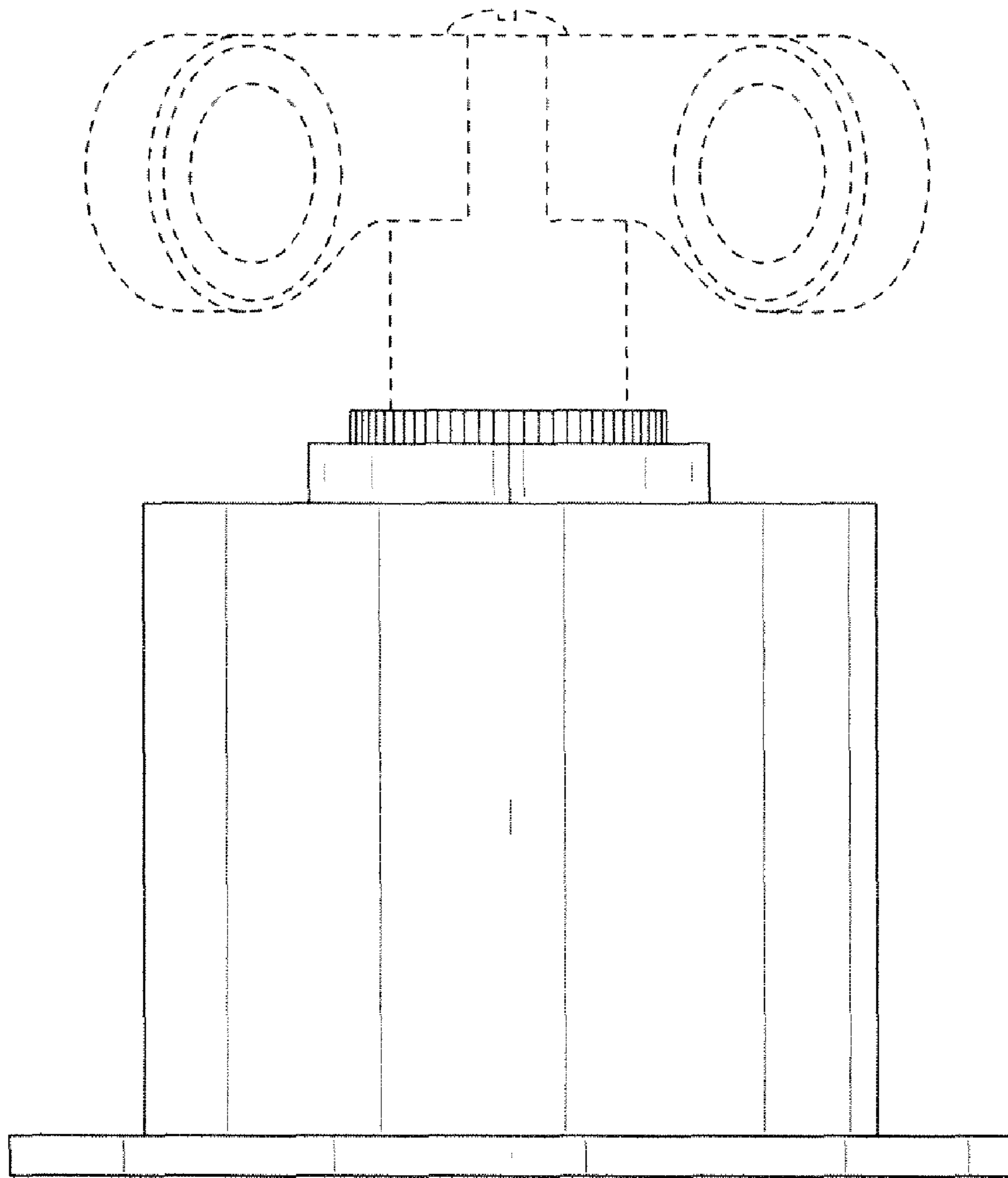


FIG. 4

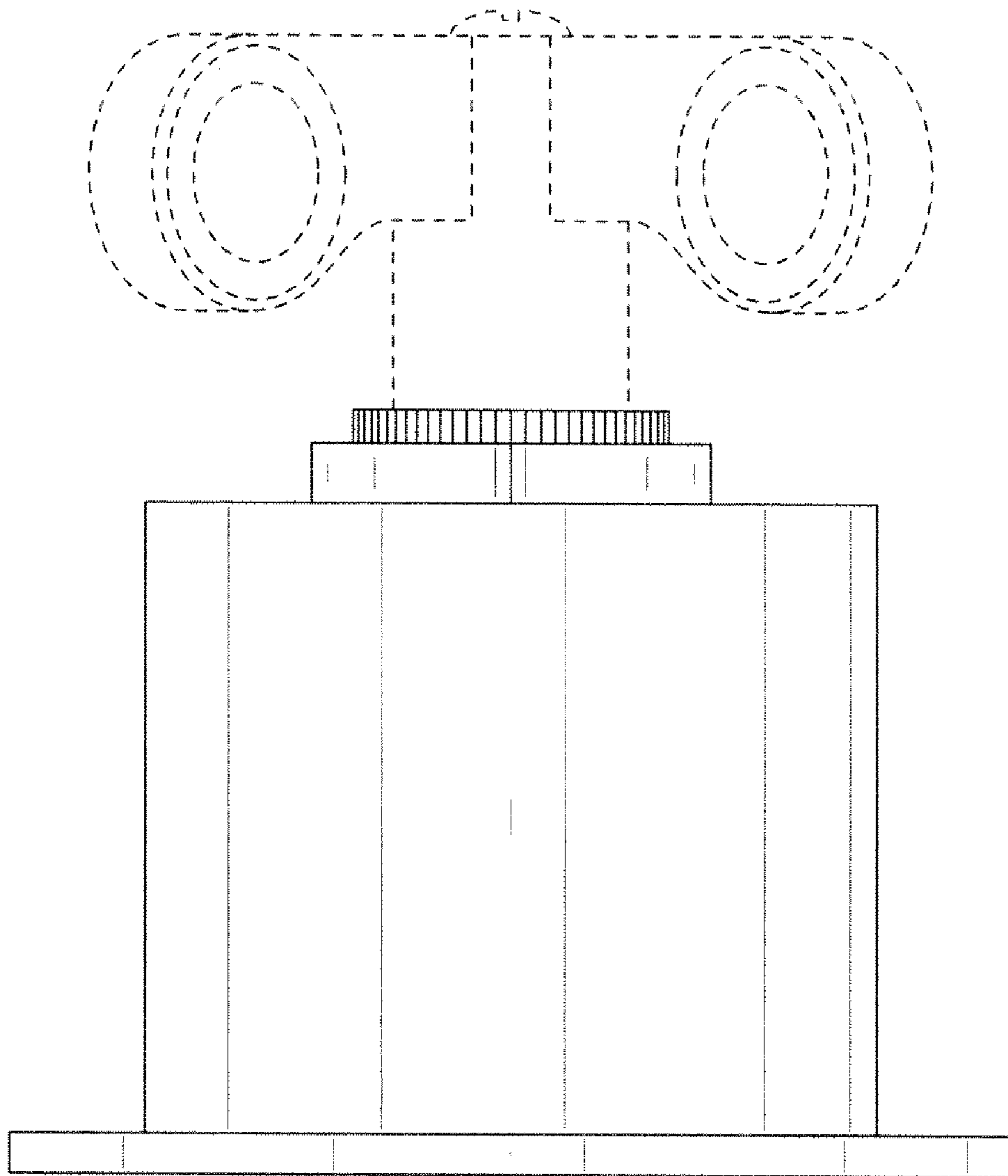


FIG. 5

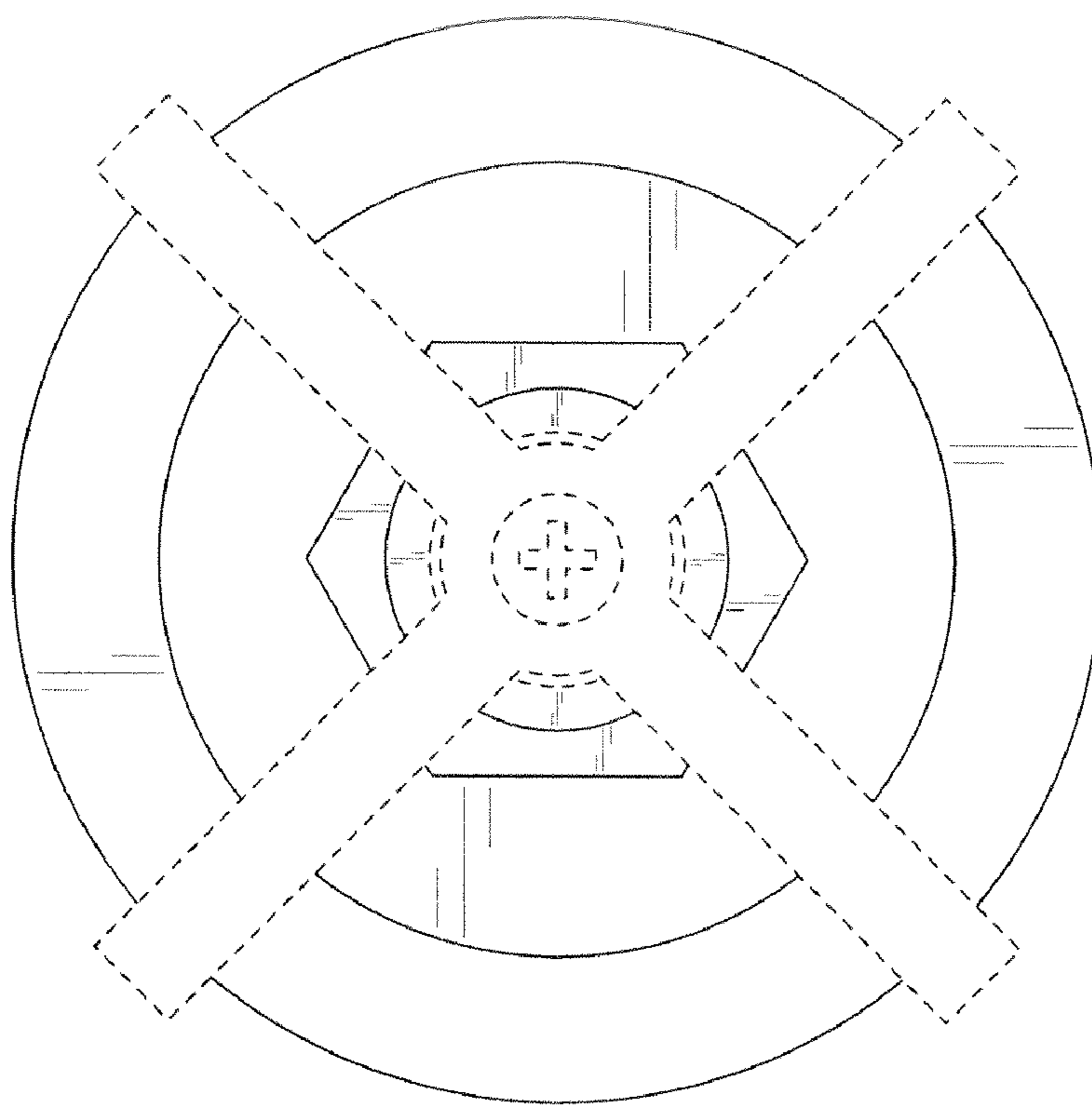


FIG. 6

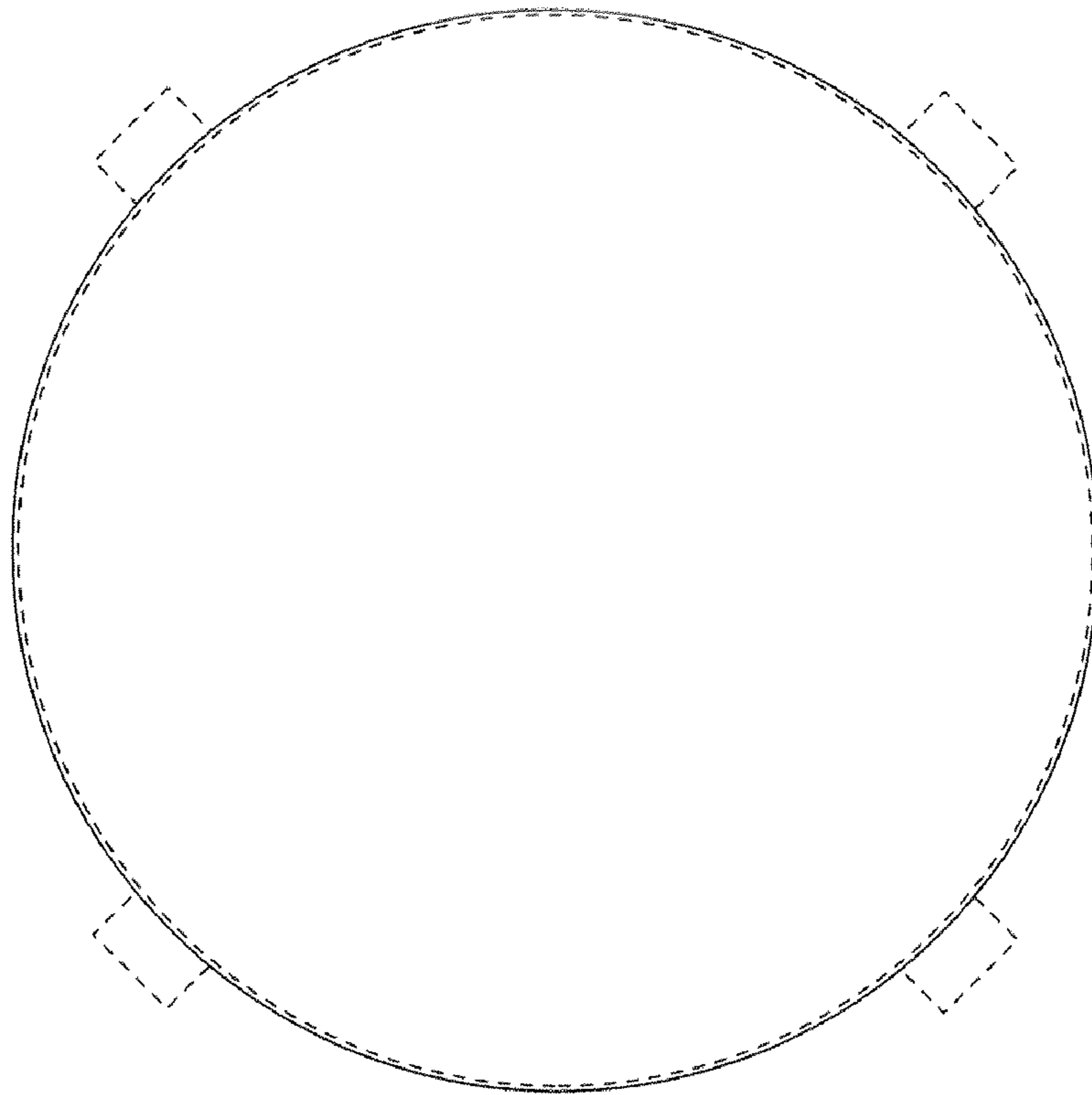


FIG. 7