



US00D658269S

(12) **United States Design Patent**
Schoenherr et al.

(10) **Patent No.:** **US D658,269 S**

(45) **Date of Patent:** **** Apr. 24, 2012**

(54) **SHOWERHEAD**

(75) Inventors: **Tom Schoenherr**, Stuttgart (DE);
Matthias Oesterle, Winterbach (DE)

(73) Assignee: **Hansgrohe AG**, Schiltach (DE)

(**) Term: **14 Years**

(21) Appl. No.: **29/398,158**

(22) Filed: **Jul. 27, 2011**

(30) **Foreign Application Priority Data**

Jan. 28, 2011 (EM) 001256952-0003

(51) **LOC (9) Cl.** **23-01**

(52) **U.S. Cl.** **D23/213**

(58) **Field of Classification Search** D23/213,
D23/229, 230; 4/615; 239/394, 462
See application file for complete search history.

(56) **References Cited**

U.S. PATENT DOCUMENTS

D604,802 S * 11/2009 Schoenherr et al. D23/213
D604,803 S 11/2009 Schoenherr et al.
D607,970 S 1/2010 Schoenherr et al.

D612,008 S 3/2010 Schoenherr et al.
D612,010 S * 3/2010 Schoenherr et al. D23/213
D639,384 S * 6/2011 Flowers et al. D23/213
D639,385 S * 6/2011 Flowers et al. D23/213

* cited by examiner

Primary Examiner — Robin V Webster

(74) *Attorney, Agent, or Firm* — Niray D. Parikh; Lora J. Graentzdoerffer; Edgar A. Earins

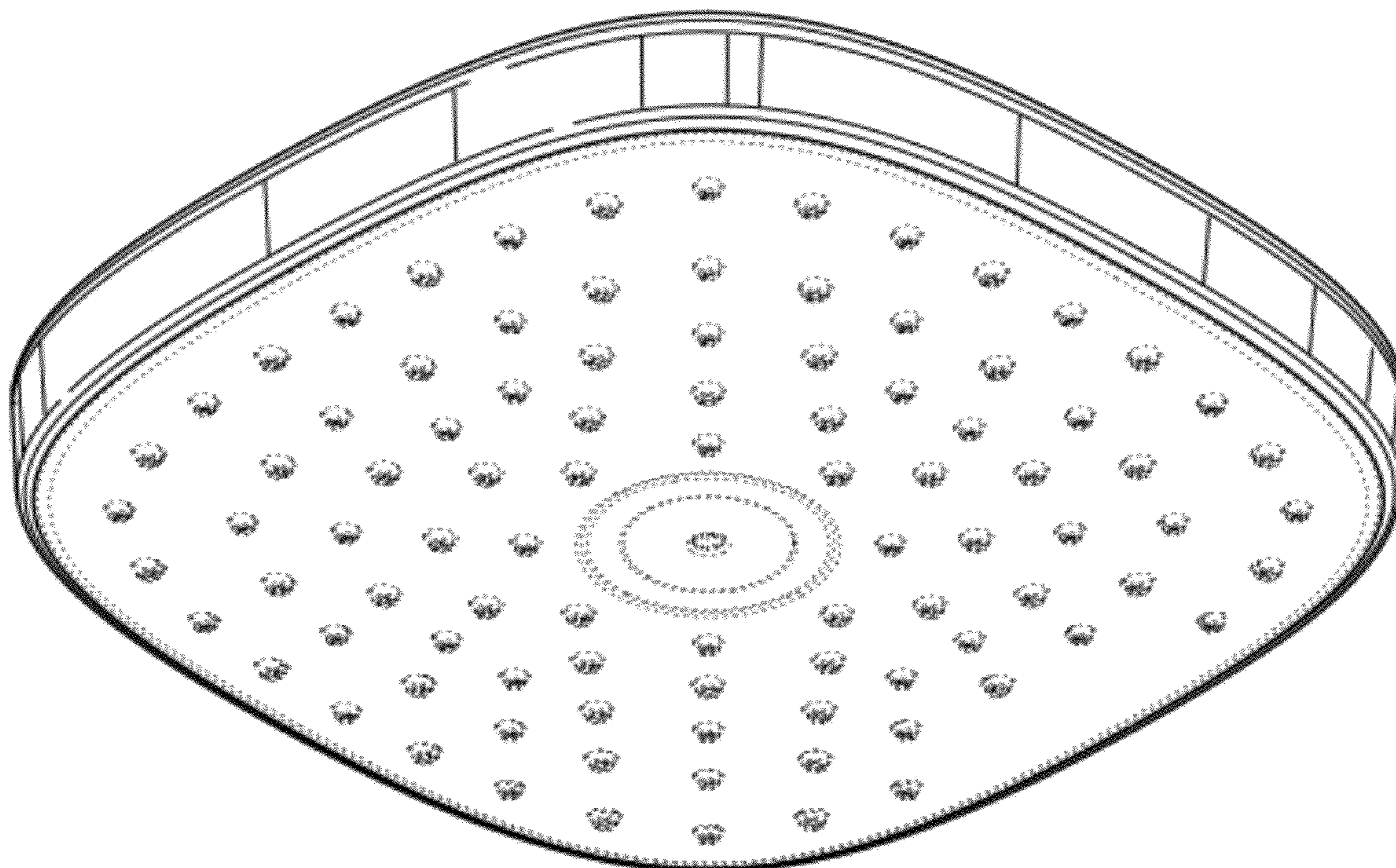
(57) **CLAIM**

The ornamental design for a showerhead, as shown and described.

DESCRIPTION

FIG. 1 is a perspective view of a showerhead showing our design;
FIG. 2 is a front elevational view thereof;
FIG. 3 is a rear elevational view thereof;
FIG. 4 is a left side elevational view thereof; the right side elevational view being a mirror image thereof;
FIG. 5 is a top plan view thereof; and,
FIG. 6 is a bottom plan view thereof.
The broken lines in the drawings represent unclaimed portions of the design and form no part of the claimed design.

1 Claim, 6 Drawing Sheets



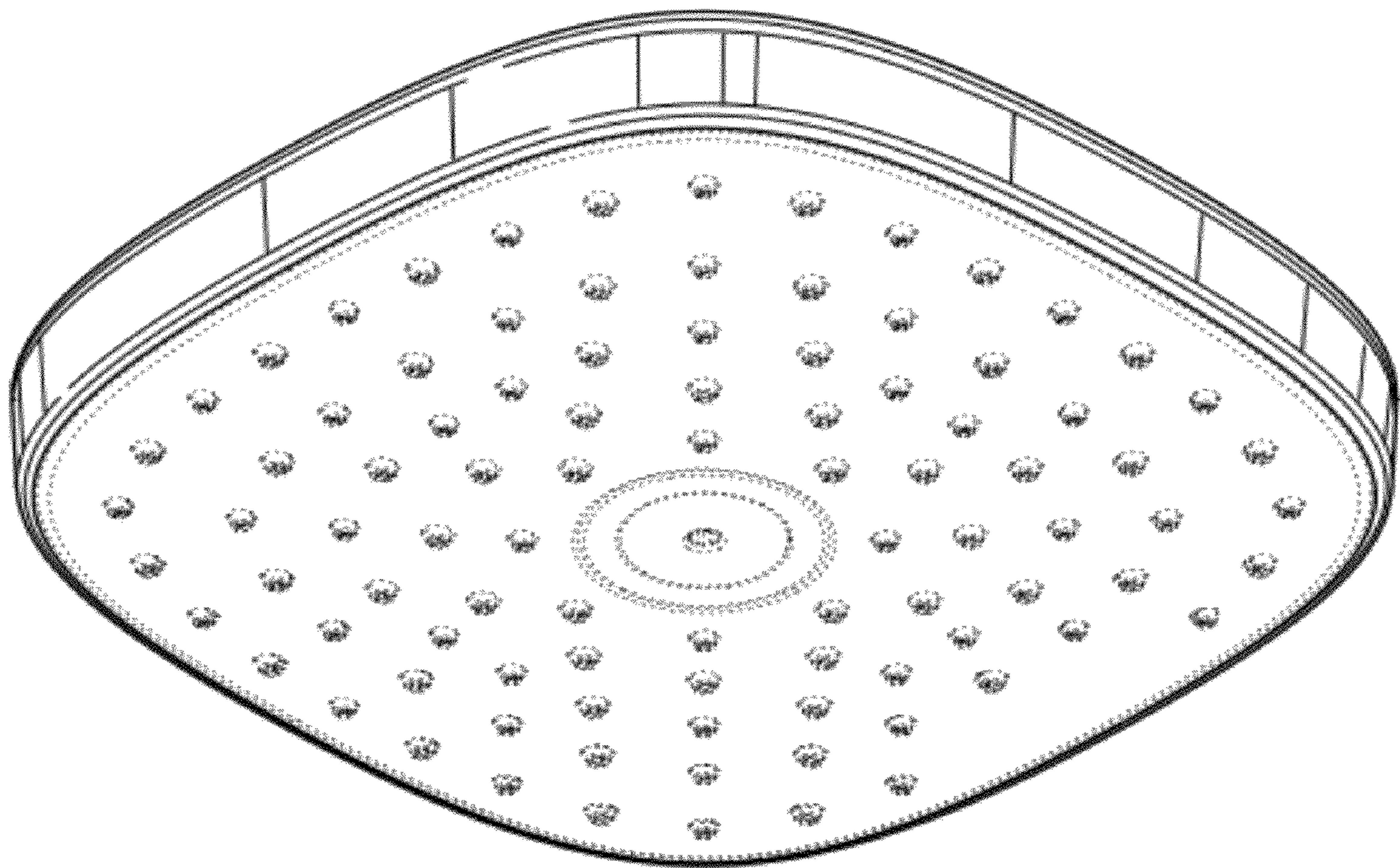


FIG. 1

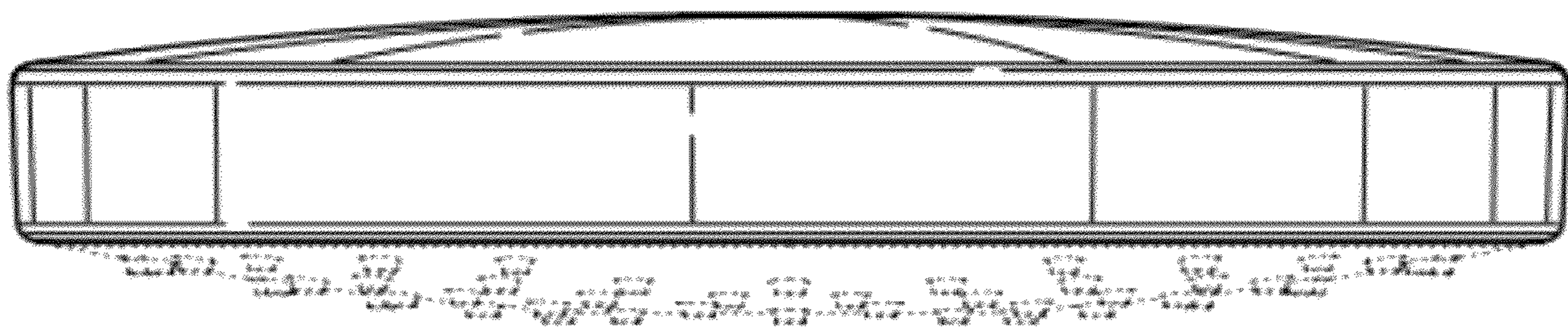


FIG. 2

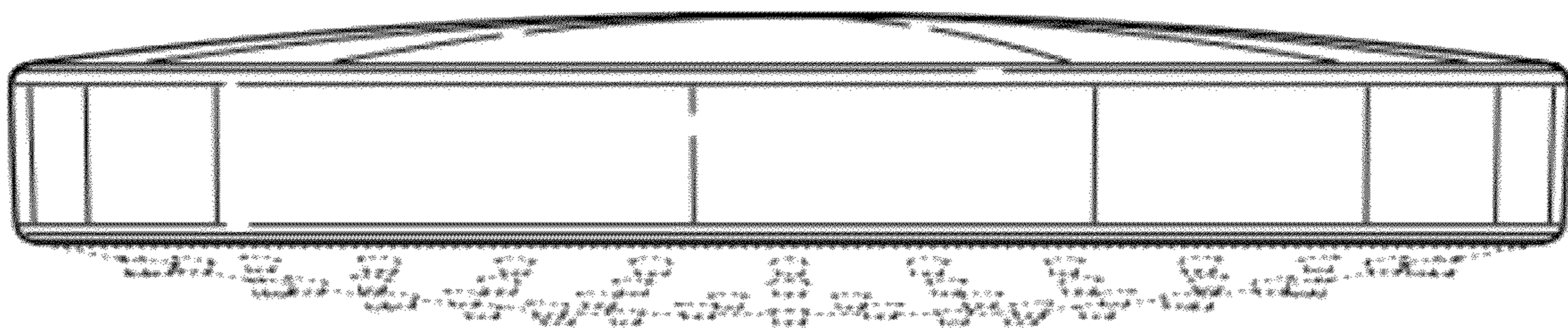


FIG. 3

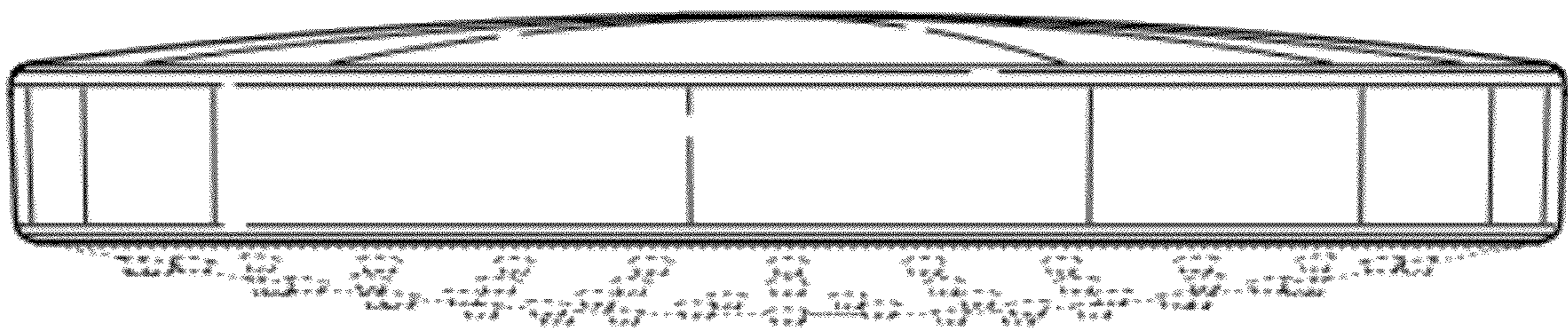


FIG. 4

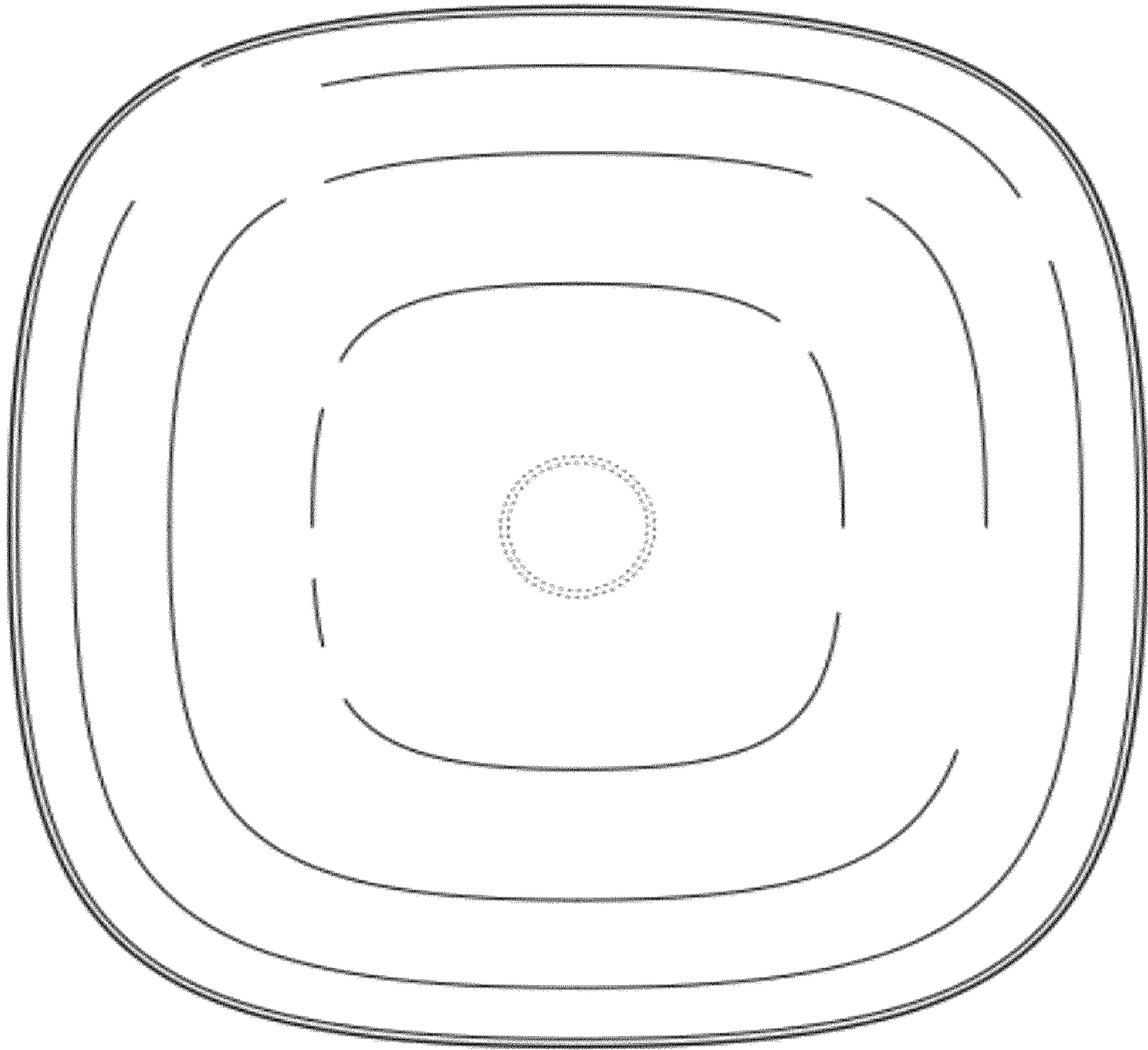


FIG. 5

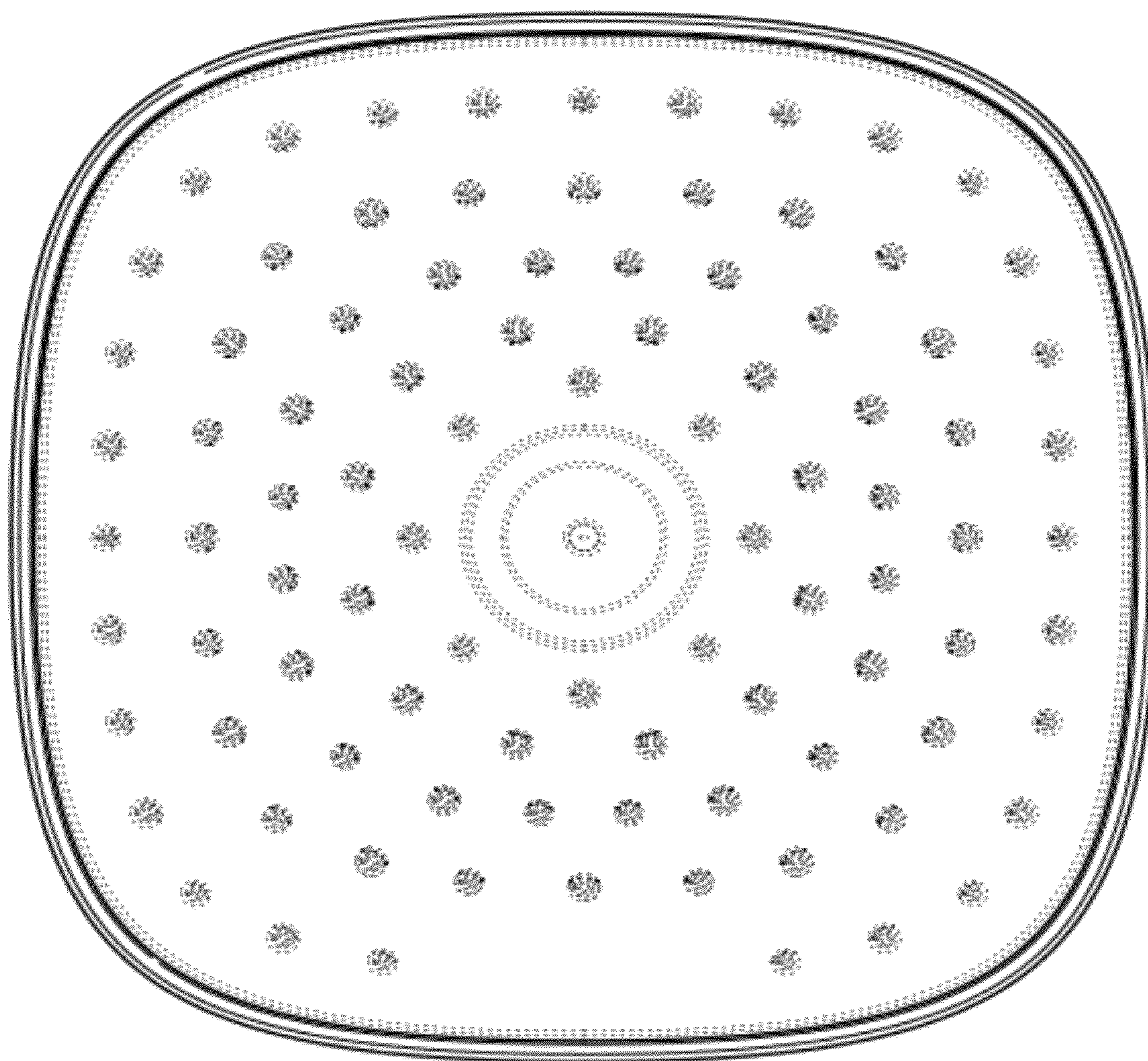


FIG. 6