



US00D658268S

(12) **United States Design Patent**  
**Bonzer**

(10) **Patent No.:** **US D658,268 S**

(45) **Date of Patent:** **\*\* \*Apr. 24, 2012**

(54) **HOSE NOZZLE 12**

(76) Inventor: **Robert L. Bonzer**, Boise, ID (US)

(\*) Notice: This patent is subject to a terminal disclaimer.

(\*\*) Term: **14 Years**

(21) Appl. No.: **29/393,954**

(22) Filed: **Jun. 10, 2011**

(51) **LOC (9) Cl.** ..... **23-01**

(52) **U.S. Cl.** ..... **D23/213**

(58) **Field of Classification Search** ..... D23/213,  
D23/223; 239/459, 452

See application file for complete search history.

(56) **References Cited**

**U.S. PATENT DOCUMENTS**

4,289,277 A \* 9/1981 Allenbaugh ..... 239/452  
D479,573 S \* 9/2003 Chen ..... D23/213

D501,913 S \* 2/2005 Chen ..... D23/213  
D536,765 S \* 2/2007 McCaughan Hay ..... D23/213  
D604,801 S \* 11/2009 Zore ..... D23/213

\* cited by examiner

*Primary Examiner* — Robin V Webster

(74) *Attorney, Agent, or Firm* — Frank J. Dykas; Dykas & Shaver LLP

(57) **CLAIM**

The ornamental design for a hose nozzle 12, as shown and described.

**DESCRIPTION**

FIG. 1 is a perspective representational view of the hose nozzle 12;

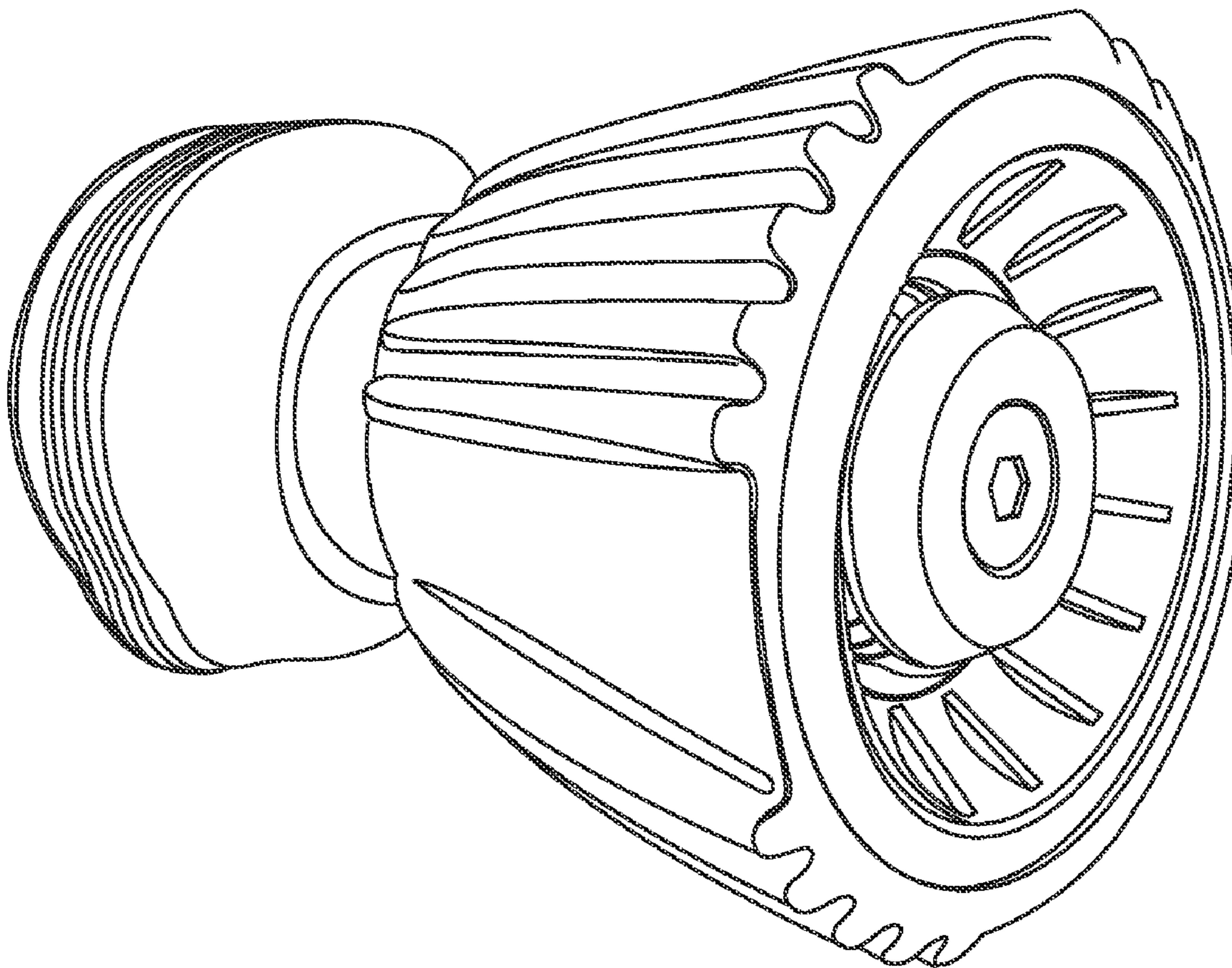
FIG. 2 is a first end view of the hose nozzle 12;

FIG. 3 is a side view of the hose nozzle 12;

FIG. 4 is a second end view of the hose nozzle 12; and,

FIG. 5 is a second side view of the hose nozzle 12.

**1 Claim, 5 Drawing Sheets**



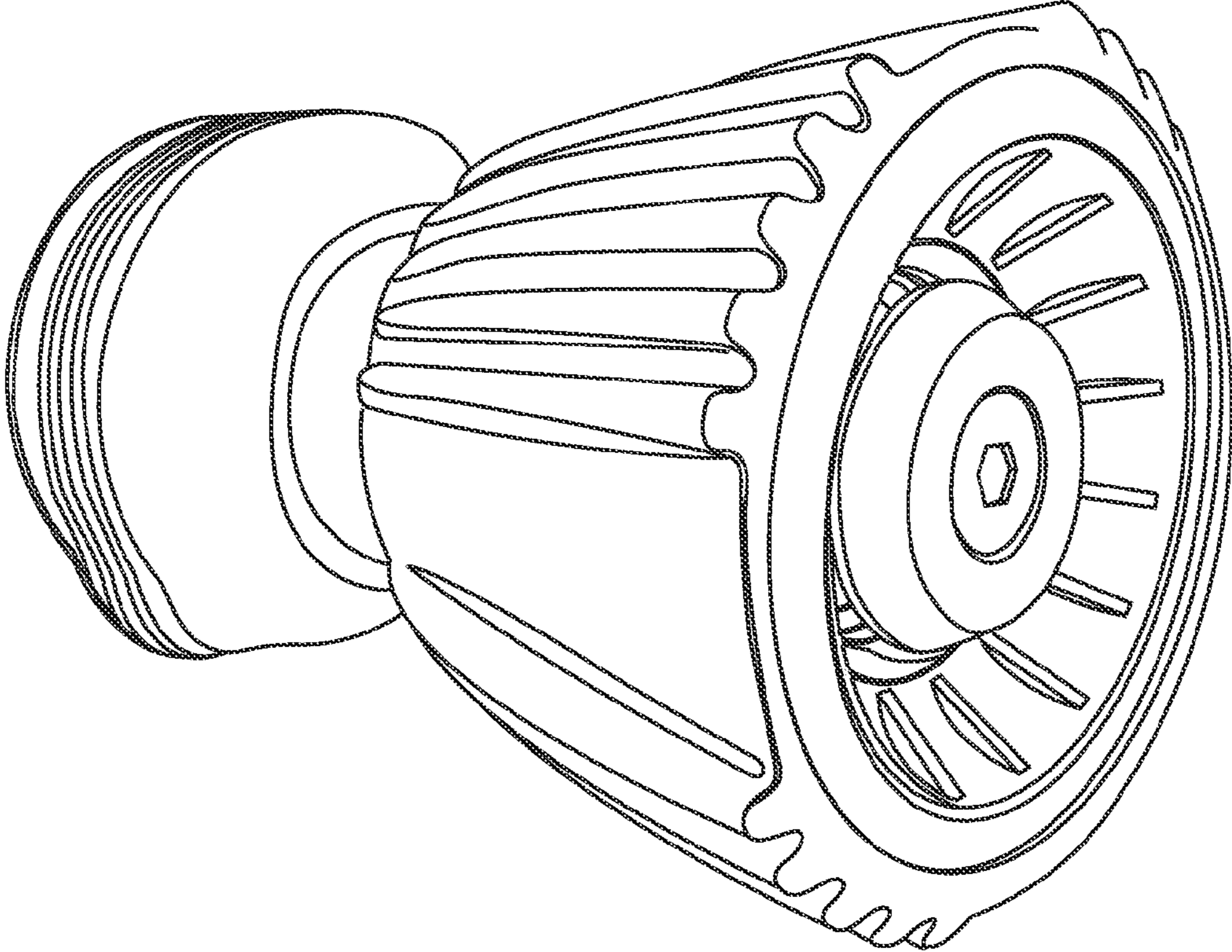


FIGURE 1

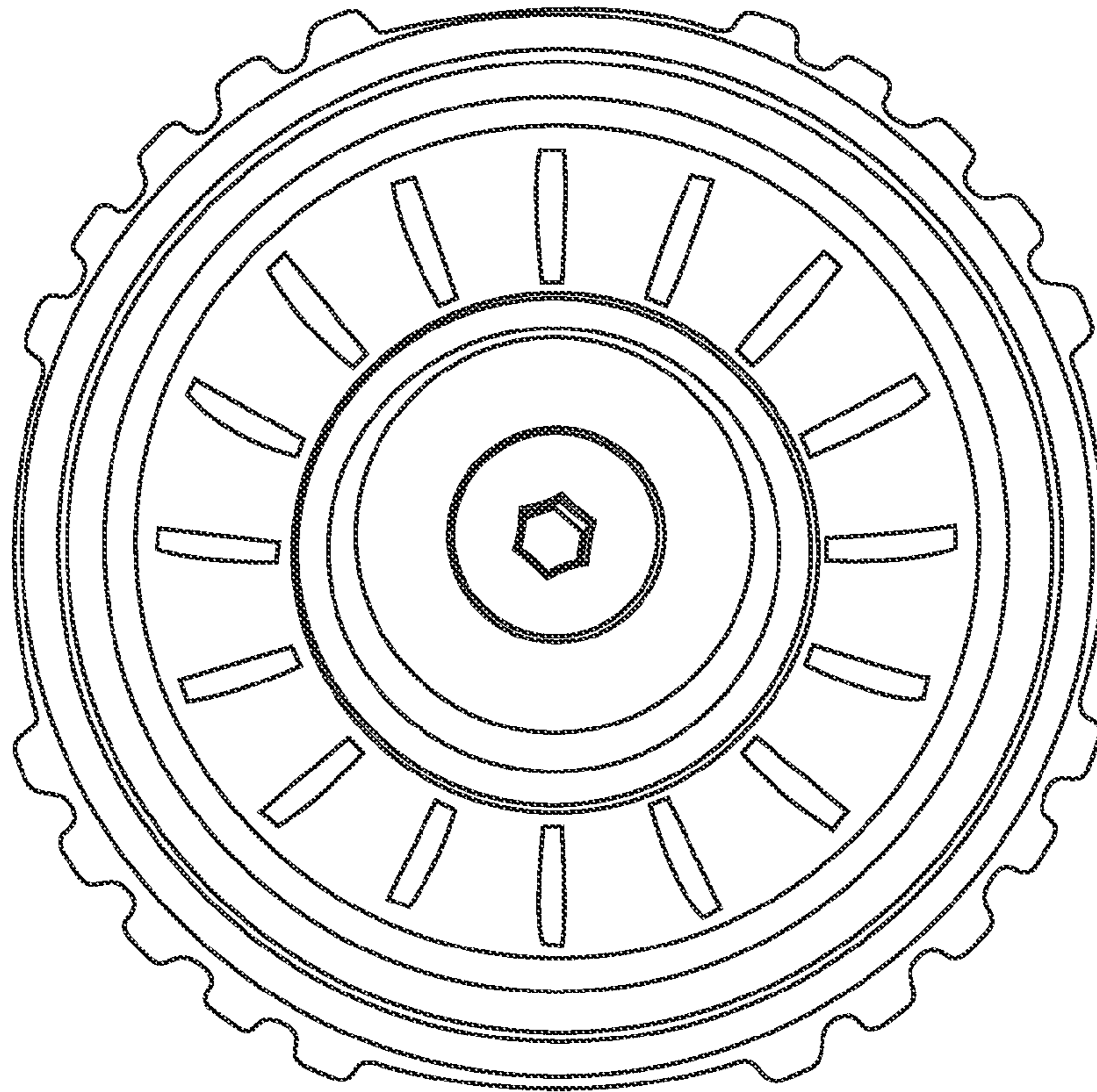


FIGURE 2

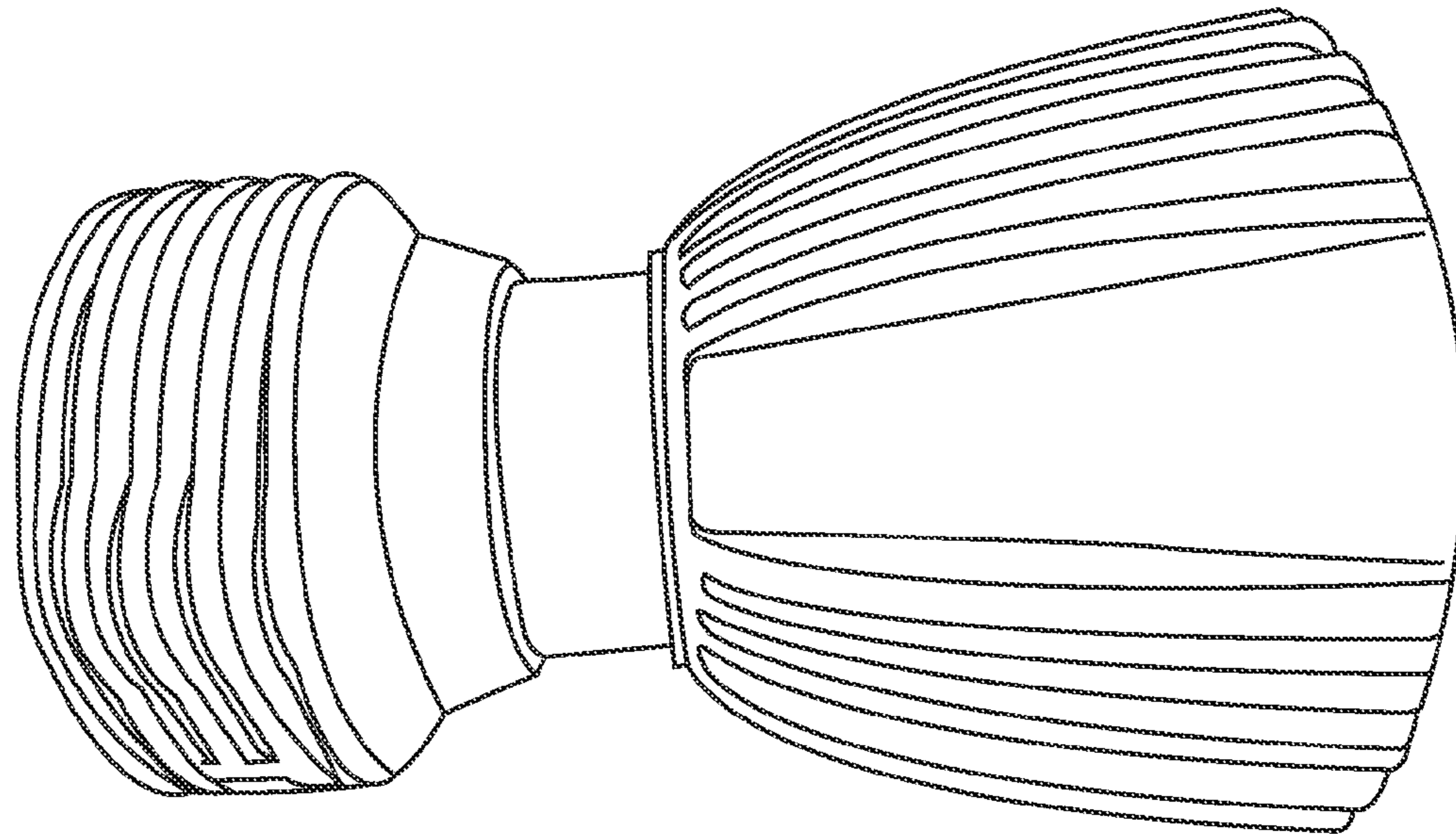


FIGURE 3

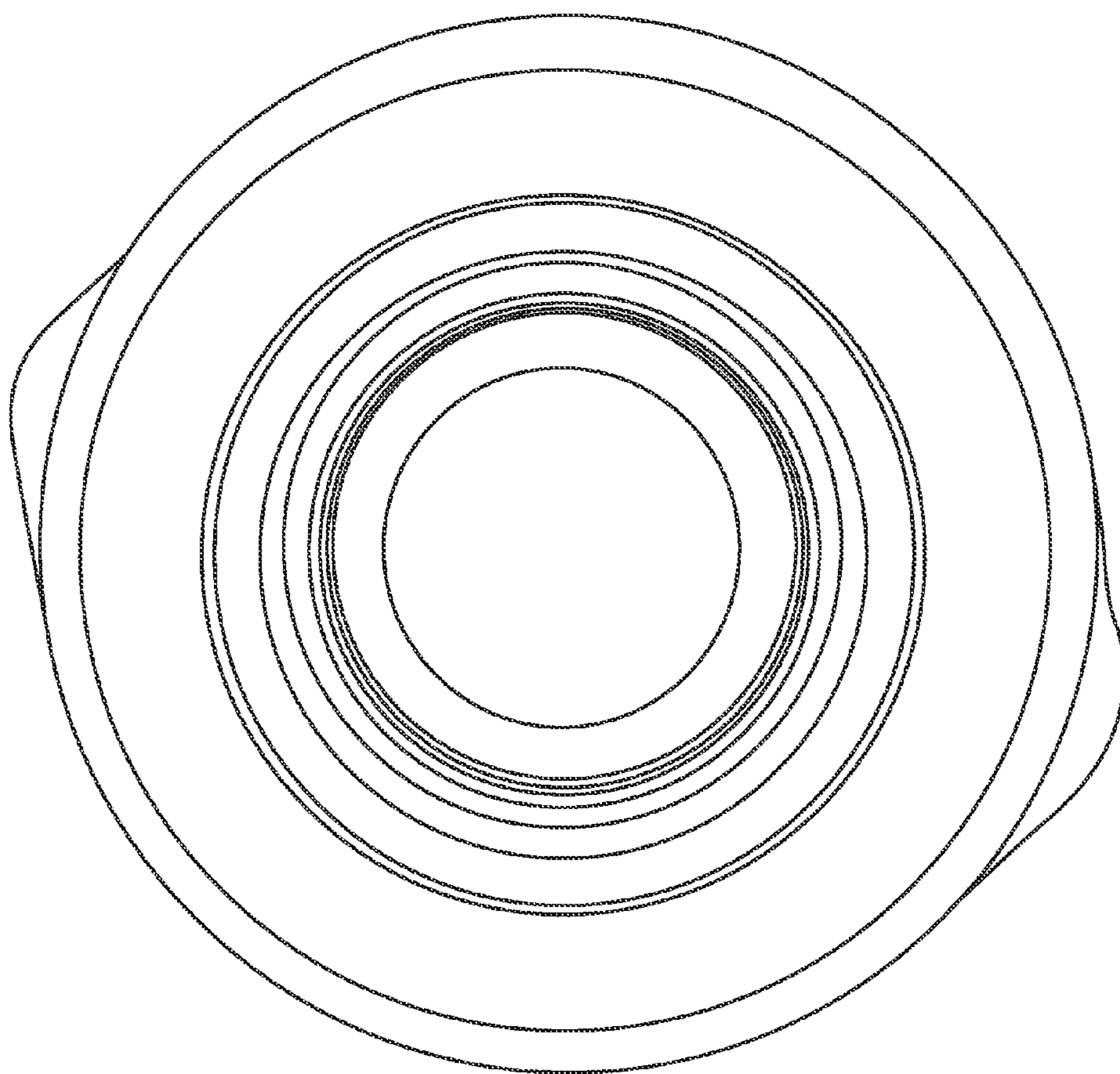


FIGURE 4

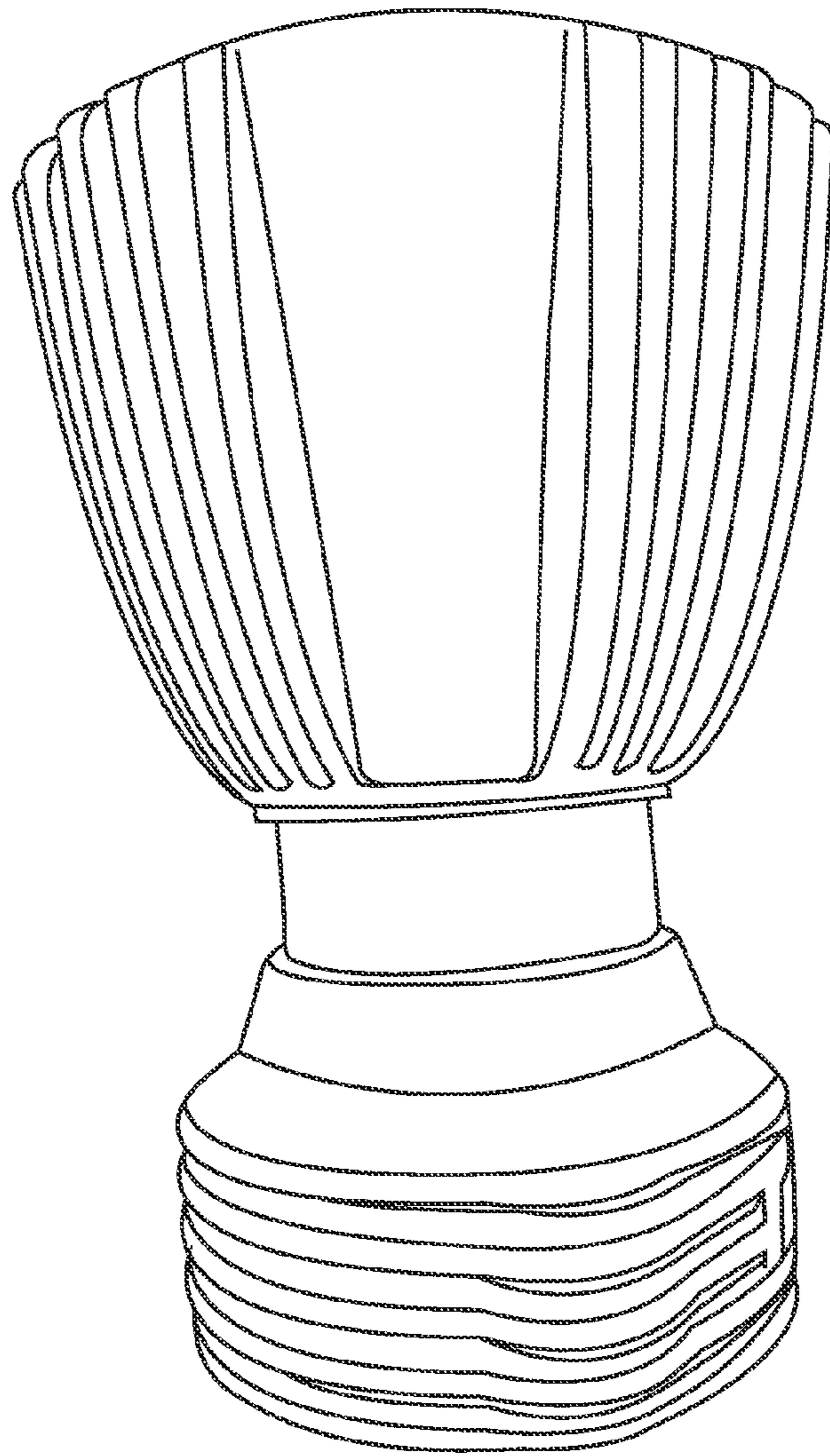


FIGURE 5