



US00D658266S

(12) **United States Design Patent**
Legatt

(10) **Patent No.:** **US D658,266 S**

(45) **Date of Patent:** **** Apr. 24, 2012**

(54) **RATTLE REEL HOLDER FOR ICE FISHING**

(76) Inventor: **Jeremy Legatt, Foley, MN (US)**

(**) Term: **14 Years**

(21) Appl. No.: **29/401,485**

(22) Filed: **Sep. 12, 2011**

(51) **LOC (9) Cl.** **22-05**

(52) **U.S. Cl.** **D22/134**

(58) **Field of Classification Search** D22/134,
D22/137-141; 43/16-20; 242/223-224,
242/234-240, 370

See application file for complete search history.

6,898,892 B2 * 5/2005 Senckowski 43/17
D518,550 S * 4/2006 Bertin D22/134
7,185,456 B1 * 3/2007 Schoenecker et al. 43/17
7,322,148 B2 * 1/2008 Coulman 43/17
7,716,867 B2 5/2010 Dungan

* cited by examiner

Primary Examiner — Catheri Oliver

(74) *Attorney, Agent, or Firm* — Goldstein Law Offices, P.C.

(57) **CLAIM**

The ornamental design for a rattle reel holder for ice fishing, as shown and described.

(56) **References Cited**

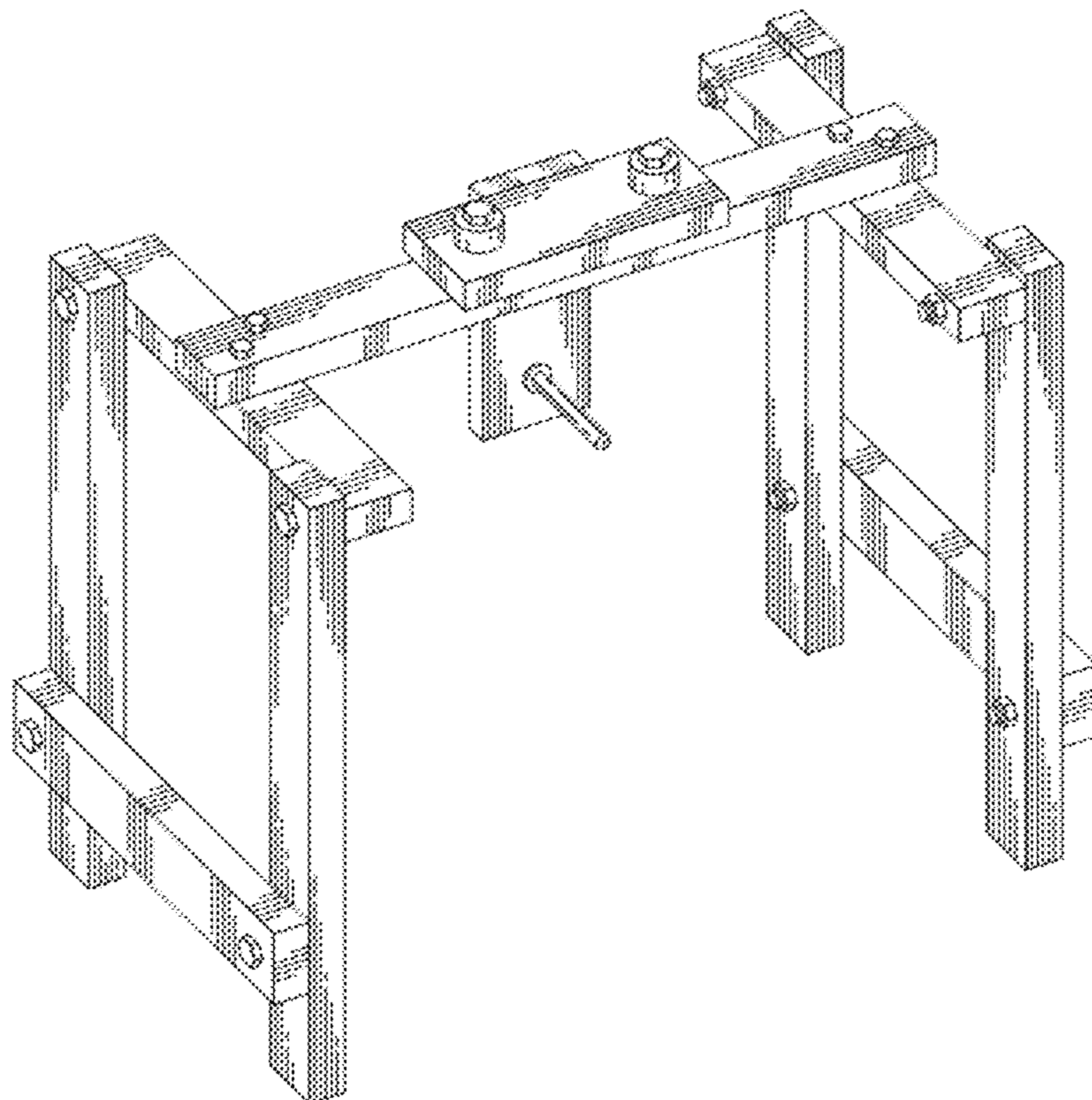
U.S. PATENT DOCUMENTS

2,136,864	A	11/1938	Paquette	
3,530,611	A	9/1970	Britt	
4,043,070	A	8/1977	Lamothe	
4,571,876	A	2/1986	LeClair	
4,718,190	A	1/1988	Ward et al.	
4,805,336	A	2/1989	Heyerman	
4,912,870	A	4/1990	Smoluk	
D377,079	S *	12/1996	Robinson D22/137
5,598,656	A *	2/1997	Strasser 43/17
6,079,142	A	6/2000	Danser et al.	
D432,620	S *	10/2000	Rozkowski D22/134

DESCRIPTION

FIG. 1 is a perspective view of the rattle reel holder for ice fishing in full lines.
FIG. 2 is a front elevational view of the rattle reel holder for ice fishing.
FIG. 3 a rear elevational view thereof.
FIG. 4 is a left side elevational view thereof.
FIG. 5 is a right side elevational view thereof.
FIG. 6 is a top plan view thereof; and,
FIG. 7 is a bottom plan view thereof.

1 Claim, 4 Drawing Sheets



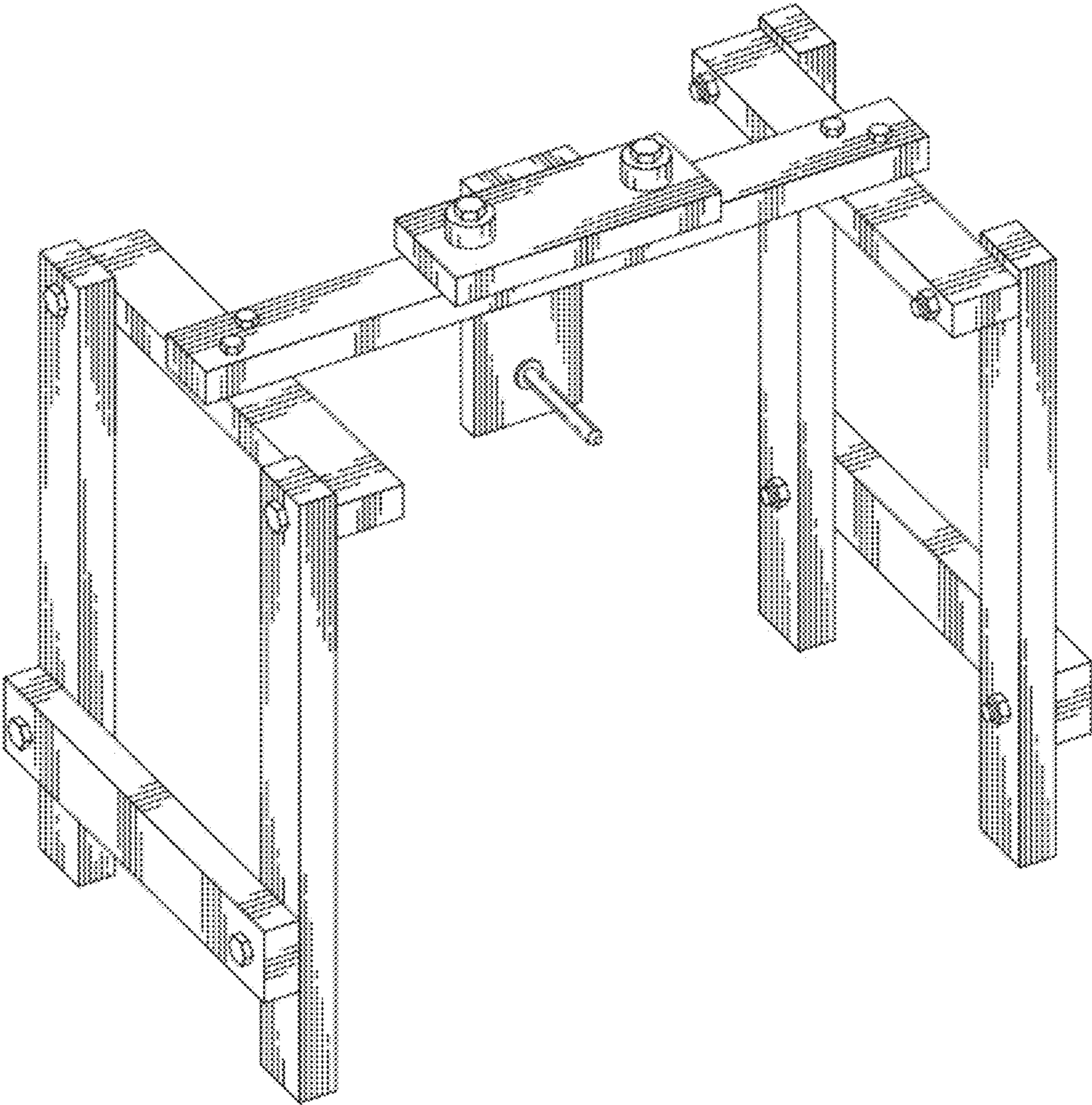


FIG. 1

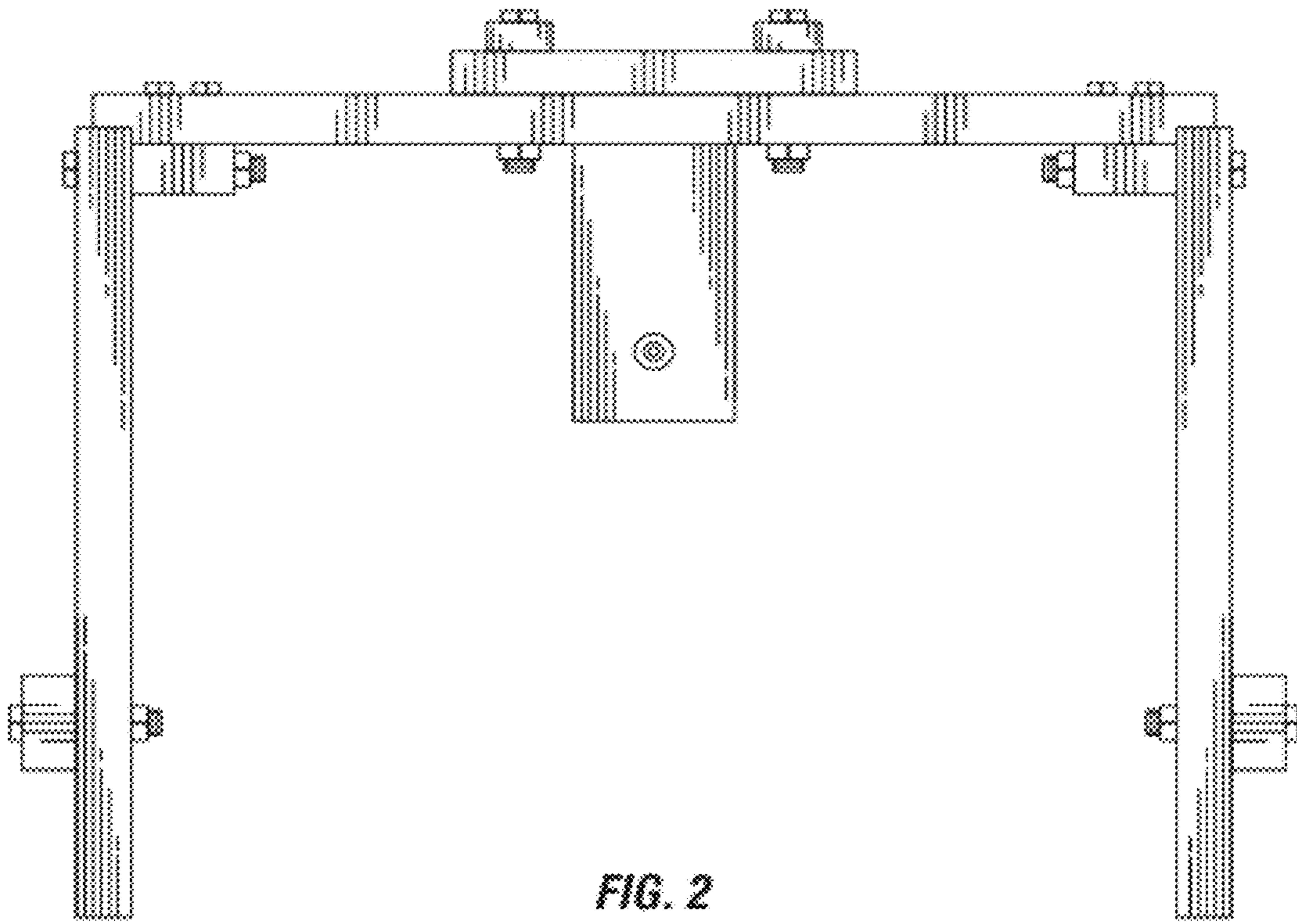


FIG. 2

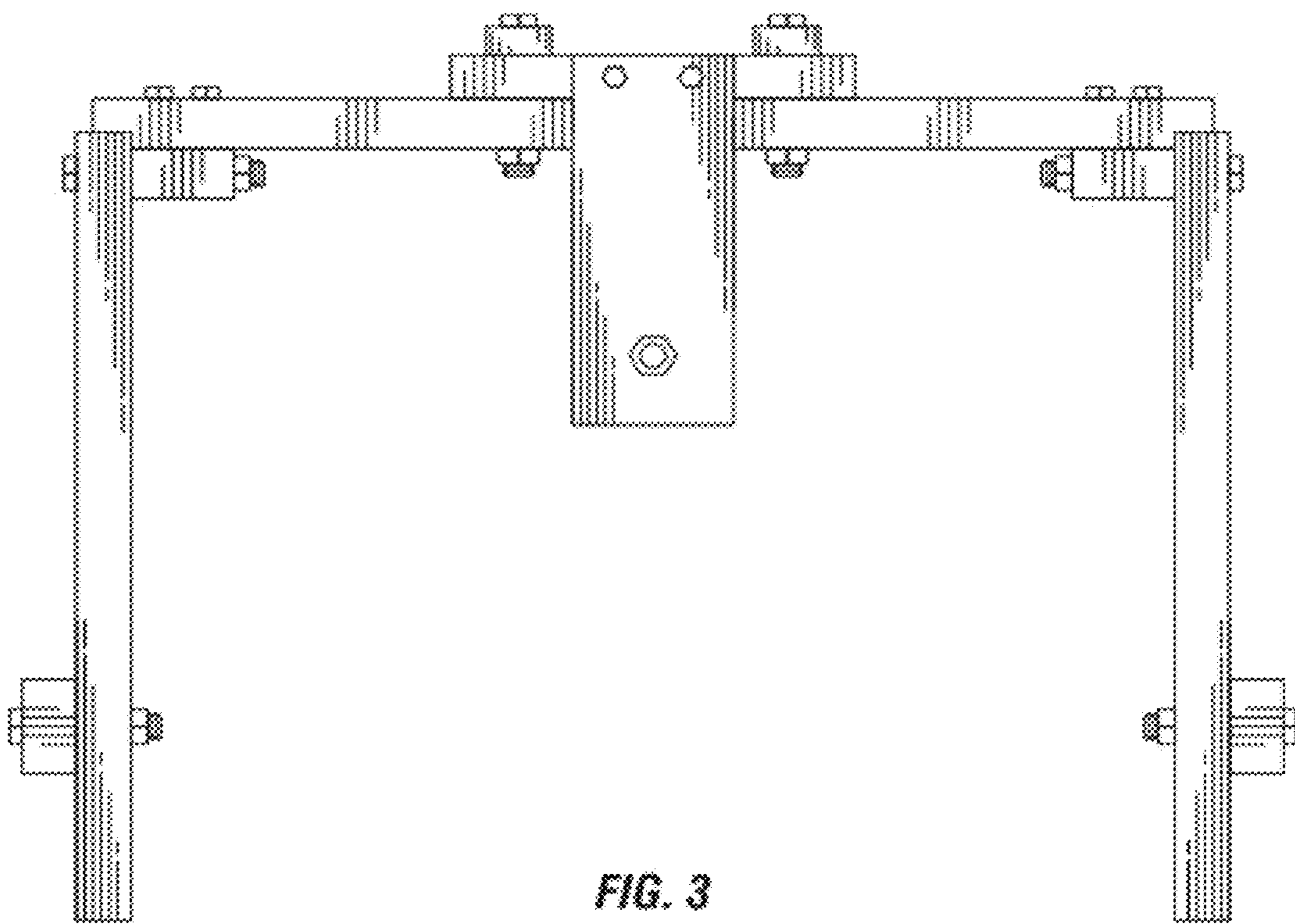


FIG. 3

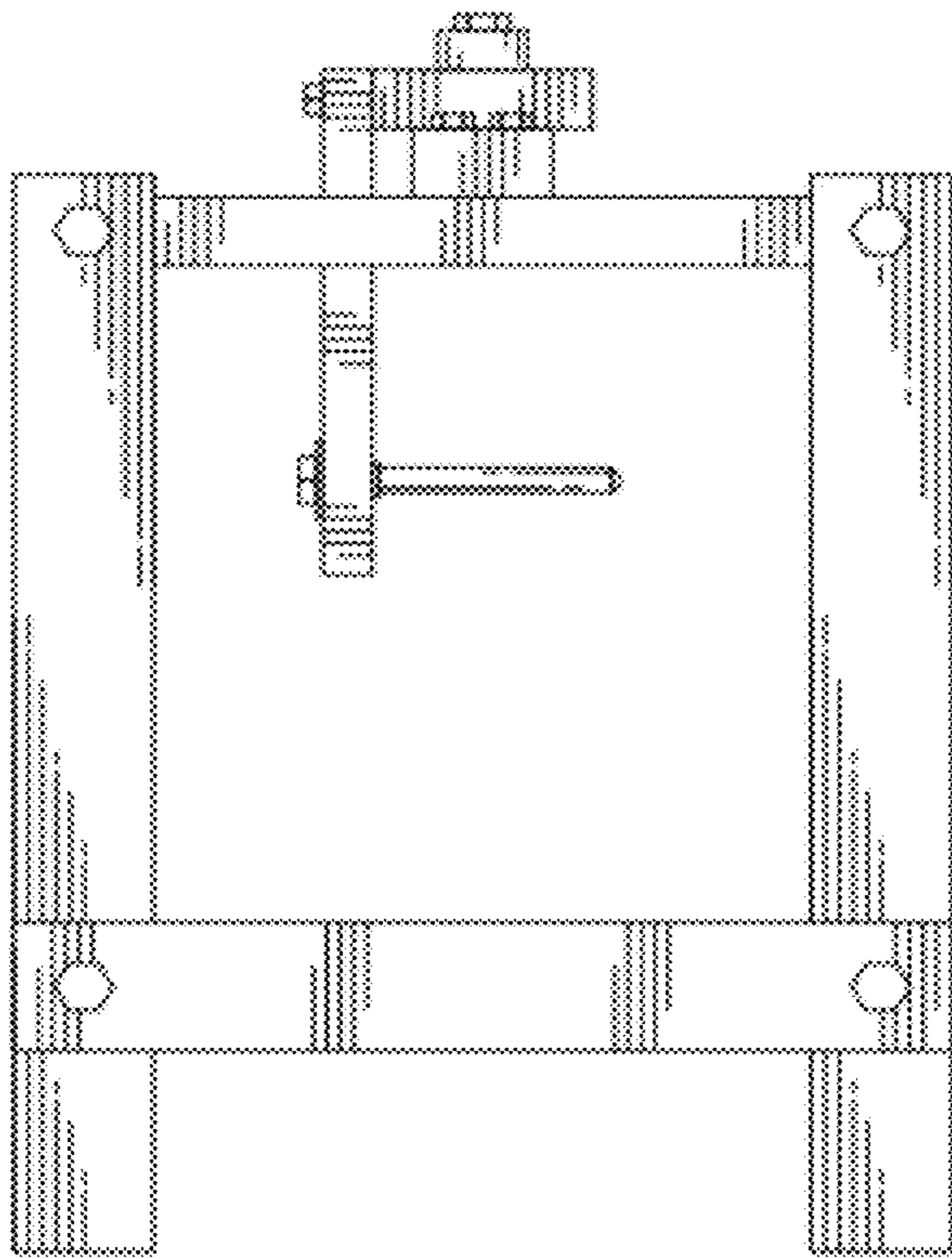


FIG. 4

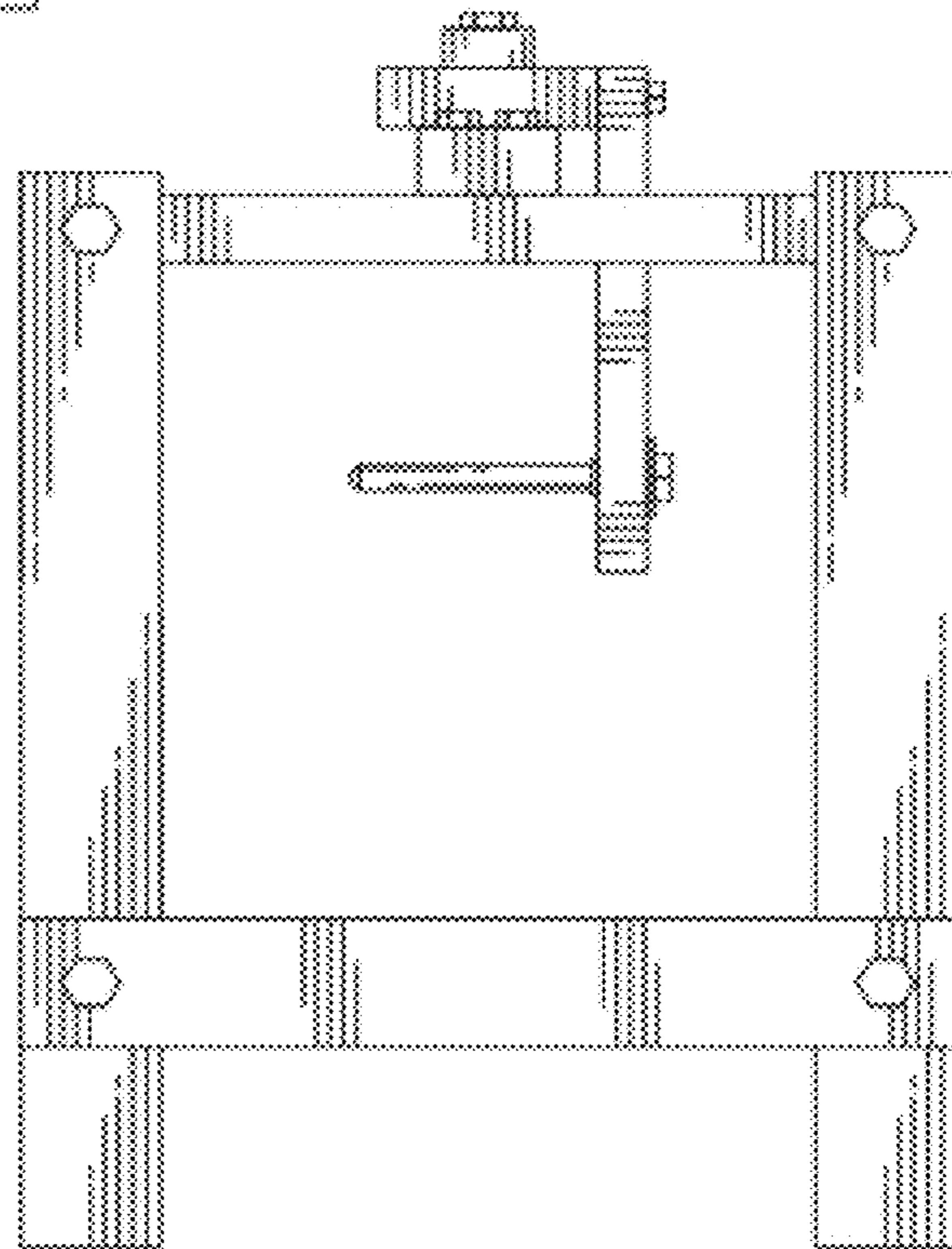


FIG. 5

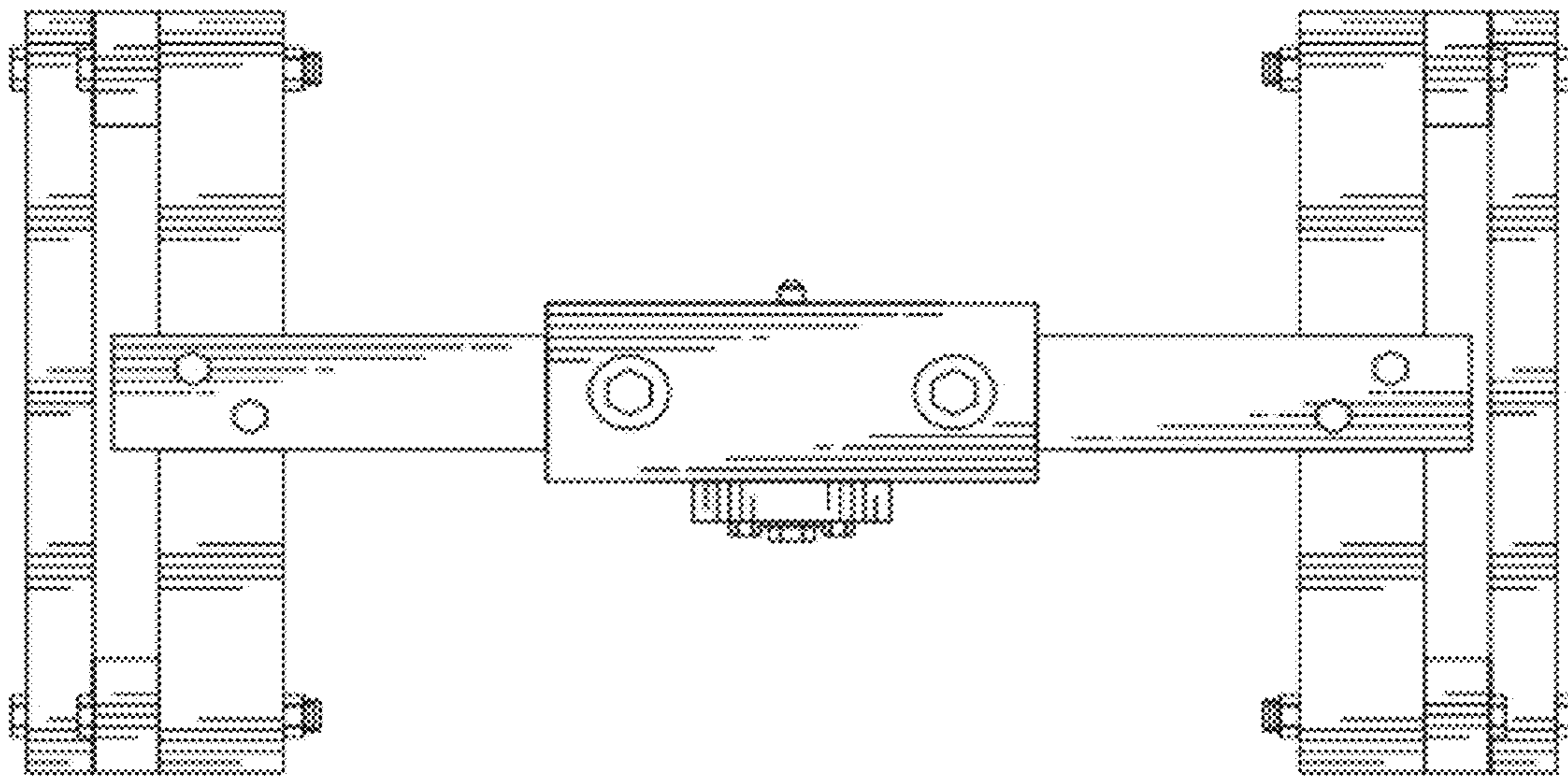


FIG. 6

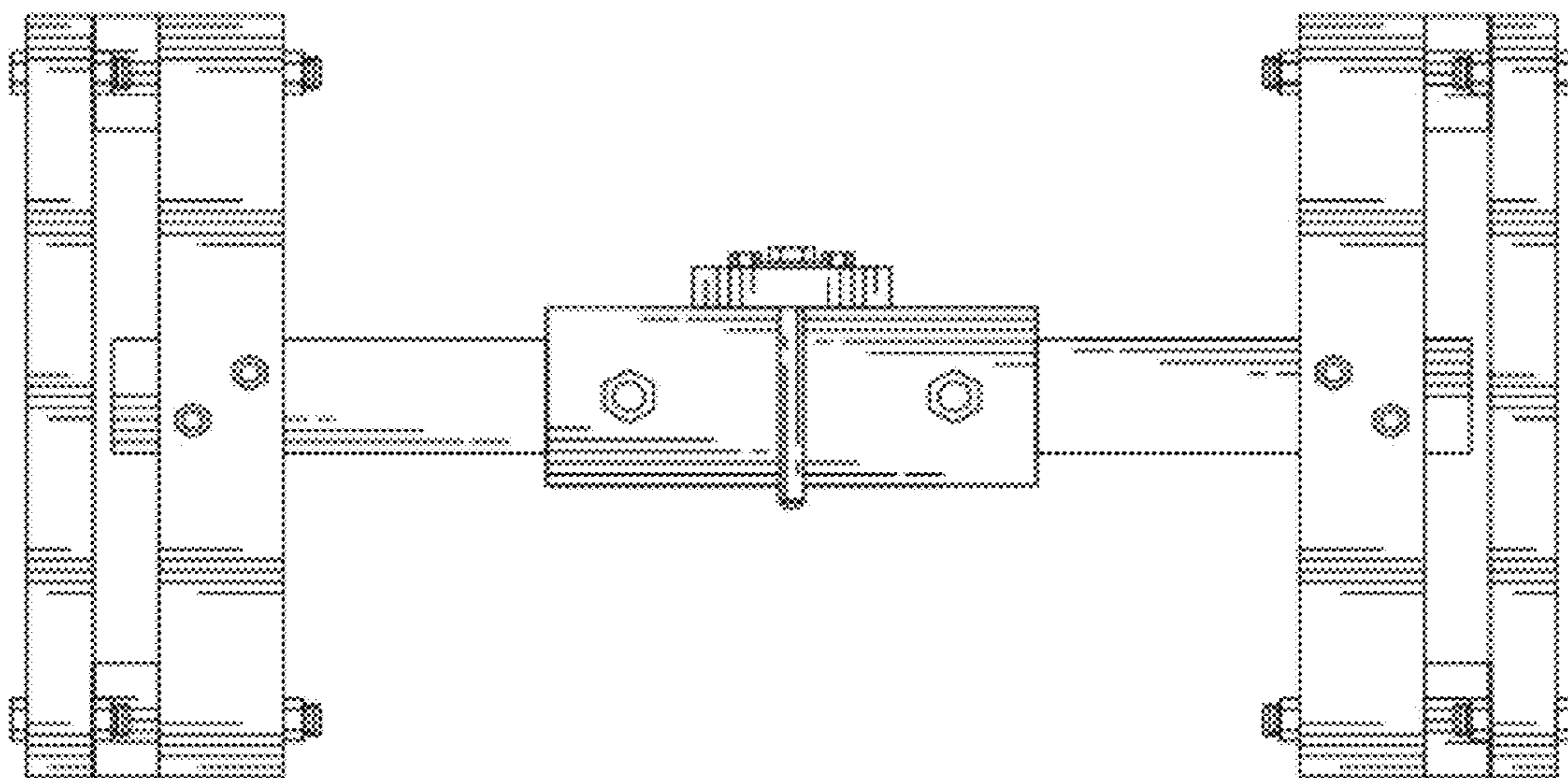


FIG. 7