

US00D658263S

(12) **United States Design Patent**
Nierenberg

(10) **Patent No.:** **US D658,263 S**

(45) **Date of Patent:** **** *Apr. 24, 2012**

(54) **THUMB SUPPORT FOR A GUN**

(75) Inventor: **R. Chester Nierenberg**, Honolulu, HI (US)

(73) Assignee: **Grip Holdings, LLC**, Honolulu, HI (US)

(*) Notice: This patent is subject to a terminal disclaimer.

(**) Term: **14 Years**

(21) Appl. No.: **29/376,744**

(22) Filed: **Oct. 11, 2010**

(51) **LOC (9) Cl.** **22-01**

(52) **U.S. Cl.** **D22/108; D22/104**

(58) **Field of Classification Search** D22/100, D22/101, 103, 104, 108, 199; D21/572, D21/573; 42/51, 71.01, 75.01, 75.02, 90, 42/94, 134, 136, 139, 125, 72, 111; 362/110; 89/40.06, 41.19, 37.04, 33.04, 191.01, 200-204; 124/67, 66, 72, 74

See application file for complete search history.

(56) **References Cited**

U.S. PATENT DOCUMENTS

1,940,362 A * 12/1933 McClarin, Sr. 42/71.02
D142,016 S * 8/1945 Birk D22/104

FOREIGN PATENT DOCUMENTS

DE 4202800 A1 * 8/1993

* cited by examiner

Primary Examiner — T. Chase Nelson

Assistant Examiner — Michael Pratt

(74) *Attorney, Agent, or Firm* — Leighton K. Chong

(57) **CLAIM**

The ornamental design for a thumb support for a gun, as shown and described.

DESCRIPTION

FIG. 1 is a perspective view of a first embodiment of a thumb support for a gun;

FIG. 2 is a left side elevation view of the first version shown in FIG. 1;

FIG. 3 is a right side elevation view of the first version shown in FIG. 1;

FIG. 4 is a front end view of the first version shown in FIG. 1;

FIG. 5 is a rear end view of the first version shown in FIG. 1;

FIG. 6 is a top view of the first version shown in FIG. 1;

FIG. 7 is a bottom view of the first version shown in FIG. 1;

FIG. 8 is a perspective view of a second embodiment for a thumb support for a gun;

FIG. 9 is a left side elevation view of the second version shown in FIG. 8;

FIG. 10 is a right side elevation view of the second version shown in FIG. 8;

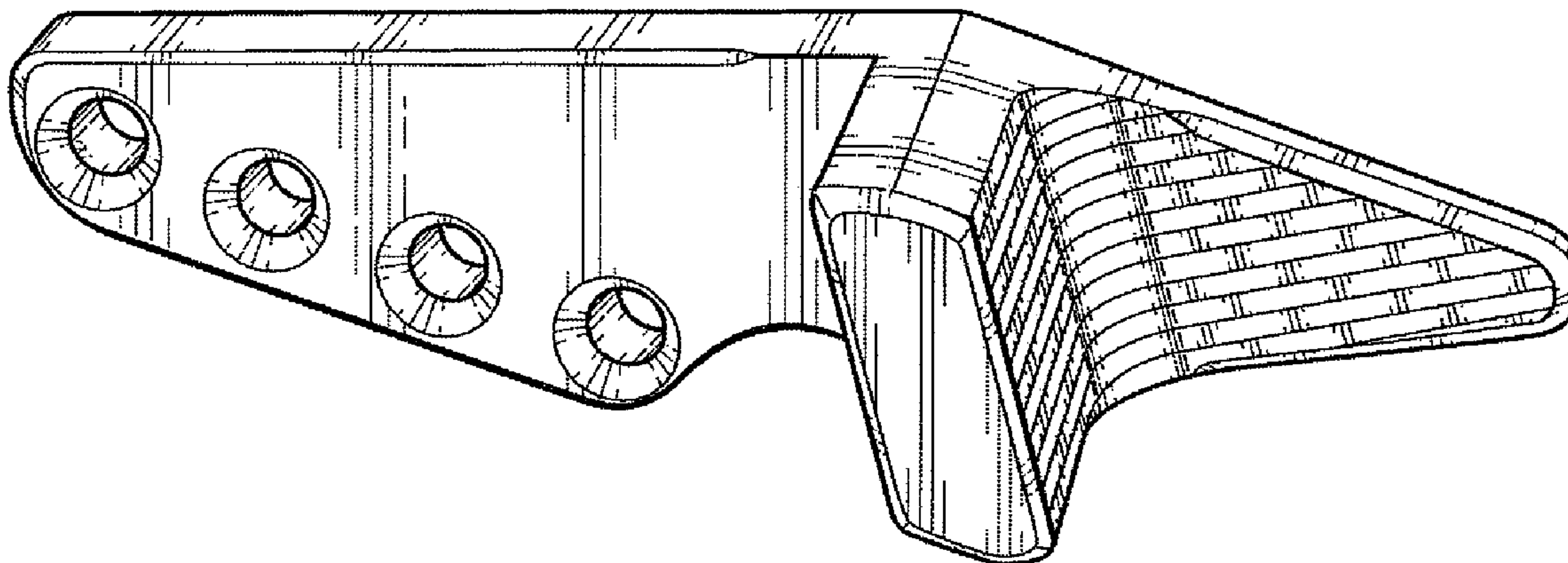
FIG. 11 is a front end view of the second version shown in FIG. 8;

FIG. 12 is a rear end view of the second version shown in FIG. 8;

FIG. 13 is a top view of the second version shown in FIG. 8; and,

FIG. 14 is a bottom view of the second version shown in FIG. 8.

1 Claim, 8 Drawing Sheets



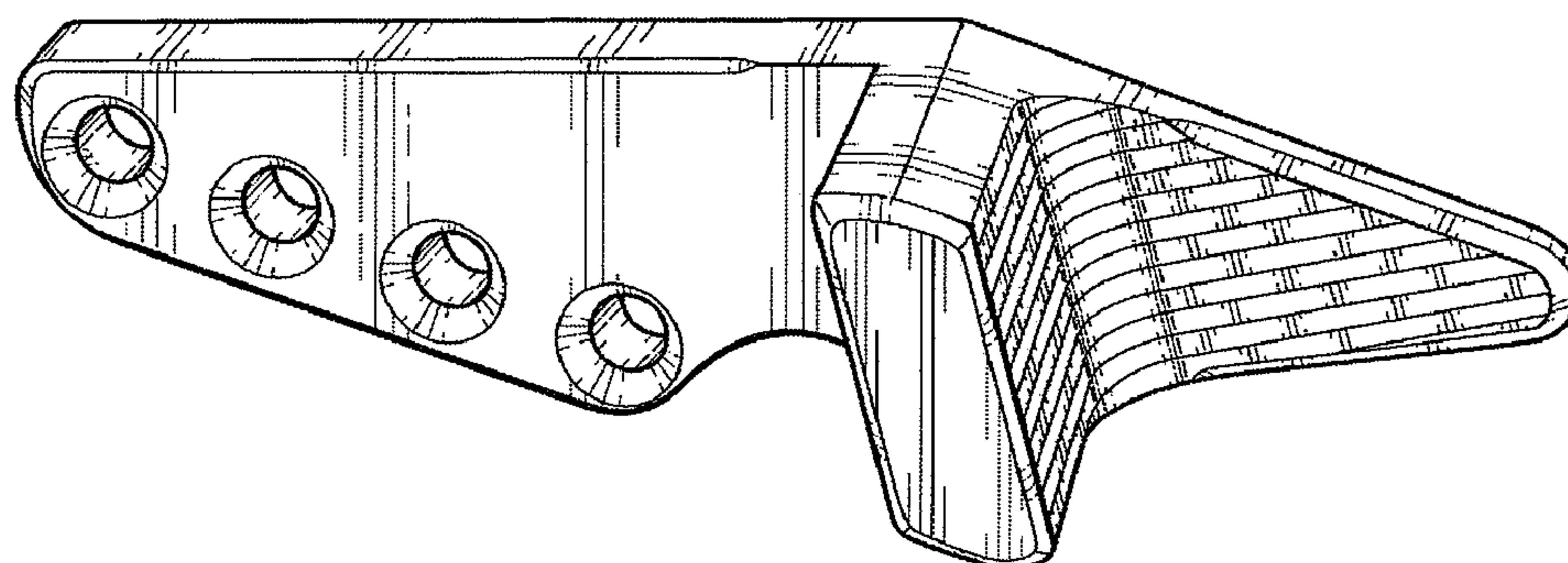


FIG. 1

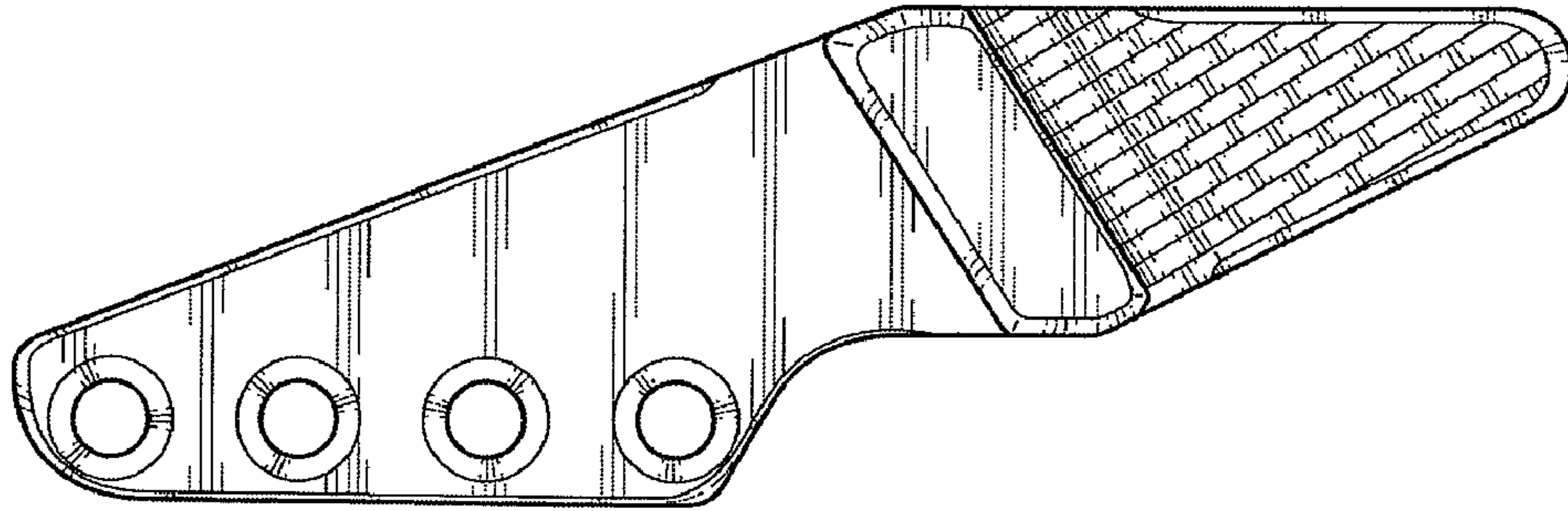


FIG. 2

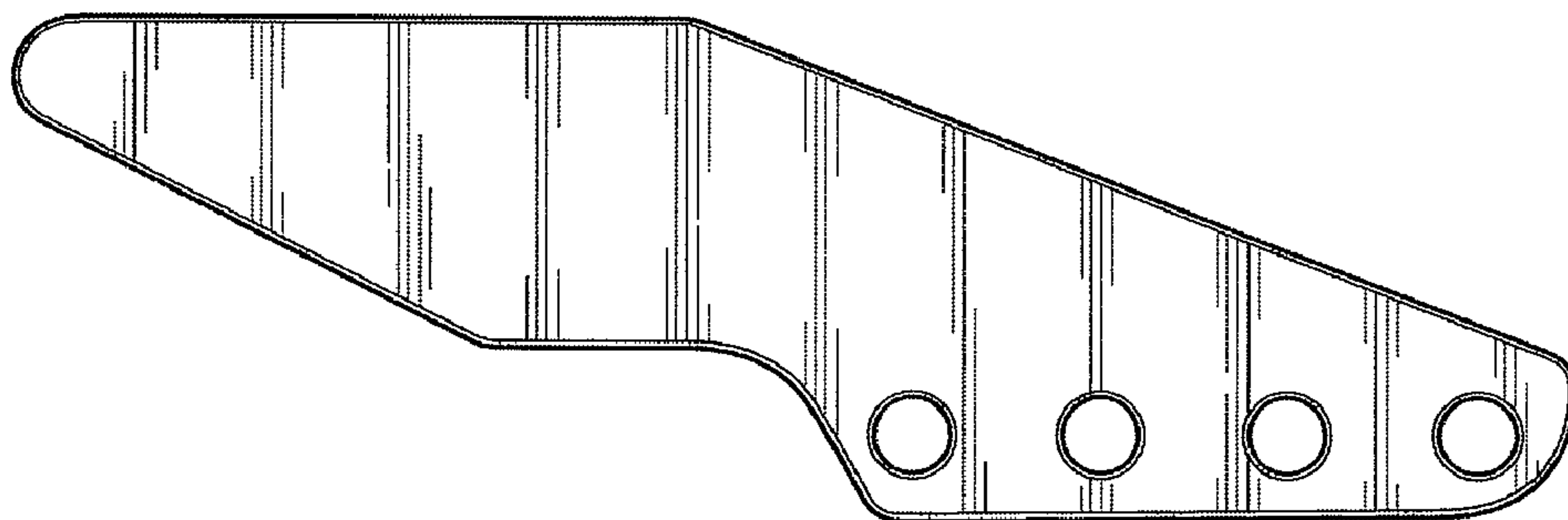


FIG. 3

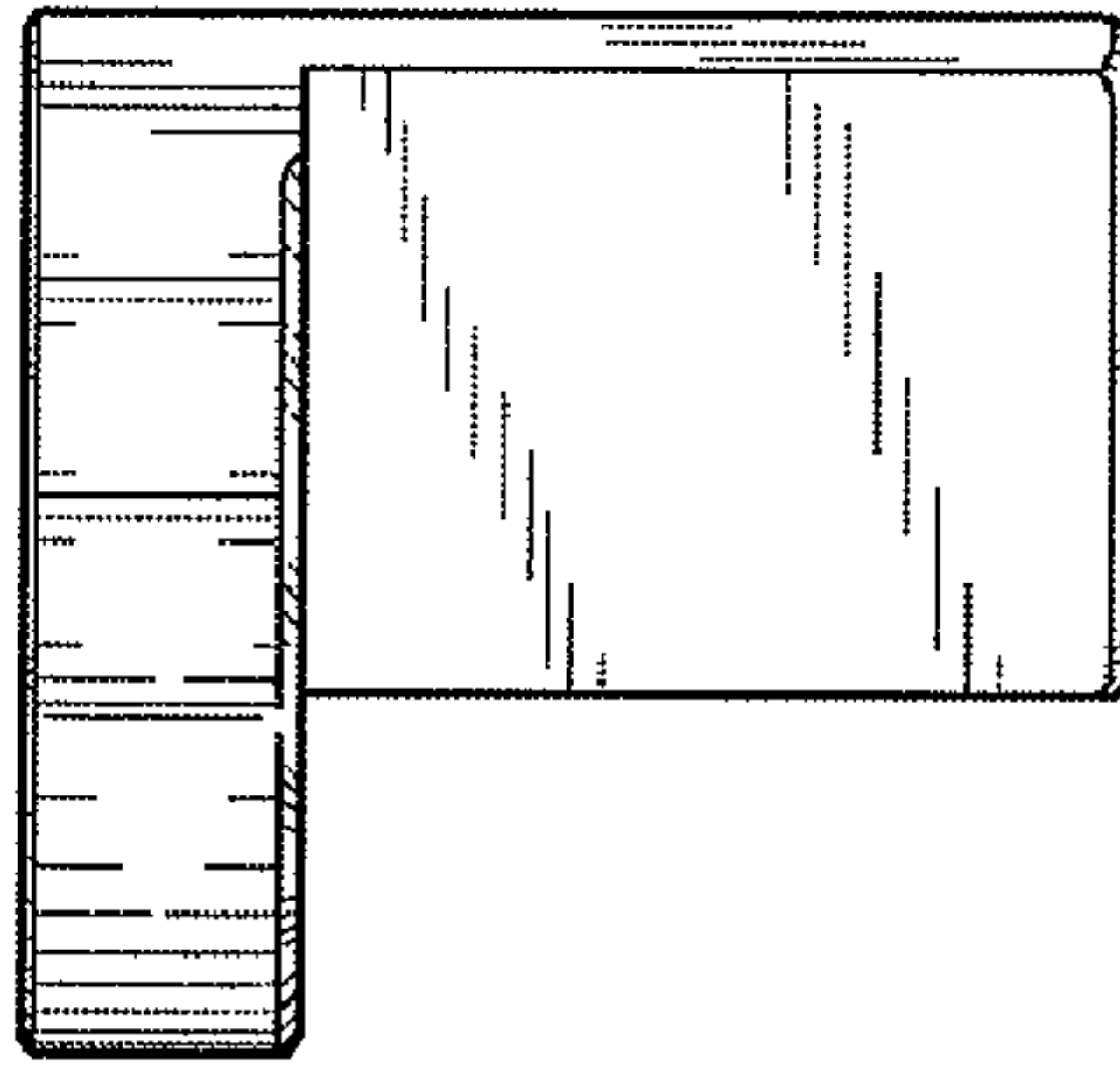


FIG. 4

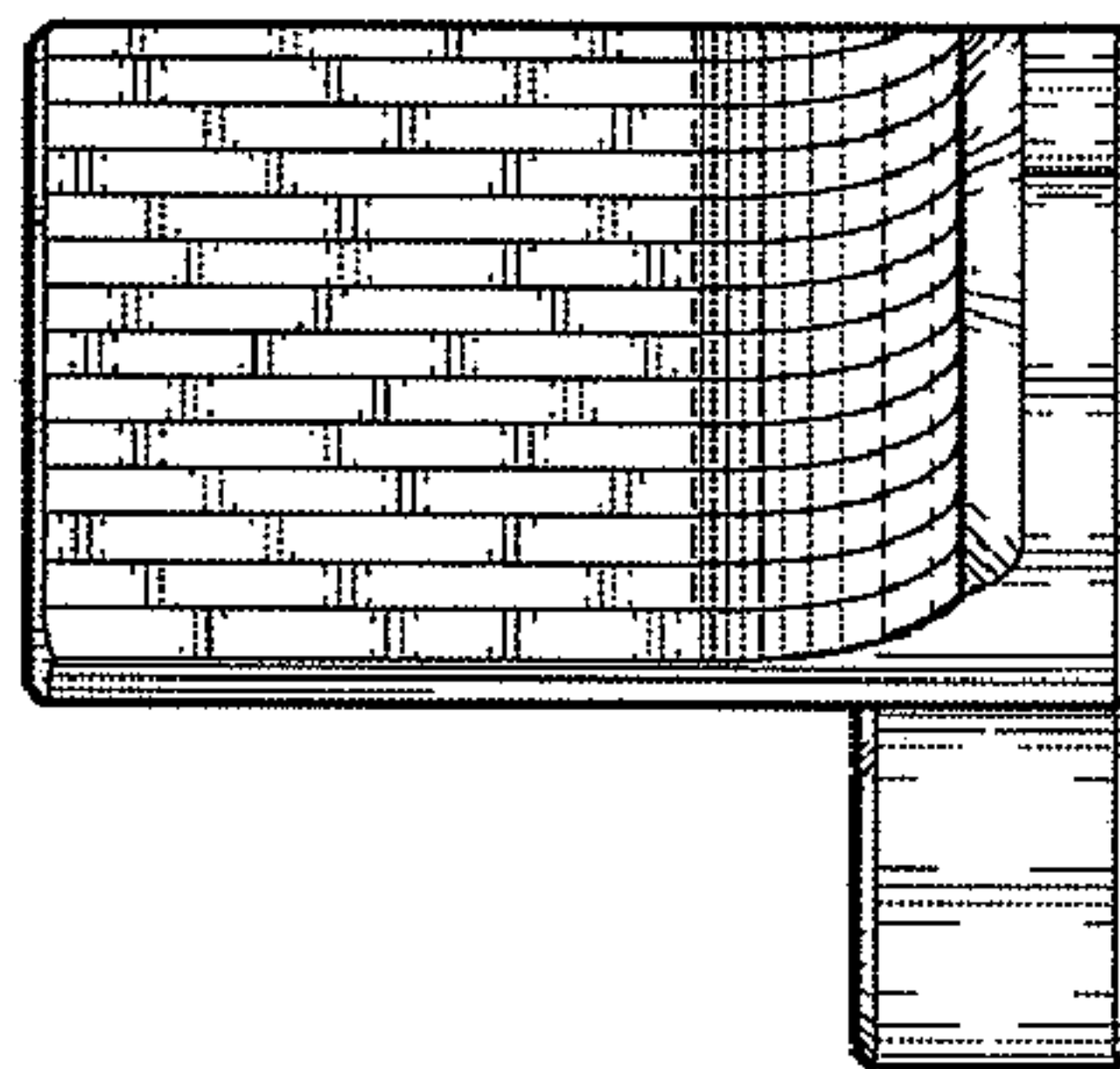


FIG. 5

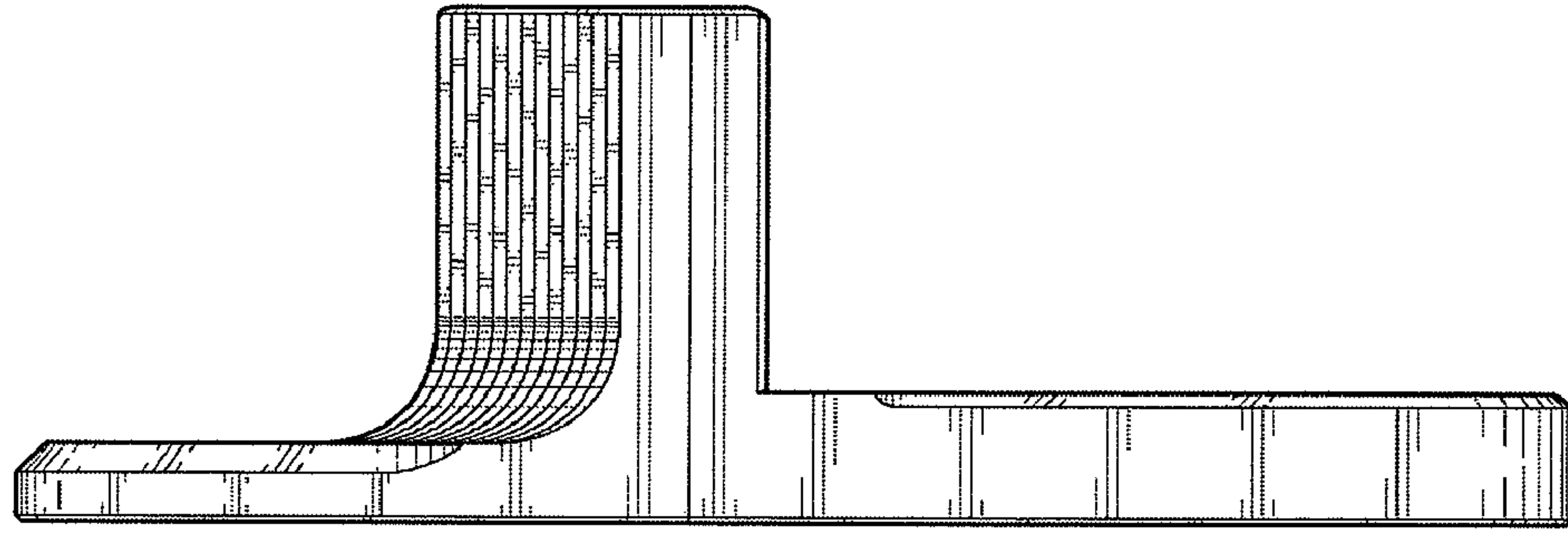


FIG. 6

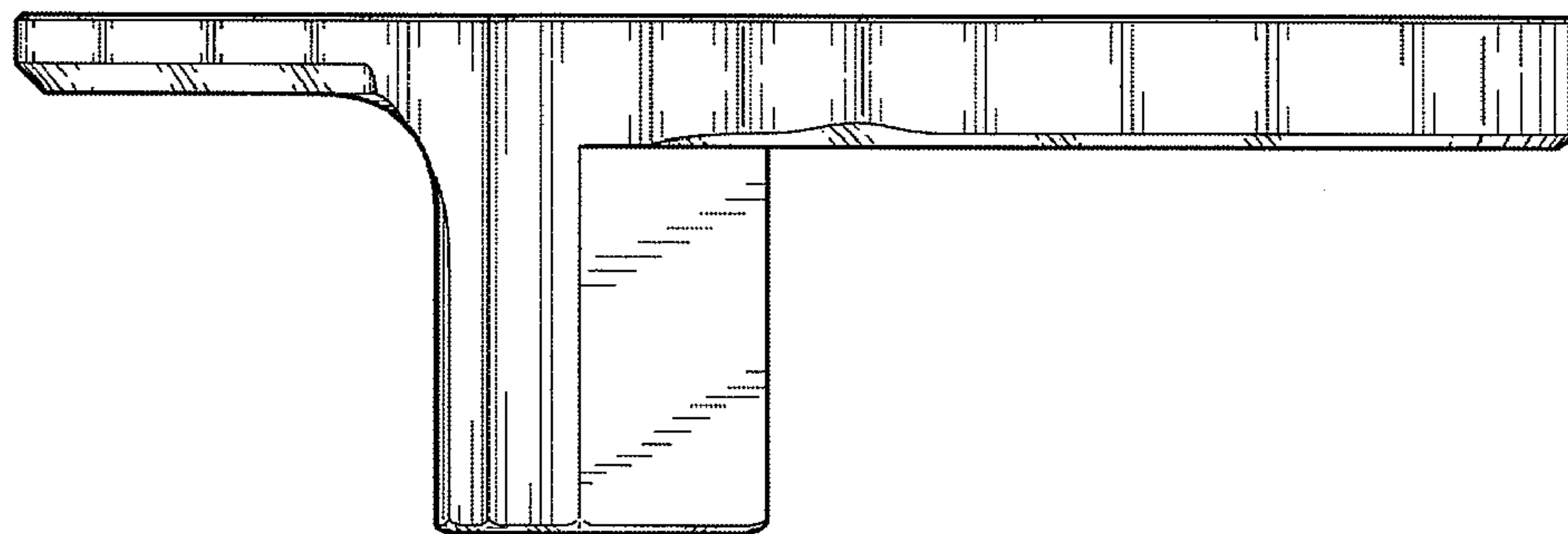


FIG. 7

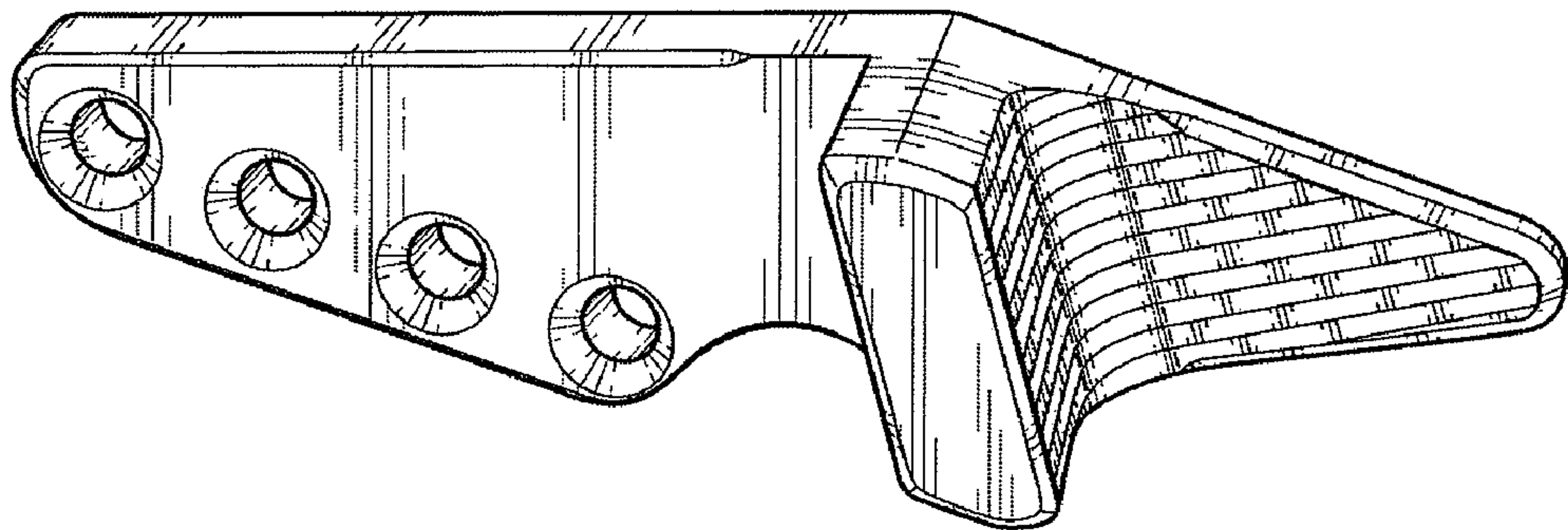


FIG. 8

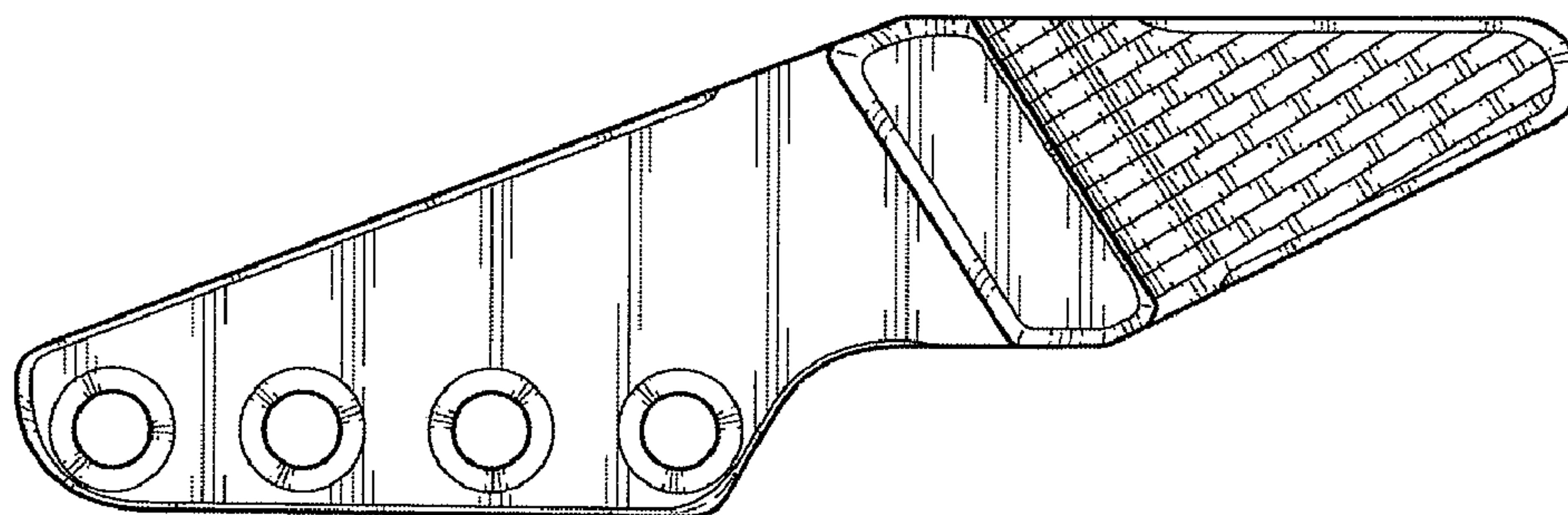


FIG. 9

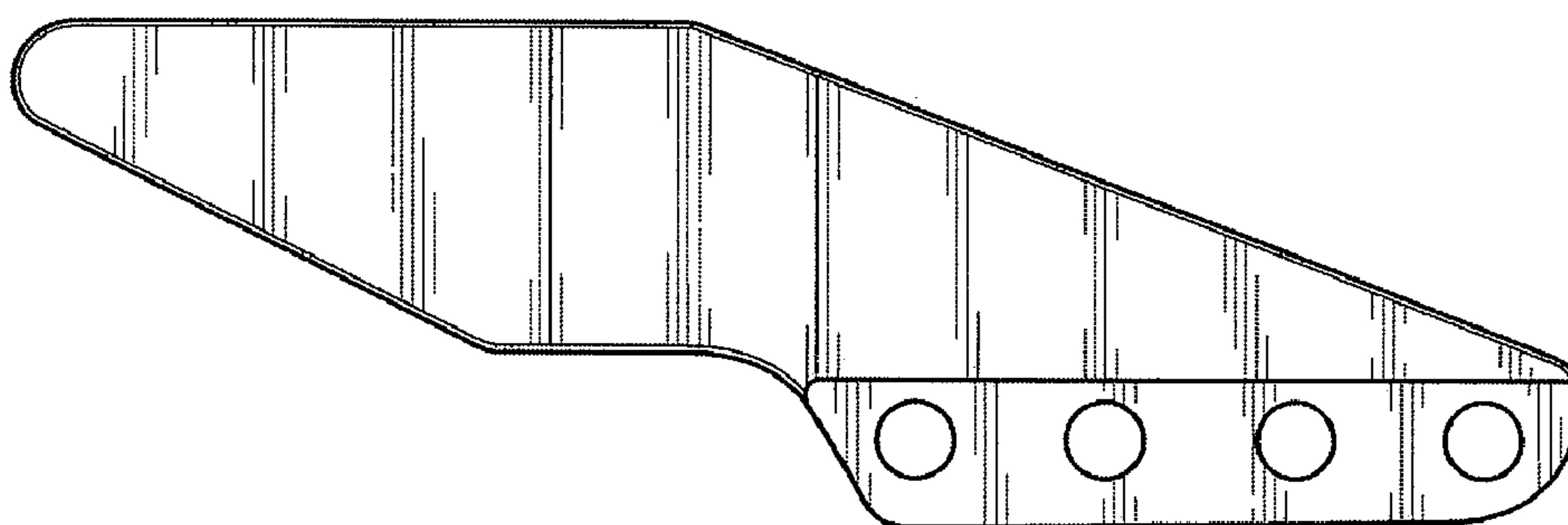


FIG. 10

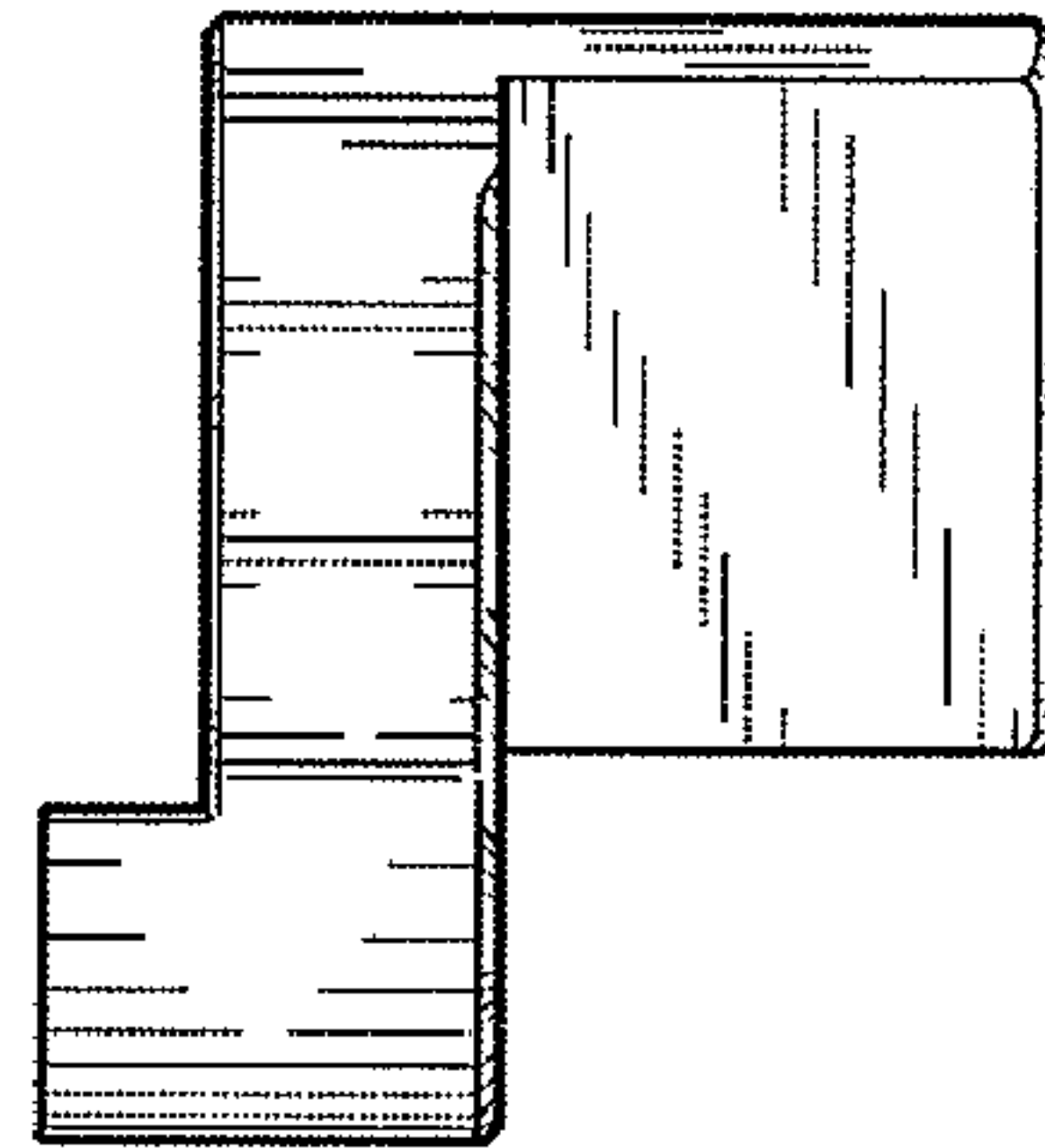


FIG. 11

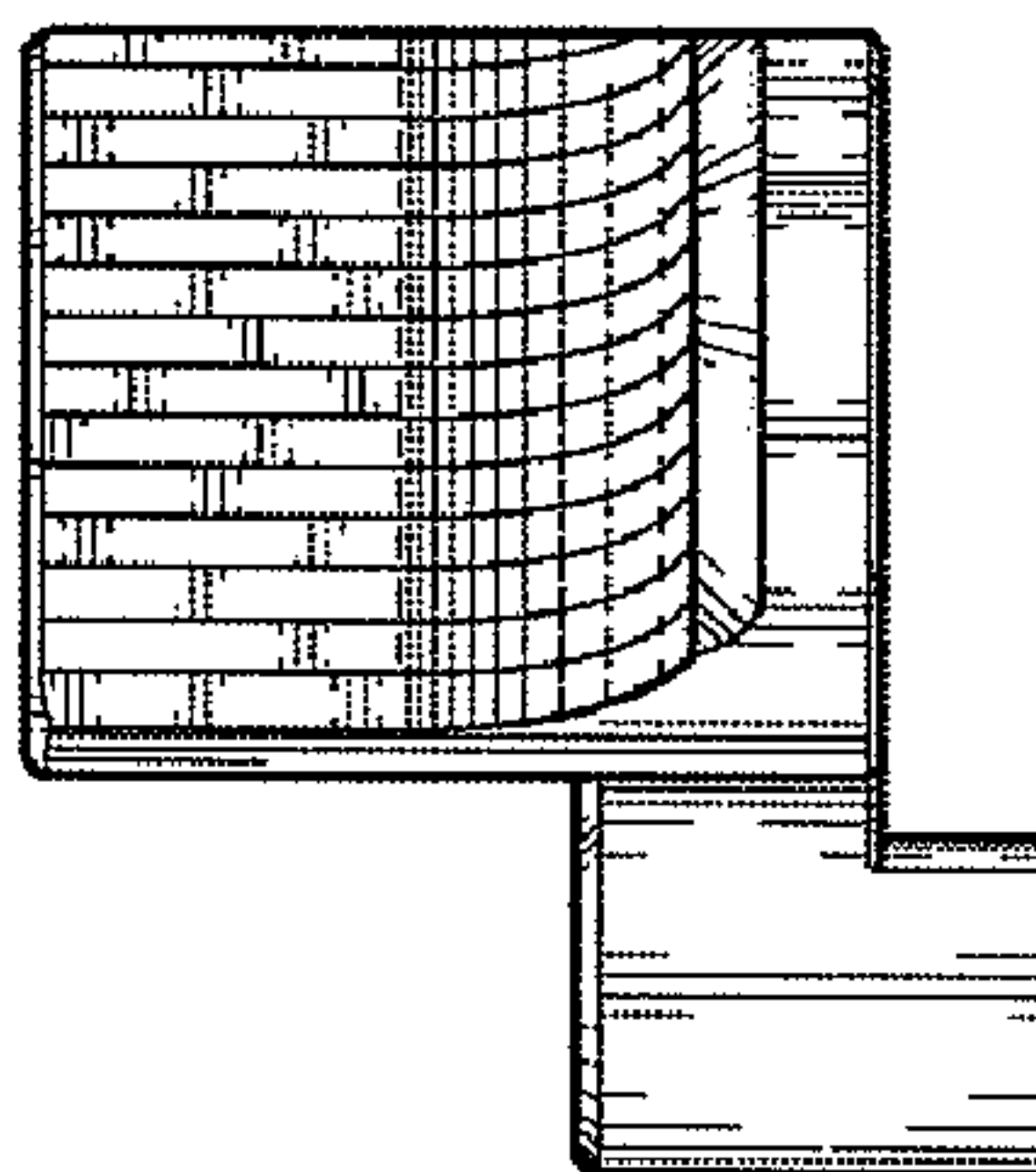


FIG. 12

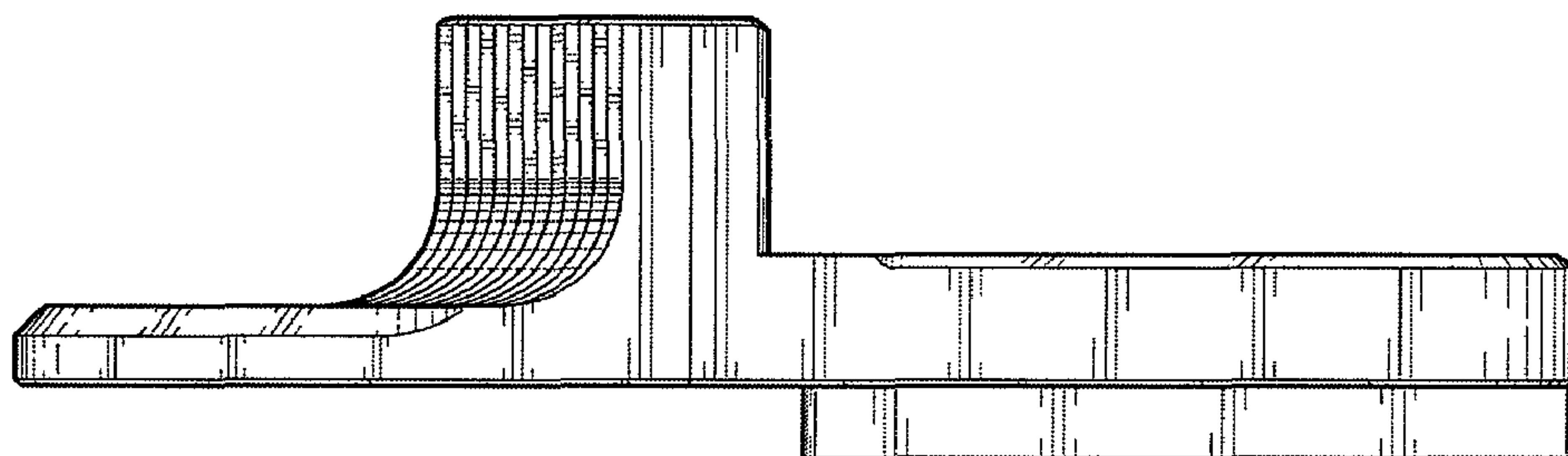


FIG. 13

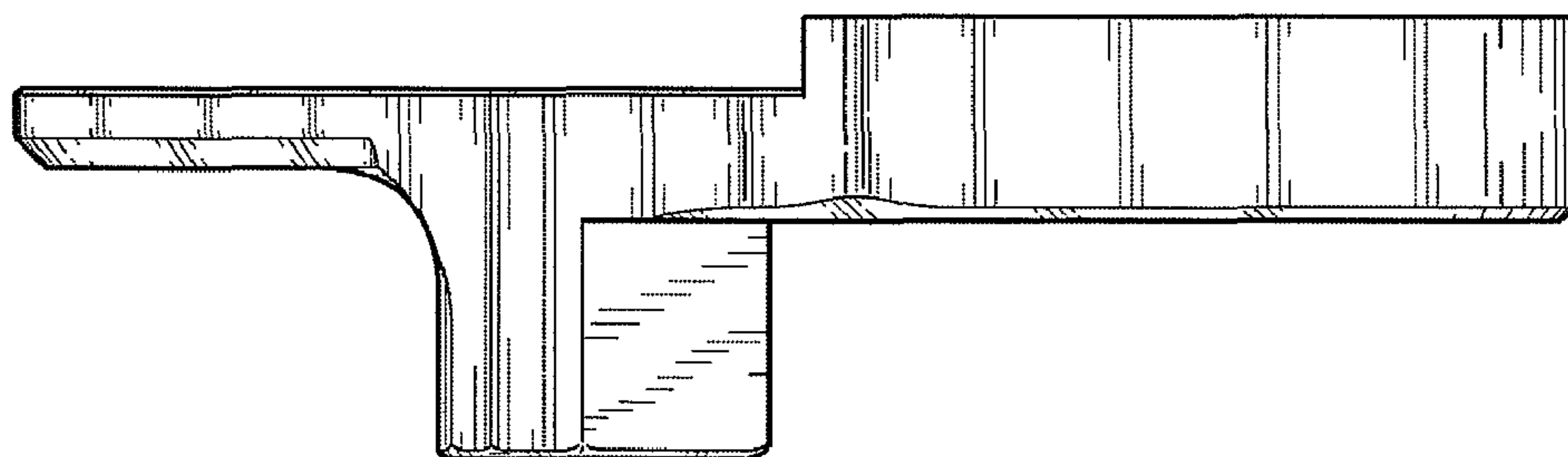


FIG. 14