



US00D658262S

(12) **United States Design Patent**  
**Rogers et al.**

(10) **Patent No.:** **US D658,262 S**

(45) **Date of Patent:** **\*\* Apr. 24, 2012**

(54) **UPPER GRIP PANEL**

(75) Inventors: **William H. Rogers**, St. Augustine, FL (US); **Matthew E. McKendrick**, Jacksonville, FL (US)

(73) Assignee: **Prezine, LLC**, Jacksonville, FL (US)

(\*\*) Term: **14 Years**

(21) Appl. No.: **29/376,131**

(22) Filed: **Oct. 1, 2010**

(51) **LOC (9) Cl.** ..... **22-01**

(52) **U.S. Cl.** ..... **D22/108; D22/104**

(58) **Field of Classification Search** ..... D22/100, D22/104, 108, 199; D21/145, 146, 147, D21/567, 572, 573-575; 42/40, 41, 42.01, 42/42.02, 42.03, 43, 44, 45, 57, 69.01, 71.02, 42/72, 100; 124/31, 37; 362/110, 113  
See application file for complete search history.

(56) **References Cited**

**U.S. PATENT DOCUMENTS**

5,231,237	A *	7/1993	Cupp	42/71.02
D349,938	S *	8/1994	Hogue et al.	D22/108
5,560,136	A *	10/1996	Cupp	42/71.02
6,073,381	A *	6/2000	Farrar et al.	42/71.02
6,363,647	B2 *	4/2002	Kaminski	42/70.11
6,802,148	B1 *	10/2004	Danas	42/72
D562,931	S *	2/2008	Szabo	D22/108
7,467,489	B2 *	12/2008	Gussalli Beretta	42/72
7,603,996	B2 *	10/2009	Wei	124/74
7,748,153	B2 *	7/2010	Beretta	42/71.02
7,827,719	B2 *	11/2010	McGarry	42/70.01
2010/0263254	A1 *	10/2010	Glock	42/71.02
2010/0281741	A1 *	11/2010	Gibson et al.	42/71.02

\* cited by examiner

*Primary Examiner* — Michael Pratt

(74) *Attorney, Agent, or Firm* — Arthur G. Yeager

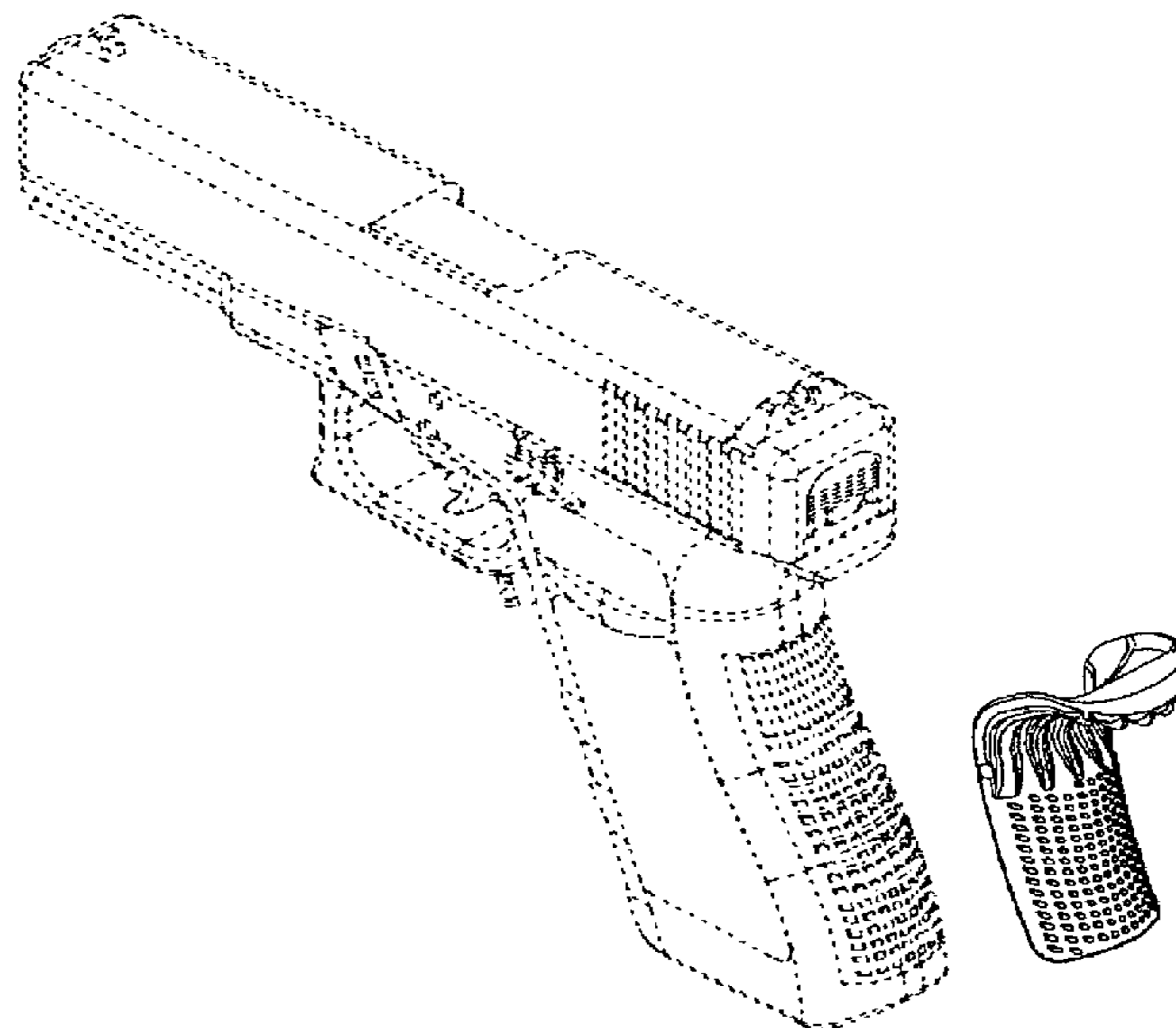
(57) **CLAIM**

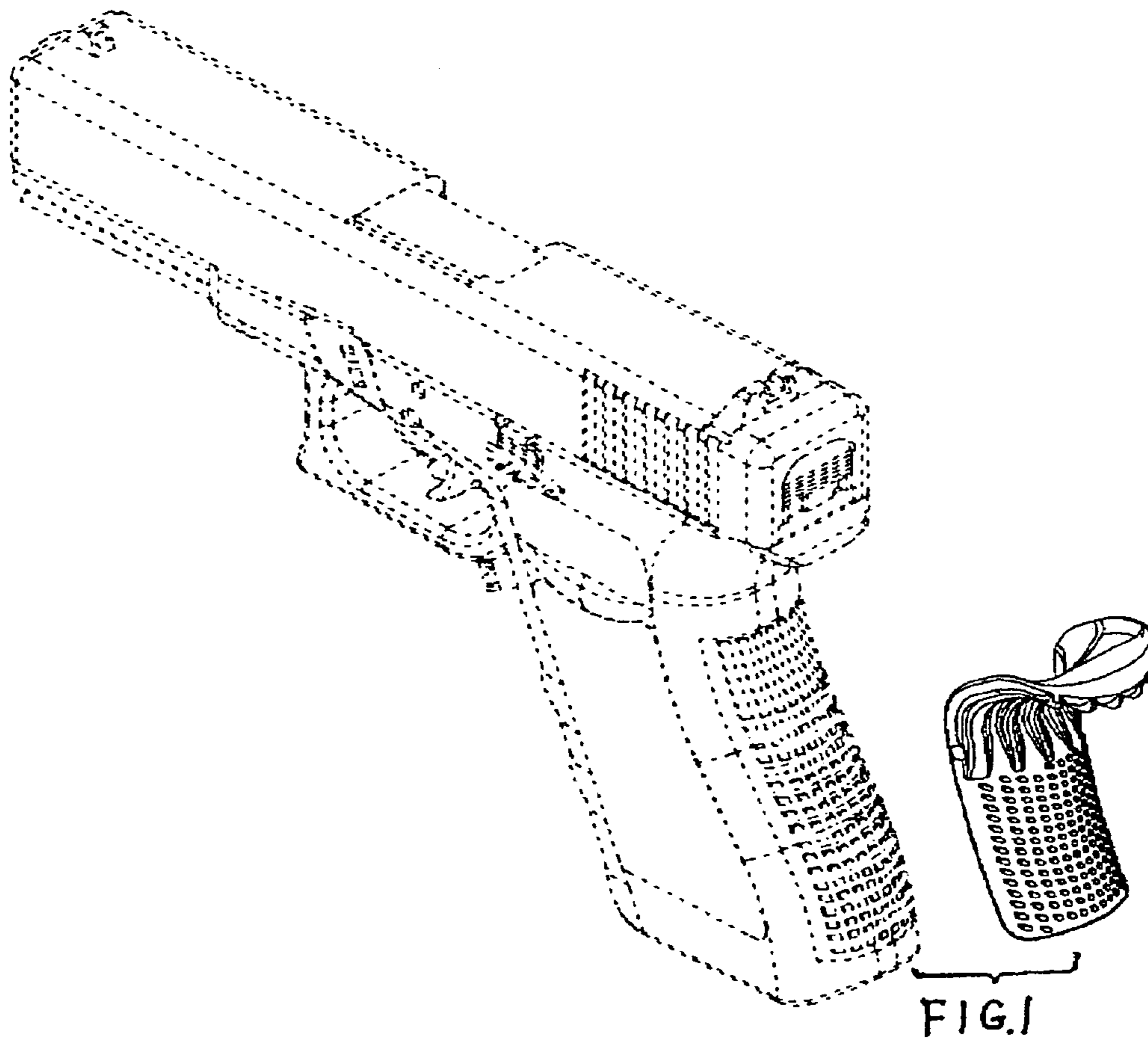
The ornamental design for an upper grip panel, as shown and described.

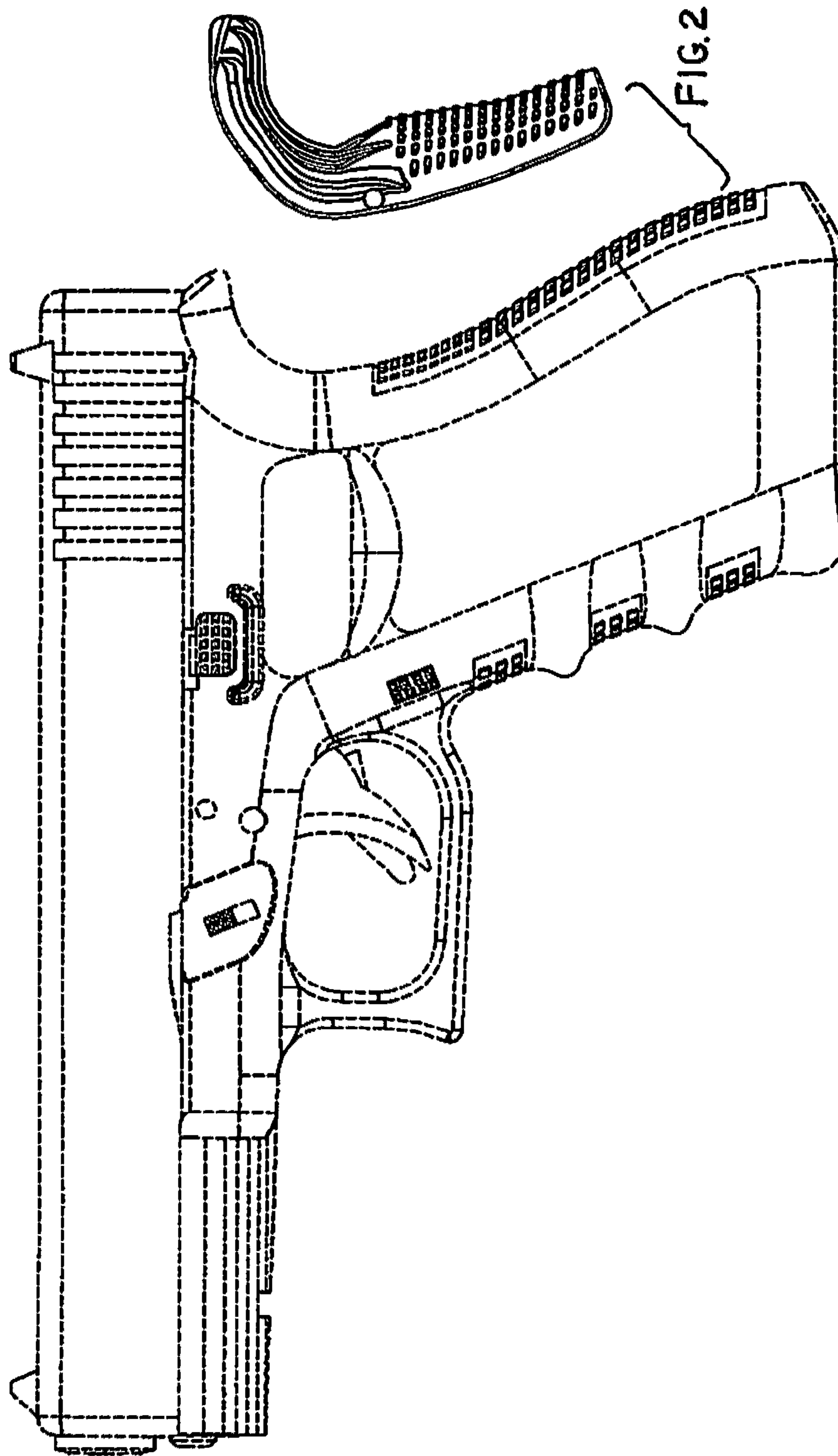
**DESCRIPTION**

FIG. 1 is a top front, rear perspective view of an upper grip panel, in accord with a first embodiment of this invention, shown in an environment of use;  
FIG. 2 is a right side elevational view thereof;  
FIG. 3 is an enlarged view thereof;  
FIG. 4 is a top plan view thereof;  
FIG. 5 is a bottom plan view thereof;  
FIG. 6 is a rear perspective view thereof;  
FIG. 7 is a rear elevational view thereof;  
FIG. 8 is a front, left elevational view thereof;  
FIG. 9 is a left side elevational view thereof, the right side elevational view being a mirror image thereof;  
FIG. 10 is a top, front, rear perspective view of an upper grip panel, in accord with a second embodiment of this invention, shown in an environment of use;  
FIG. 11 is a right side elevational view thereof;  
FIG. 12 is an enlarged view thereof;  
FIG. 13 is a top plan view thereof;  
FIG. 14 is a bottom plan view thereof;  
FIG. 15 is a rear perspective view thereof;  
FIG. 16 is a rear elevational view thereof;  
FIG. 17 is a front, left elevational view thereof; and,  
FIG. 18 is a left side elevational view thereof; the right side elevational view being a mirror image thereof.  
The broken lines in FIGS. 1, 2, 10 and 11 illustrate environment in which this design is to be used and which forms no part of the design or the claimed invention.

**1 Claim, 7 Drawing Sheets**







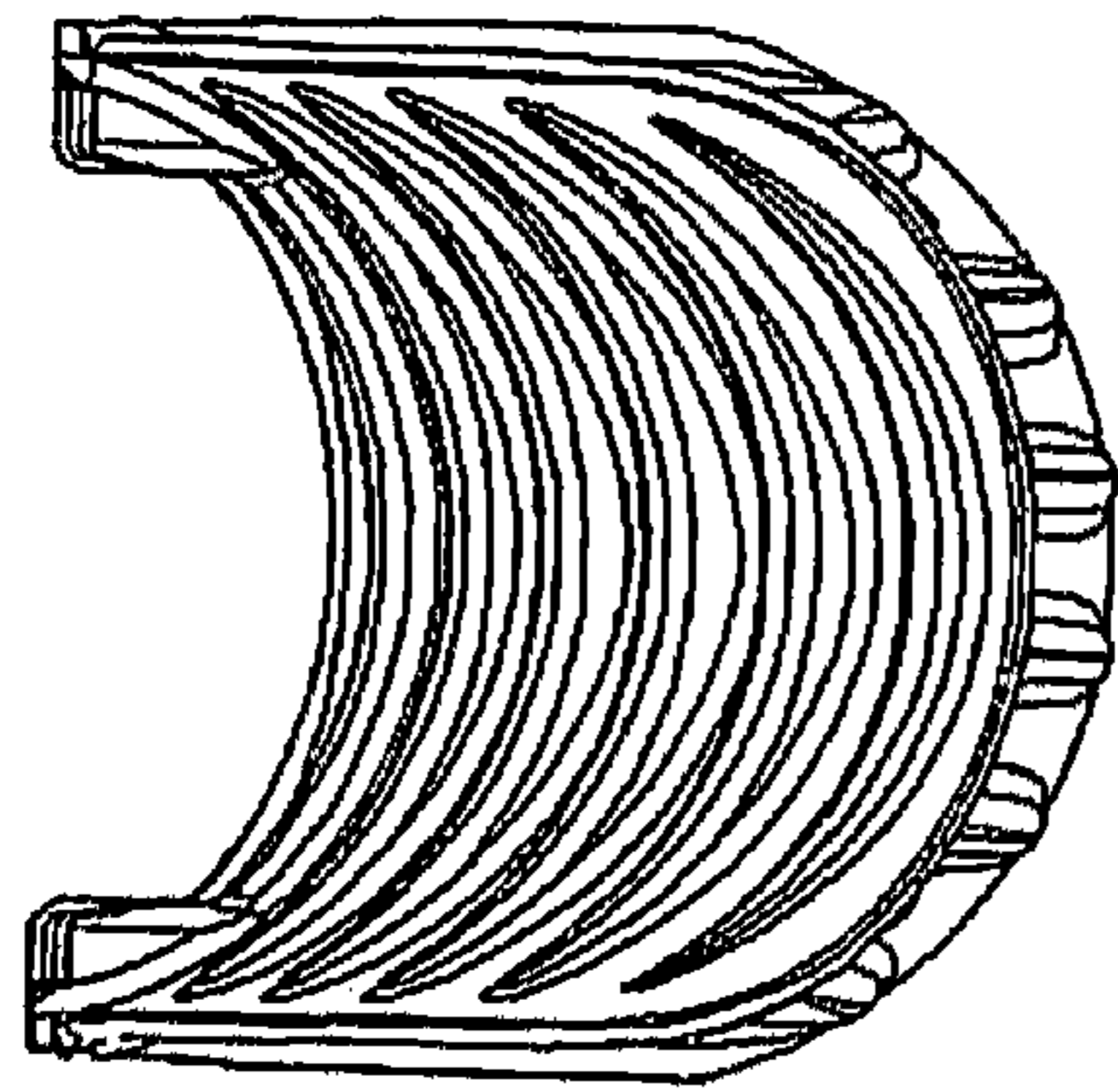


FIG. 5

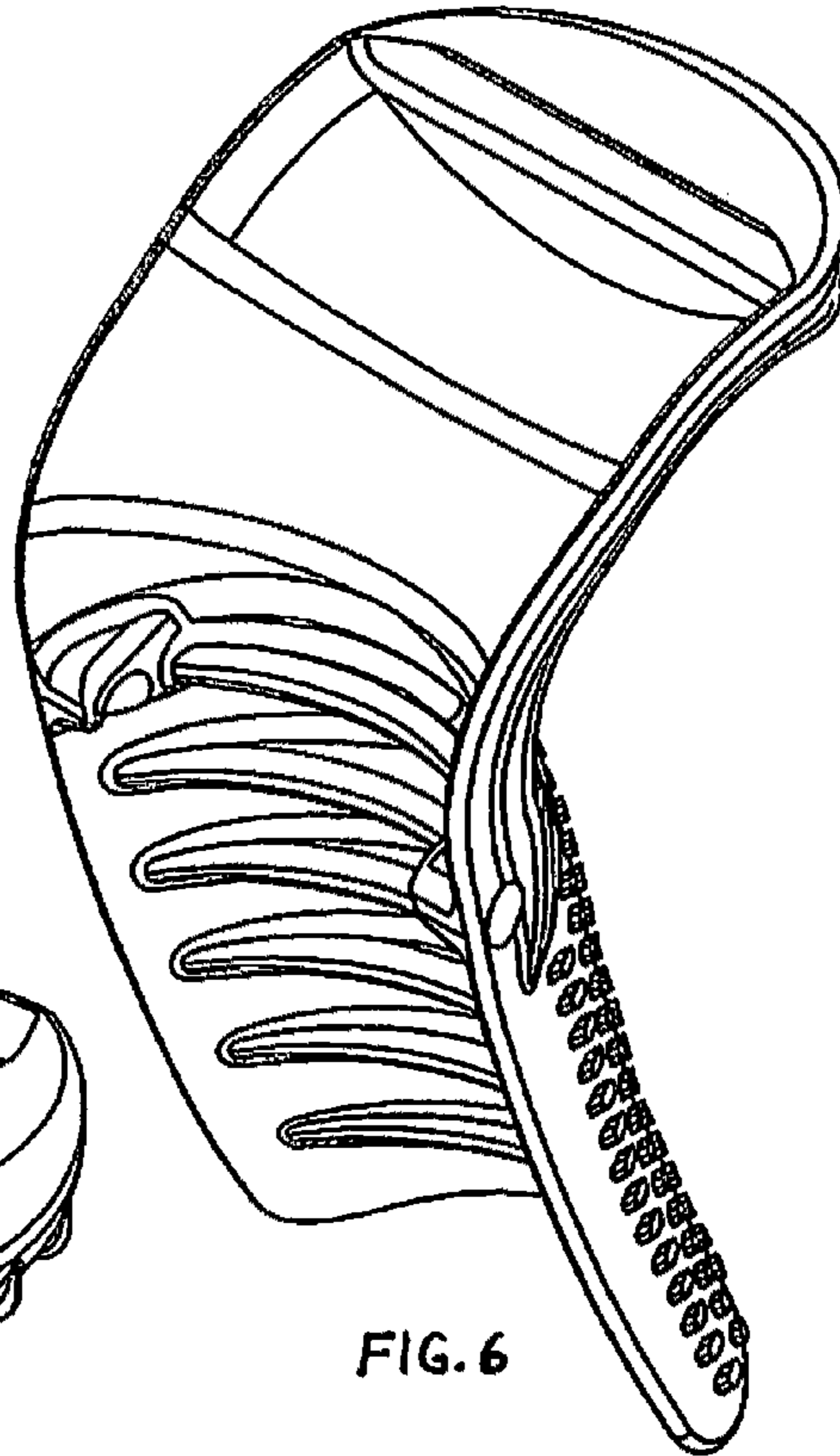


FIG. 6

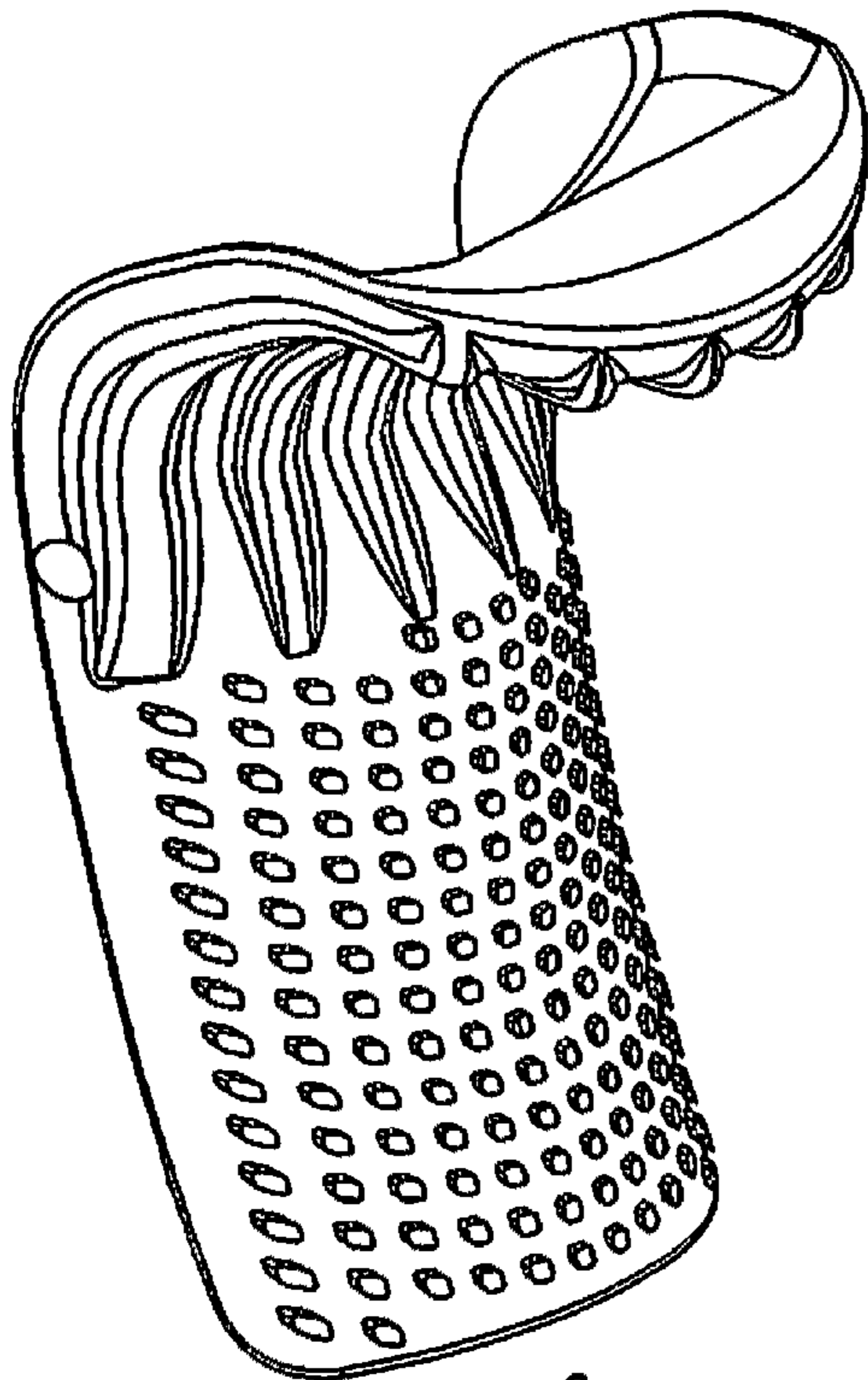


FIG. 3

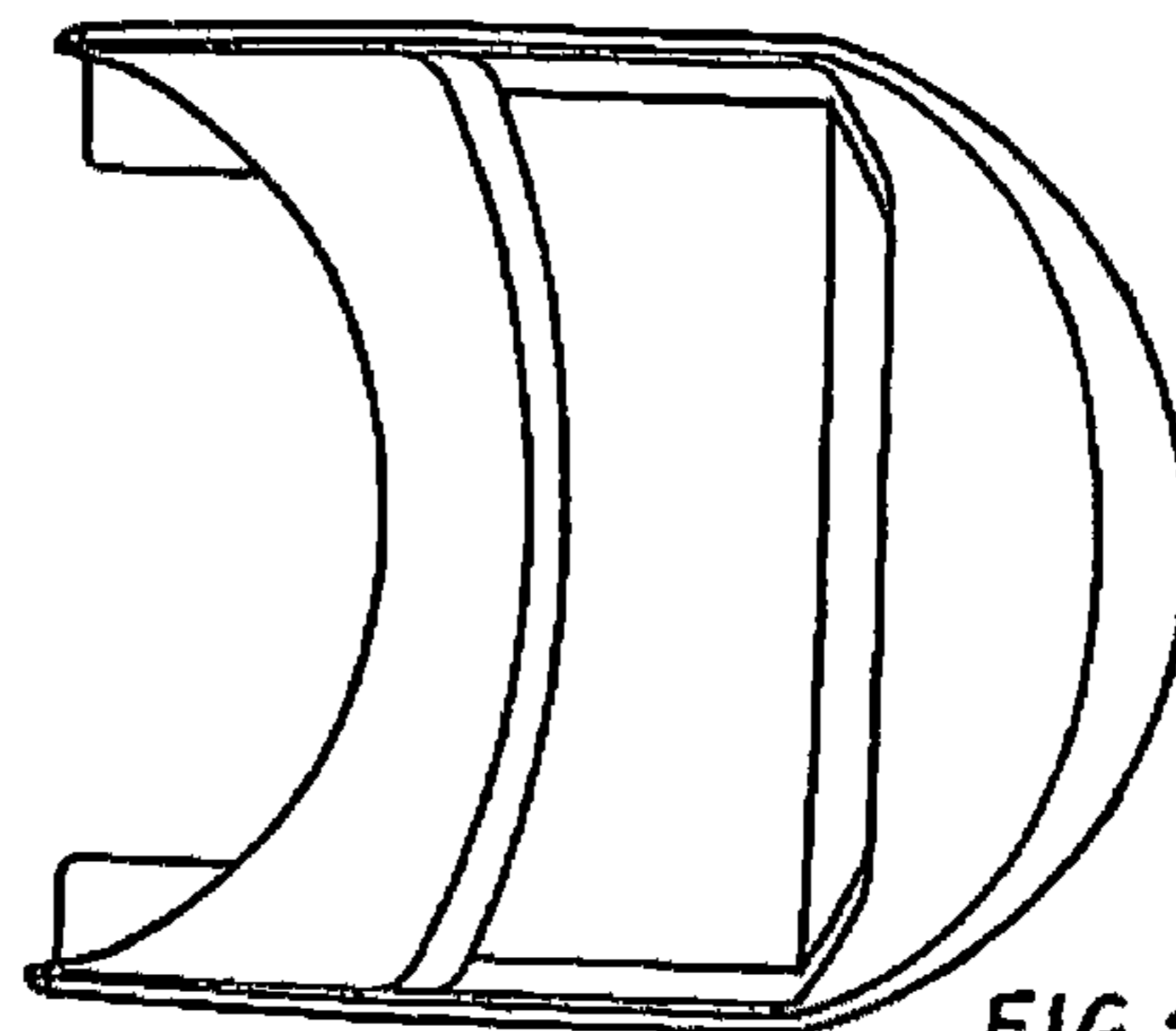


FIG. 4

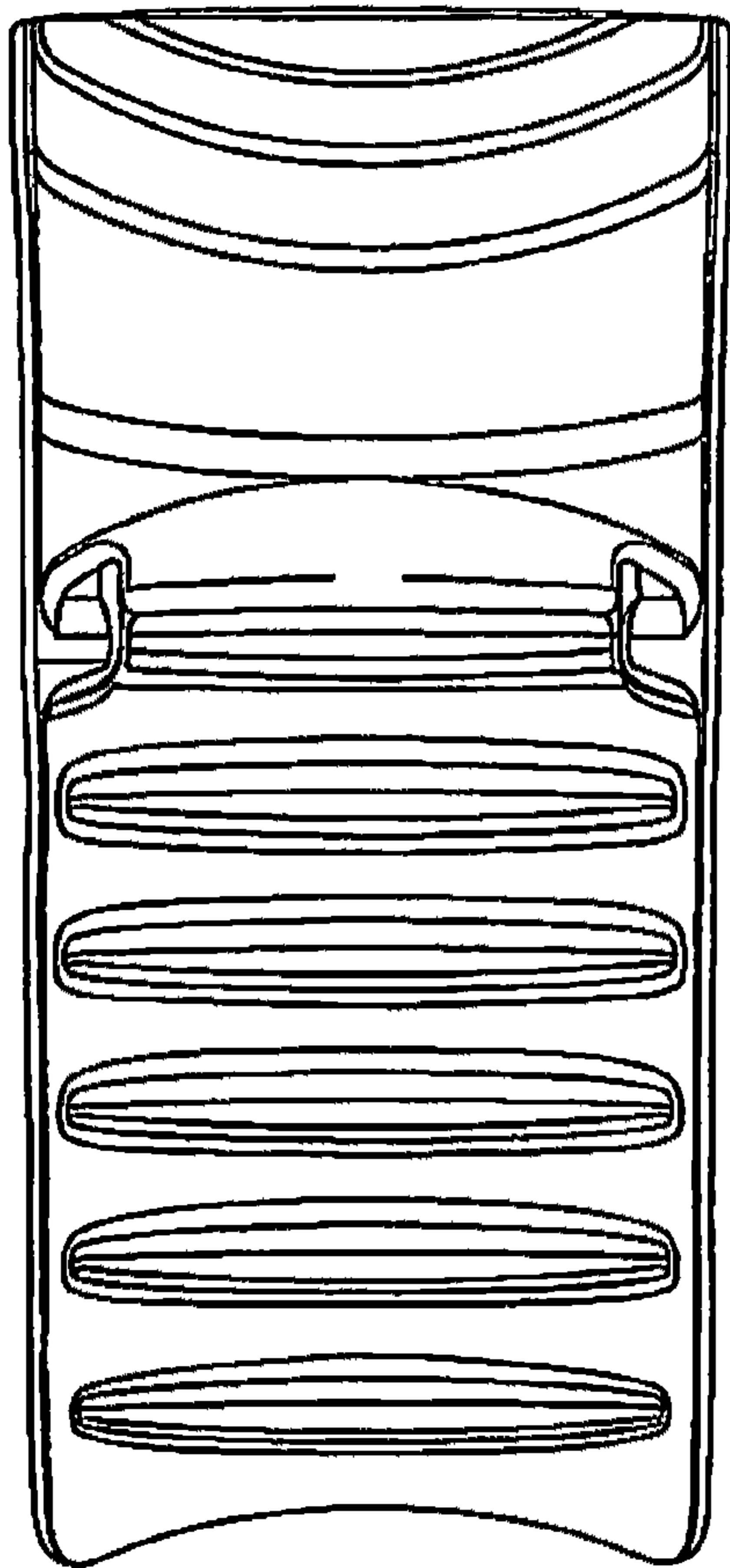


FIG. 7

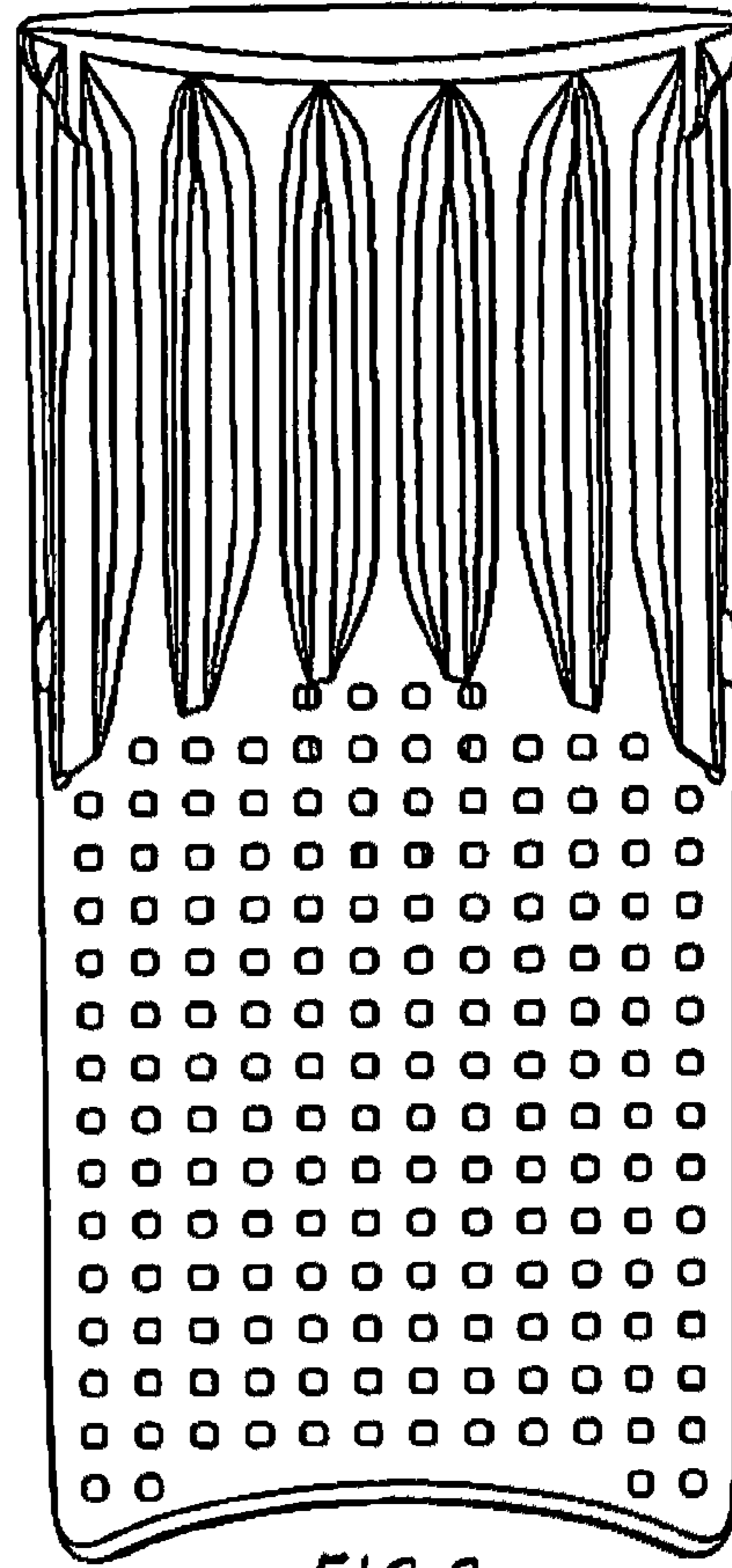


FIG. 8

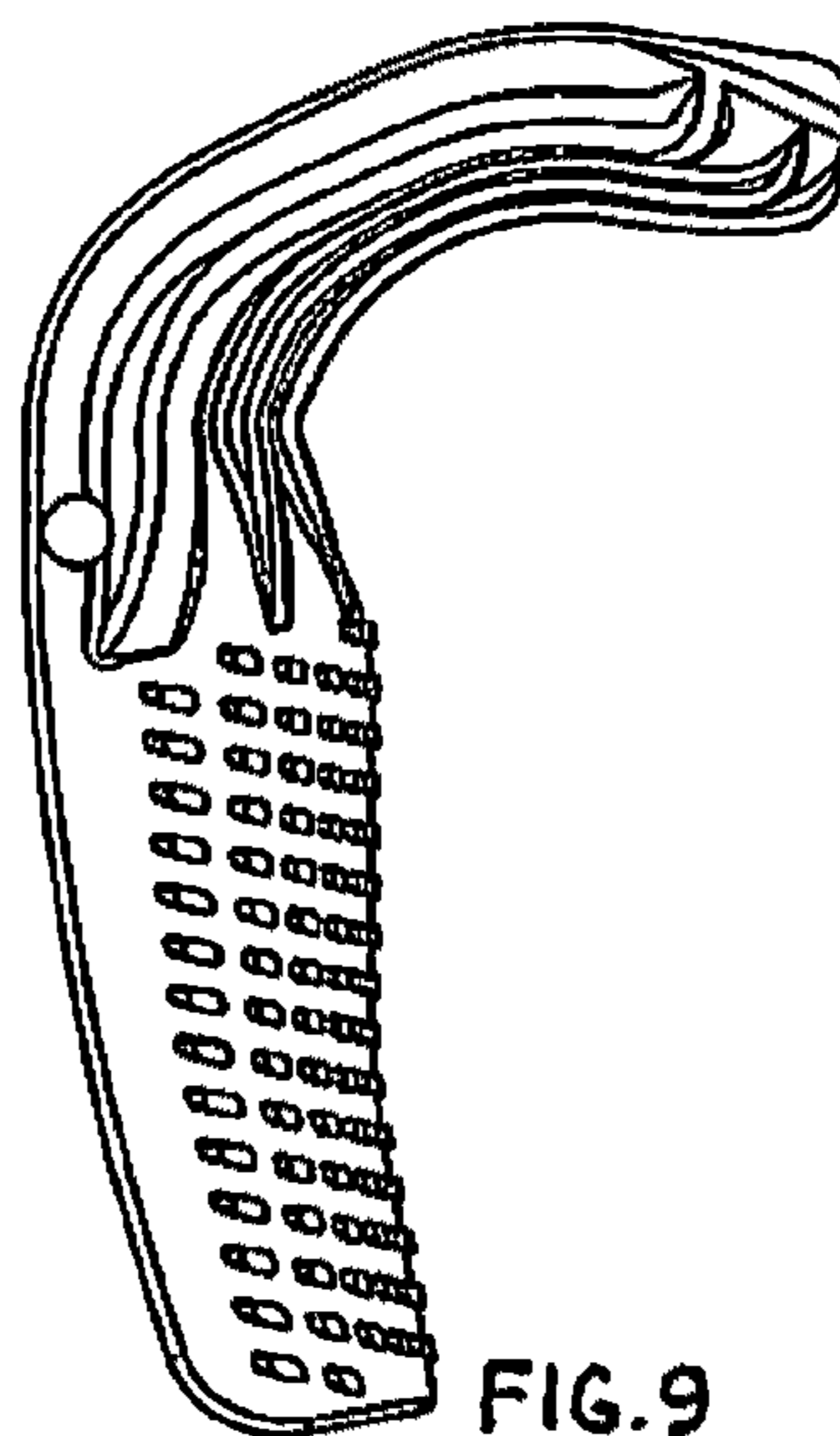
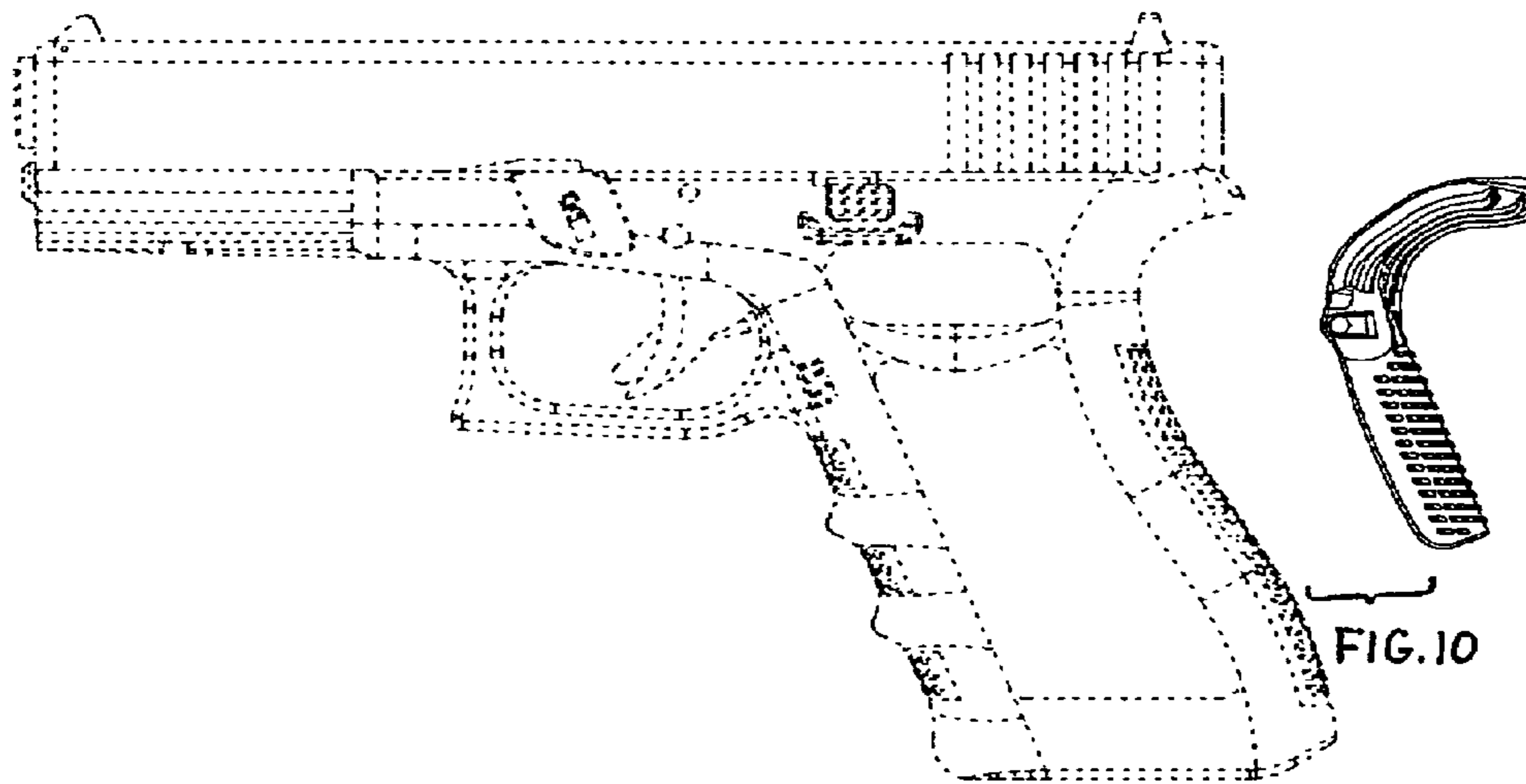
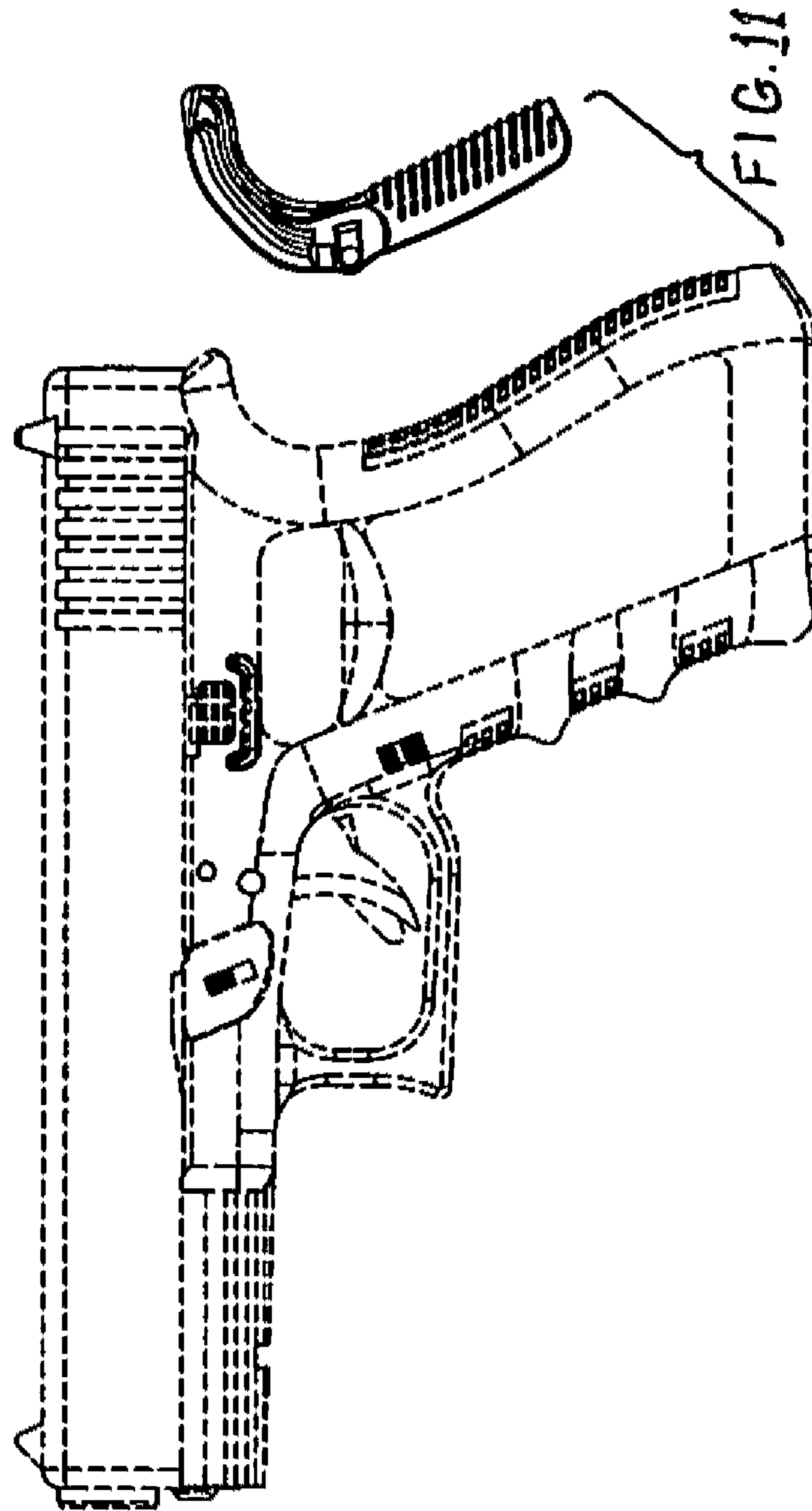


FIG. 9





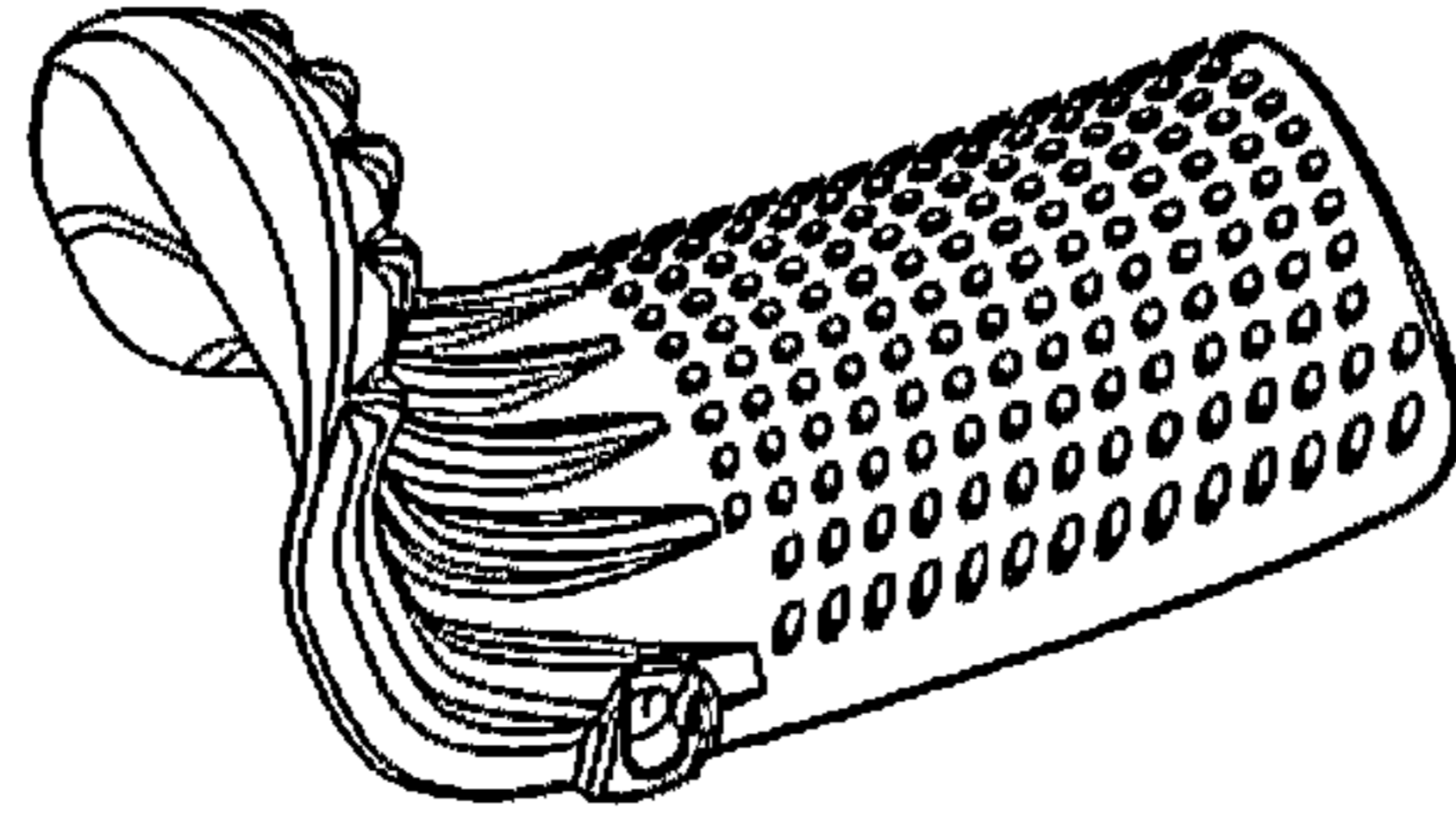


FIG. 12

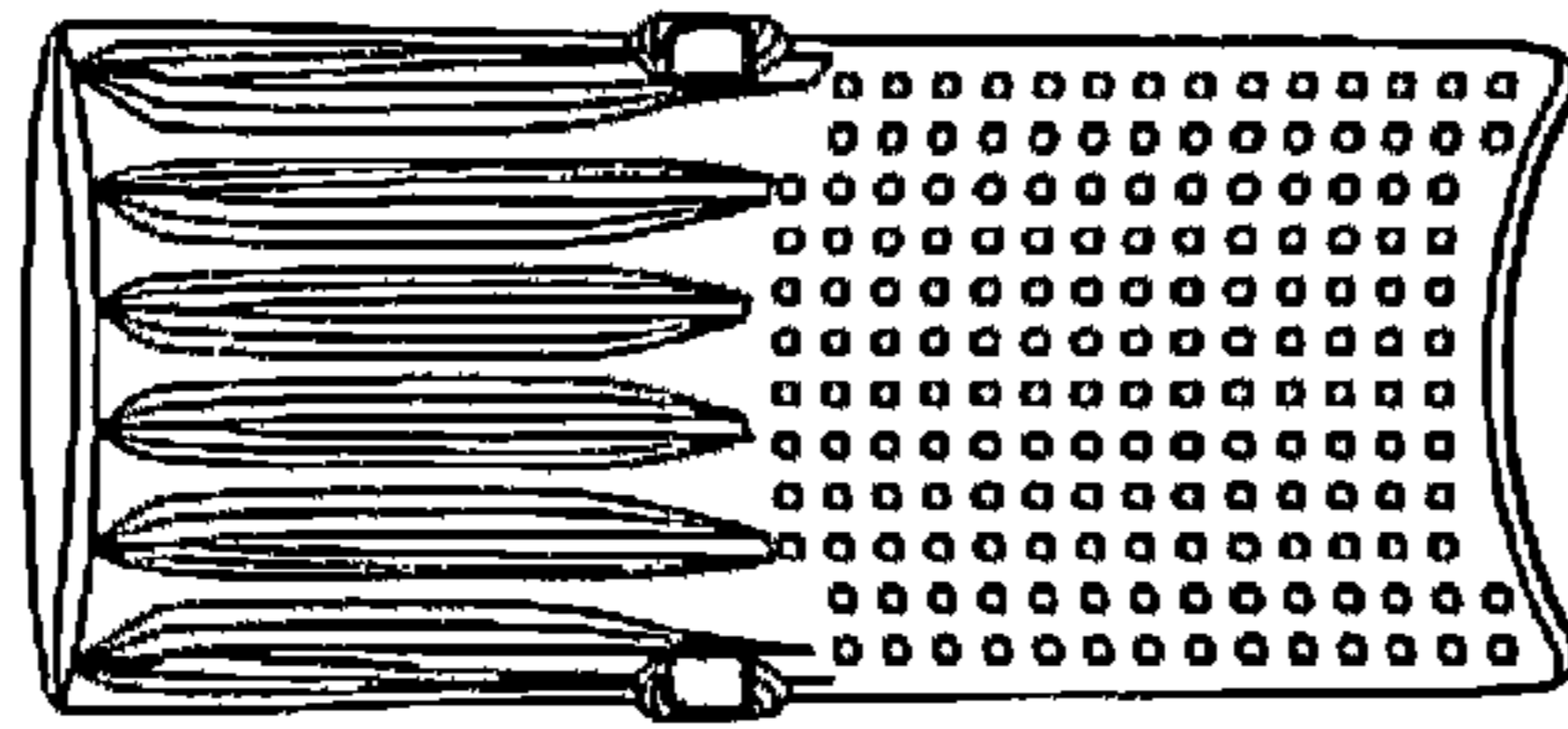


FIG. 17

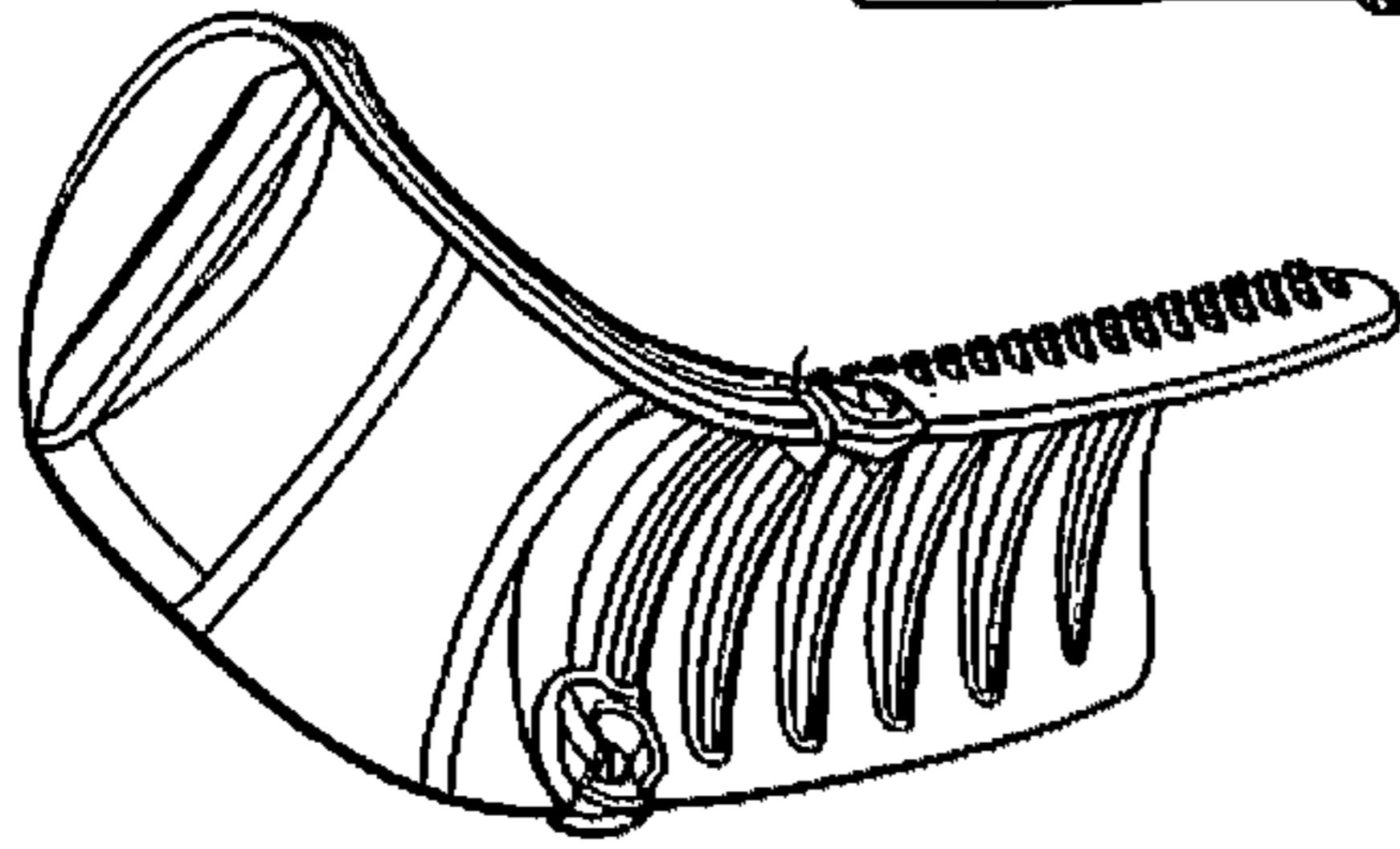


FIG. 15

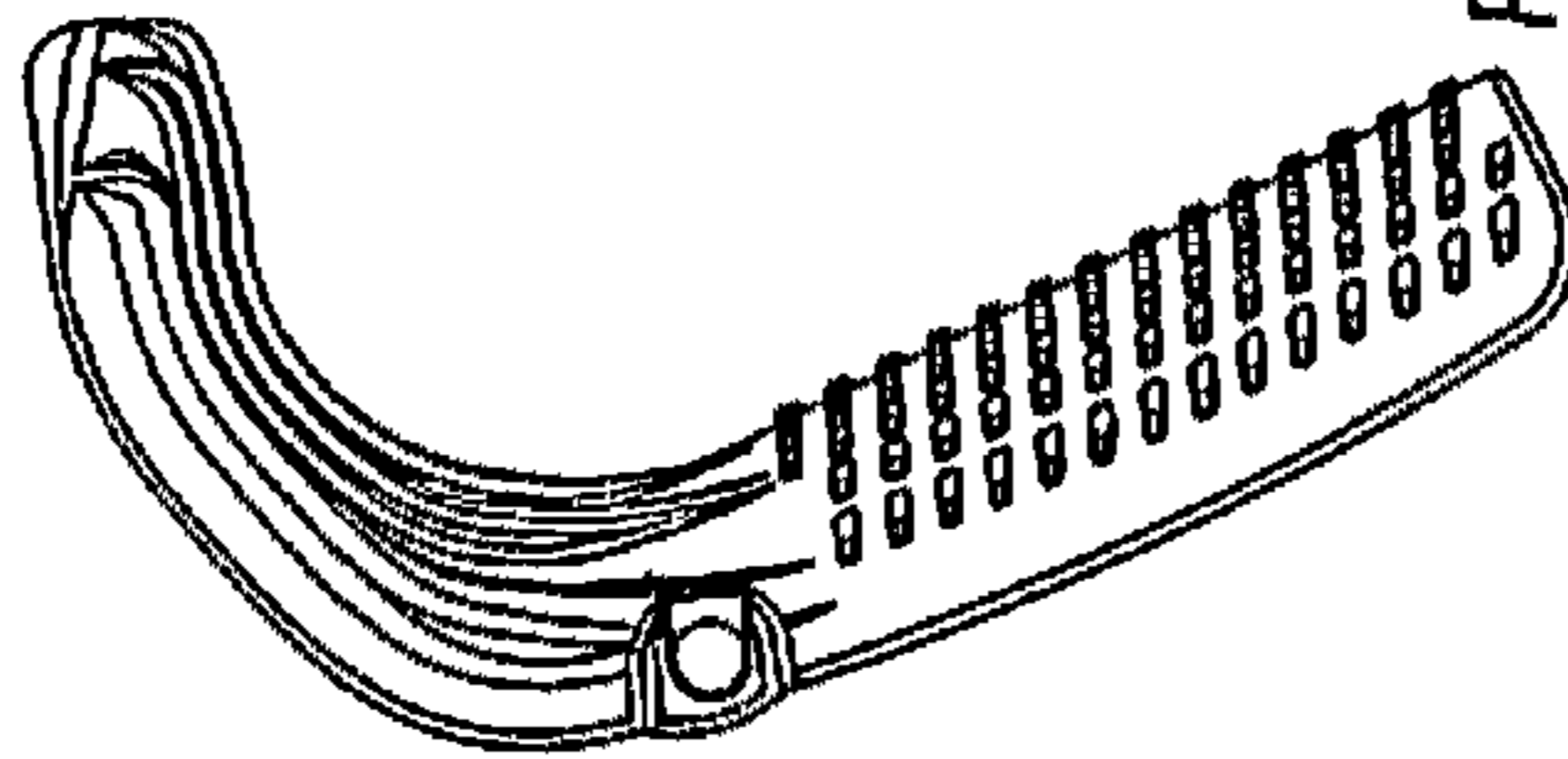


FIG. 18

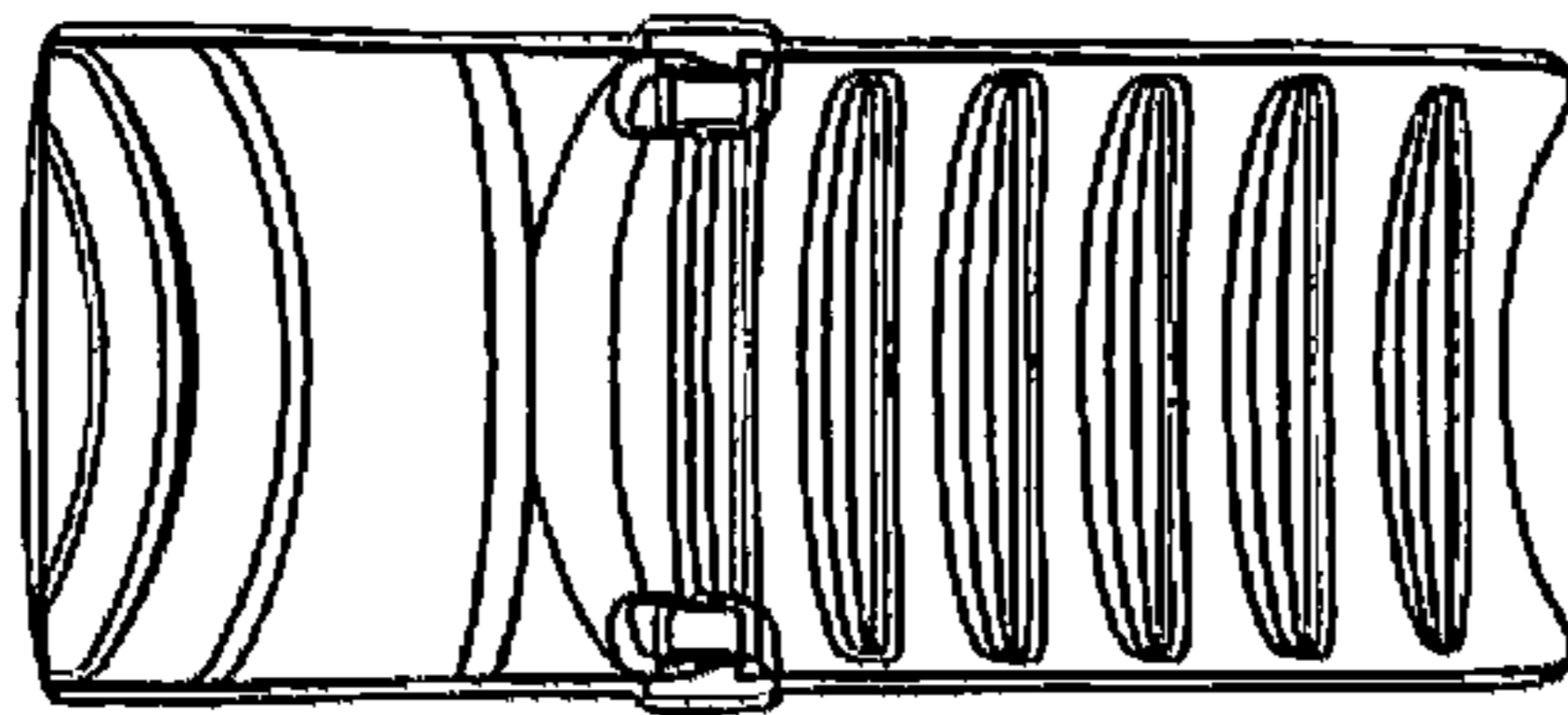


FIG. 16

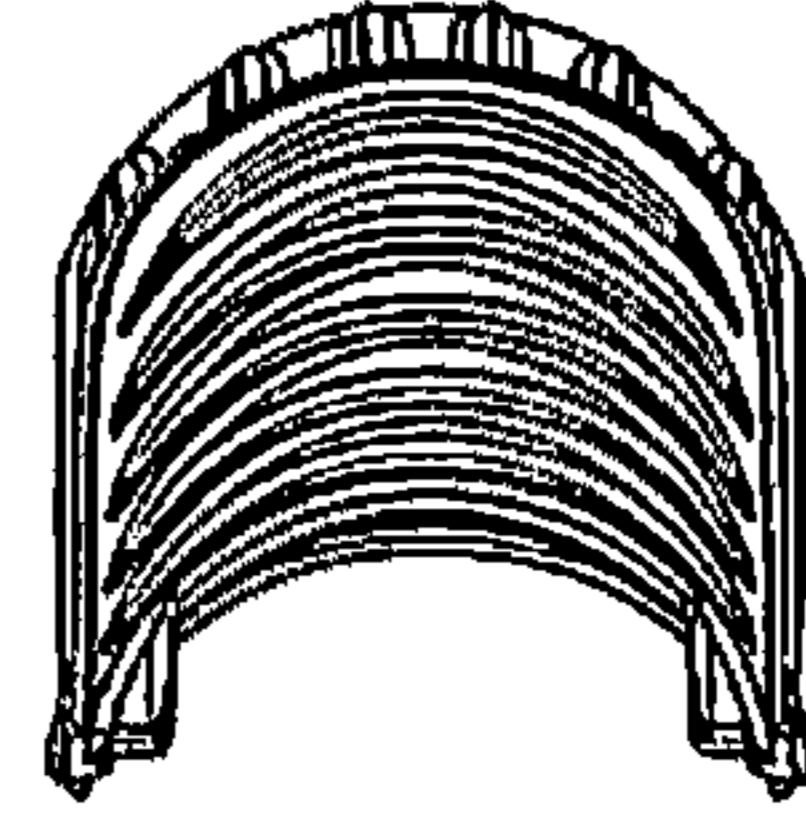


FIG. 14

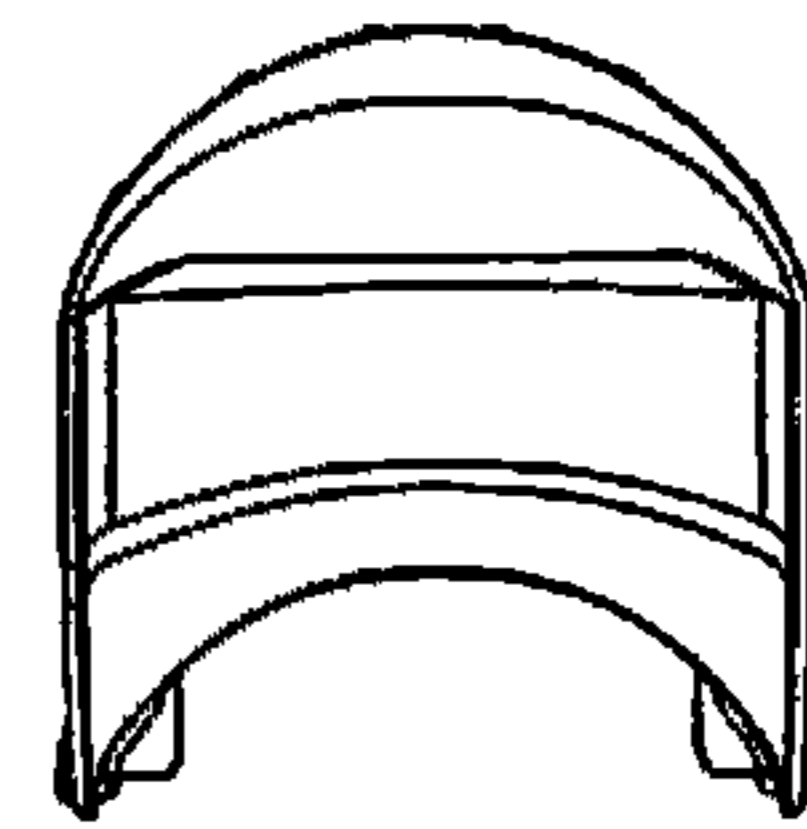


FIG. 13