



US00D658260S

(12) **United States Design Patent**
Huang et al.

(10) **Patent No.:** **US D658,260 S**

(45) **Date of Patent:** **** Apr. 24, 2012**

(54) **CONTROLLER TRIGGERING DEVICE**

(75) Inventors: **Ennin Huang**, Santa Clara, CA (US);
Dana Chung, Foster City, CA (US)

(73) Assignee: **Sony Computer Entertainment America Inc.**, Foster City, CA (US)

(**) Term: **14 Years**

(21) Appl. No.: **29/379,249**

(22) Filed: **Nov. 16, 2010**

(51) **LOC (9) Cl.** **22-01**

(52) **U.S. Cl.** **D22/103; D14/418**

(58) **Field of Classification Search** D22/103-108;
D14/399-402, 418, 496; D21/57-575; 273/148 B,
273/440, 459, 460; 463/1, 30-36, 46, 47;
345/156, 161; 434/16, 18, 19, 20, 24

See application file for complete search history.

(56) **References Cited**

U.S. PATENT DOCUMENTS

D206,669 S * 1/1967 Hirsch D21/573
D286,308 S * 10/1986 Mayer et al. D21/573
D338,690 S * 8/1993 Smith, III et al. D14/418

D374,463 S * 10/1996 Butler et al. D14/418
7,200,966 B2 * 4/2007 Gooder 42/71.01
D622,802 S * 8/2010 Fitzpatrick et al. D22/103
D643,498 S * 8/2011 Burt D22/111

* cited by examiner

Primary Examiner — Michael Pratt

(74) *Attorney, Agent, or Firm* — Martine Penilla Group, LLP

(57) **CLAIM**

The ornamental design for a controller triggering device, as shown and described.

DESCRIPTION

FIG. 1 is a perspective view of our controller triggering device design;

FIG. 2 is a front view thereof;

FIG. 3 is a rear view thereof;

FIG. 4 is a right side view thereof;

FIG. 5 is a left right side view thereof;

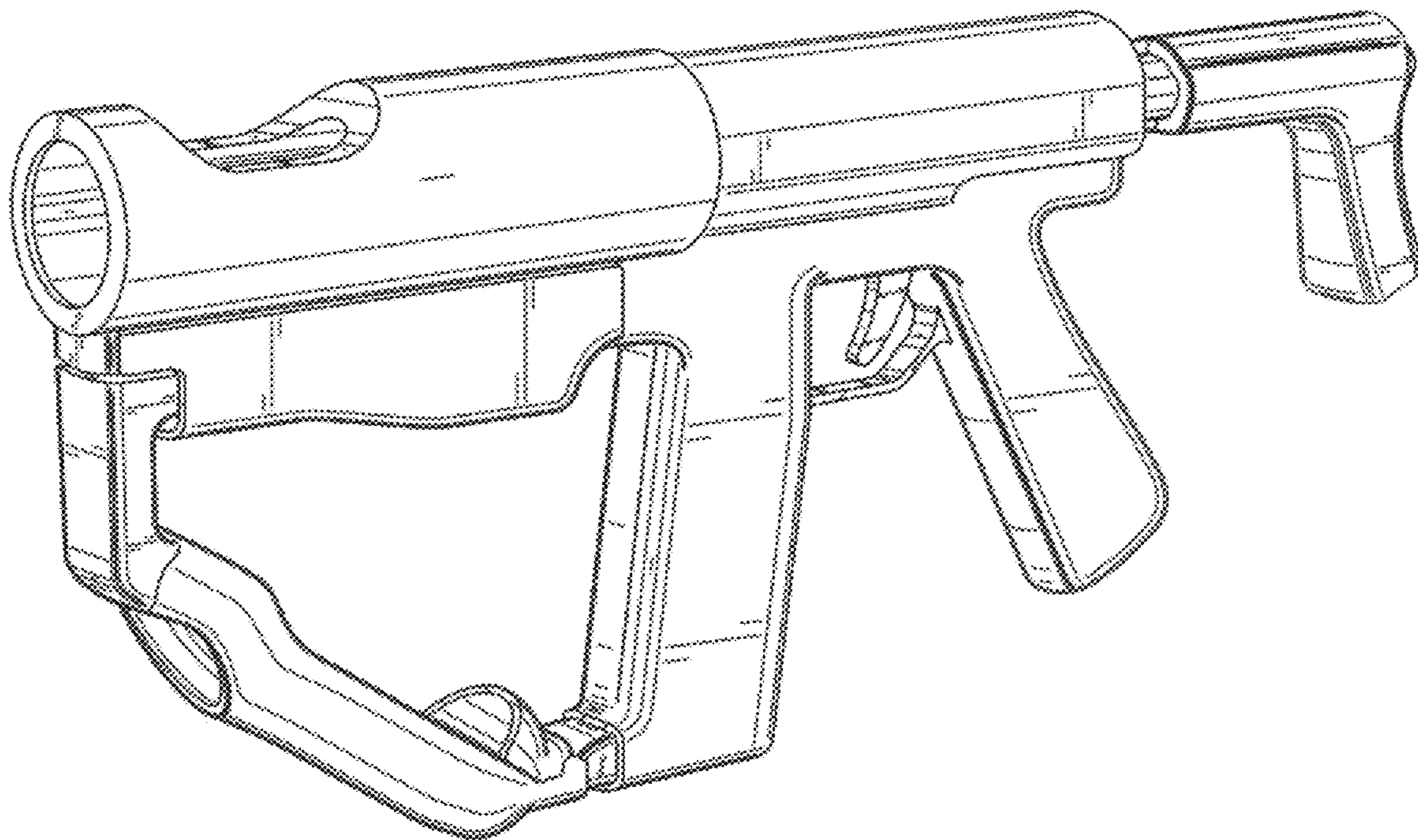
FIG. 6 is a top view thereof;

FIG. 7 is a bottom view thereof; and,

FIG. 8 is another perspective view of our controller triggering device.

The broken-lines form no part of the claimed design.

1 Claim, 6 Drawing Sheets



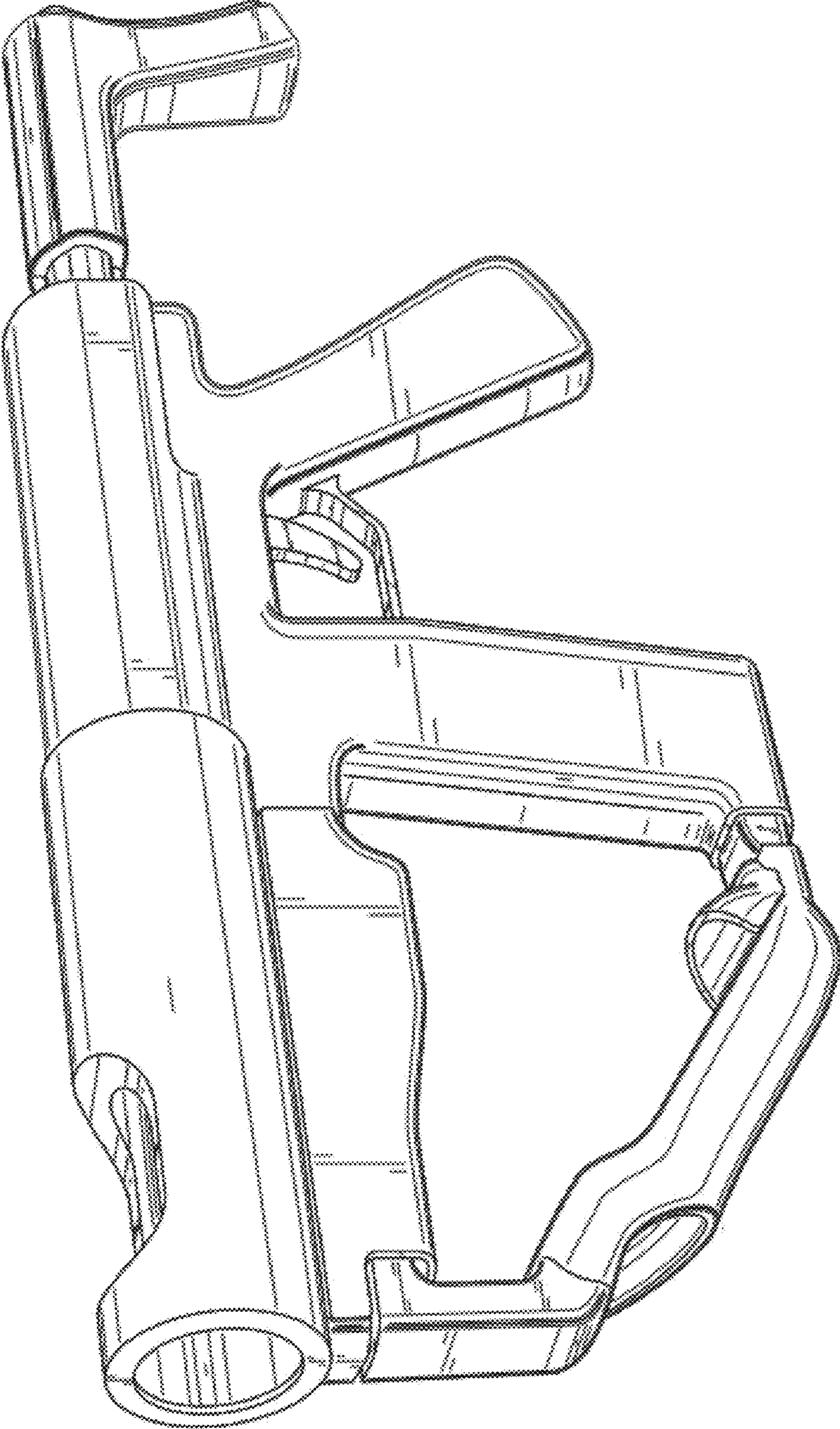


FIG. 1

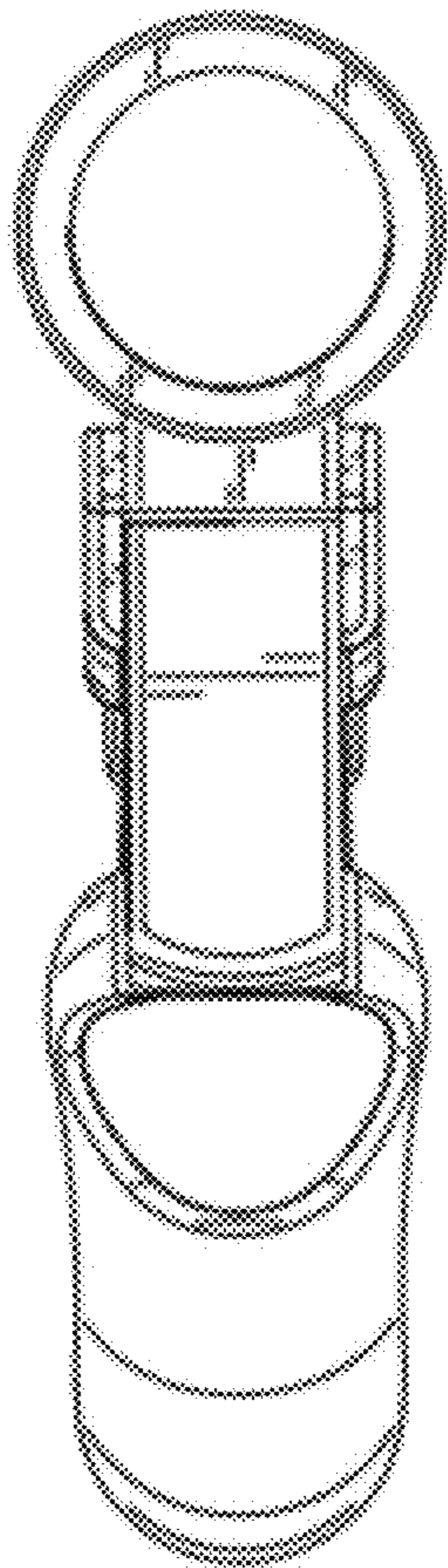


FIG. 2

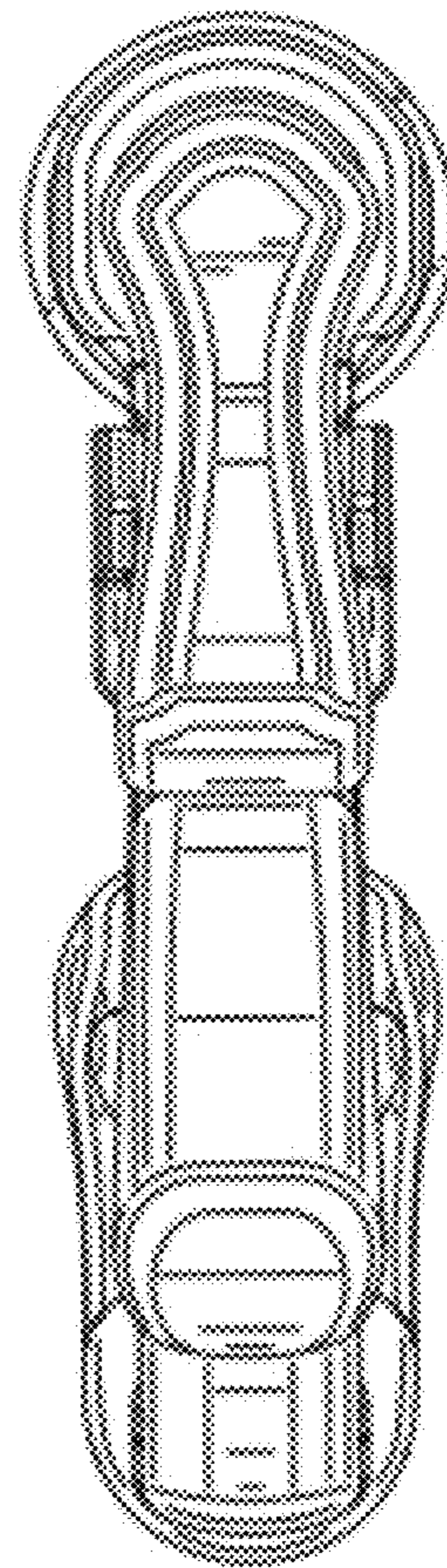


FIG. 3

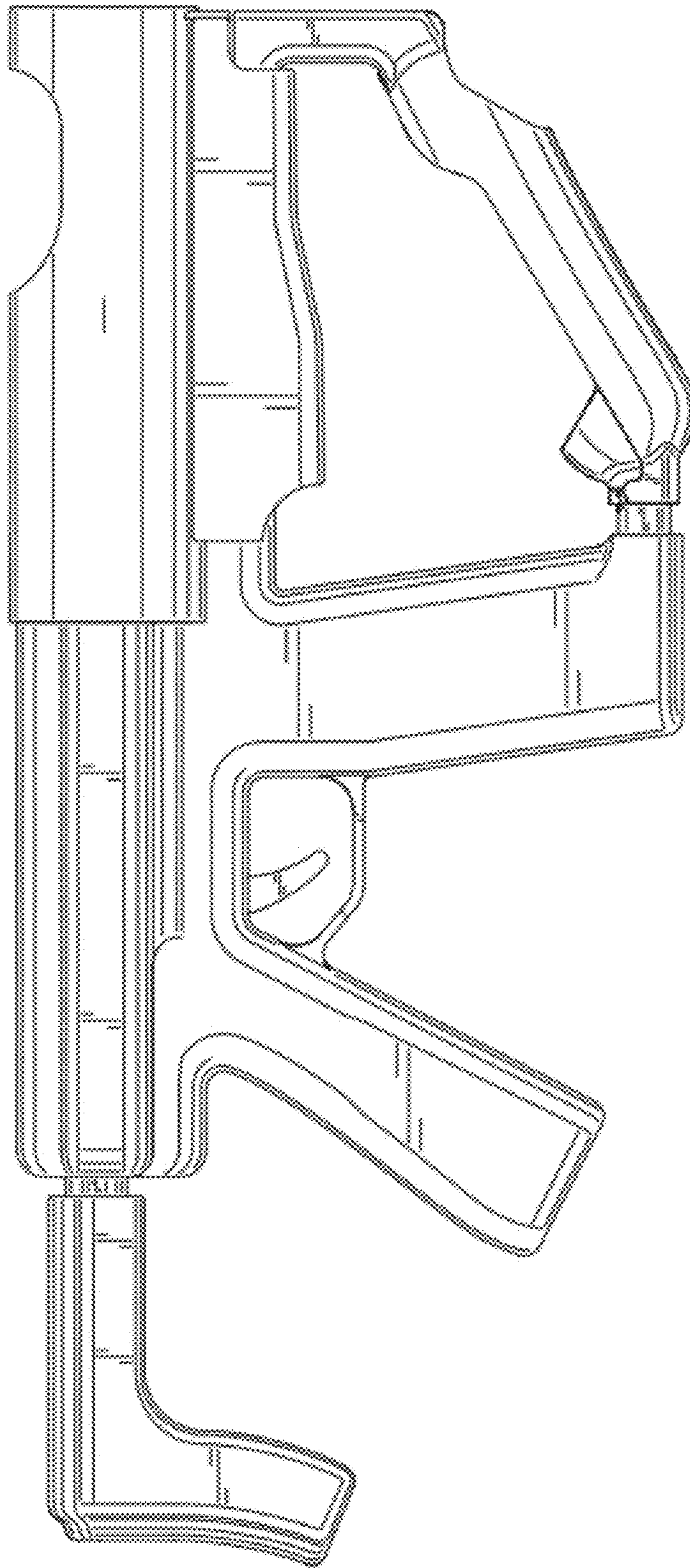


FIG. 4

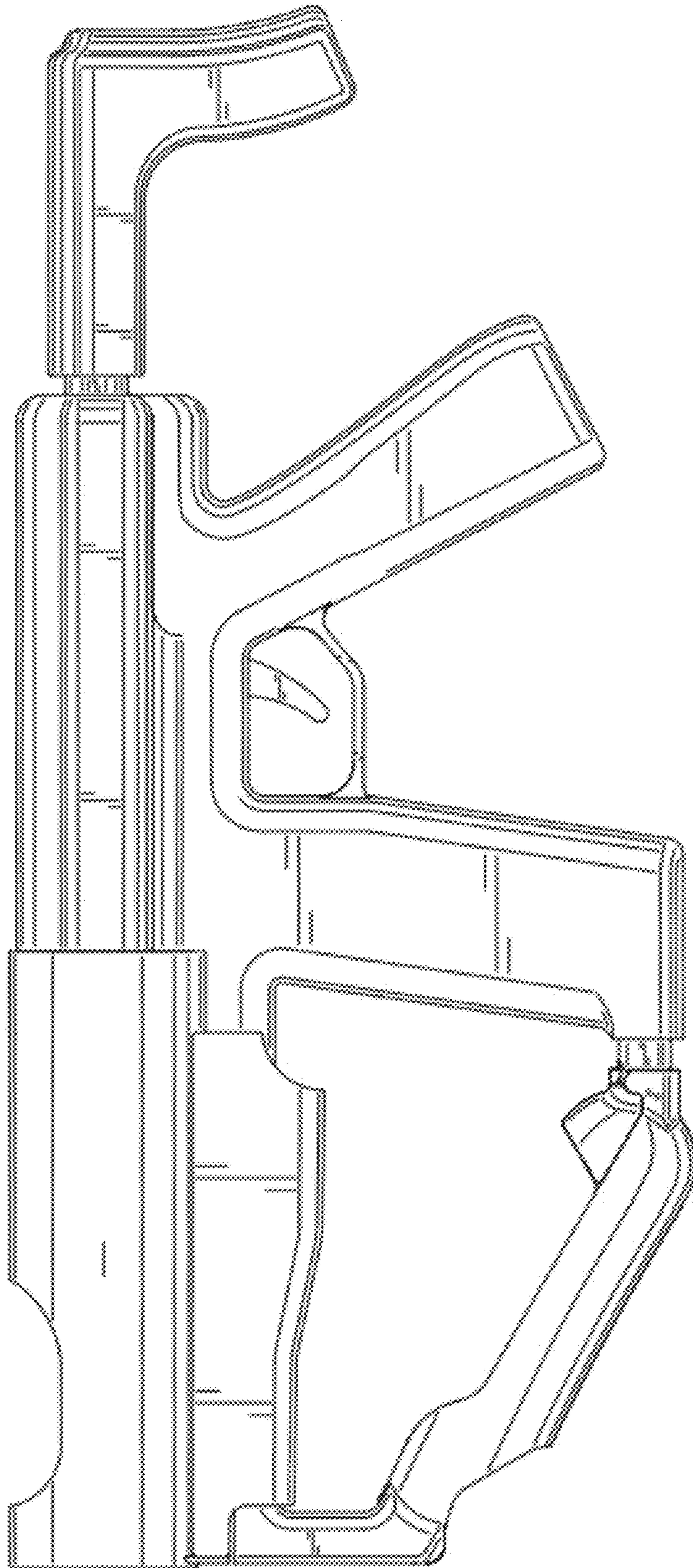


FIG. 5

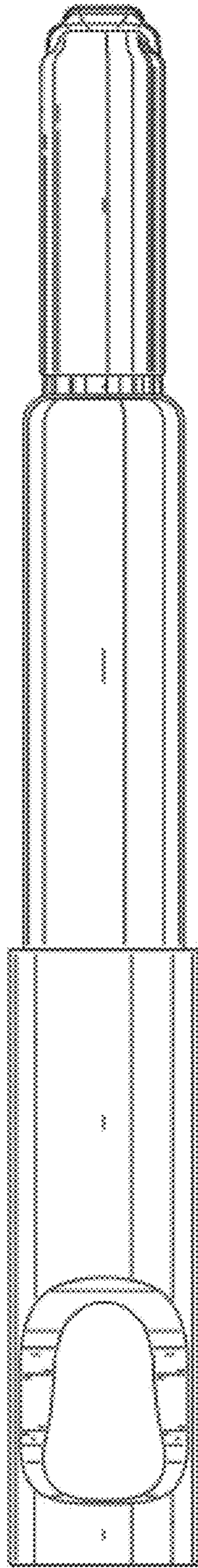


FIG. 6

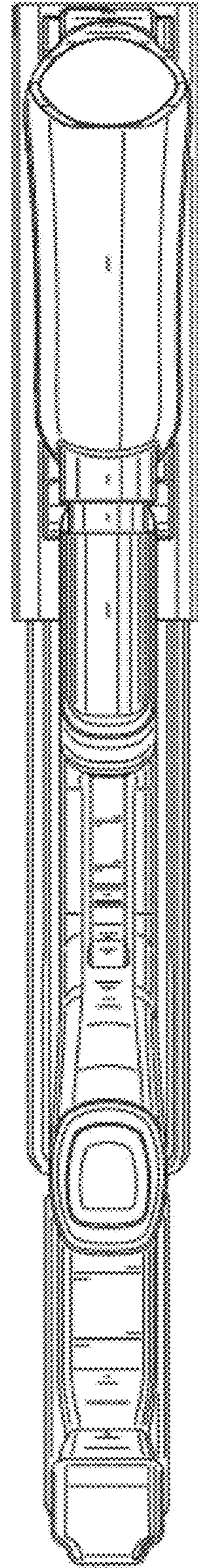


FIG. 7

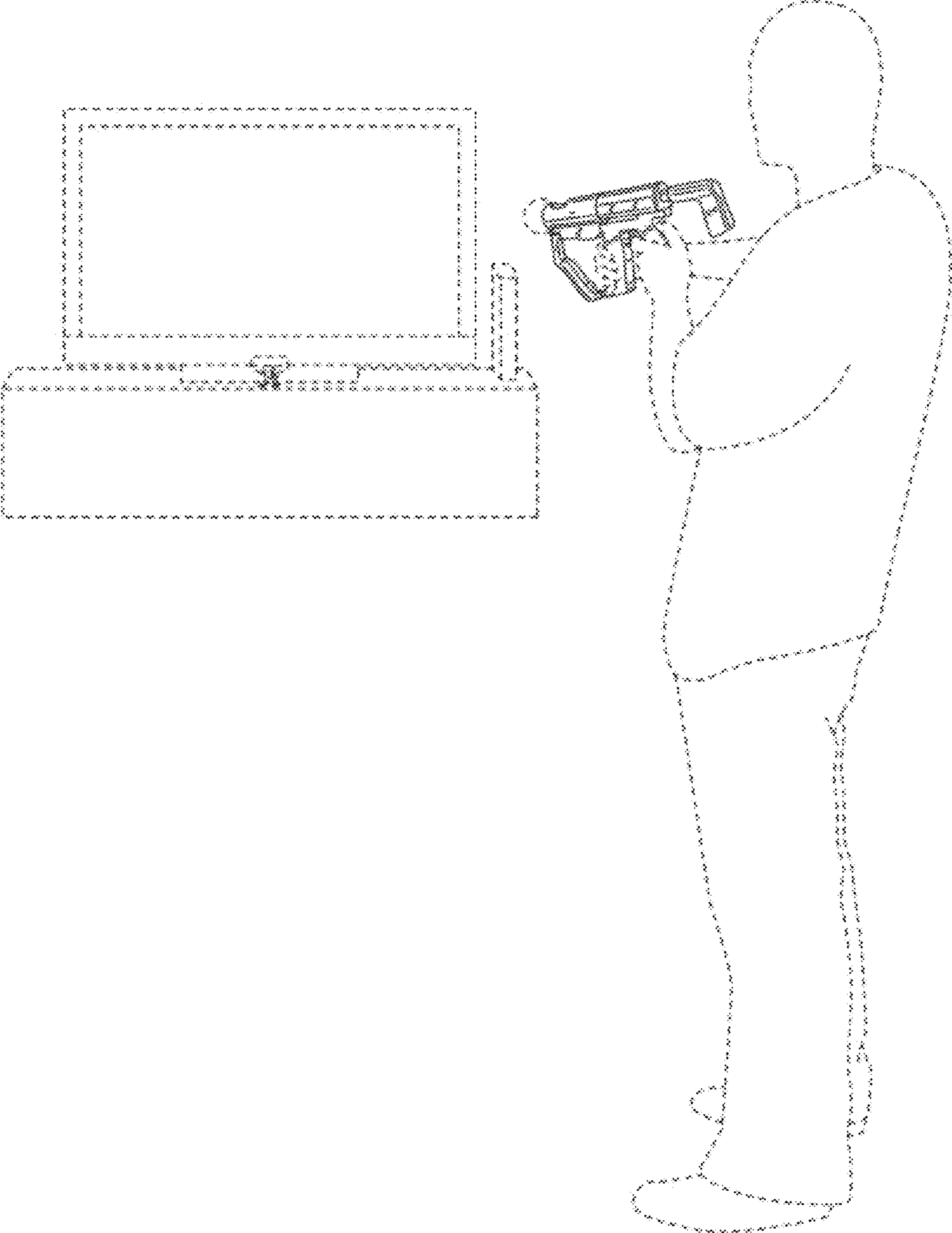


FIG. 8