



US00D658251S

(12) **United States Design Patent**  
**Cooper et al.**

(10) **Patent No.:** **US D658,251 S**  
(45) **Date of Patent:** **\*\* Apr. 24, 2012**

- (54) **GOLF CLUB HEAD**
- (75) Inventors: **Christopher R. Cooper**, Orange, CA (US); **Dariusz Cyrulik**, Huntington Beach, CA (US); **Matthew R. Daraskavich**, Huntington Beach, CA (US); **Sharon J. Park**, Irvine, CA (US)
- (73) Assignee: **SRI Sports Limited**, Kobe-shi (JP)
- (\*\*) Term: **14 Years**
- (21) Appl. No.: **29/403,214**
- (22) Filed: **Oct. 3, 2011**
- (51) **LOC (9) Cl.** ..... **21-02**
- (52) **U.S. Cl.** ..... **D21/759**
- (58) **Field of Classification Search** ..... D21/747-751, D21/759; 473/324-331, 350  
See application file for complete search history.

- D563,497 S 3/2008 Mahaffey et al.
- D573,679 S \* 7/2008 Kawami ..... D21/759
- D574,047 S \* 7/2008 Kawami ..... D21/759
- D577,087 S 9/2008 Roach et al.
- D577,779 S 9/2008 Roach et al.
- D580,503 S 11/2008 Roach et al.
- D591,808 S 5/2009 Clausen et al.
- D593,627 S 6/2009 Kim et al.
- D597,617 S 8/2009 Ines et al.
- D597,618 S 8/2009 Ines et al.
- D598,060 S 8/2009 Barez et al.
- D598,061 S 8/2009 Barez et al.
- D598,967 S 8/2009 Kim et al.
- D598,968 S 8/2009 Wieland
- D601,651 S \* 10/2009 Jorgensen et al. .... D21/759
- D602,103 S 10/2009 Jorgensen et al.
- 7,614,962 B1 11/2009 Clausen
- D618,743 S 6/2010 Roach et al.
- D618,750 S 6/2010 Roberts et al.
- D618,752 S 6/2010 Morris et al.

(Continued)

*Primary Examiner* — Mitchell Siegel  
(74) *Attorney, Agent, or Firm* — Oliff & Berridge, PLC

(56) **References Cited**

U.S. PATENT DOCUMENTS

- 5,377,985 A 1/1995 Ohnishi
- 5,390,924 A 2/1995 Antonious
- 5,395,113 A 3/1995 Antonious
- 5,665,012 A 9/1997 Bunn, III
- D409,702 S 5/1999 Gallagher
- D446,268 S 8/2001 Satoh et al.
- D456,056 S 4/2002 Bakke
- 6,454,665 B2 9/2002 Antonious
- D490,871 S 6/2004 Gilbert et al.
- D496,419 S 9/2004 Lang et al.
- D501,237 S 1/2005 Madore
- D512,757 S 12/2005 Cleveland et al.
- D529,114 S 9/2006 Madore
- D532,848 S 11/2006 Cleveland et al.
- D533,245 S 12/2006 Cleveland et al.
- D537,894 S 3/2007 Cleveland et al.
- D547,407 S 7/2007 Morris et al.
- D547,409 S 7/2007 Best et al.
- D548,297 S 8/2007 Best et al.
- D556,278 S 11/2007 Mahaffey et al.
- D559,933 S 1/2008 Roach et al.

(57) **CLAIM**

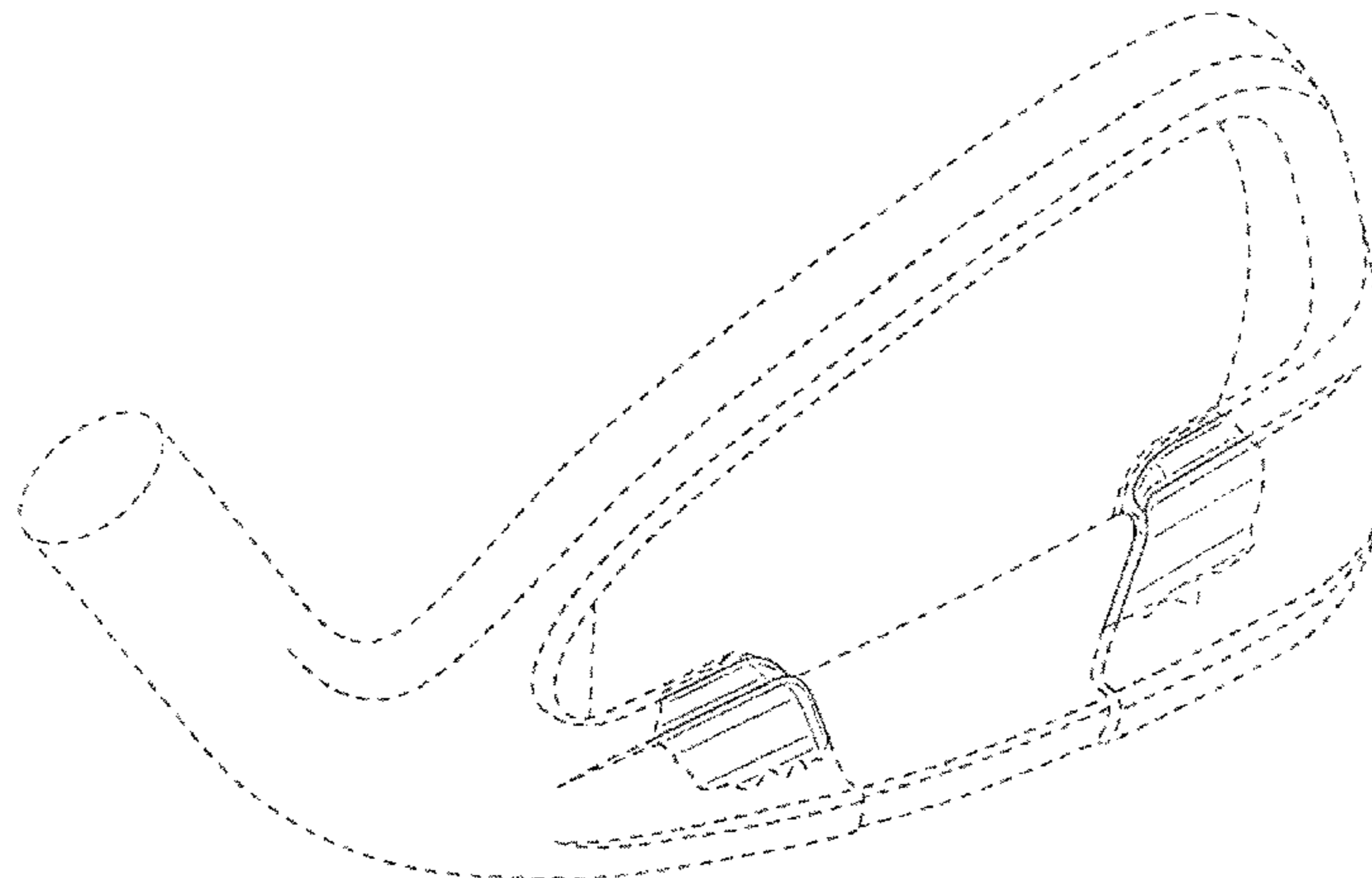
The ornamental design for a golf club head, as shown and described.

**DESCRIPTION**

FIG. 1 is a heel-side rear perspective view embodying the inventive design;  
 FIG. 2 is a heel-side elevational view thereof;  
 FIG. 3 is a rear elevational view thereof;  
 FIG. 4 is a toe-side elevational view thereof;  
 FIG. 5 is a bottom plan view thereof;  
 FIG. 6 is a toe-side rear perspective view thereof; and,  
 FIG. 7 is a top plan view thereof.

The broken lines immediately adjacent the shaded areas represent the bounds of the claimed design, while all other broken lines are directed to environment and are for illustrative purposes only; the broken lines form no part of the claimed design.

**1 Claim, 7 Drawing Sheets**



# US D658,251 S

Page 2

---

## U.S. PATENT DOCUMENTS

|              |        |                    |         |                 |        |                |
|--------------|--------|--------------------|---------|-----------------|--------|----------------|
| D622,336 S   | 8/2010 | Kohno              |         | 2003/0181259 A1 | 9/2003 | Shimazaki      |
| D622,796 S * | 8/2010 | Kadoya .....       | D21/759 | 2010/0041493 A1 | 2/2010 | Clausen et al. |
| D639,881 S * | 6/2011 | Breier et al. .... | D21/747 | 2010/0130307 A1 | 5/2010 | Roach et al.   |
| D641,446 S * | 7/2011 | Engel et al. ....  | D21/759 |                 |        |                |

\* cited by examiner

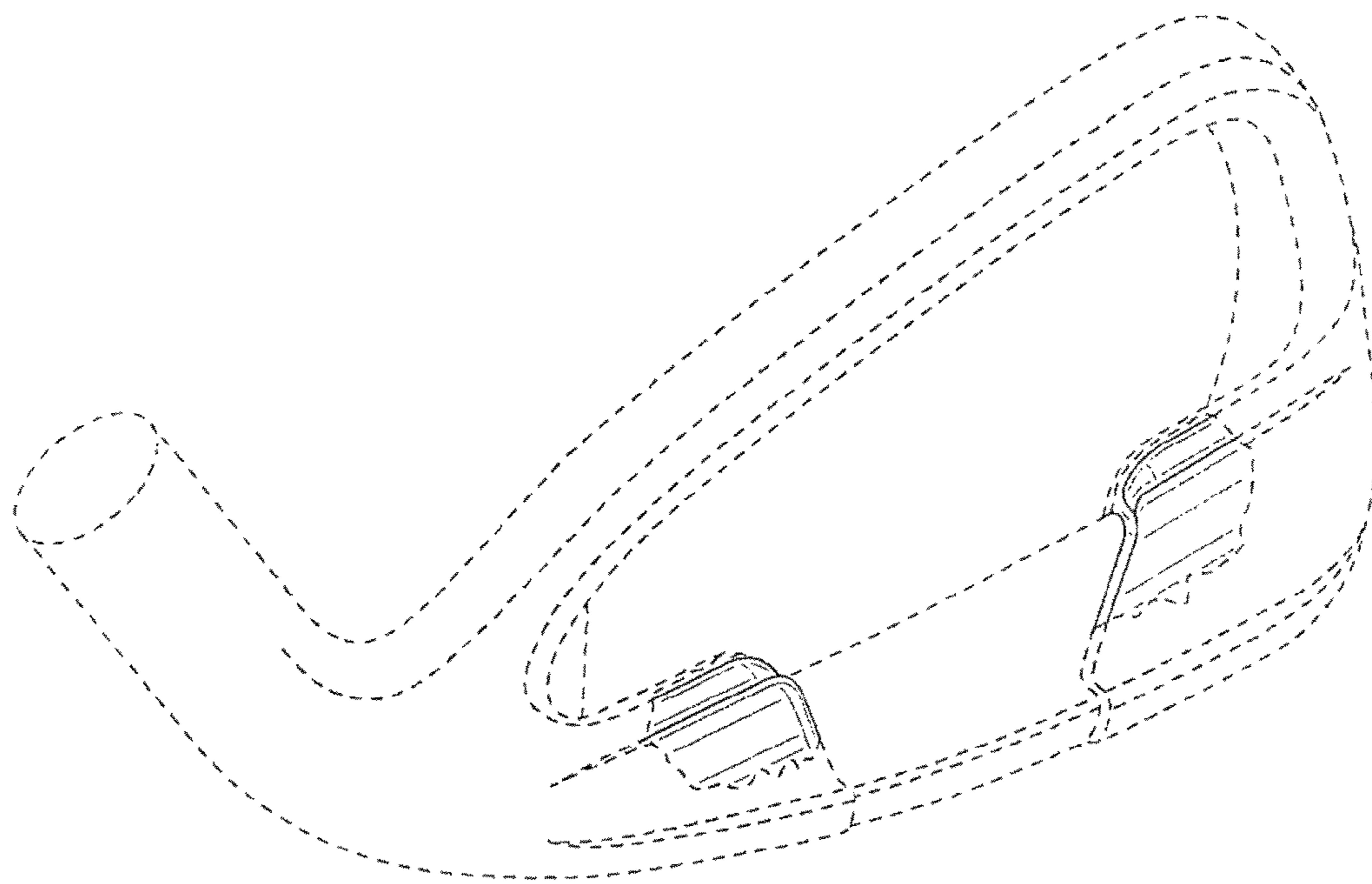


FIG. 1

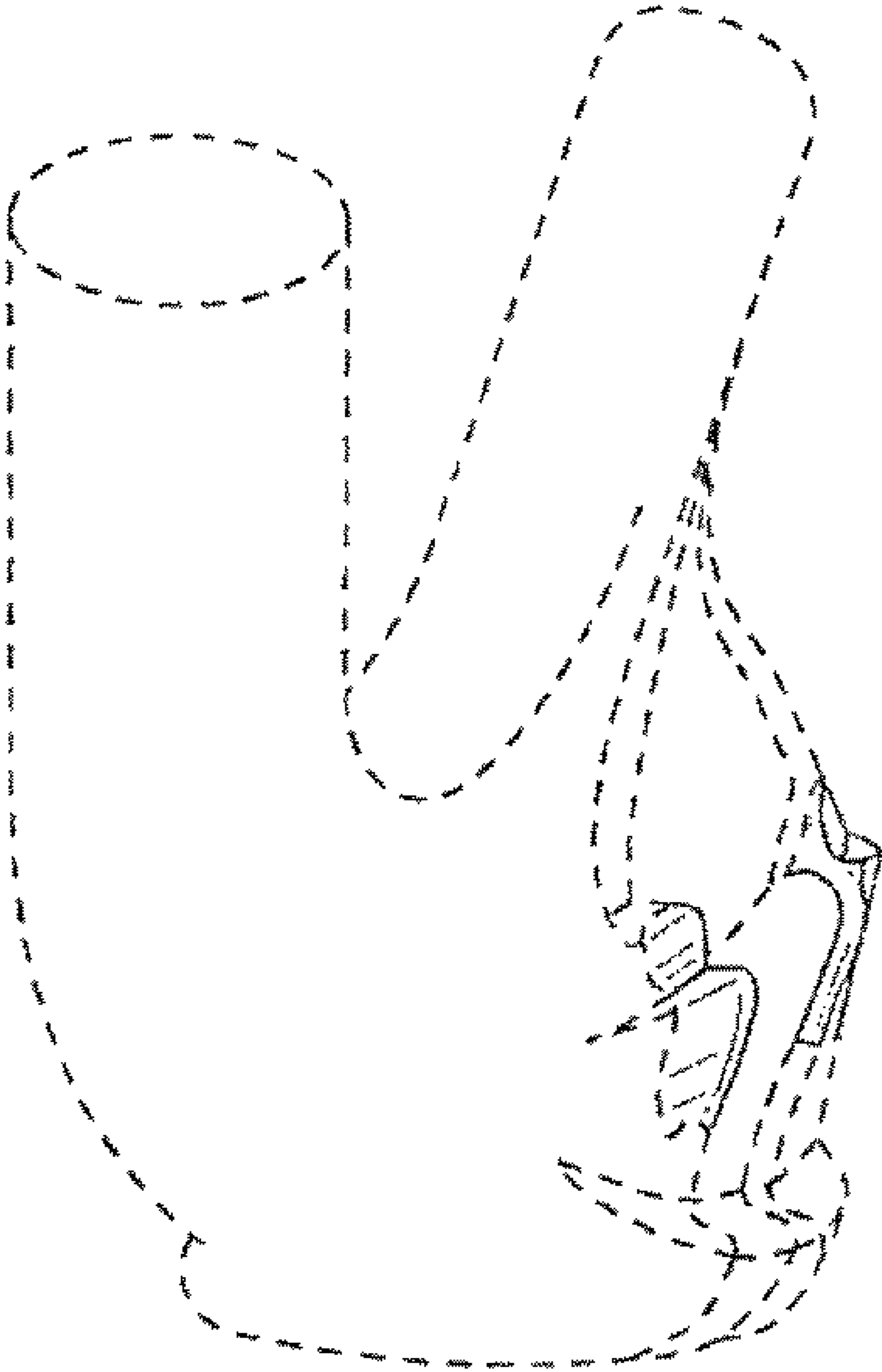


FIG. 2

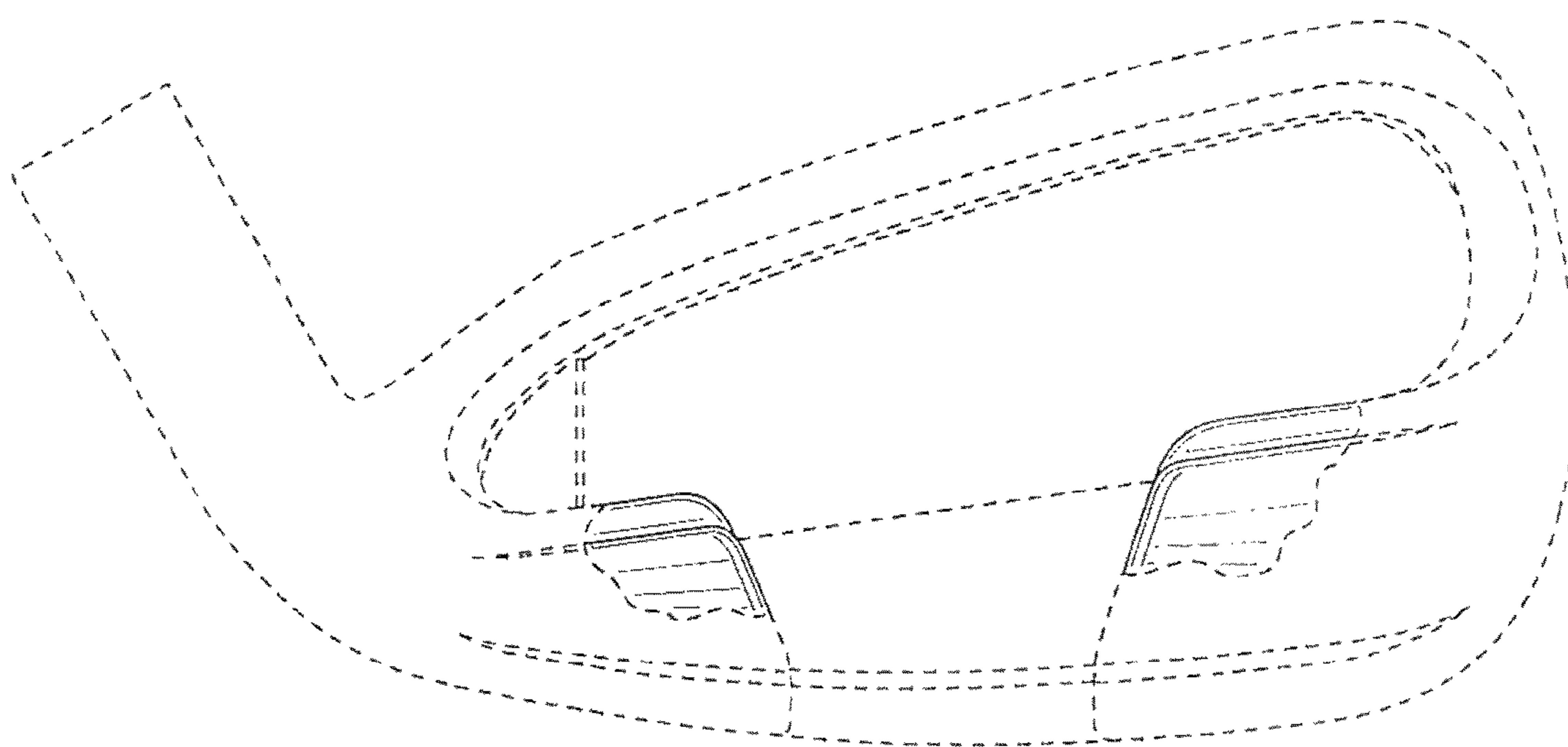


FIG. 3

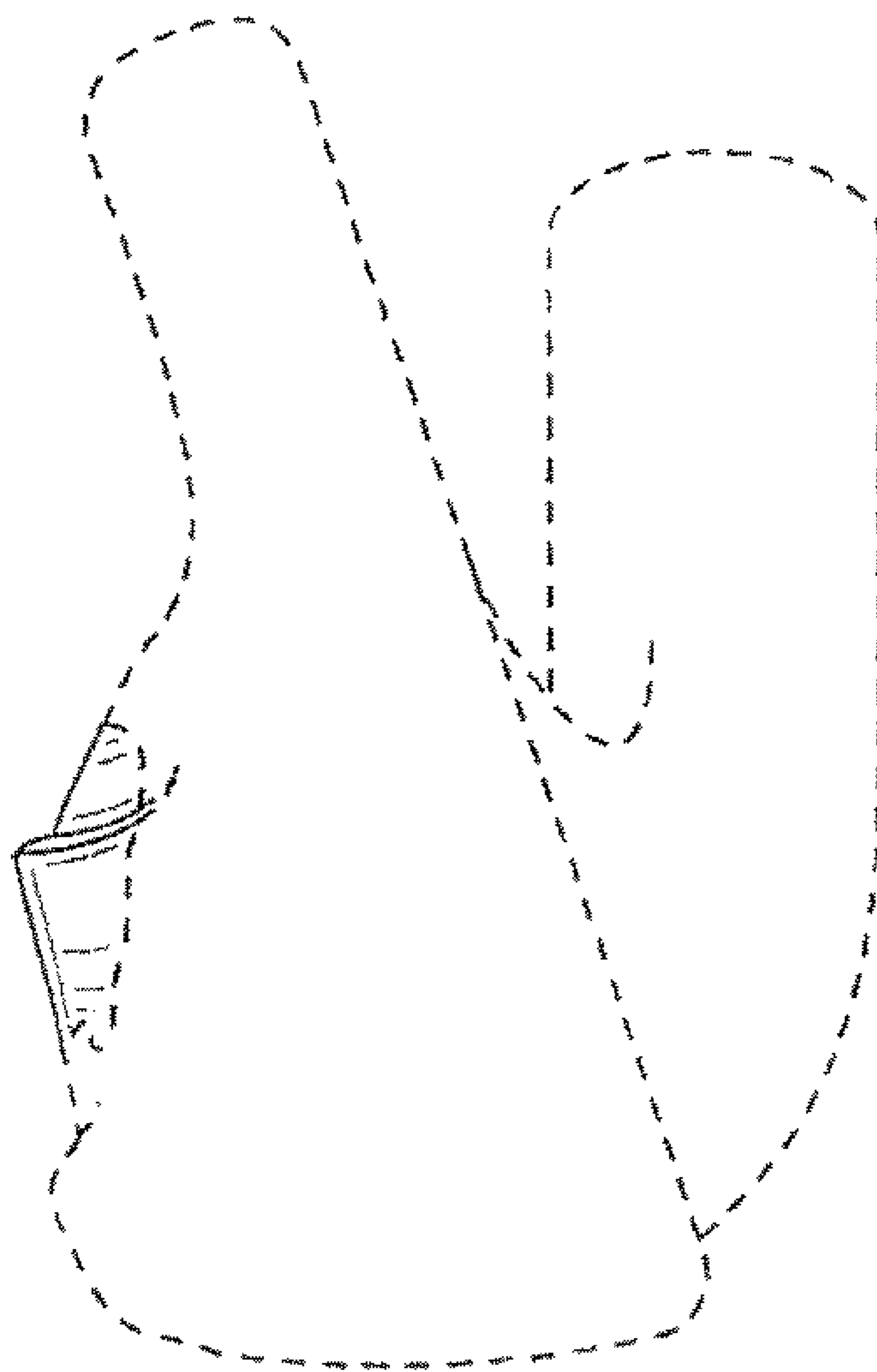


FIG. 4

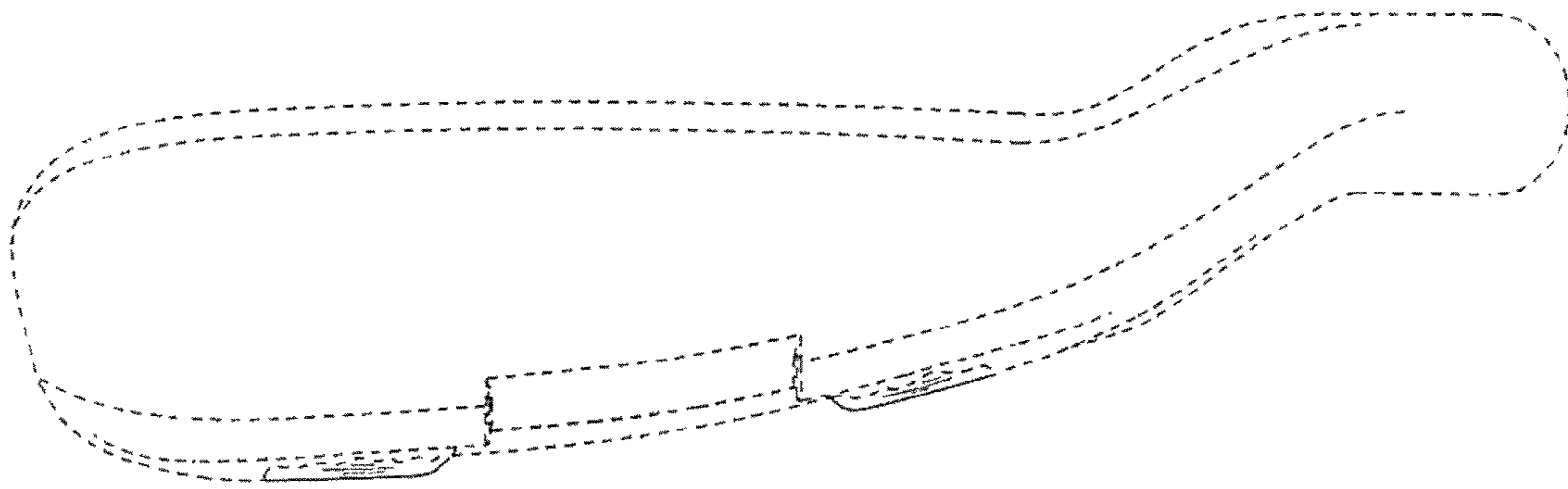


FIG. 5

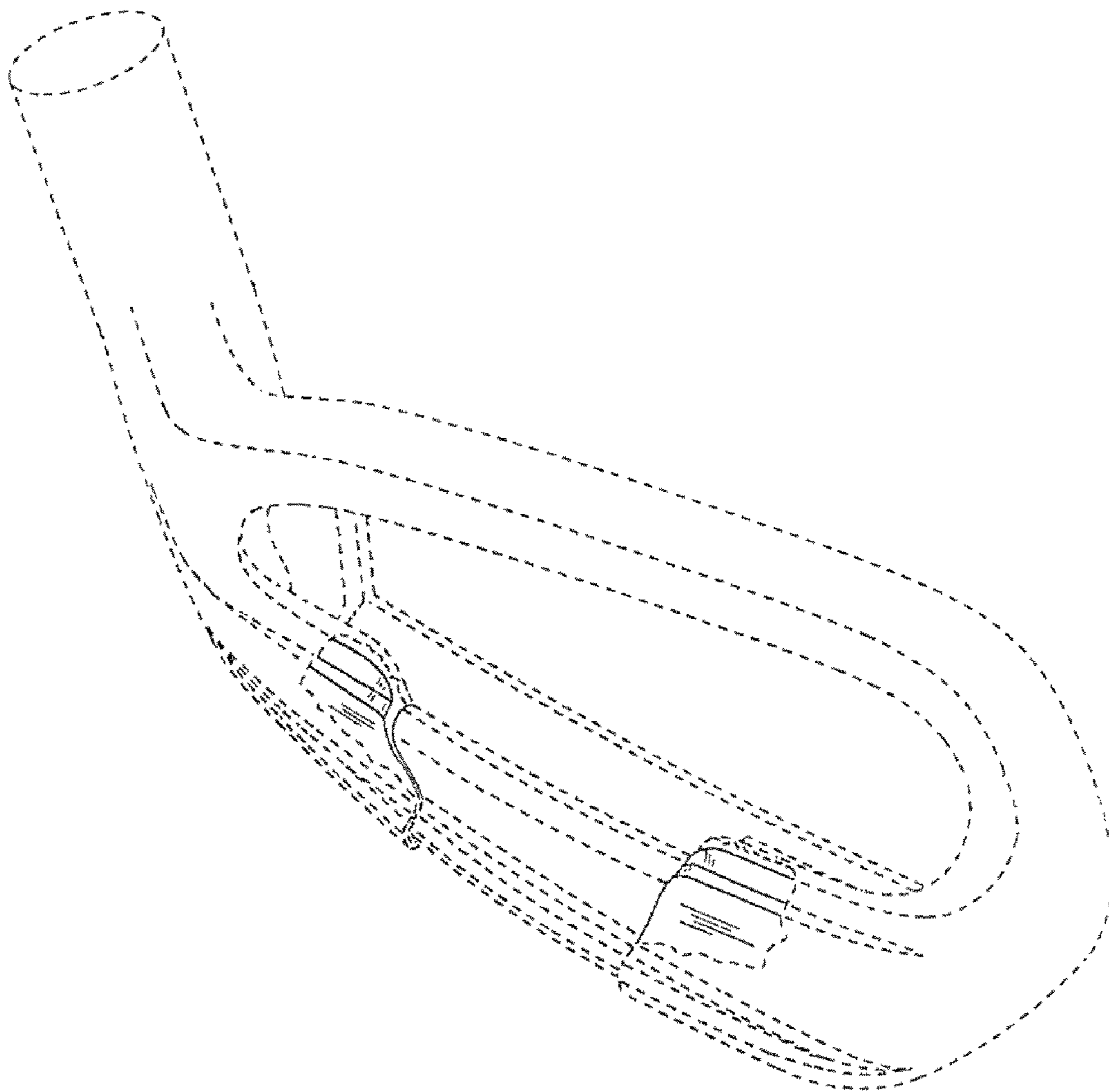


FIG. 6



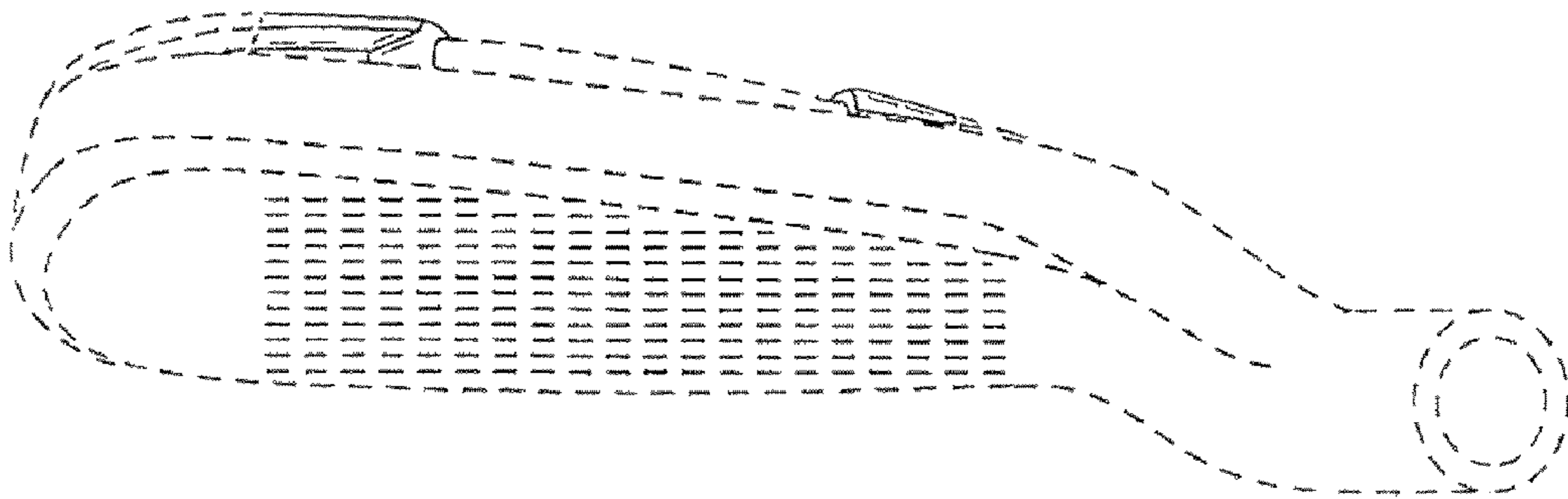


FIG. 7

UNITED STATES PATENT AND TRADEMARK OFFICE  
**CERTIFICATE OF CORRECTION**

PATENT NO. : D658,251 S  
APPLICATION NO. : 29/403214  
DATED : April 24, 2012  
INVENTOR(S) : Christopher R. Cooper et al.

Page 1 of 1

It is certified that error appears in the above-identified patent and that said Letters Patent is hereby corrected as shown below:

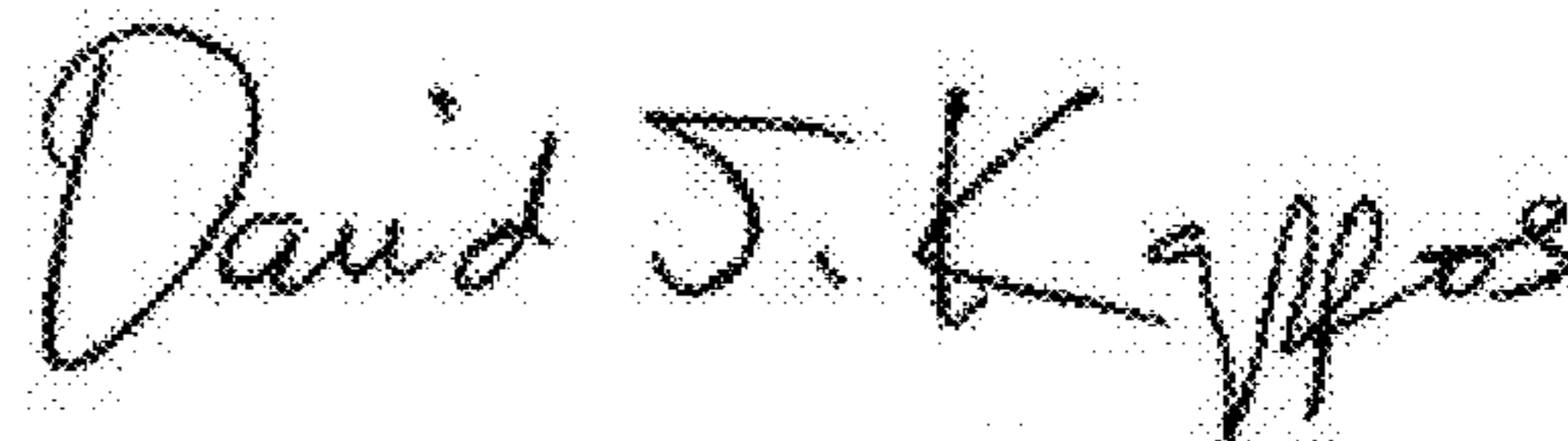
On the Title page, the following:

(75) Inventors: **Christopher R. Cooper**, Orange, CA  
(US); **Darlusz Cyrulik**, Huntington  
Beach, CA (US); **Matthew R.  
Daraskavich**, Huntington Beach, CA  
(US); **Sharon J. Park**, Irvine, CA (US)

should read as follows:

(75) Inventors: **Christopher R. Cooper**, Orange, CA  
(US); **Keith F. Dolezel**, Covina, CA  
(US); **Matthew R. Daraskavich**,  
Huntington Beach, CA (US); **Sharon J.  
Park**, Irvine, CA (US)

Signed and Sealed this  
Twenty-third Day of October, 2012



David J. Kappos  
*Director of the United States Patent and Trademark Office*