



US00D658250S

(12) **United States Design Patent**
Dolezel et al.

(10) **Patent No.:** **US D658,250 S**

(45) **Date of Patent:** **** Apr. 24, 2012**

(54) **GOLF CLUB HEAD**

(75) Inventors: **Keith F. Dolezel**, Covina, CA (US);
Sharon J. Park, Irvine, CA (US);
Matthew R. Daraskavich, Huntington
Beach, CA (US); **Ryan J. A. Ritchie**,
Huntington Beach, CA (US)

(73) Assignee: **SRI Sports Limited**, Kobe-shi (JP)

(**) Term: **14 Years**

(21) Appl. No.: **29/400,388**

(22) Filed: **Aug. 26, 2011**

(51) **LOC (9) Cl.** **21-02**

(52) **U.S. Cl.** **D21/759**

(58) **Field of Classification Search** D21/747-751,
D21/759; 473/324-331, 350

See application file for complete search history.

(56) **References Cited**

U.S. PATENT DOCUMENTS

| | | |
|-------------|---------|----------------|
| 1,089,881 A | 3/1914 | Taylor, Jr. |
| 1,531,821 A | 3/1925 | Scott |
| 1,913,821 A | 6/1933 | Stumpf |
| 3,068,011 A | 12/1962 | Sano |
| 4,332,388 A | 6/1982 | Crow |
| D266,344 S | 9/1982 | Duclos |
| 4,804,184 A | 2/1989 | Maltby |
| D311,763 S | 10/1990 | Antonious |
| D322,830 S | 12/1991 | Antonious |
| D323,012 S | 1/1992 | Antonious |
| D326,886 S | 6/1992 | Sun et al. |
| 5,125,662 A | 6/1992 | Antonious |
| 5,154,423 A | 10/1992 | Antonious |
| 5,213,329 A | 5/1993 | Okumoto et al. |
| 5,340,106 A | 8/1994 | Ravaris |
| D351,441 S | 10/1994 | Iinuma et al. |
| 5,390,924 A | 2/1995 | Antonious |
| 5,456,469 A | 10/1995 | MacDougall |
| D364,204 S | 11/1995 | Lin |
| 5,467,988 A | 11/1995 | Henwood |

| | | |
|-------------|---------|----------------|
| 5,516,106 A | 5/1996 | Henwood |
| 5,524,890 A | 6/1996 | Kim et al. |
| D371,816 S | 7/1996 | Yoshioka |
| D383,512 S | 9/1997 | Schmidt et al. |
| 5,690,556 A | 11/1997 | Condon |
| D399,898 S | 10/1998 | Stone et al. |
| D410,057 S | 5/1999 | Ortiz |
| 5,976,033 A | 11/1999 | Takeda |
| 5,989,134 A | 11/1999 | Antonious |
| D426,268 S | 6/2000 | Ortiz |
| 6,123,627 A | 9/2000 | Antonious |

(Continued)

FOREIGN PATENT DOCUMENTS

EP 0 927 563 A2 7/1999

(Continued)

Primary Examiner — Mitchell Siegel

(74) *Attorney, Agent, or Firm* — Oliff & Berridge, PLC

(57) **CLAIM**

The ornamental design for a golf club head, as shown and described.

DESCRIPTION

FIG. 1 is a front elevational view of a golf club head embodying the inventive design.

FIG. 2 is a rear elevational view thereof.

FIG. 3 is a heel-side elevational view thereof.

FIG. 4 is a rear heel-side perspective view thereof.

FIG. 5 is a rear toe-side perspective view thereof.

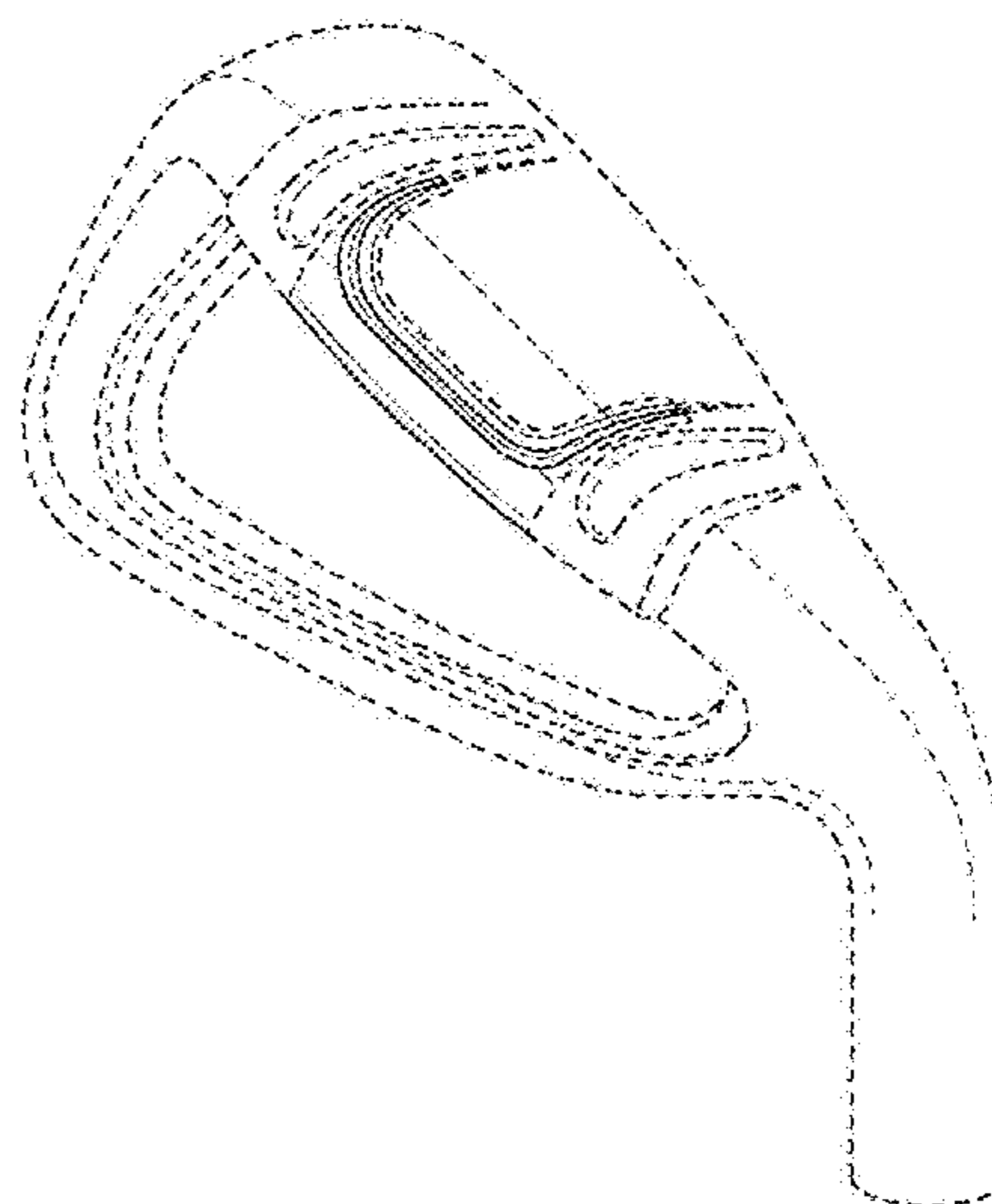
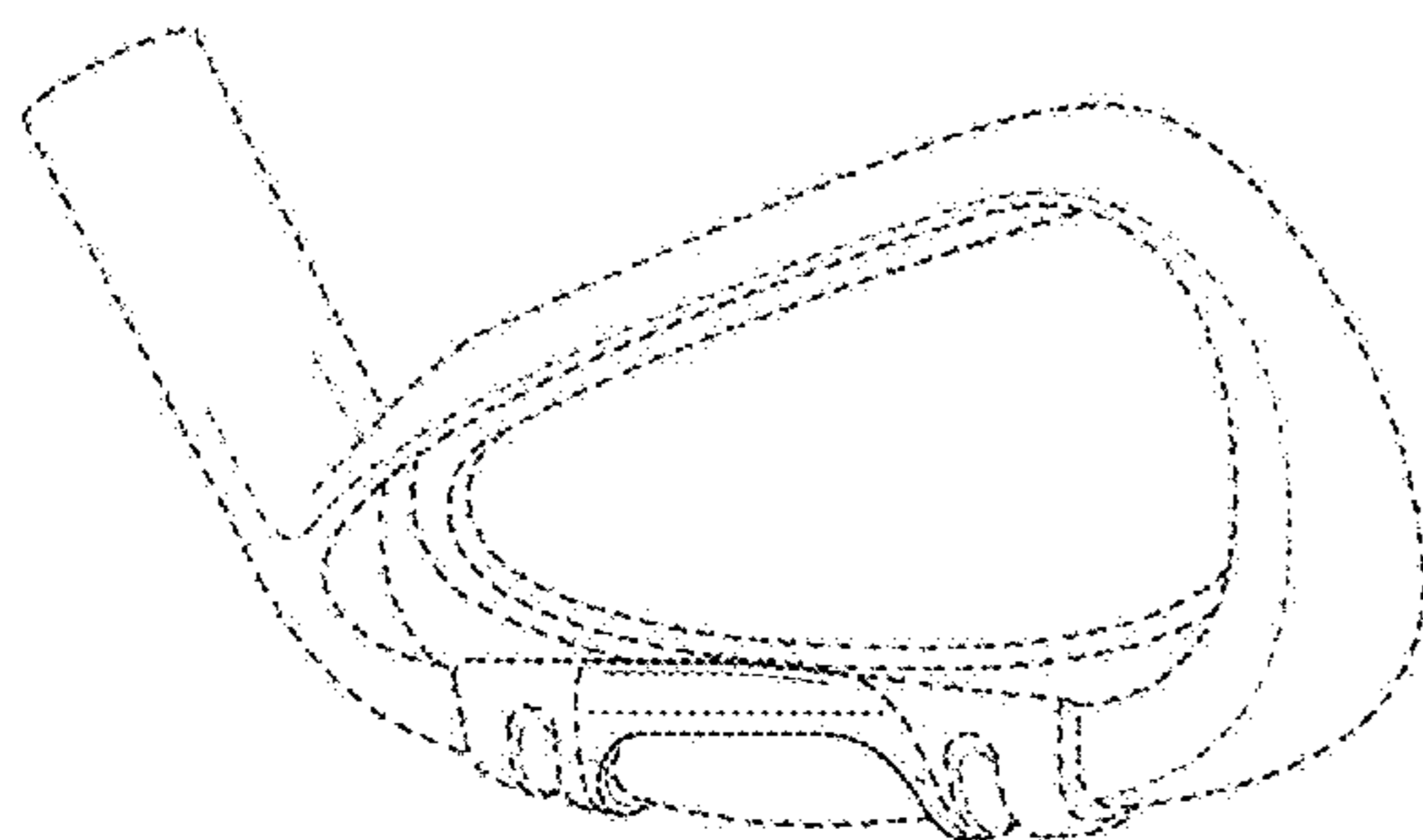
FIG. 6 is a rear heel-side perspective view thereof.

FIG. 7 is a bottom plan view thereof; and,

FIG. 8 is a top plan view thereof.

The broken lines immediately adjacent the shaded areas represent the bounds of the claimed design, while all other broken lines are directed to environment and are for illustrative purposes only; the broken lines form no part of the claimed design.

1 Claim, 4 Drawing Sheets



US D658,250 S

Page 2

U.S. PATENT DOCUMENTS

D435,075 S 12/2000 Ota
D442,244 S 5/2001 Olsavsky et al.
6,257,991 B1 7/2001 Ortiz
D457,212 S 5/2002 Yamane et al.
D457,583 S 5/2002 Olsavsky et al.
D472,950 S 4/2003 Burnett et al.
D473,276 S 4/2003 Kenmi
D480,441 S 10/2003 Kenmi
6,663,503 B1 12/2003 Kenmi
D504,167 S * 4/2005 Iwata et al. D21/759
D508,722 S * 8/2005 Iwata et al. D21/759
D534,976 S 1/2007 Glod
D547,817 S * 7/2007 Iwata et al. D21/759
D552,703 S * 10/2007 Iwata et al. D21/759

D569,932 S * 5/2008 Peterman D21/748
7,618,330 B2 11/2009 Krewalk et al.
D622,344 S * 8/2010 Oldknow et al. D21/759
D622,345 S * 8/2010 Oldknow et al. D21/759
D622,797 S * 8/2010 Oldknow et al. D21/759
D622,798 S * 8/2010 Oldknow et al. D21/759
D627,843 S * 11/2010 Kuan et al. D21/759
2006/0094526 A1 5/2006 Reed
2011/0077101 A1 3/2011 Bennett et al.

FOREIGN PATENT DOCUMENTS

JP A-7-313636 12/1995
JP A-10-263117 10/1998
JP A-2003-334266 11/2003

* cited by examiner

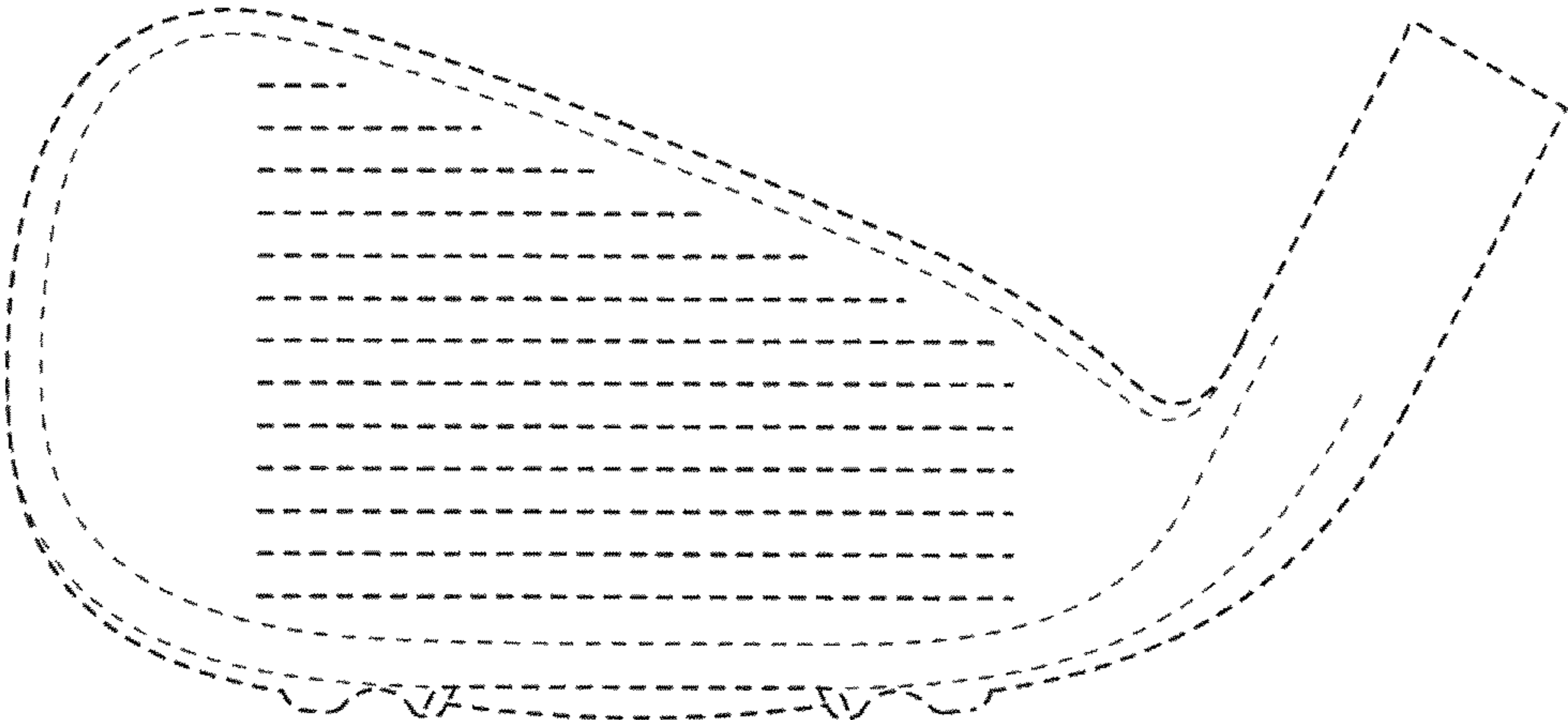


FIG. 1

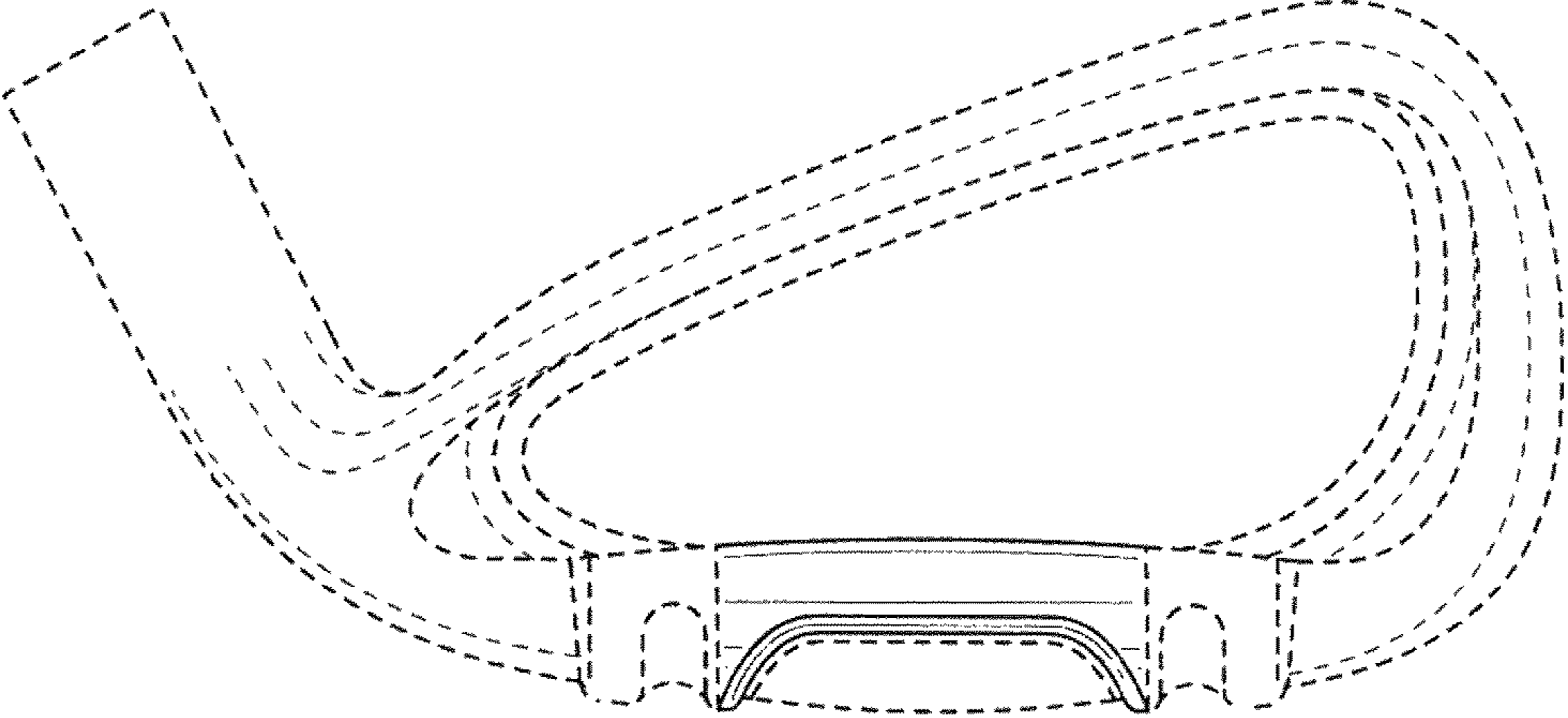


FIG. 2

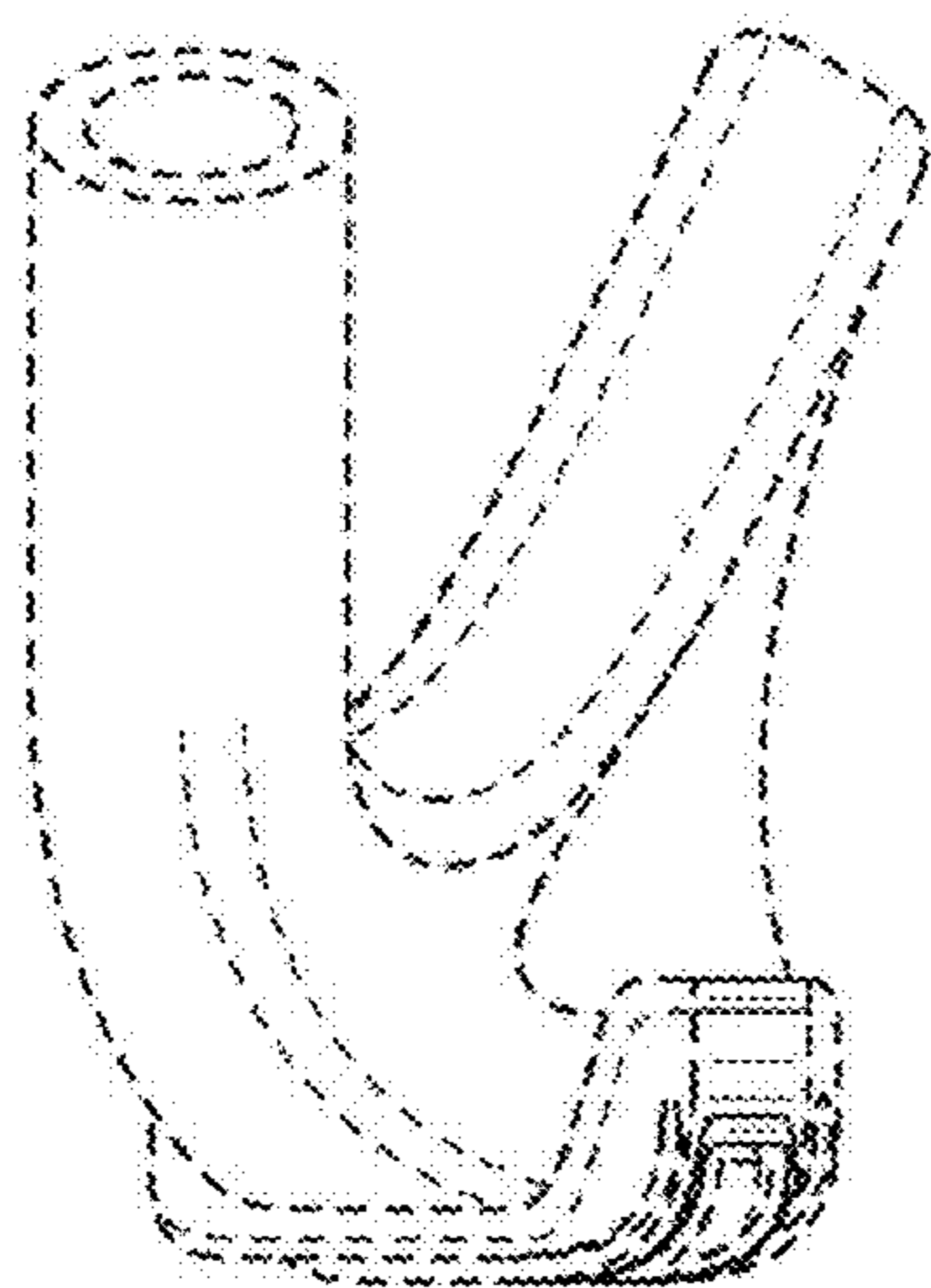


FIG. 3

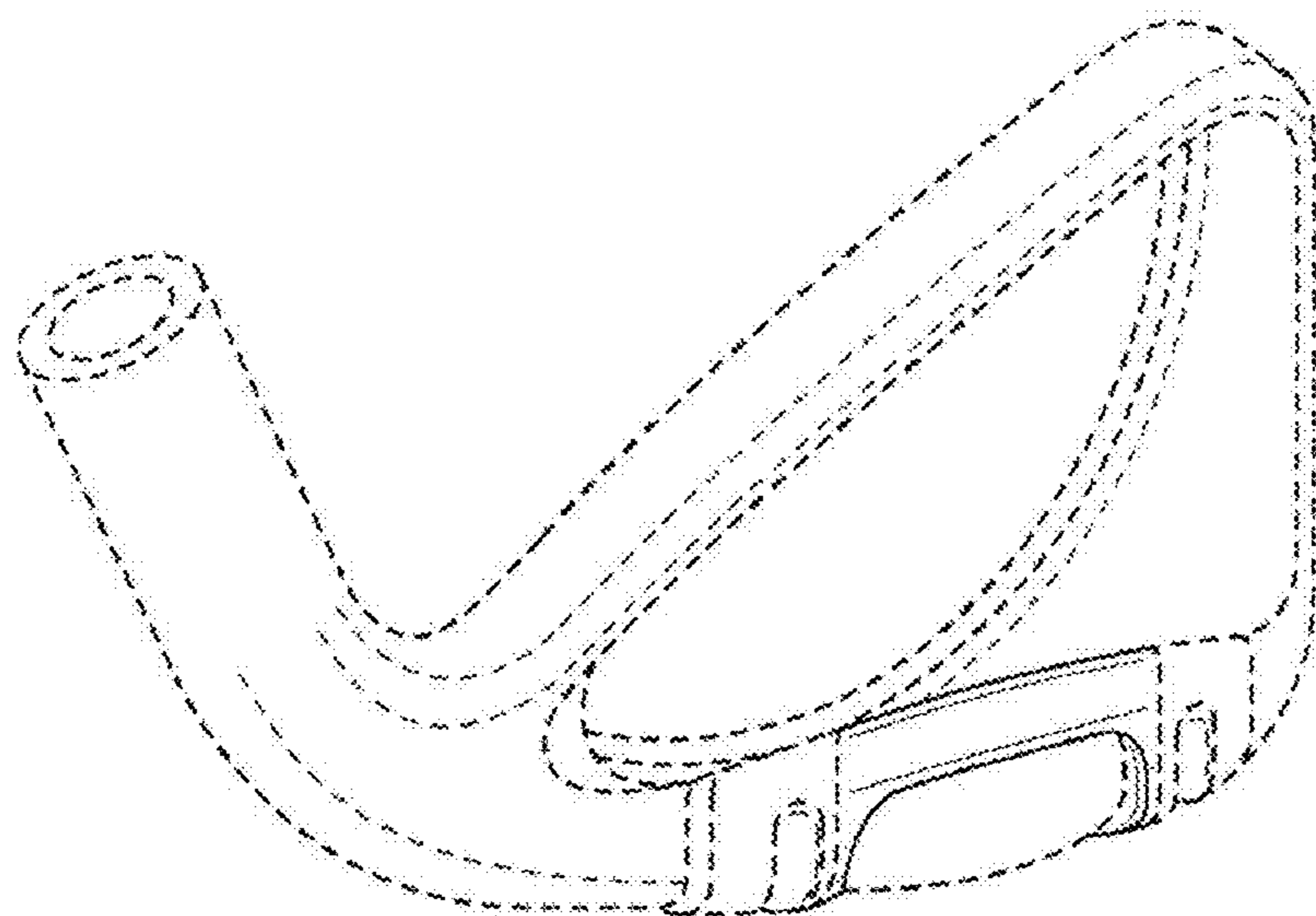


FIG. 4

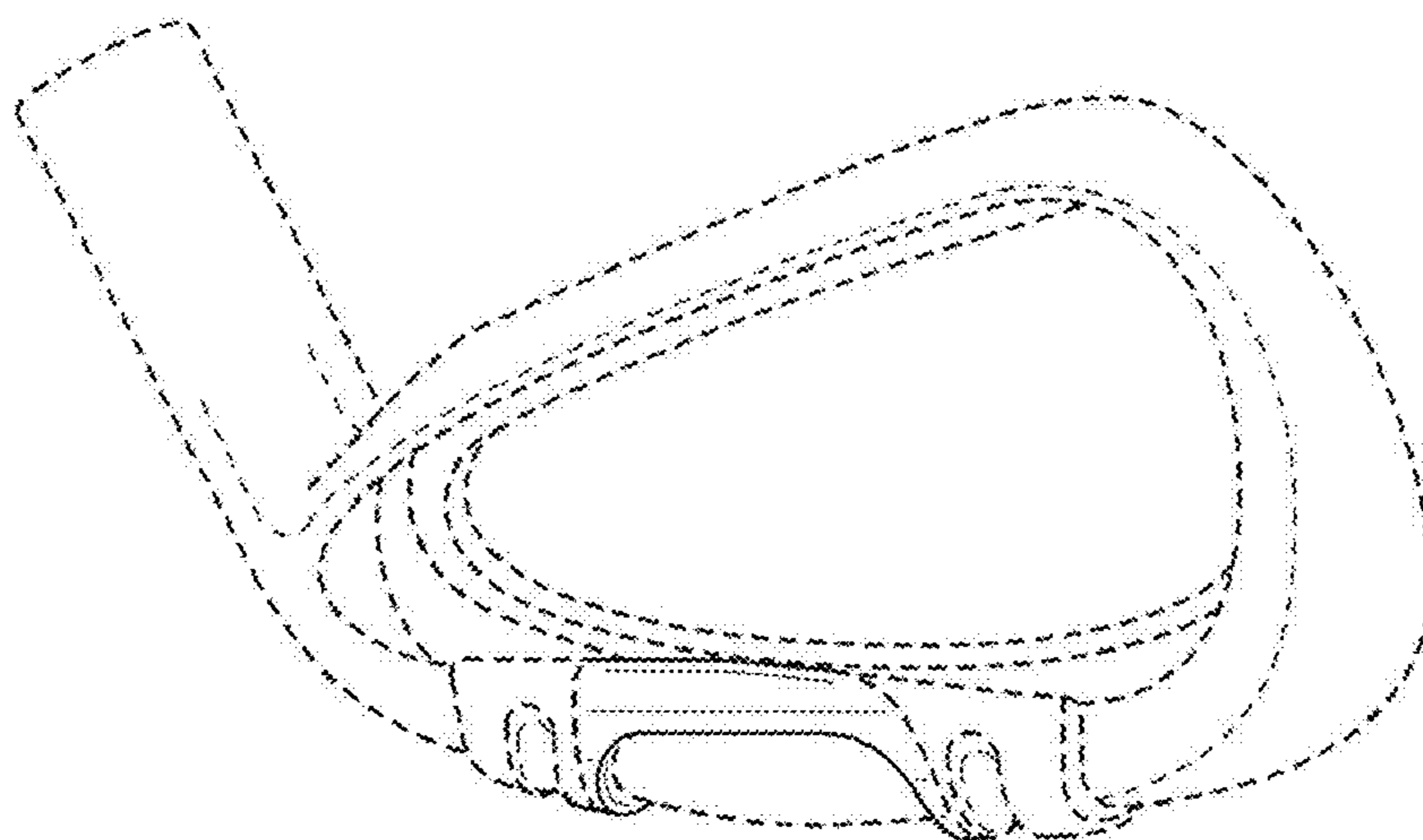


FIG. 5

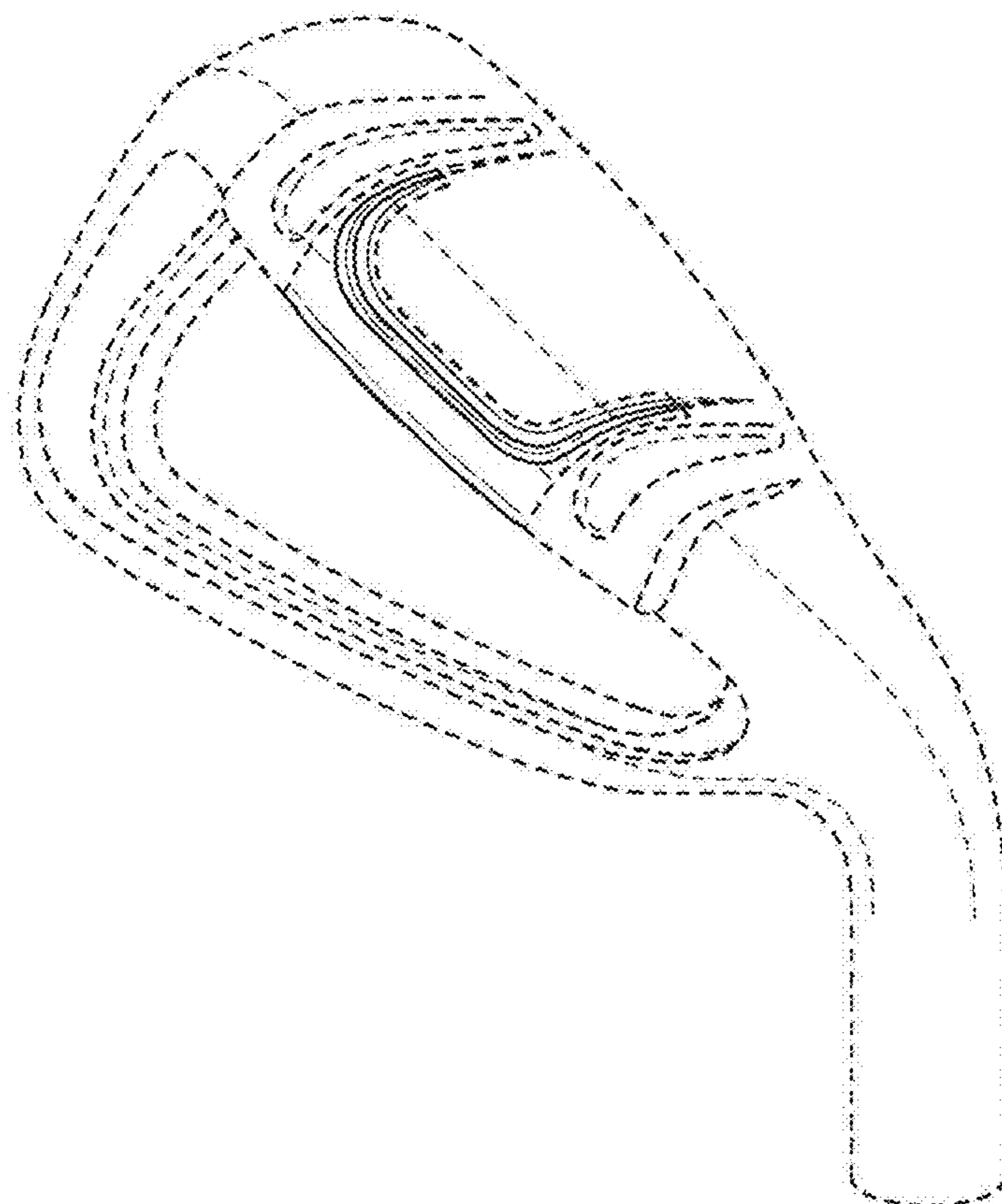


FIG. 6

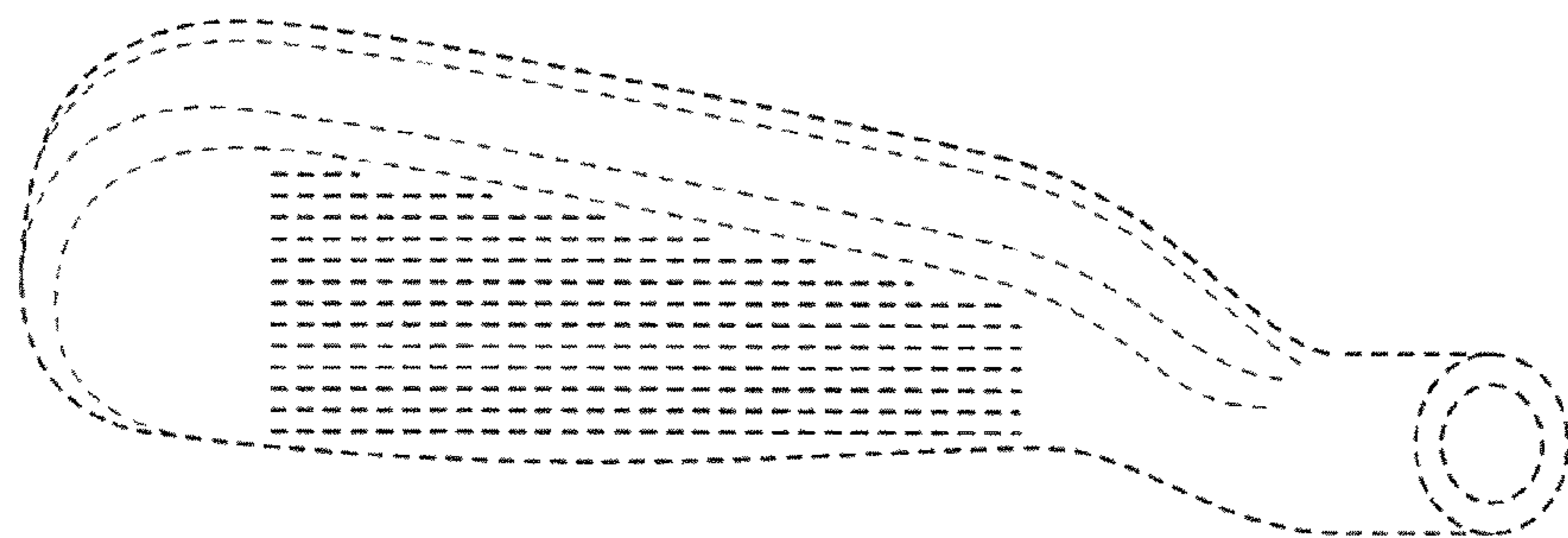


FIG. 8

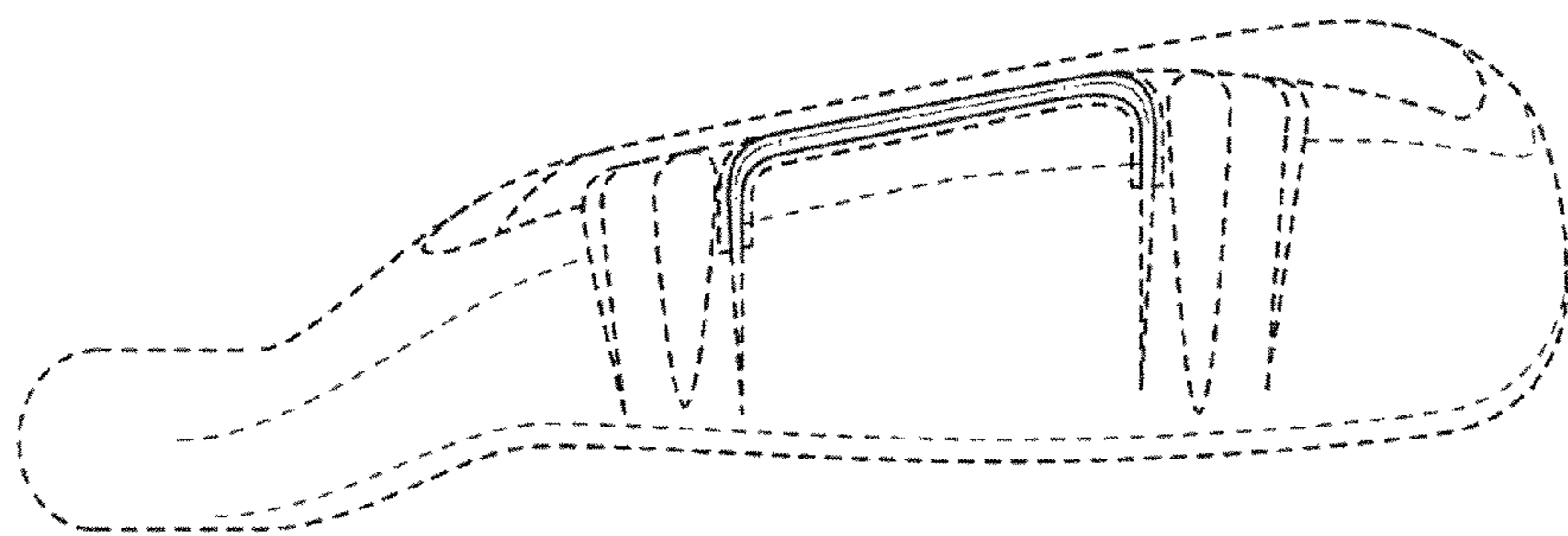


FIG. 7