



US00D658249S

(12) **United States Design Patent**
Dolezel et al.

(10) **Patent No.:** **US D658,249 S**
(45) **Date of Patent:** **** Apr. 24, 2012**

(54) **GOLF CLUB HEAD**

(75) Inventors: **Keith F. Dolezel**, Covina, CA (US);
Sharon J. Park, Irvine, CA (US);
Matthew R. Daraskavich, Huntington
Beach, CA (US); **Ryan J. A. Ritchie**,
Huntington Beach, CA (US)

(73) Assignee: **SRI Sports Limited**, Kobe-shi (JP)

(**) Term: **14 Years**

(21) Appl. No.: **29/400,385**

(22) Filed: **Aug. 26, 2011**

(51) **LOC (9) Cl.** **21-02**

(52) **U.S. Cl.** **D21/759**

(58) **Field of Classification Search** D21/747-751,
D21/759; 473/324-331, 350

See application file for complete search history.

(56) **References Cited**

U.S. PATENT DOCUMENTS

1,089,881	A	3/1914	Taylor, Jr.	
1,531,821	A	3/1925	Scott	
1,913,821	A	6/1933	Stumpf	
3,068,011	A *	12/1962	Sano	473/328
3,997,170	A *	12/1976	Goldberg	473/327
4,332,388	A	6/1982	Crow	
D266,344	S	9/1982	Duclos	
4,804,184	A	2/1989	Malthy	
D311,763	S	10/1990	Antonious	
D322,830	S	12/1991	Antonious	
D323,012	S	1/1992	Antonious	
D326,886	S	6/1992	Sun et al.	
5,125,662	A	6/1992	Antonious	
5,154,423	A	10/1992	Antonious	
5,213,329	A	5/1993	Okumoto et al.	
5,340,106	A	8/1994	Ravaris	
D351,441	S *	10/1994	Iinuma et al.	D21/752
5,390,924	A	2/1995	Antonious	
5,456,469	A *	10/1995	MacDougall	473/328
D364,204	S	11/1995	Lin	
5,467,988	A	11/1995	Henwood	
5,516,106	A	5/1996	Henwood	

5,524,890	A	6/1996	Kim et al.	
D371,816	S	7/1996	Yoshioka	
D383,512	S	9/1997	Schmidt et al.	
5,690,556	A	11/1997	Condon	
D399,898	S	10/1998	Stone et al.	
D410,057	S	5/1999	Ortiz	
5,976,033	A	11/1999	Takeda	
5,989,134	A	11/1999	Antonious	
D426,268	S	6/2000	Ortiz	
D426,603	S *	6/2000	Besnard et al.	D21/747
6,123,627	A	9/2000	Antonious	
D435,075	S	12/2000	Ota	
D442,244	S	5/2001	Olsavsky et al.	
6,257,991	B1	7/2001	Ortiz	
D457,212	S	5/2002	Yamane et al.	

(Continued)

FOREIGN PATENT DOCUMENTS

EP 0 927 563 A2 7/1999

(Continued)

Primary Examiner — Mitchell Siegel

(74) *Attorney, Agent, or Firm* — Oliff & Berridge, PLC

(57) **CLAIM**

The ornamental design for a golf club head, as shown and described.

DESCRIPTION

FIG. 1 is a front elevational view of a golf club head embodying the inventive design.

FIG. 2 is a rear elevational view thereof.

FIG. 3 is a bottom plan view thereof.

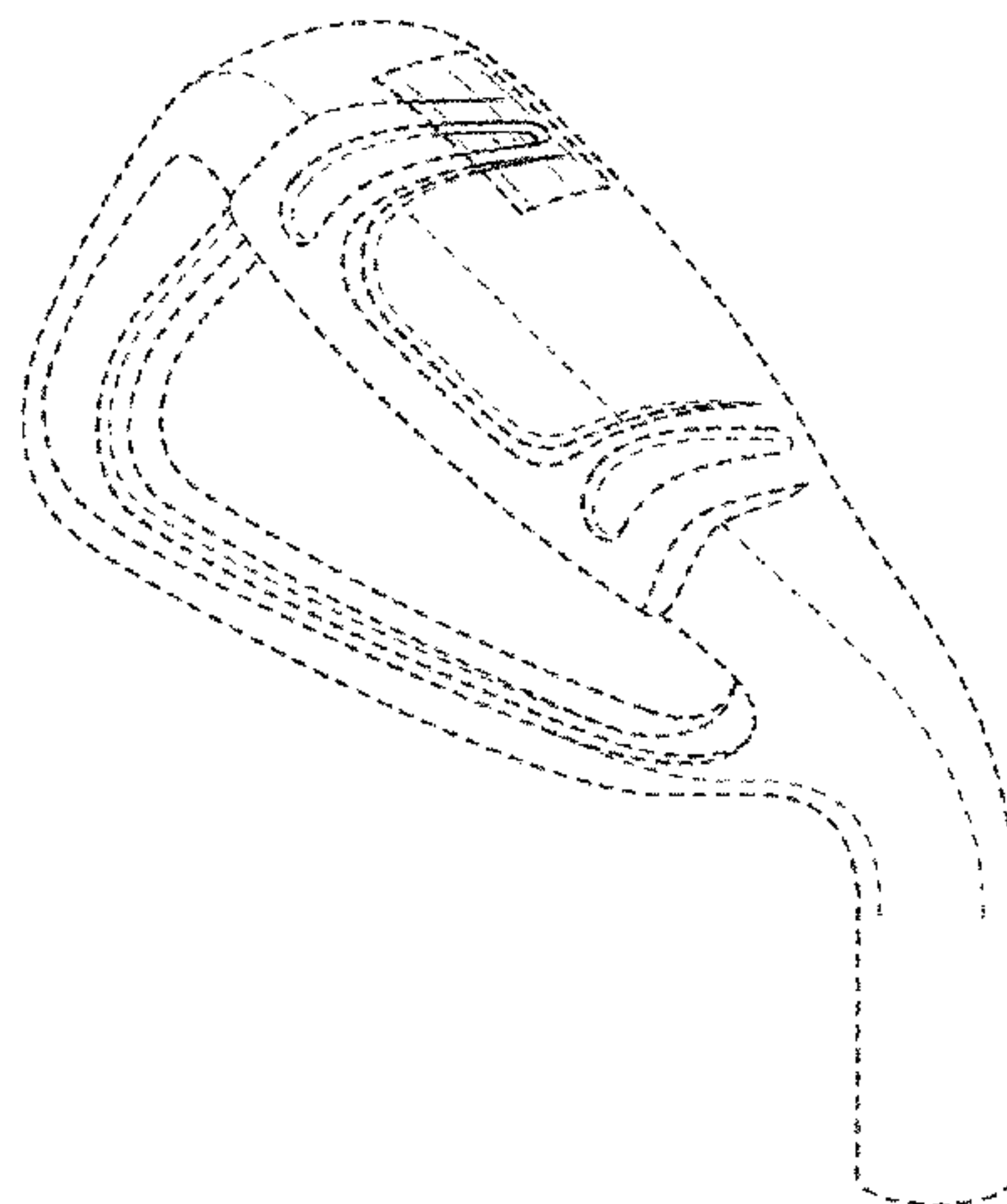
FIG. 4 is a rear heel-side view thereof.

FIG. 5 is a top plan view thereof; and,

FIG. 6 is a heel-side elevational view thereof.

The broken lines immediately adjacent the shaded areas represent the bounds of the claimed design, while all other broken lines are directed to environment and are for illustrative purposes only; the broken lines form no part of the claimed design.

1 Claim, 3 Drawing Sheets



US D658,249 S

Page 2

U.S. PATENT DOCUMENTS

D457,583 S 5/2002 Olsavsky et al.
D472,950 S 4/2003 Burnett et al.
D473,276 S 4/2003 Kenmi
D480,441 S 10/2003 Kenmi
6,663,503 B1 12/2003 Kenmi
D534,595 S * 1/2007 Hasebe D21/747
D534,976 S 1/2007 Glod
7,618,330 B2 * 11/2009 Krewalk et al. 473/328
D613,358 S * 4/2010 Kim et al. D21/748

D627,843 S 11/2010 Kuan et al.
D639,883 S * 6/2011 Roach et al. D21/759
2006/0094526 A1 5/2006 Reed
2011/0077101 A1 3/2011 Bennett et al.

FOREIGN PATENT DOCUMENTS

JP A-7-313636 12/1995
JP A-10-263117 10/1998
JP A-2003-334266 11/2003

* cited by examiner

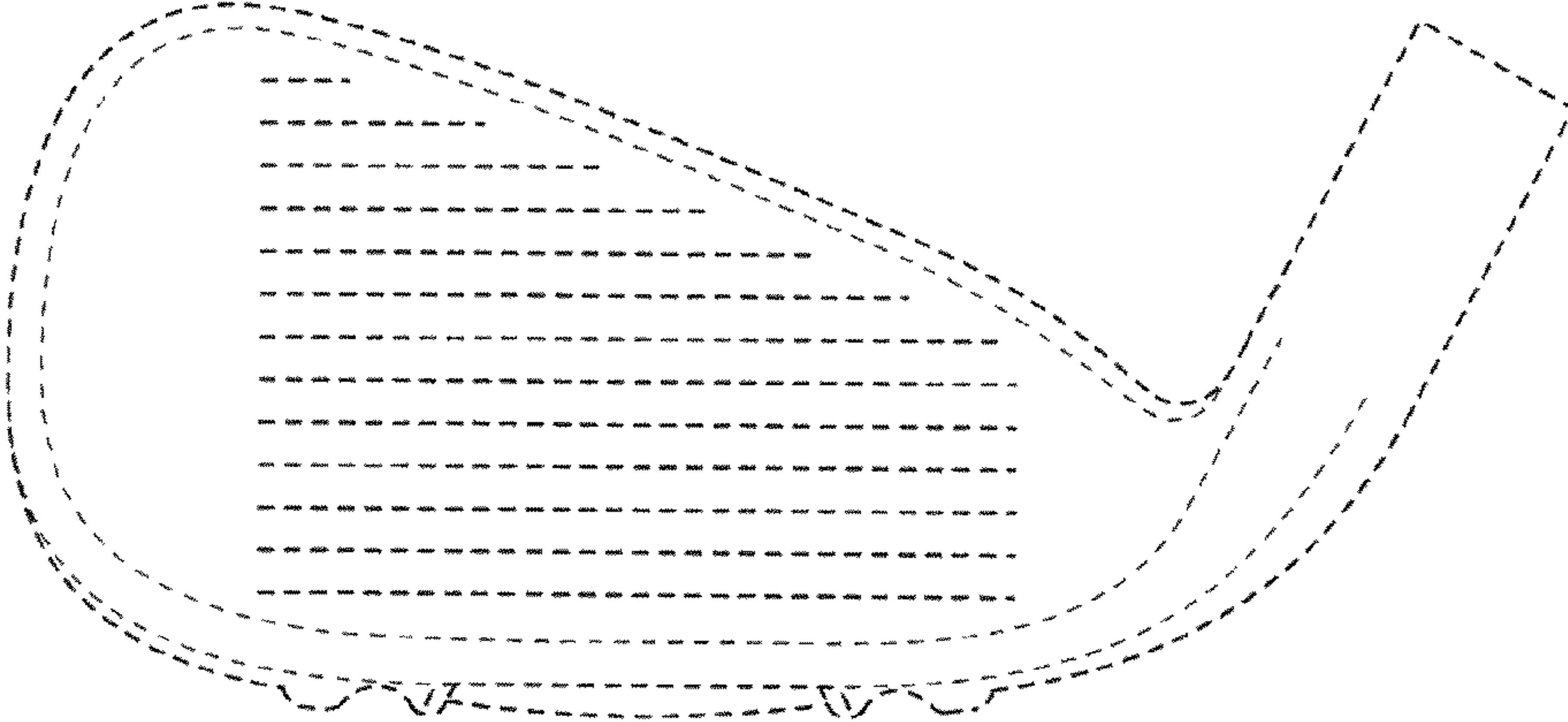


FIG. 1

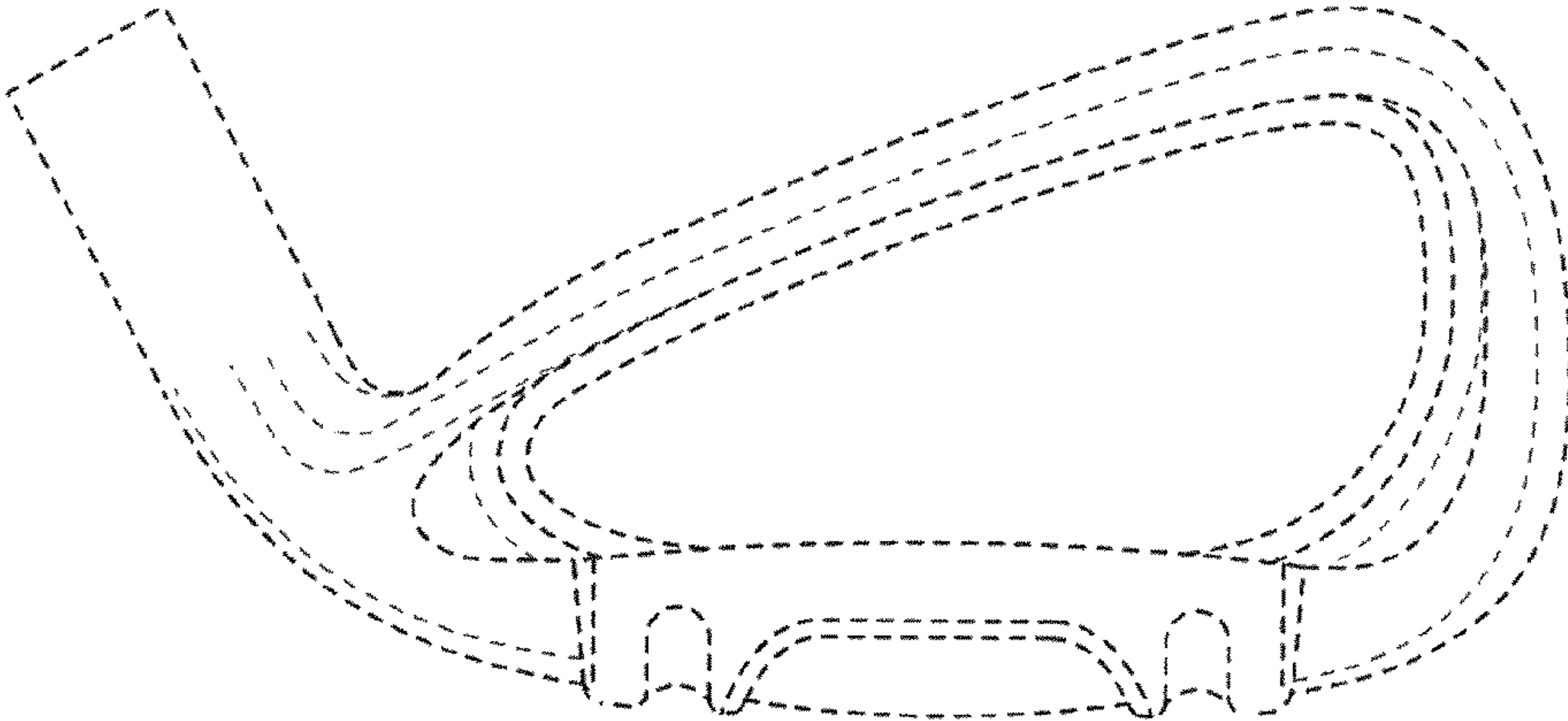


FIG. 2

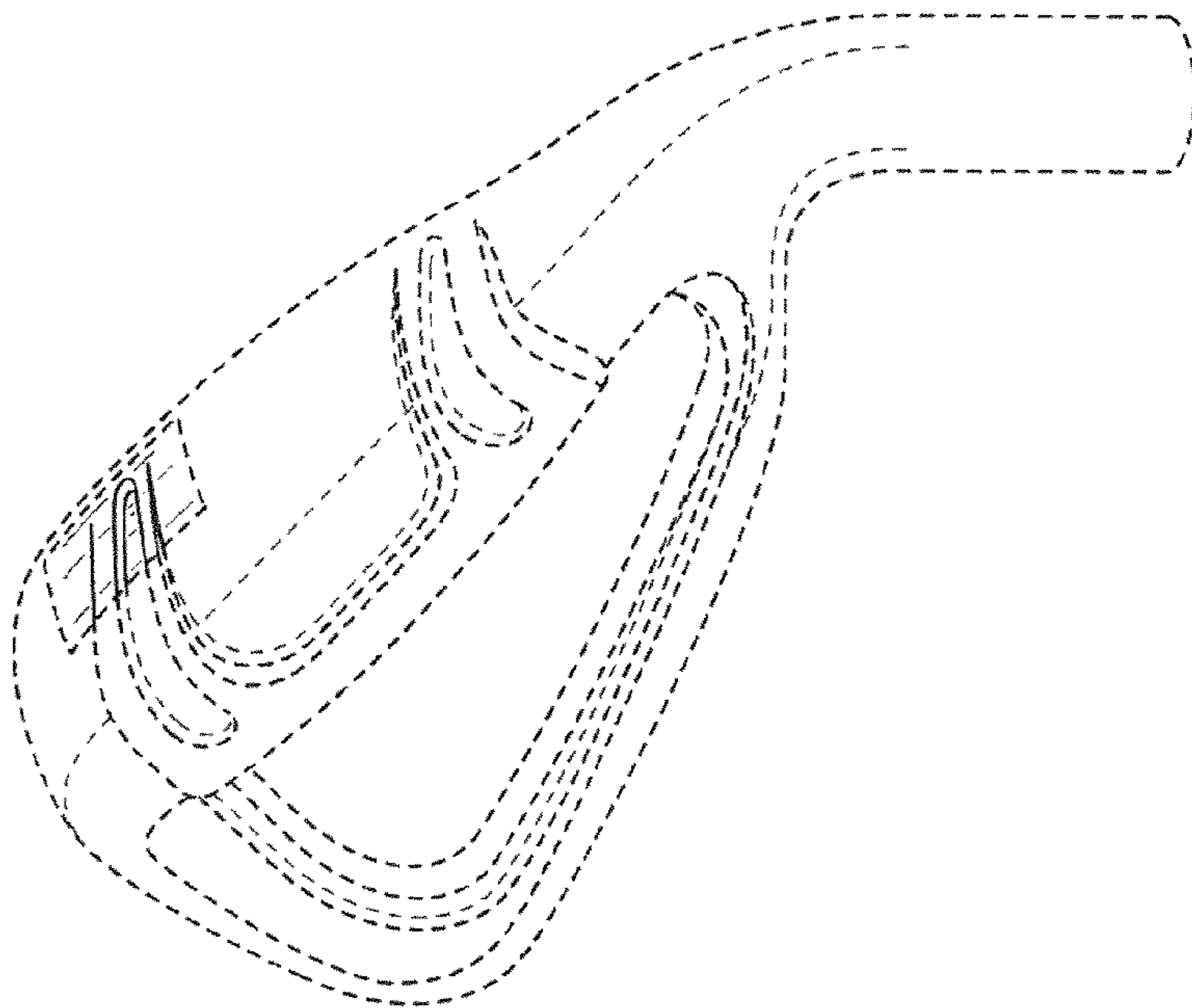


FIG. 4

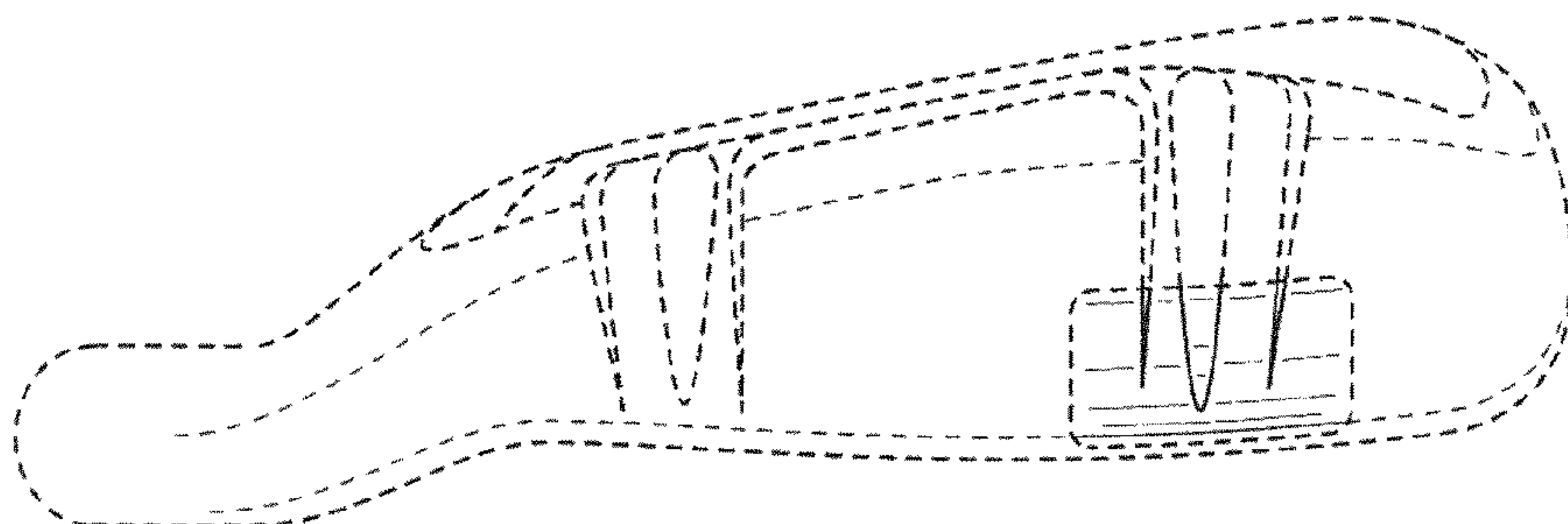


FIG. 3

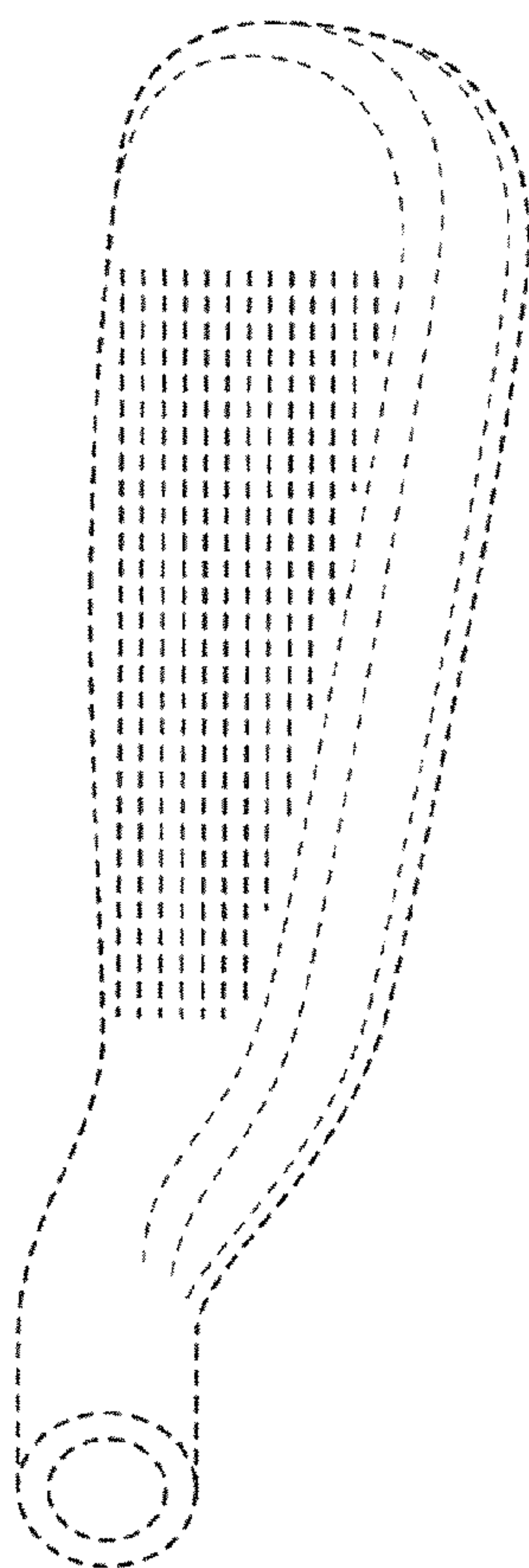


FIG. 5

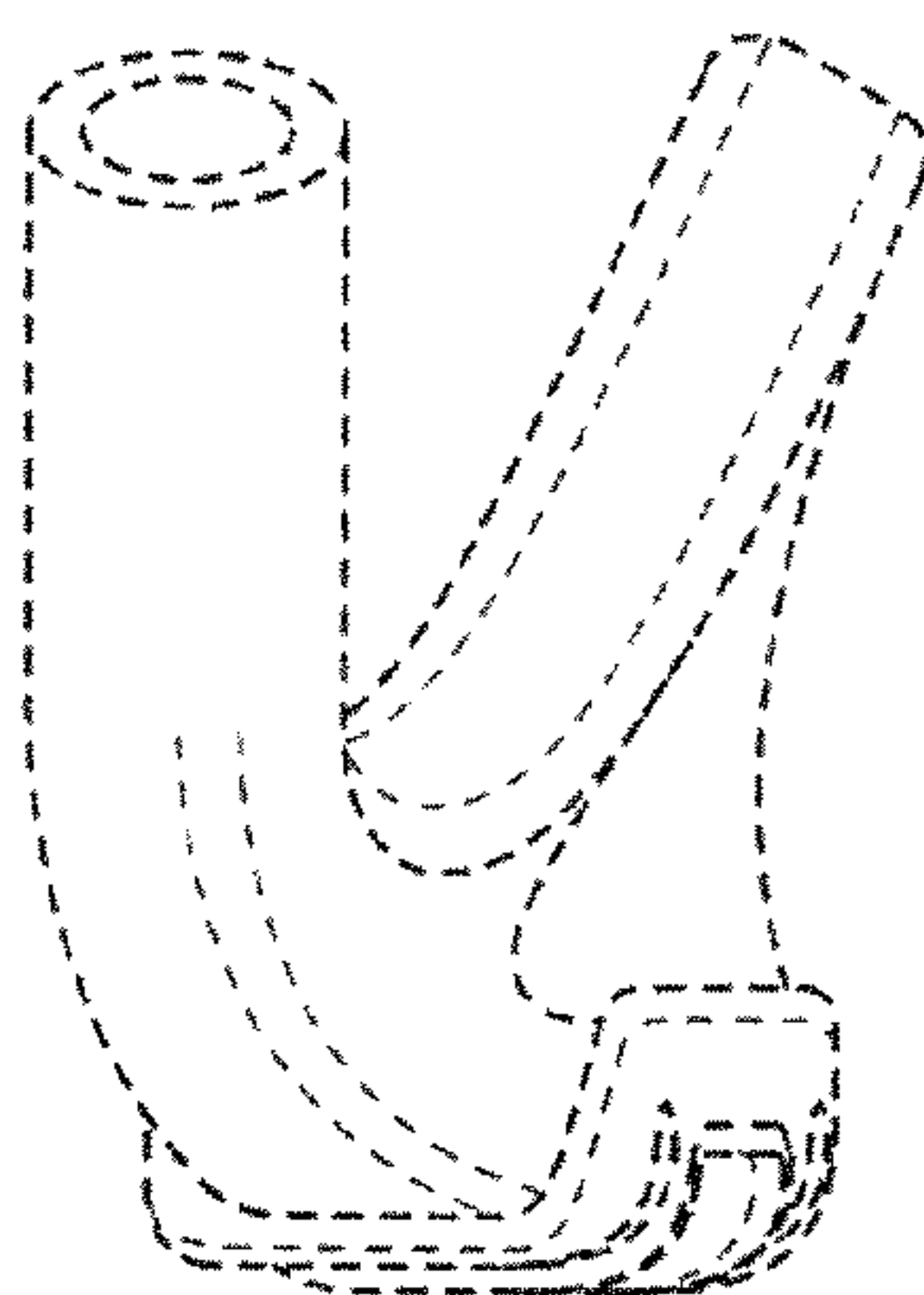


FIG. 6