



US00D658248S

(12) **United States Design Patent**  
**Nunez et al.**

(10) **Patent No.:** **US D658,248 S**  
(45) **Date of Patent:** **\*\* Apr. 24, 2012**

(54) **GOLF CLUB HEAD ATTACHMENT**

(75) Inventors: **Robert Nunez**, Vista, CA (US); **Chris Piniarski**, San Diego, CA (US); **Brian Bazzel**, Carlsbad, CA (US); **Sean Toulon**, Vista, CA (US); **Bret H. Wahl**, Escondido, CA (US); **Chris Schartiger**, Carlsbad, CA (US); **Peter L. Larsen**, San Marcos, CA (US)

(73) Assignee: **Taylor Made Golf Company, Inc.**, Carlsbad, CA (US)

(\*\*) Term: **14 Years**

(21) Appl. No.: **29/380,894**

(22) Filed: **Dec. 13, 2010**

(51) **LOC (9) Cl.** ..... **21-02**

(52) **U.S. Cl.** ..... **D21/759**

(58) **Field of Classification Search** ..... D21/747-751,  
D21/759; 473/324-331, 342, 350  
See application file for complete search history.

(56) **References Cited**

U.S. PATENT DOCUMENTS

D257,736	S	*	12/1980	Lyon et al.	.....	D21/750
5,176,384	A	*	1/1993	Safa et al.	.....	473/329
5,398,929	A	*	3/1995	Kitaichi	.....	473/329
5,403,007	A	*	4/1995	Chen	.....	473/342
5,447,311	A	*	9/1995	Viollaz et al.	.....	473/350
5,472,201	A	*	12/1995	Aizawa et al.	.....	473/329
5,643,103	A	*	7/1997	Aizawa	.....	473/350
D395,476	S	*	6/1998	Pond et al.	.....	D21/747
D399,276	S	*	10/1998	Hettinger et al.	.....	D21/747
D399,277	S	*	10/1998	Ezaki	.....	D21/747
D399,549	S	*	10/1998	Hettinger et al.	.....	D21/759
5,967,903	A	*	10/1999	Cheng	.....	473/342
D478,142	S	*	8/2003	Toulon et al.	.....	D21/759
D478,949	S	*	8/2003	DeLaCruz	.....	D21/747
6,929,564	B2	*	8/2005	Olsavsky et al.	.....	473/340

7,066,834	B2	*	6/2006	Yamamoto	.....	473/342
D530,764	S	*	10/2006	Frame et al.	.....	D21/759
D553,702	S	*	10/2007	Frame et al.	.....	D21/759
D575,367	S	*	8/2008	Grace	.....	D21/759
D577,781	S	*	9/2008	Grace	.....	D21/759
D578,589	S	*	10/2008	Grace	.....	D21/759
D596,686	S	*	7/2009	Grace	.....	D21/759
7,575,524	B2		8/2009	Willett et al.		
7,794,333	B2	*	9/2010	Wallans et al.	.....	473/331
2005/0130764	A1	*	6/2005	Frame	.....	473/340
2008/0149267	A1		6/2008	Chao		
2009/0264218	A1		10/2009	Willett et al.		

\* cited by examiner

*Primary Examiner* — Mitchell Siegel

(74) *Attorney, Agent, or Firm* — Klarquist Sparkman, LLP

(57) **CLAIM**

We claim the ornamental design for a golf club head attachment, as shown and described.

**DESCRIPTION**

FIG. 1 is a perspective view of a golf club head attachment, as viewed from the front, above and one side, according to one embodiment.

FIG. 2 is a front elevation view of the golf club head attachment of FIG. 1.

FIG. 3 is a rear elevation view of the golf club head attachment of FIG. 1.

FIG. 4 is a side elevation view of one side of the golf club head attachment of FIG. 1.

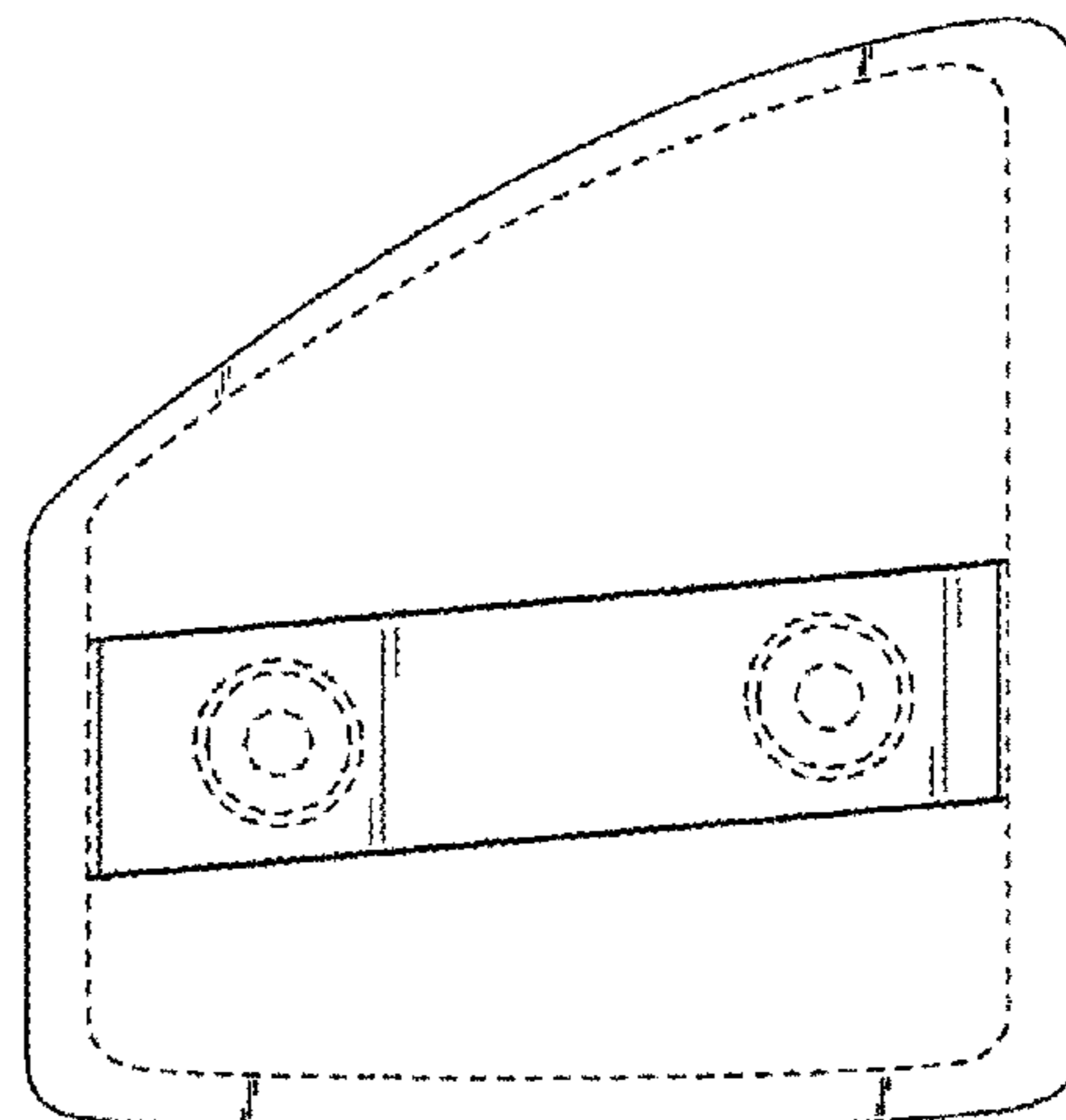
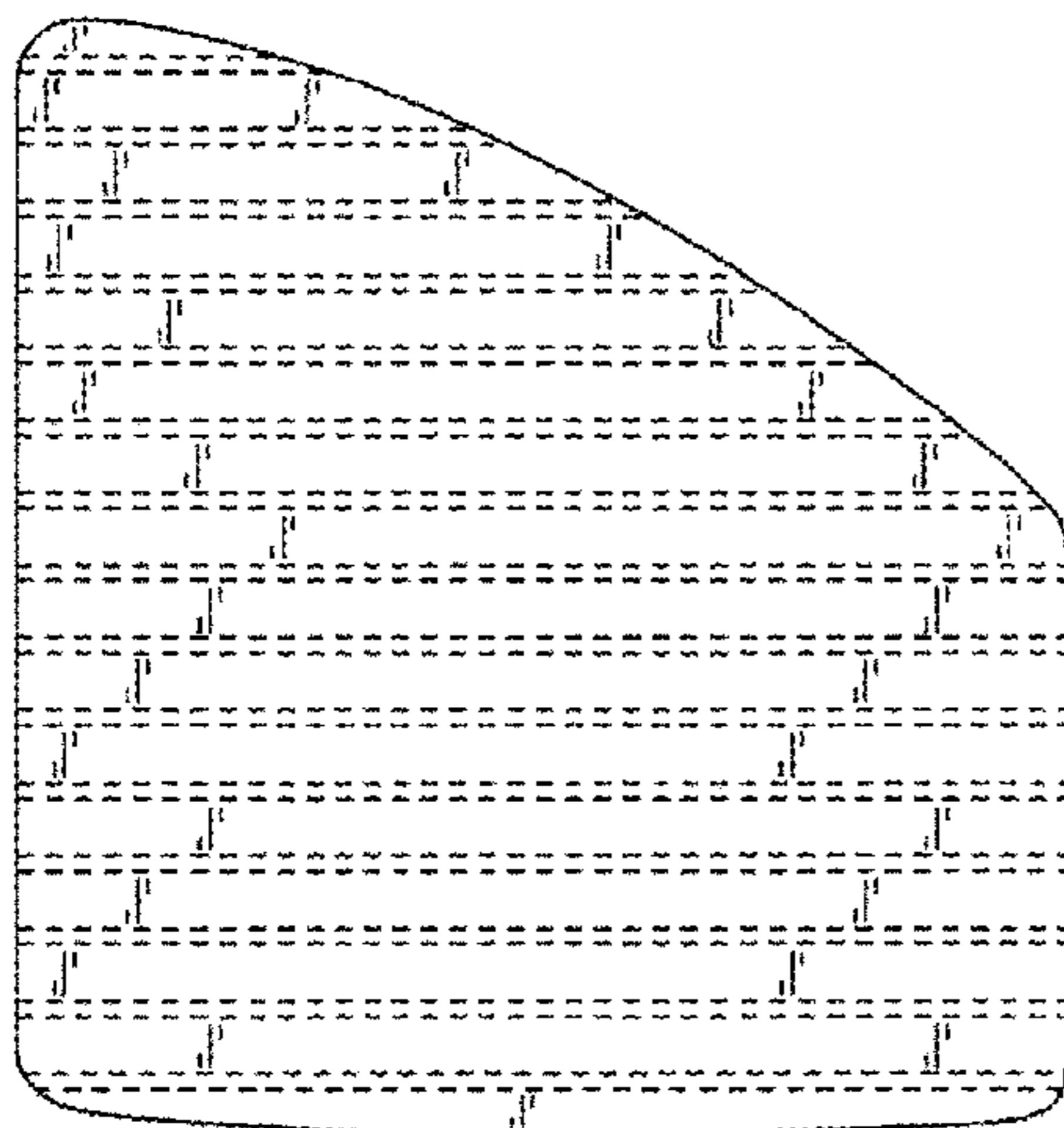
FIG. 5 is a side elevation view of the other side of the golf club head attachment of FIG. 1.

FIG. 6 is a top plan view of the golf club head attachment of FIG. 1; and,

FIG. 7 is a bottom plan view of the golf club head attachment of FIG. 1.

The dashed lines in the drawings are for illustrative purpose only and form no part of the claimed design.

**1 Claim, 4 Drawing Sheets**



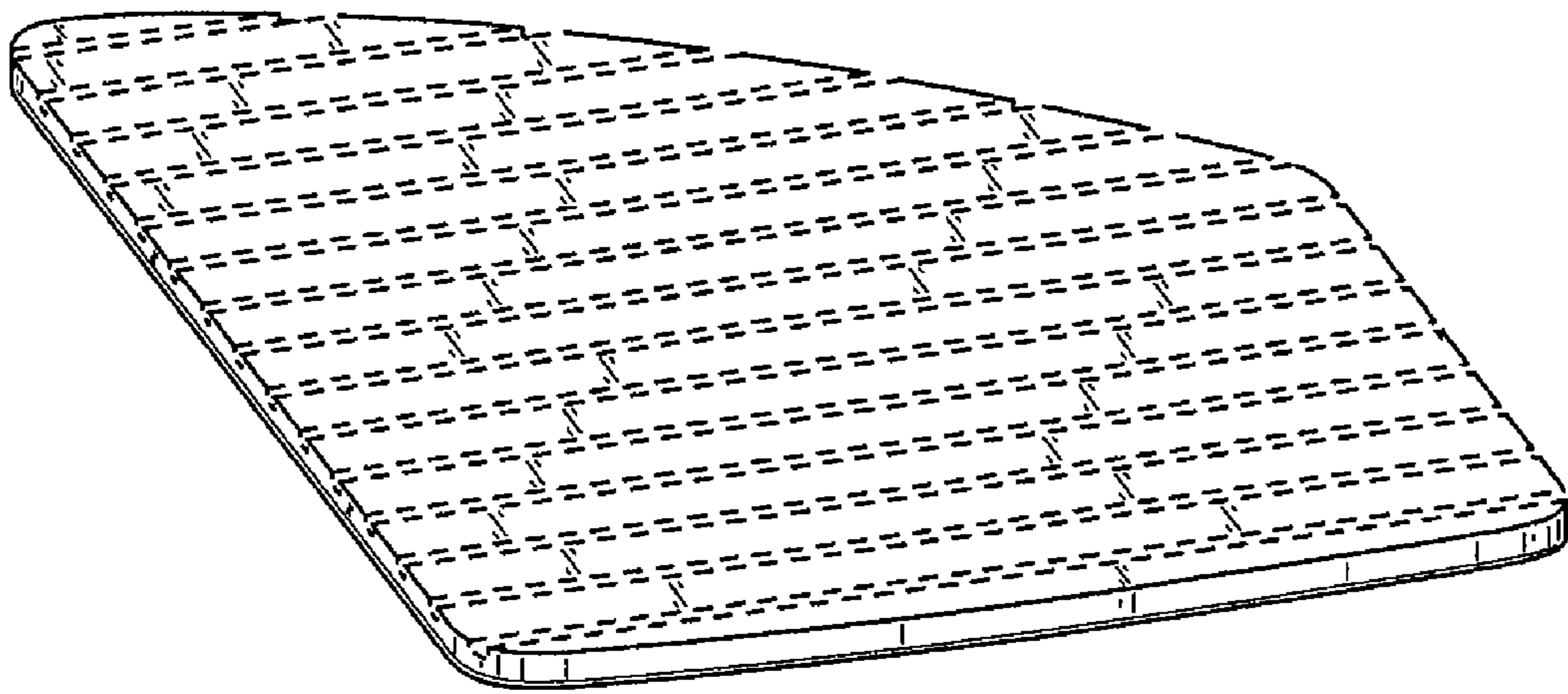


FIG. 1

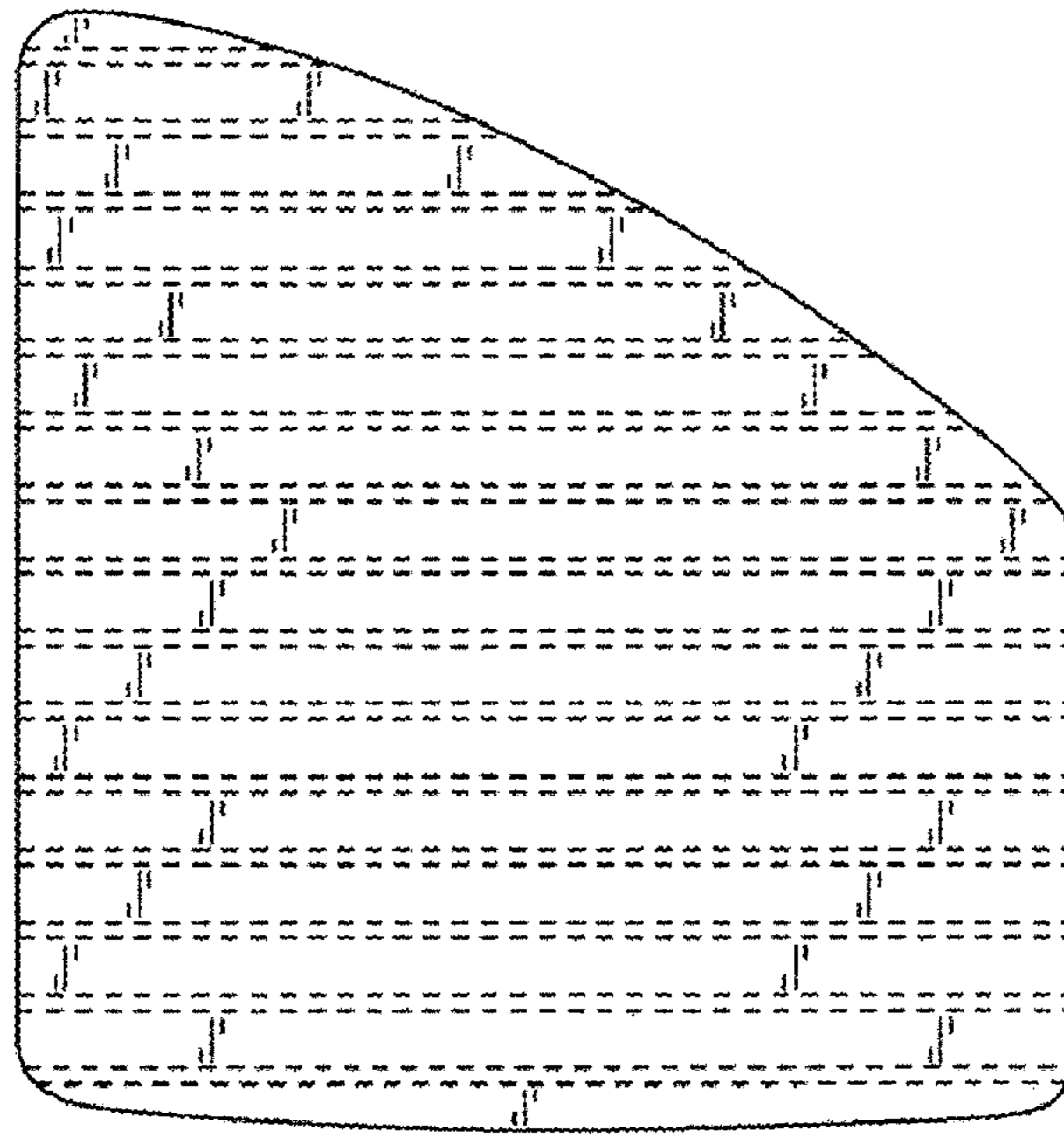


FIG. 2

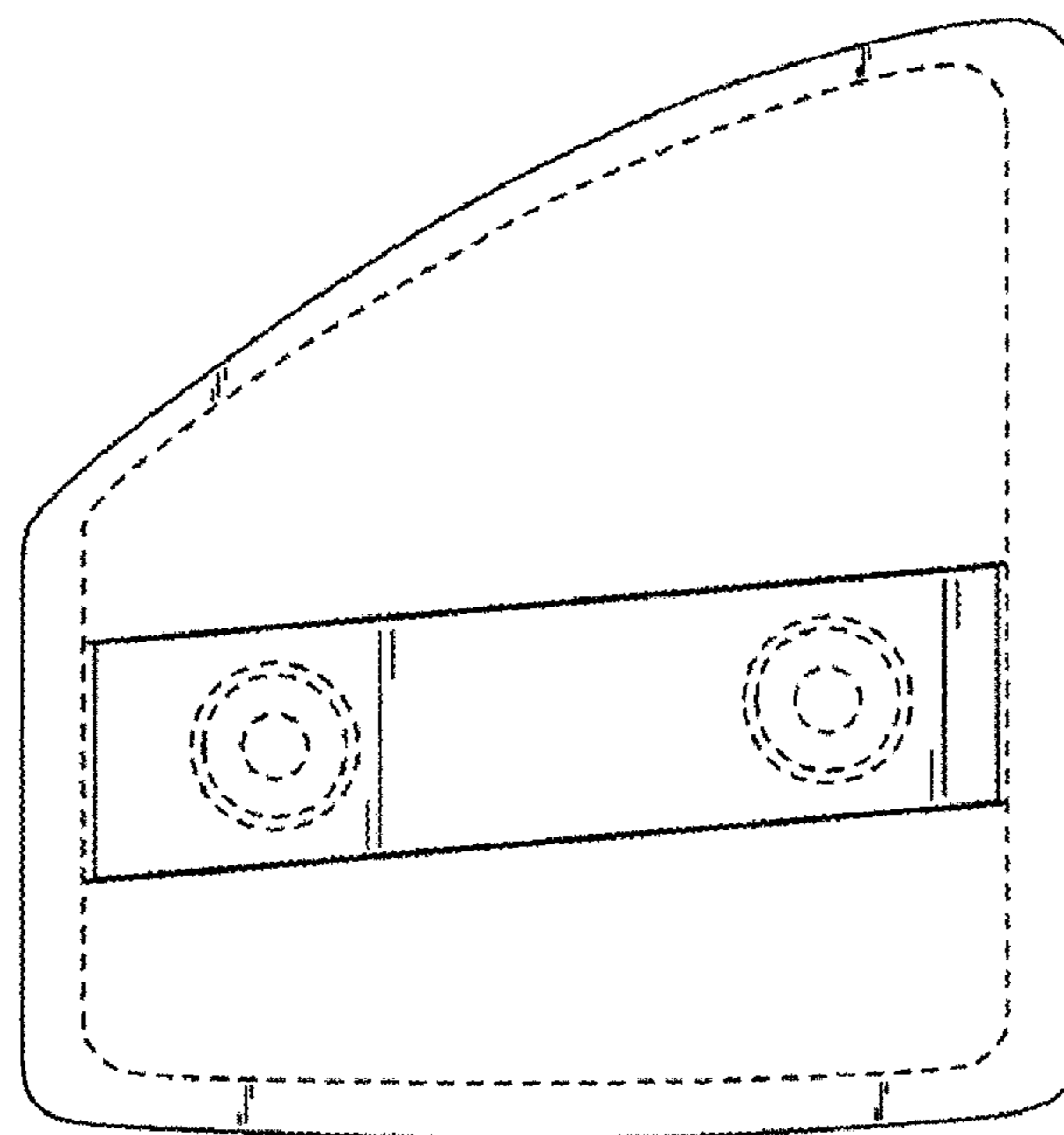


FIG. 3



FIG. 4

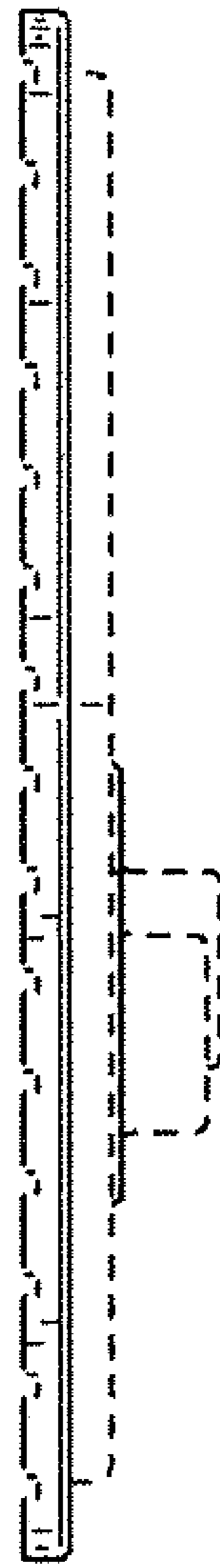


FIG. 5

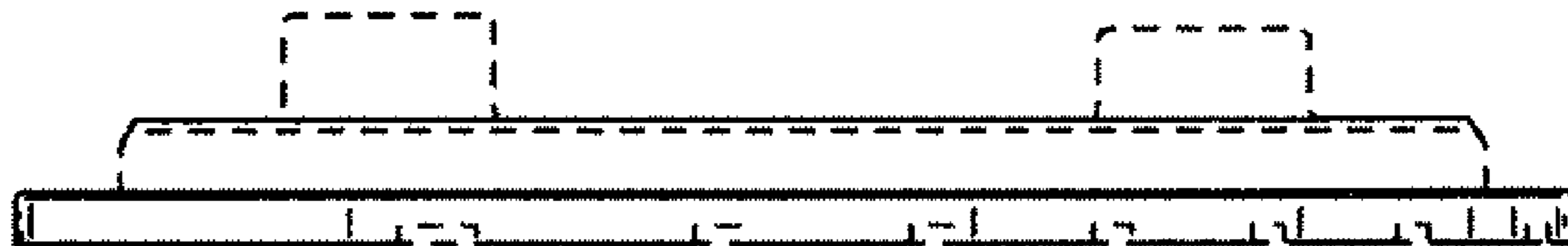


FIG. 6

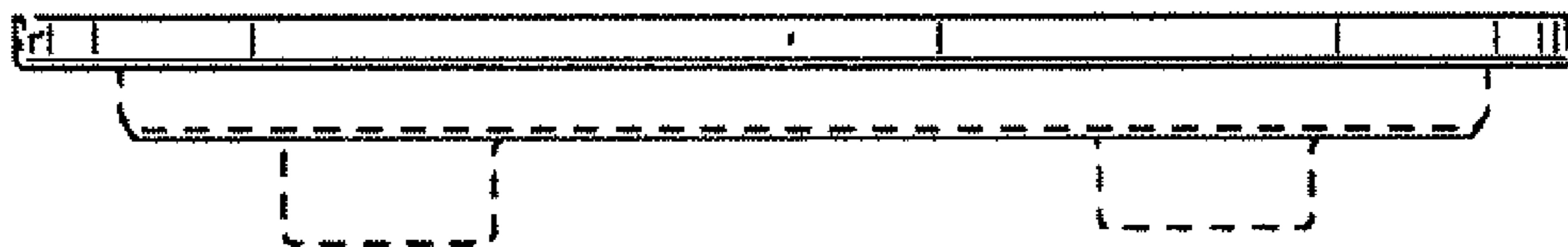


FIG. 7