



US00D658246S

(12) **United States Design Patent**
Oldknow et al.

(10) **Patent No.:** **US D658,246 S**

(45) **Date of Patent:** **** Apr. 24, 2012**

(54) **GOLF CLUB HEAD FOR A PUTTER**

(75) Inventors: **Andrew G. V. Oldknow**, Beaverton, OR (US); **Carl Jonsson**, Portland, OR (US); **Patrick Triato**, Portland, OR (US); **Jason Martin**, Lake Oswego, OR (US)

(73) Assignee: **NIKE, Inc.**, Beaverton, OR (US)

(**) Term: **14 Years**

(21) Appl. No.: **29/409,305**

(22) Filed: **Dec. 21, 2011**

(51) **LOC (9) Cl.** **21-02**

(52) **U.S. Cl.** **D21/736**

(58) **Field of Classification Search** D21/736-746,
D21/759; 473/324-331, 340-341, 251-256
See application file for complete search history.

(56) **References Cited**

U.S. PATENT DOCUMENTS

3,064,975	A	11/1962	Smith	
D239,454	S *	4/1976	Giambazi	D21/746
D334,039	S	3/1993	Tanaka	
5,273,282	A *	12/1993	Cannon	473/252
5,441,272	A *	8/1995	Ugarte	473/251
D380,513	S *	7/1997	Noda	D21/736
D405,136	S *	2/1999	Behling	D21/736
6,017,281	A *	1/2000	Behling	473/330
D422,042	S	3/2000	Whitley et al.	
D485,880	S	1/2004	Madore et al.	
D493,857	S *	8/2004	Cameron	D21/738
D499,781	S	12/2004	Stites et al.	
D499,782	S	12/2004	Stites et al.	
D507,316	S	7/2005	Li	
D523,102	S	6/2006	Stites et al.	
D529,108	S	9/2006	Stites et al.	
D565,680	S *	4/2008	Gedeon	D21/736

7,396,294	B2 *	7/2008	Consiglio	473/332
7,404,772	B2 *	7/2008	Koide et al.	473/334
7,445,562	B2 *	11/2008	Sano	473/332
D583,431	S	12/2008	Madore et al.	
D592,716	S *	5/2009	Pedraza	D21/736
7,722,477	B2 *	5/2010	Consiglio	473/332
2006/0100028	A1 *	5/2006	Kuo	473/334

OTHER PUBLICATIONS

Edwin Watts Golf Catalog, Holiday 2004, pp. 19 and 25, published Holiday 2004.

Austad's Golf Catalog, Spring 2008, pp. 24 and 25, published 2008.

* cited by examiner

Primary Examiner — Mitchell Siegel

(74) *Attorney, Agent, or Firm* — Banner & Witcoff, Ltd.

(57) **CLAIM**

The ornamental design for a golf club head for a putter, as shown and described.

DESCRIPTION

FIG. 1 is a top perspective view of a golf club head for a putter showing our new design;

FIG. 2 is a bottom perspective view thereof;

FIG. 3 is a top view thereof;

FIG. 4 is a bottom view thereof;

FIG. 5 is a front view thereof;

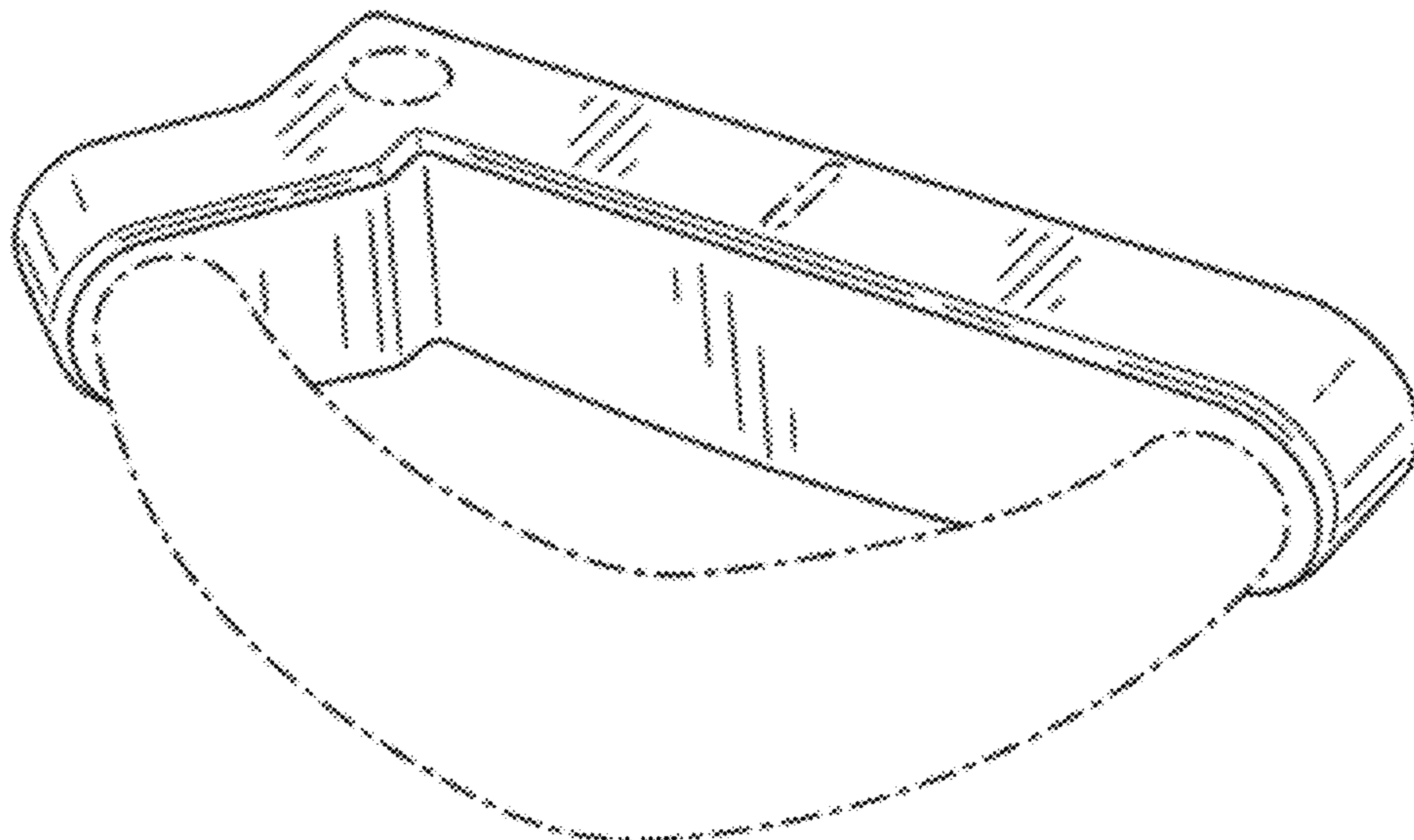
FIG. 6 is a rear view thereof;

FIG. 7 is a right side view thereof; and,

FIG. 8 is a left side view thereof.

The broken lines immediately adjacent to the shaded area represent unclaimed boundaries of the design. The broken lines showing the remainder of the golf club head are for environmental purposes only and form no part of the claimed design.

1 Claim, 4 Drawing Sheets



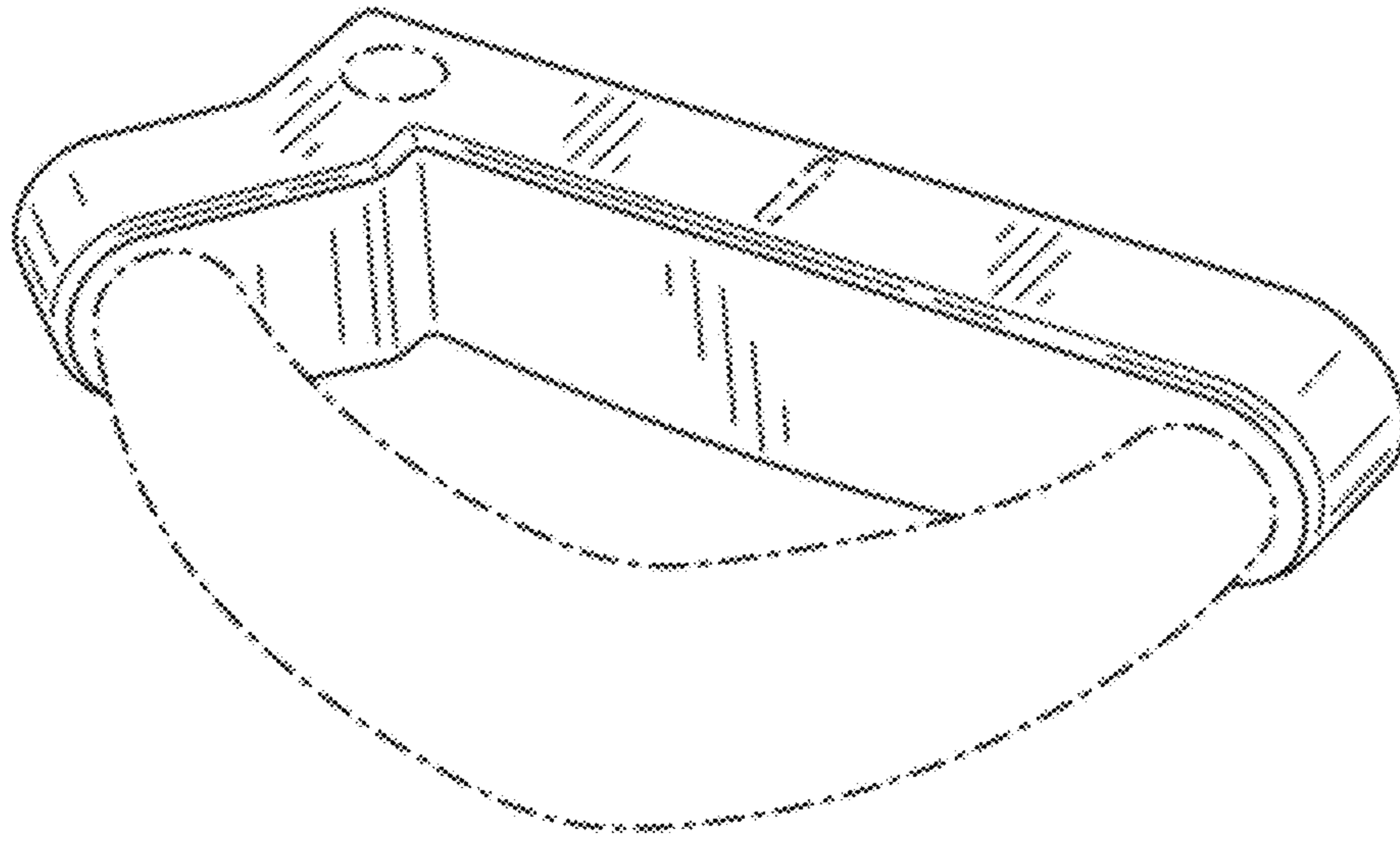


FIG. 1

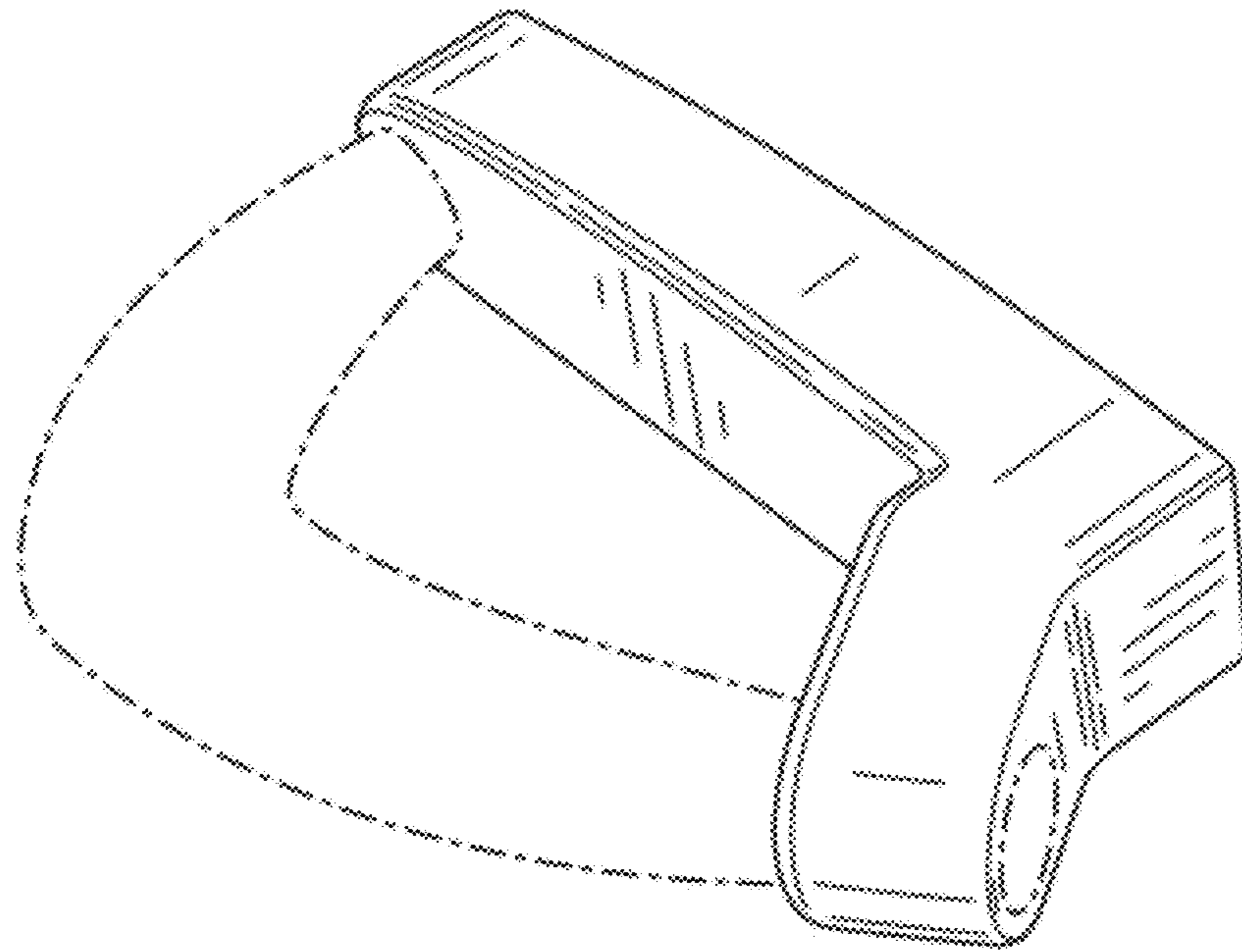


FIG. 2

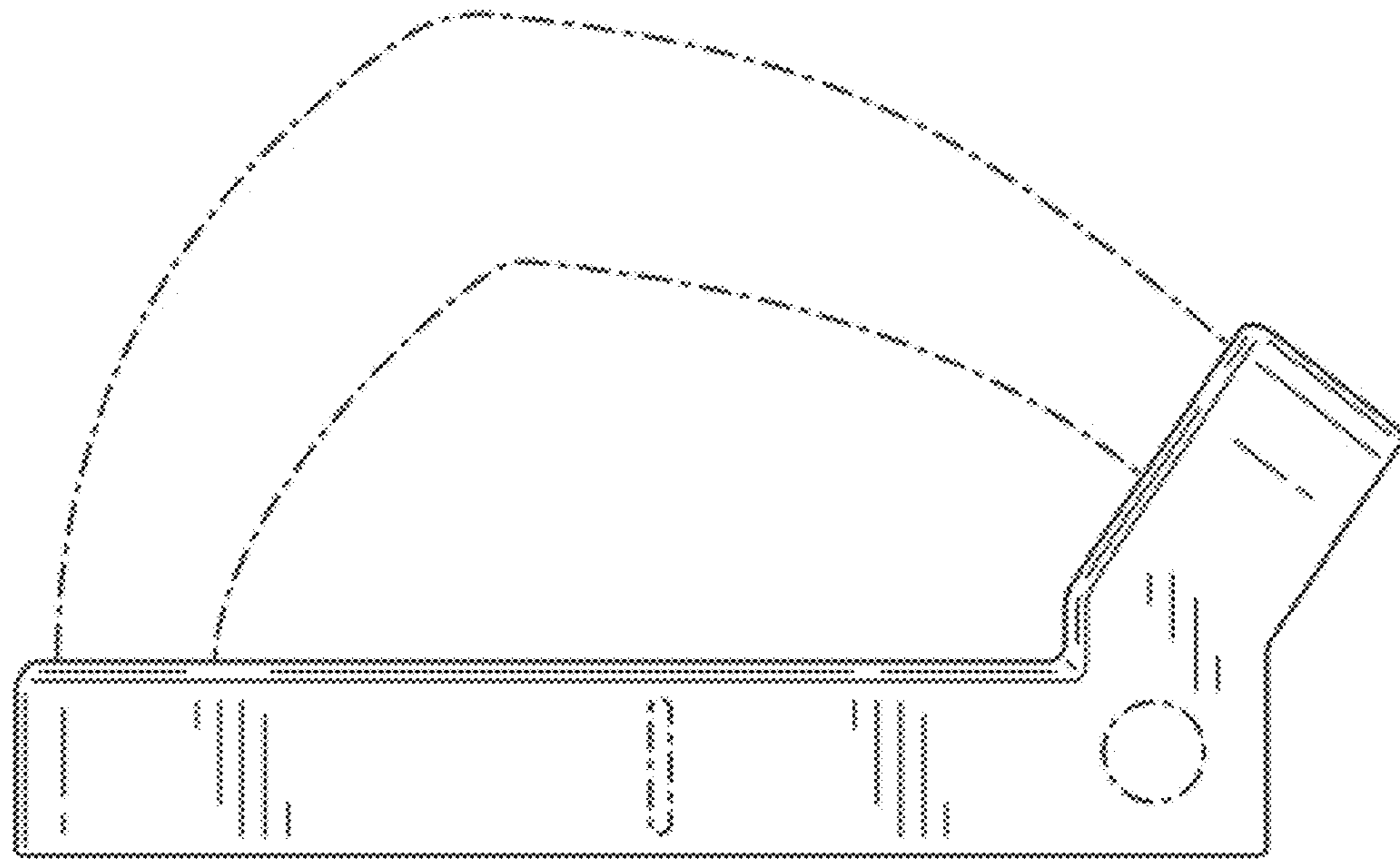


FIG. 3

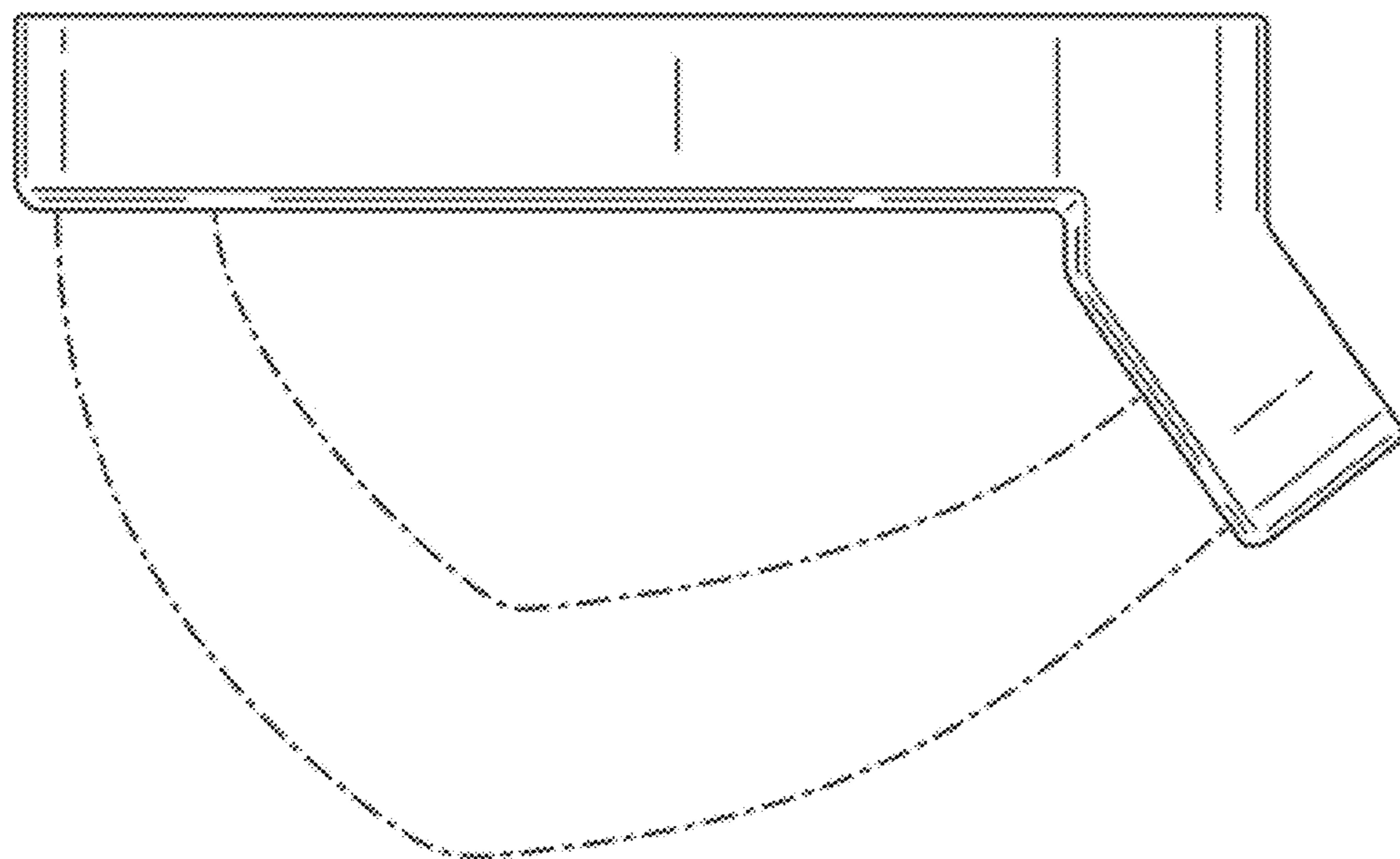


FIG. 4

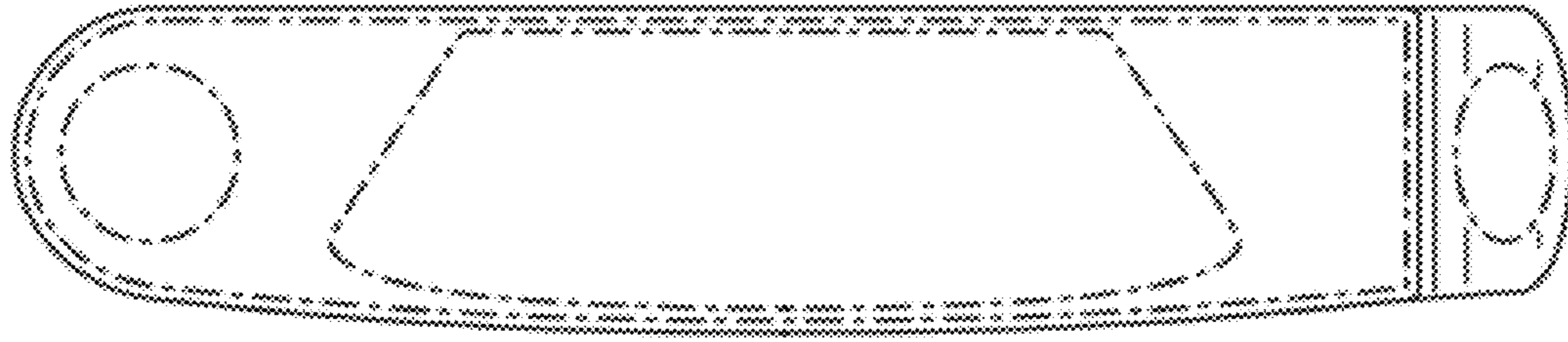


FIG. 5

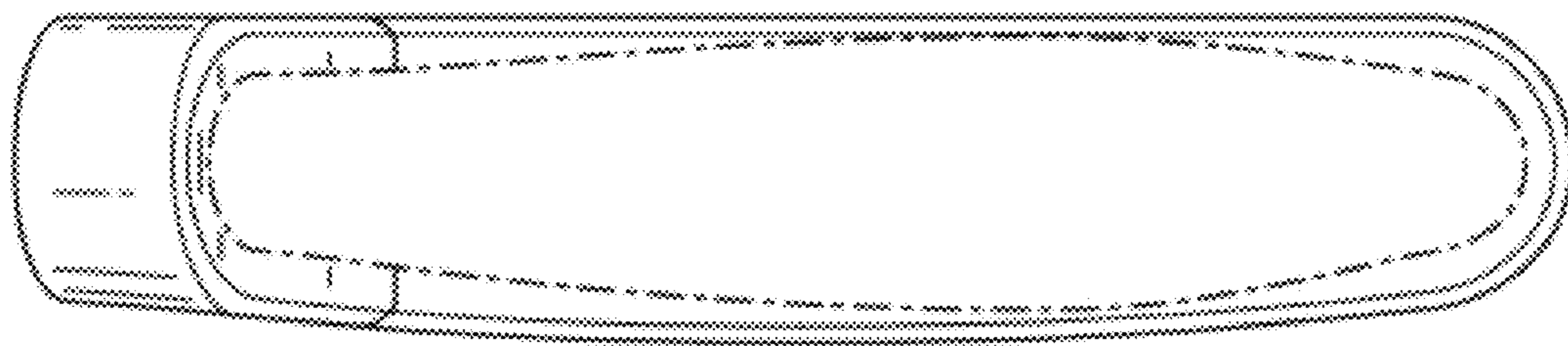


FIG. 6

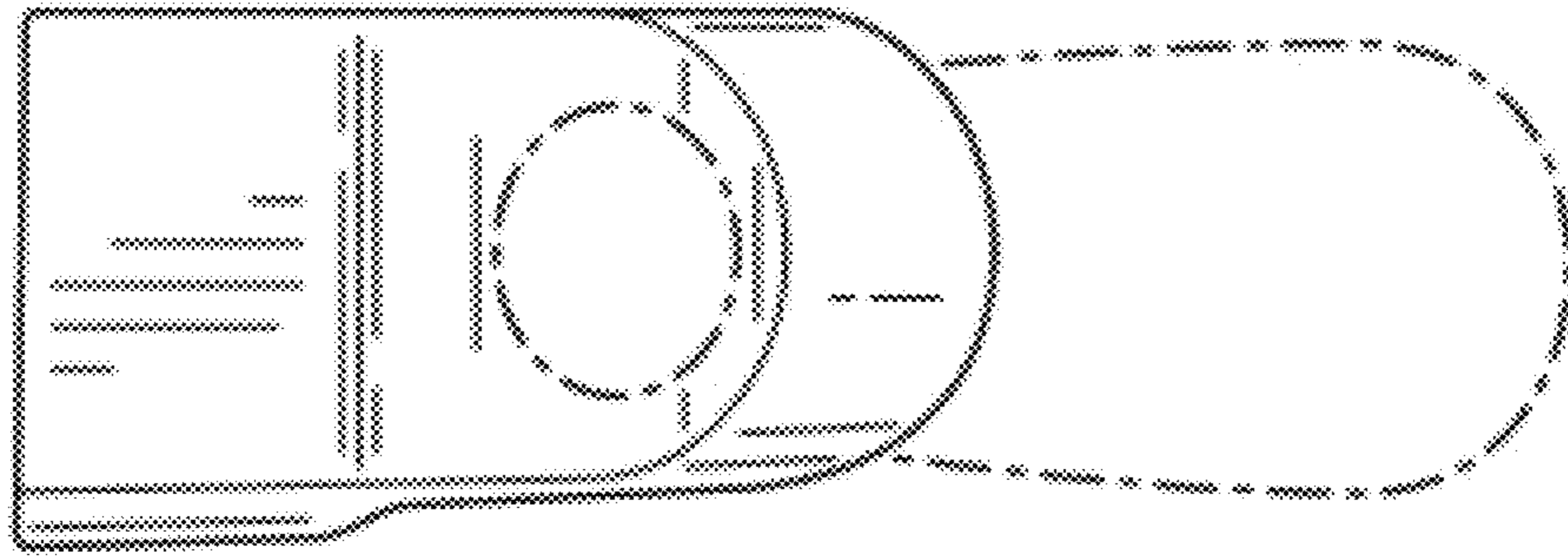


FIG. 7

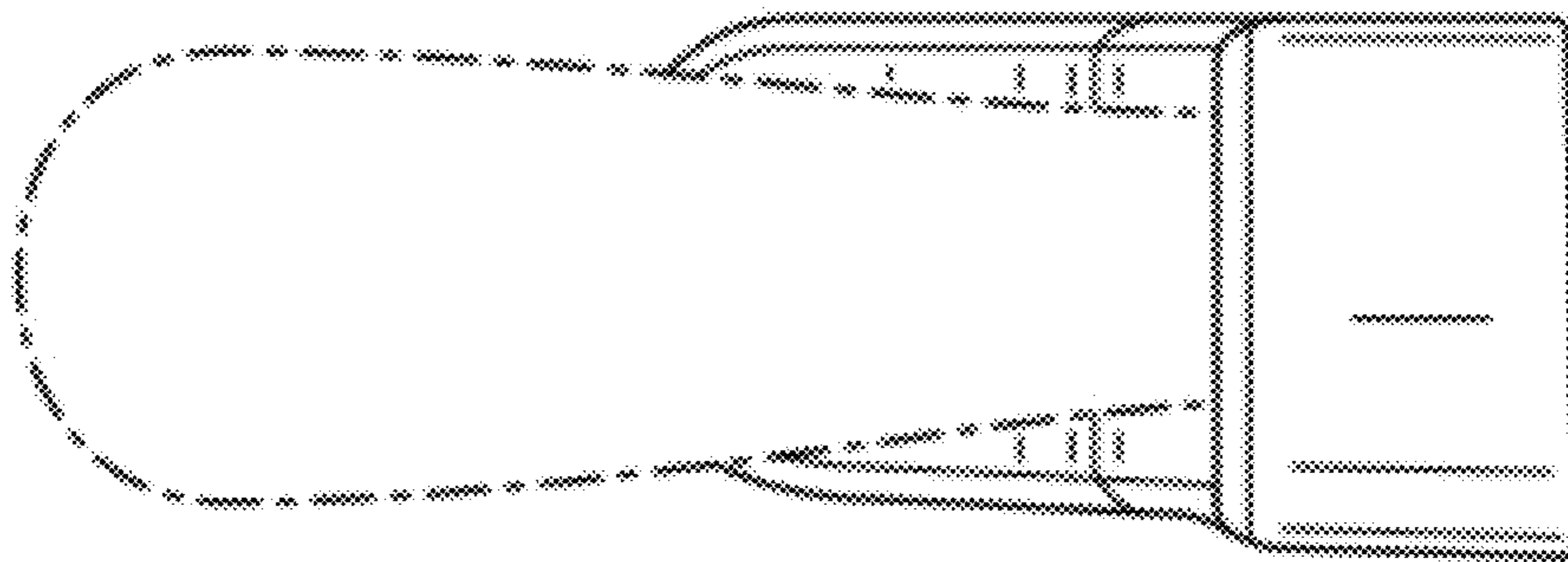


FIG. 8