



US00D658245S

(12) **United States Design Patent**
Oldknow et al.

(10) **Patent No.:** **US D658,245 S**
(45) **Date of Patent:** **** Apr. 24, 2012**

(54) **GOLF CLUB HEAD FOR A PUTTER**

(75) Inventors: **Andrew G. V. Oldknow**, Beaverton, OR (US); **Carl Jonsson**, Portland, OR (US); **Patrick Triato**, Portland, OR (US); **Jason Martin**, Lake Oswego, OR (US)

(73) Assignee: **NIKE, Inc**, Beaverton, OR (US)

(**) Term: **14 Years**

(21) Appl. No.: **29/409,291**

(22) Filed: **Dec. 21, 2011**

(51) **LOC (9) Cl.** **21-02**

(52) **U.S. Cl.** **D21/736**

(58) **Field of Classification Search** D21/736-746,
D21/759; 473/324-331, 340-341, 251-256
See application file for complete search history.

(56) **References Cited**

U.S. PATENT DOCUMENTS

D359,330 S	6/1995	Channell	
5,580,058 A	12/1996	Coughlin	
D399,274 S	10/1998	Bradford	
D421,471 S	3/2000	Moldovan	
D422,041 S	3/2000	Bradford	
D516,655 S	3/2006	Madore	
D520,584 S	5/2006	Karlsen	
D529,109 S	9/2006	Jones	
D531,242 S	10/2006	Adams	
D532,844 S *	11/2006	Rollinson	D21/736
D532,845 S *	11/2006	Rollinson	D21/736
D534,974 S *	1/2007	Haack	D21/743
D540,897 S	4/2007	Oldknow et al.	
D541,361 S	4/2007	Oldknow et al.	
D541,362 S	4/2007	Oldknow et al.	
D542,869 S	5/2007	Adams	
D546,407 S	7/2007	Oldknow et al.	
D564,607 S	3/2008	Oldknow et al.	
D564,612 S *	3/2008	Oldknow et al.	D21/759
D565,137 S *	3/2008	Oldknow et al.	D21/736
D565,141 S	3/2008	Oldknow et al.	
D565,142 S	3/2008	Oldknow et al.	
D568,954 S *	5/2008	Oldknow et al.	D21/759

D573,673 S *	7/2008	Noyes	D21/736
D574,908 S *	8/2008	Hettinger et al.	D21/743
D577,398 S *	9/2008	Hilton	D21/744
D582,497 S *	12/2008	Rollinson	D21/744
D589,575 S *	3/2009	Kim et al.	D21/744
D590,461 S *	4/2009	Kim et al.	D21/743
D591,807 S *	5/2009	Rollinson	D21/744
D595,370 S *	6/2009	Ines et al.	D21/736
D595,373 S *	6/2009	Kim et al.	D21/744
D600,295 S	9/2009	Meeks	
D600,759 S	9/2009	Cokewell	
D600,762 S *	9/2009	Serrano et al.	D21/743
D604,787 S	11/2009	Hopkins	
D606,139 S *	12/2009	Ines et al.	D21/736

(Continued)

OTHER PUBLICATIONS

Edwin Watts Golf Catalog, Spring 2010, pp. 18, published Spring 2010.

(Continued)

Primary Examiner — Mitchell Siegel

(74) *Attorney, Agent, or Firm* — Banner & Witcoff, Ltd.

(57) **CLAIM**

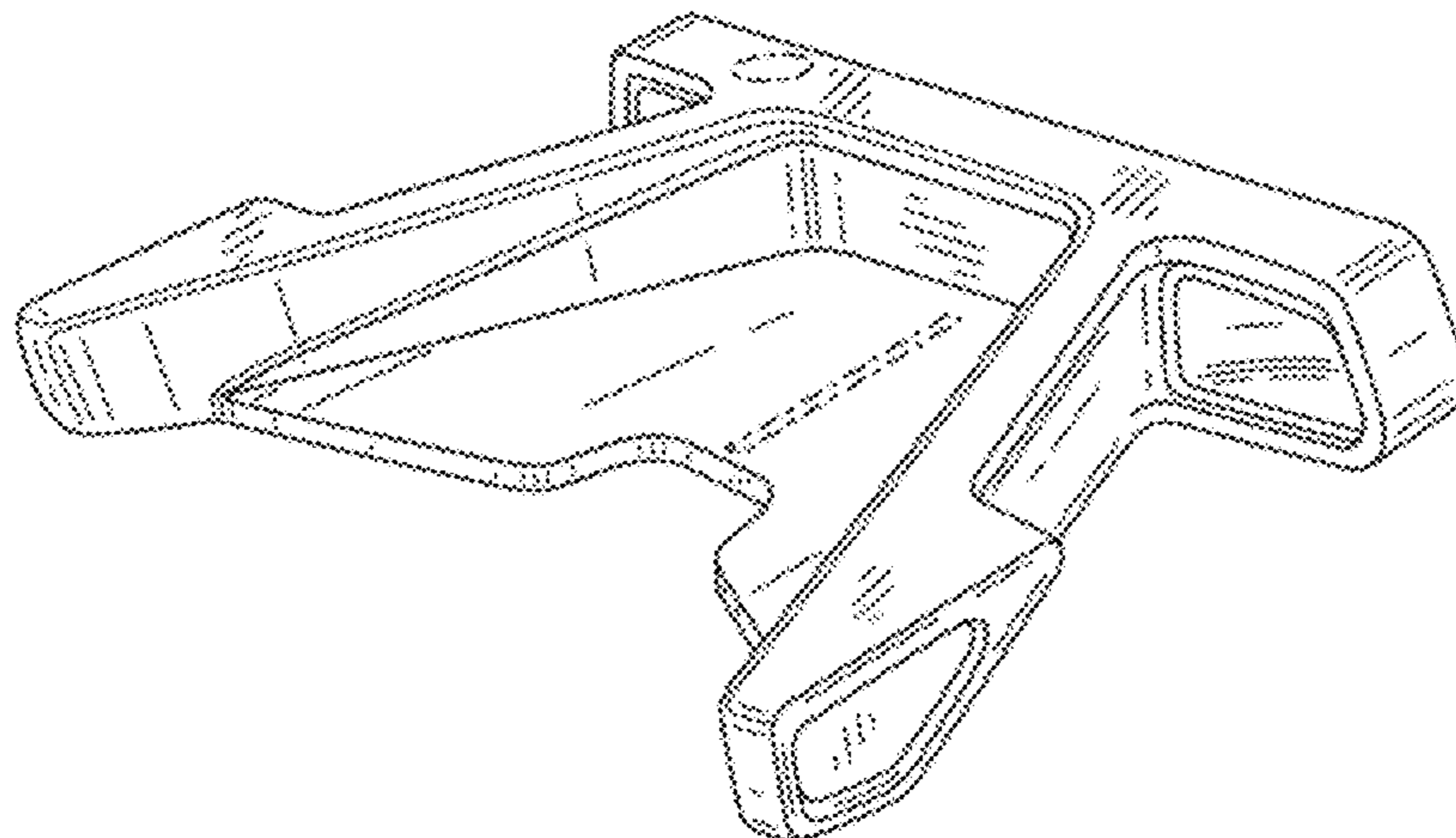
The ornamental design for a golf club head for a putter, as shown and described.

DESCRIPTION

FIG. 1 is a top perspective view of a golf club head for a putter showing our new design;
FIG. 2 is a bottom perspective view thereof;
FIG. 3 is a top view thereof;
FIG. 4 is a bottom view thereof;
FIG. 5 is a front view thereof;
FIG. 6 is a rear view thereof;
FIG. 7 is a right side view thereof; and,
FIG. 8 is a left side view thereof.

The broken line showing of various elements within the shaded area are for environmental purposes only and form no part of the claimed design.

1 Claim, 4 Drawing Sheets



US D658,245 S

Page 2

U.S. PATENT DOCUMENTS

D607,952 S * 1/2010 Demkowski et al. D21/743
D619,666 S 7/2010 DePaul
D621,458 S * 8/2010 Serrano et al. D21/736
D621,460 S 8/2010 Serrano et al.
D627,840 S 11/2010 Cameron
7,828,675 B2 11/2010 Hilton
D633,970 S * 3/2011 Cardani D21/759
D636,829 S * 4/2011 Cardani D21/759
D636,830 S * 4/2011 Cardani D21/759
D638,891 S * 5/2011 Nicolette et al. D21/736
D643,485 S * 8/2011 Nicolette et al. D21/736
2007/0191135 A1 8/2007 Nilsson et al.
2008/0194352 A1 8/2008 Cokewell

2009/0305807 A1 12/2009 Solheim et al.
2010/0167836 A1 7/2010 Horii et al.
2011/0111884 A1 5/2011 Franklin et al.

OTHER PUBLICATIONS

Edwin Watts Golf Catalog, Late Spring 2010, pp. 14, published Late Spring 2010.

Nike Unitized Arrow Putter, announcement date unknown, but prior to filing [online], [site visited Oct. 2011]. Available from Internet, <URL: <http://www.edwinwattsgolf.com>>.

Ping Sydney Putter, announcement date unknown, but prior to thing [online], [site visited Oct. 2011]. Available from Internet, <URL: <http://www.edwinwattsgolf.com>>.

* cited by examiner

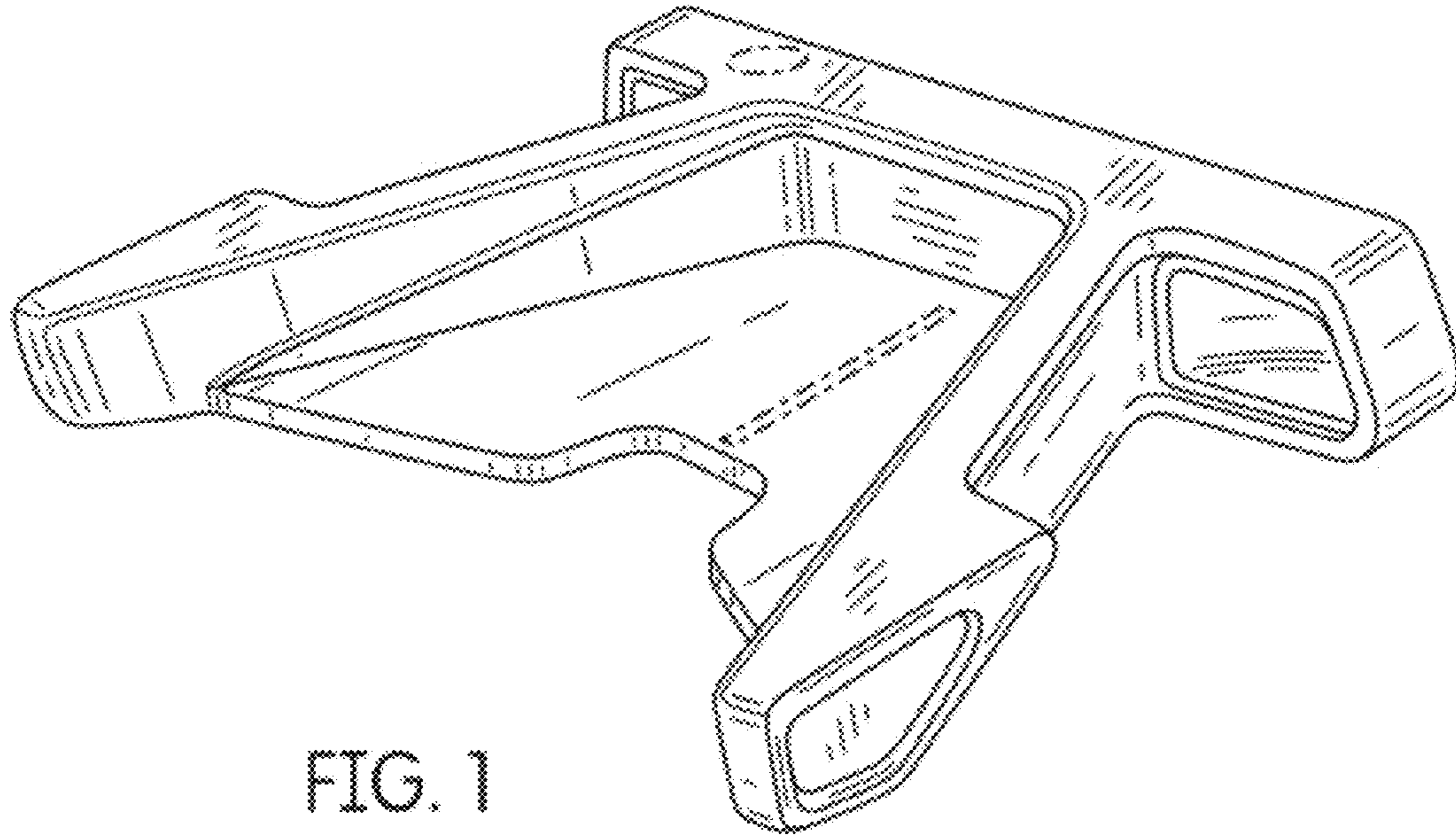


FIG. 1

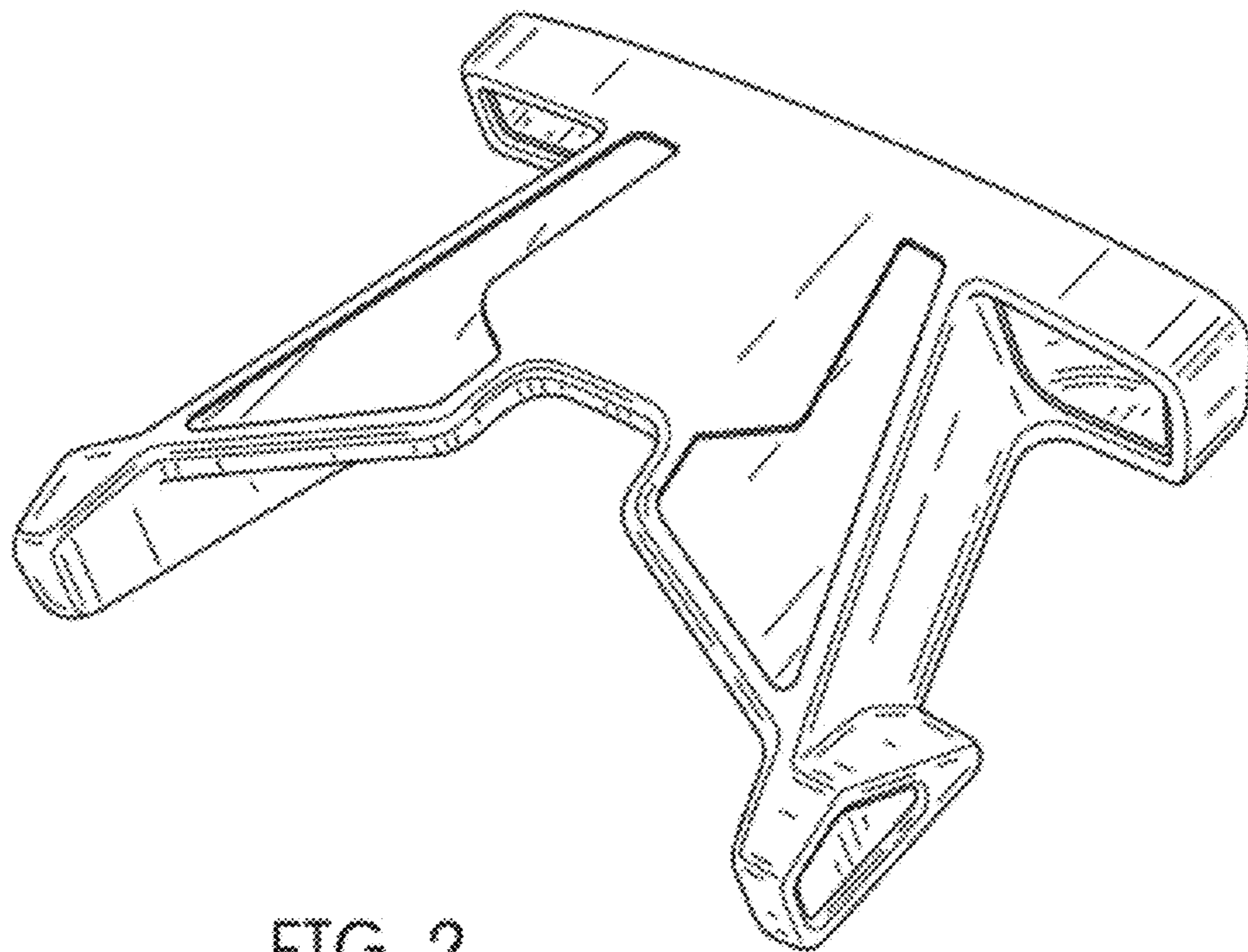


FIG. 2

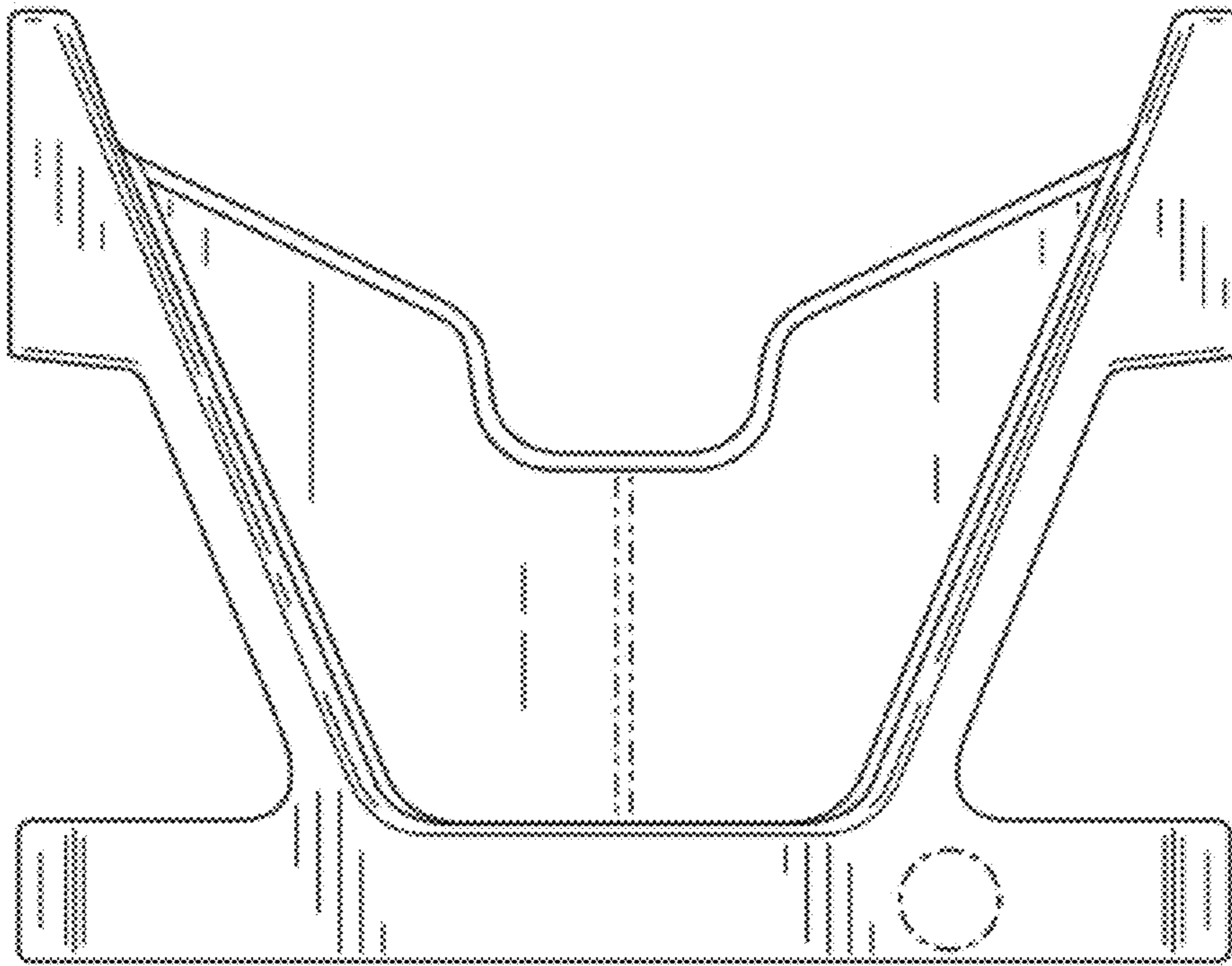


FIG. 3

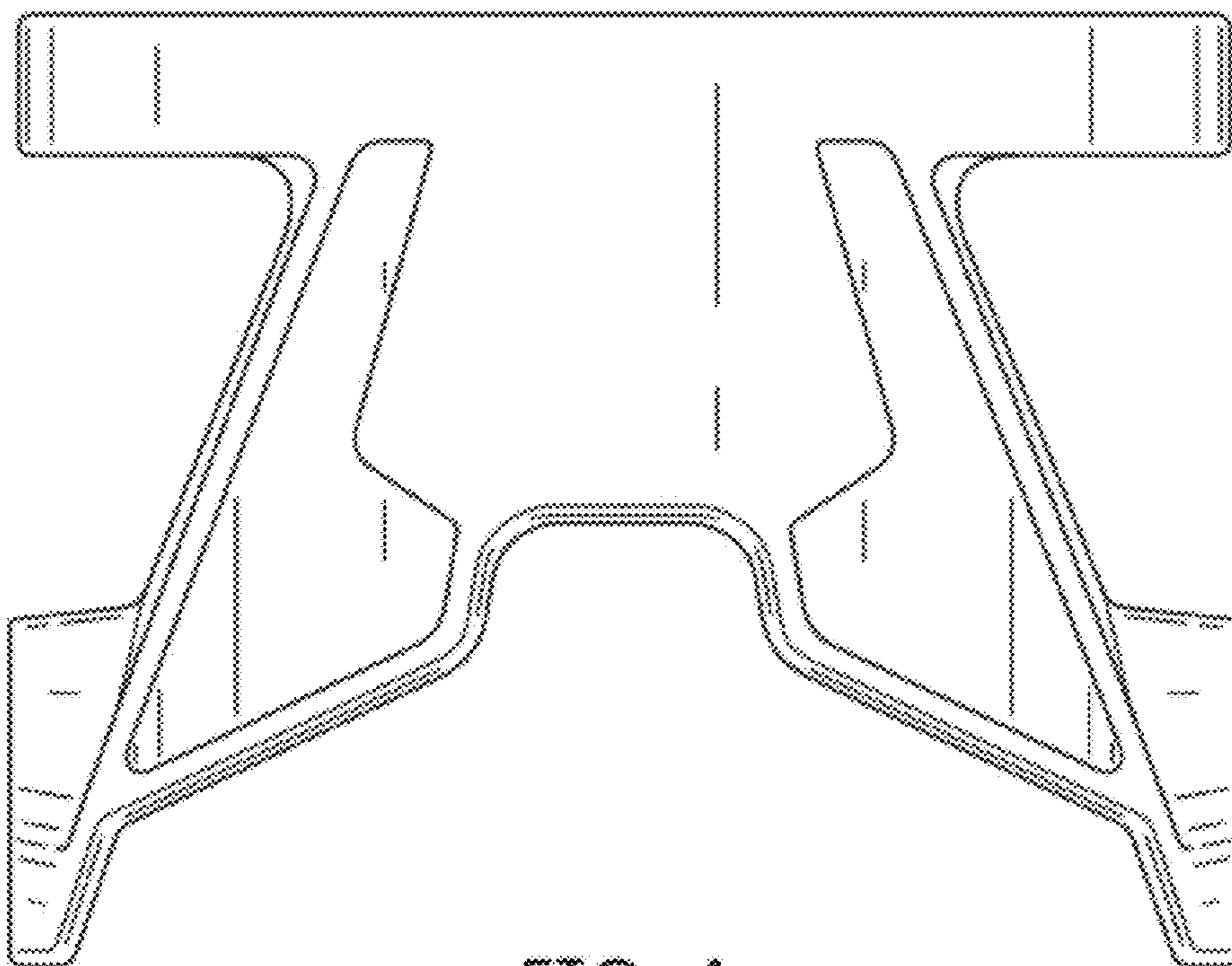


FIG. 4

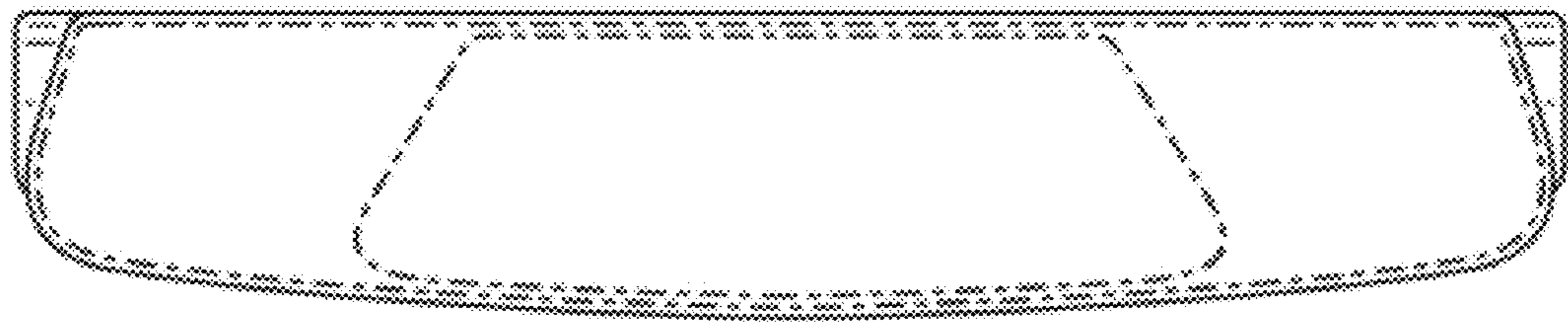


FIG. 5



FIG. 6

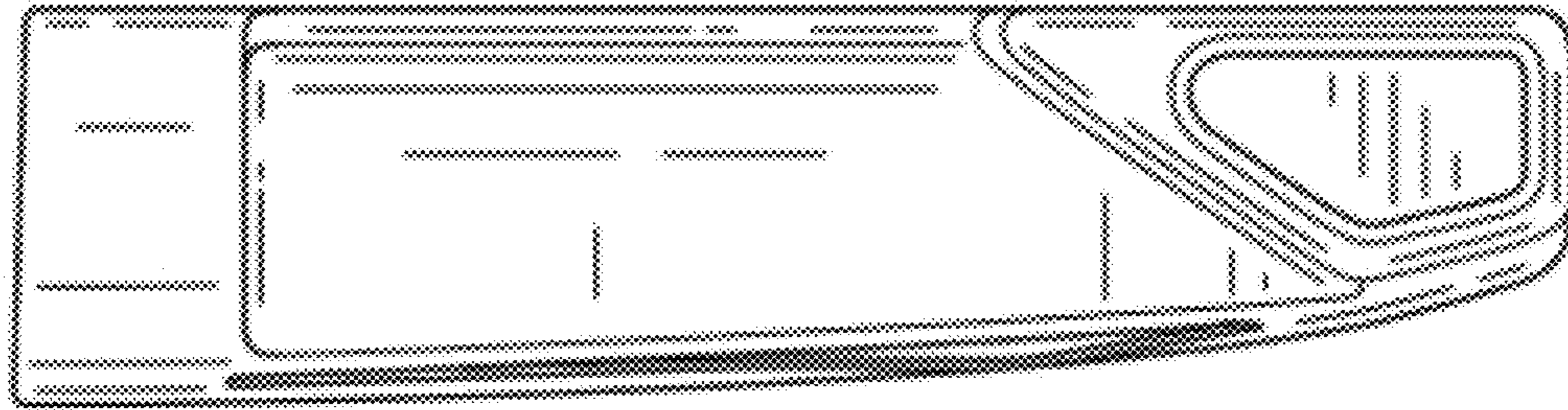


FIG. 7

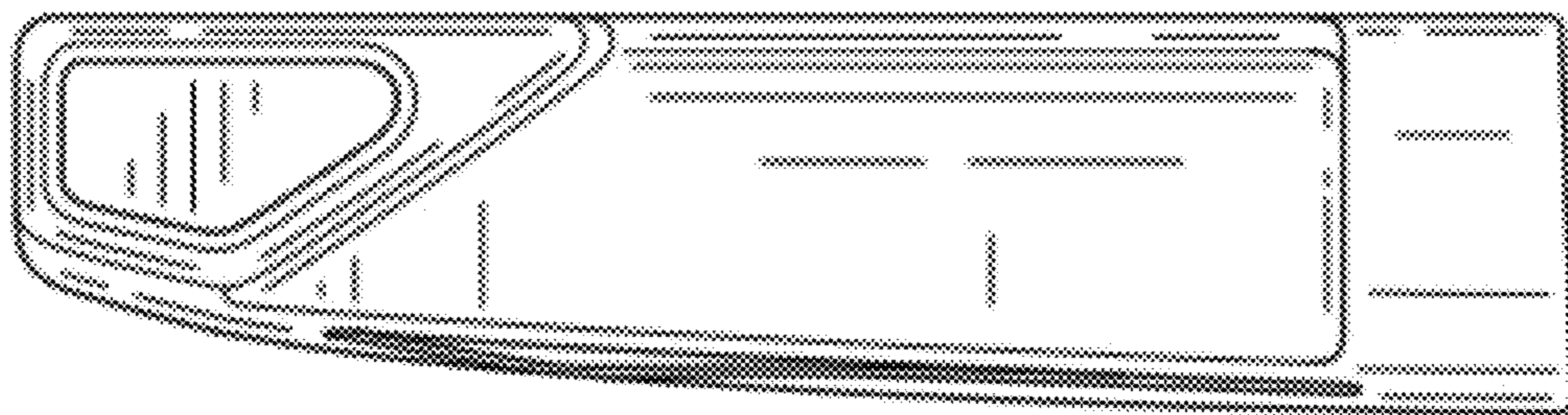


FIG. 8