



US00D658244S

(12) **United States Design Patent**
Capurro

(10) **Patent No.:** **US D658,244 S**

(45) **Date of Patent:** **** Apr. 24, 2012**

(54) **PUTTER HEAD**

(75) **Inventor:** **Woodrow V. Capurro**, Cotati, CA (US)

(73) **Assignee:** **Woodrow V. Capurro**, Cotati, CA (US)

(**) **Term:** **14 Years**

(21) **Appl. No.:** **29/372,932**

(22) **Filed:** **Feb. 7, 2011**

(51) **LOC (9) Cl.** **21-02**

(52) **U.S. Cl.** **D21/736**

(58) **Field of Classification Search** D21/735-746,
D21/759; 473/324-331, 340-341, 251-256
See application file for complete search history.

(56) **References Cited**

U.S. PATENT DOCUMENTS

5,160,144 A * 11/1992 Maniatis 473/251
D351,644 S * 10/1994 Jensen D21/744

D378,112 S * 2/1997 Salonica D21/739
D574,455 S * 8/2008 Barz D21/735
D586,412 S * 2/2009 Barz D21/735
D586,868 S * 2/2009 Barz D21/735

* cited by examiner

Primary Examiner — Mitchell Siegel

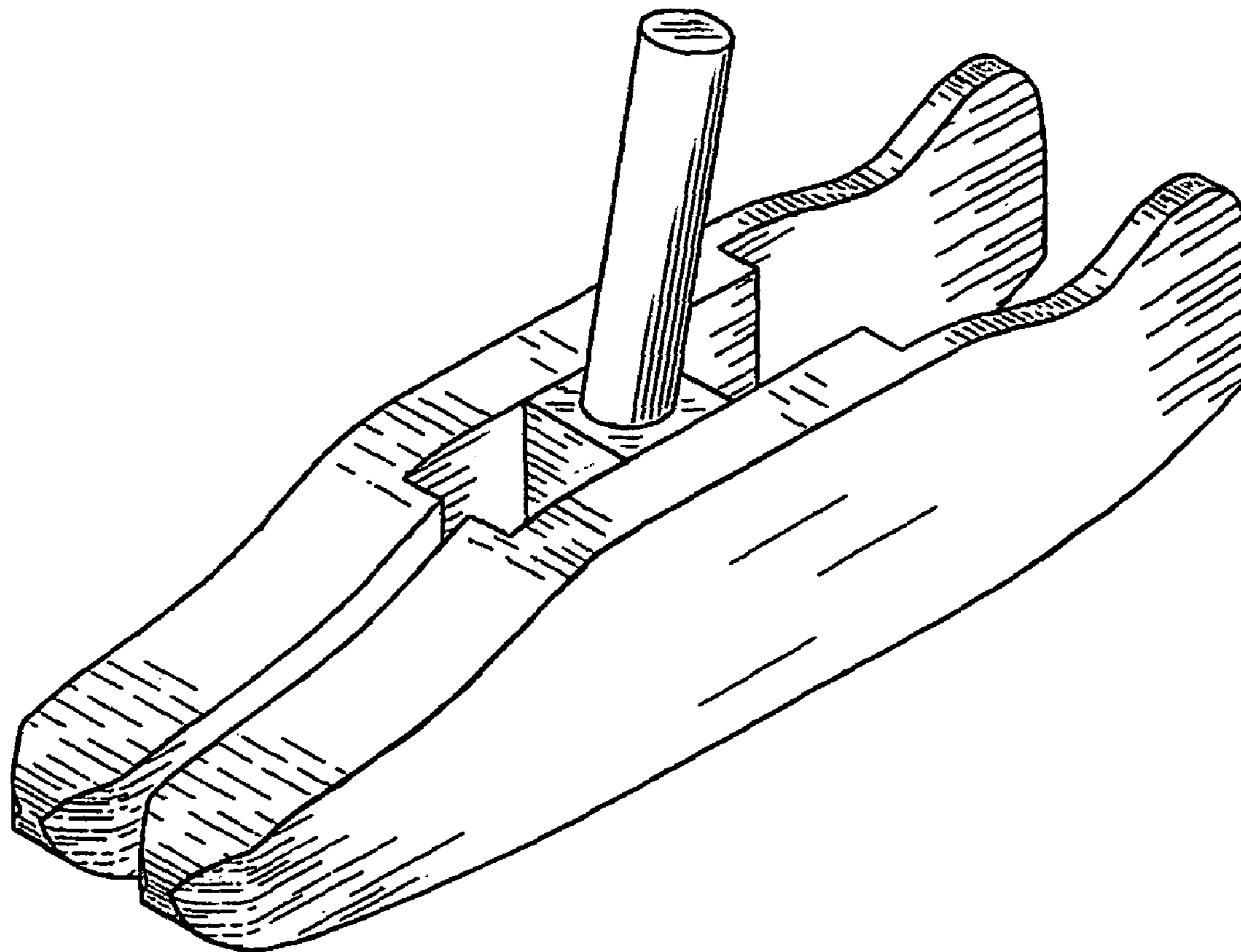
(57) **CLAIM**

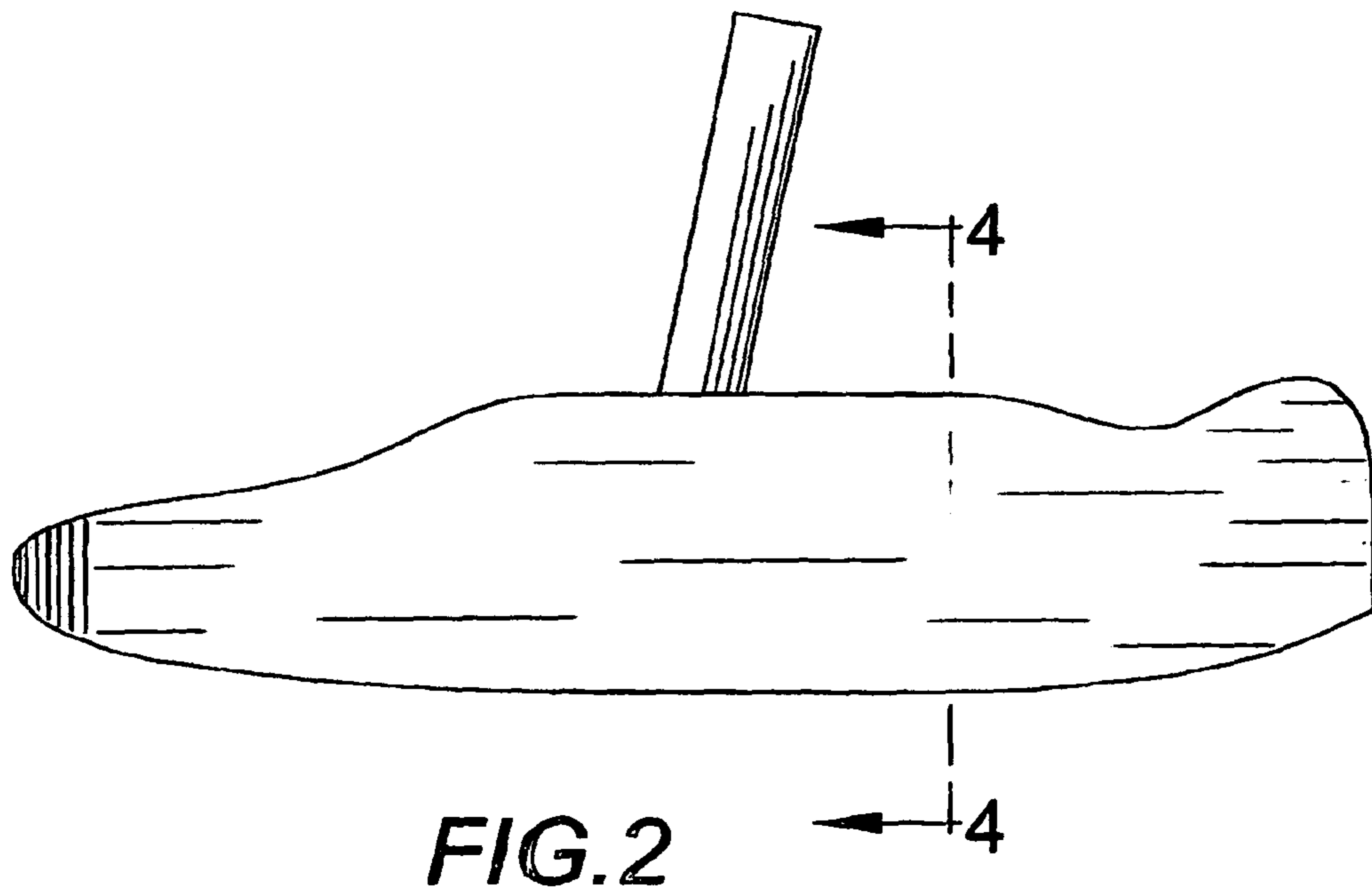
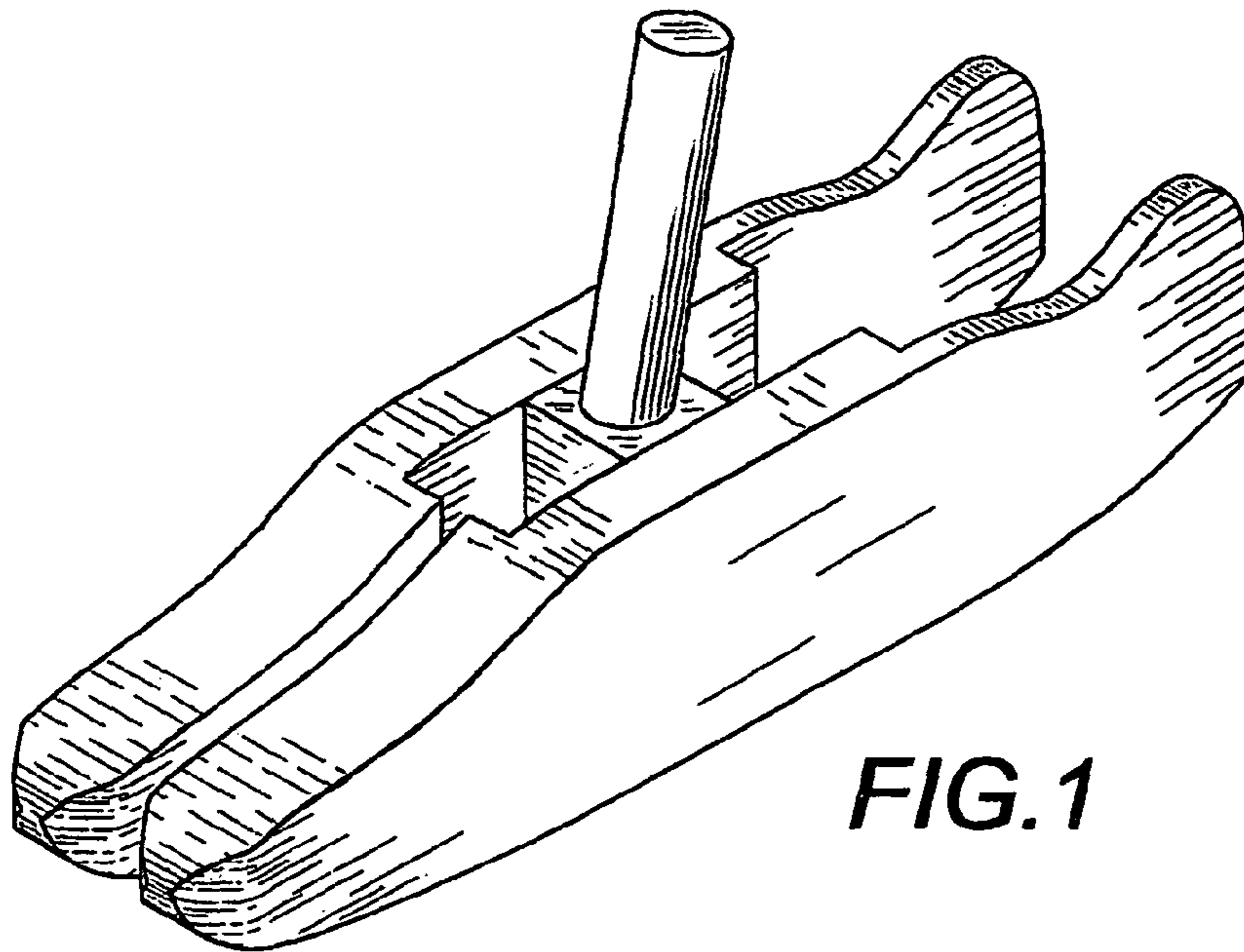
The ornamental design for a putter head, as shown and described.

DESCRIPTION

FIG. 1 is a perspective view of the putter head;
FIG. 2 is an enlarged front elevational view;
FIG. 3 is a front view;
FIG. 4 is a cross sectional view taken on line 4-4 of FIG. 2;
FIG. 5 is a rear view;
FIG. 6 is a bottom plan view; and,
FIG. 7 is a top plan view.

1 Claim, 2 Drawing Sheets





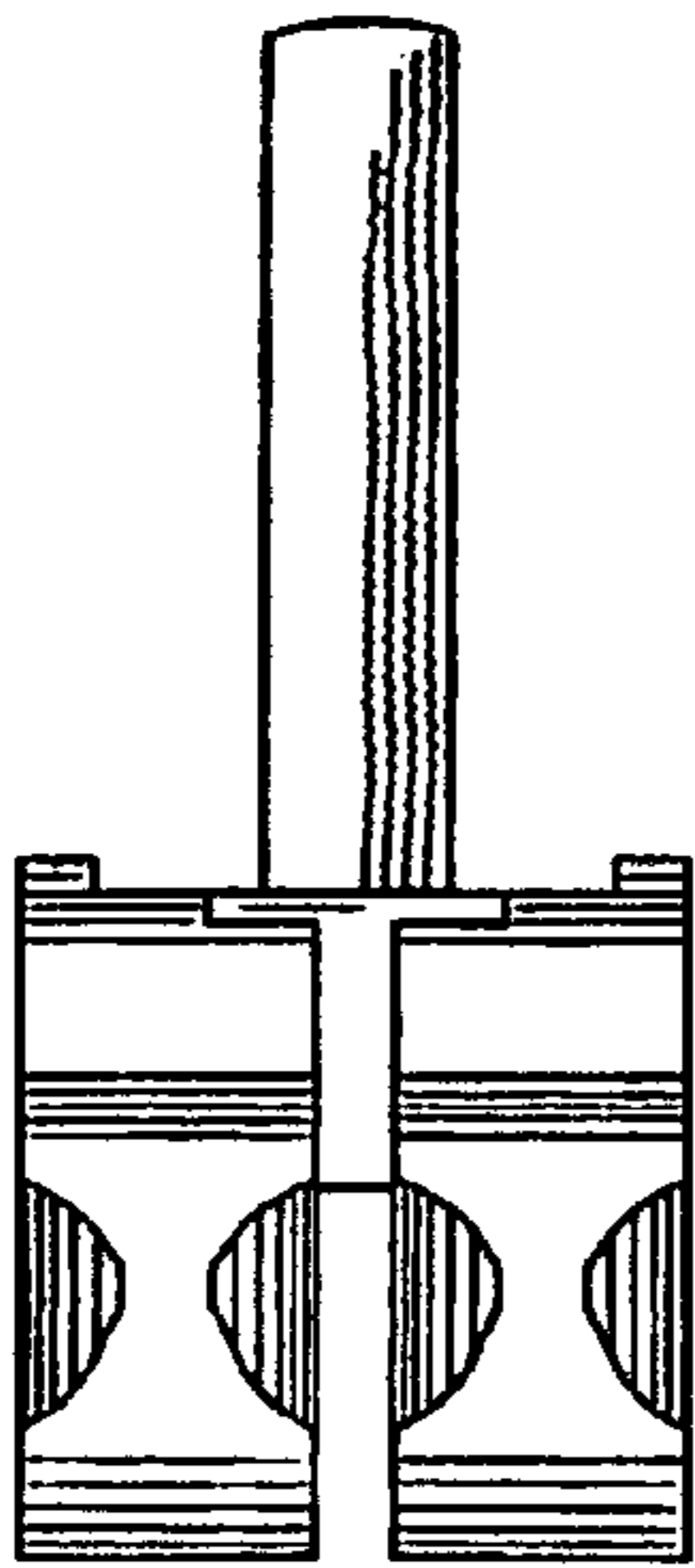


FIG. 3

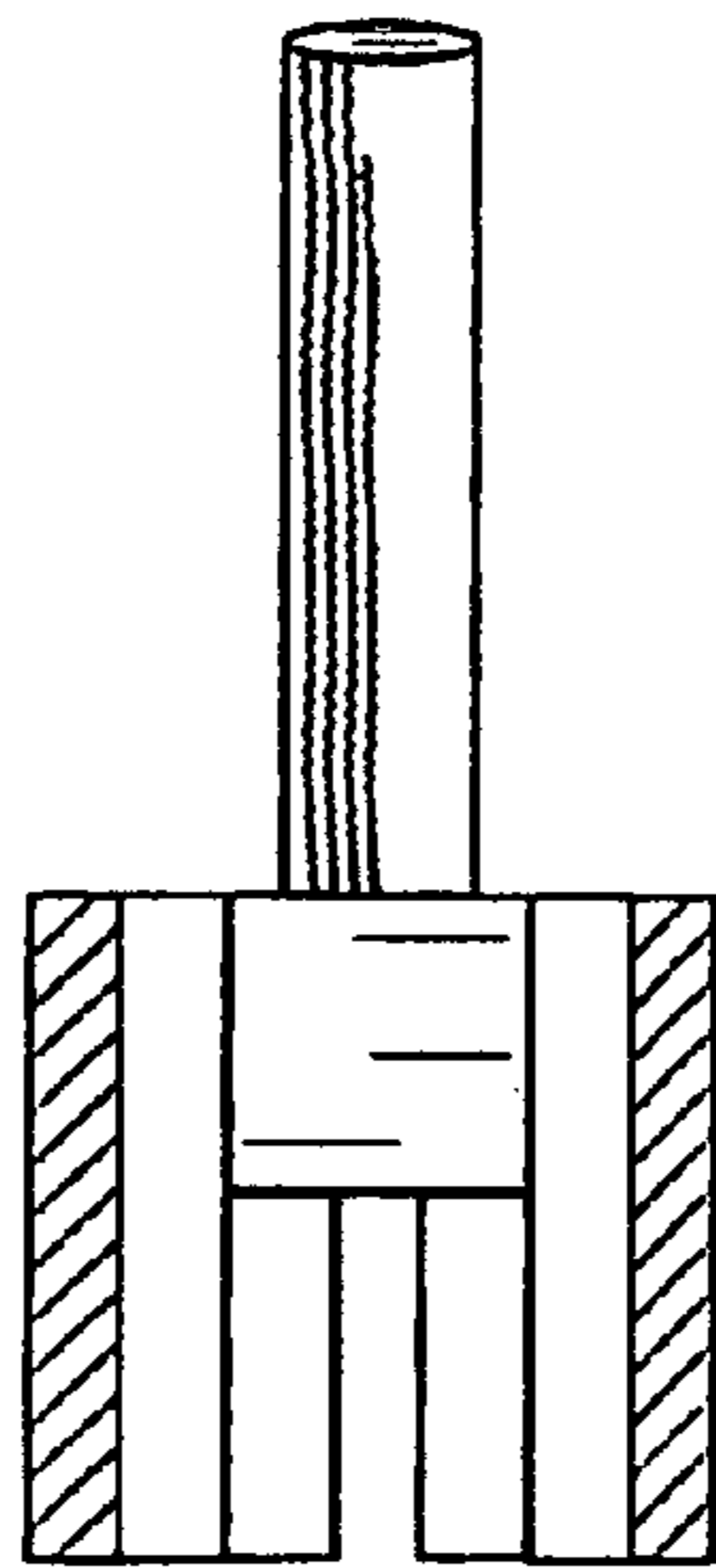


FIG. 4

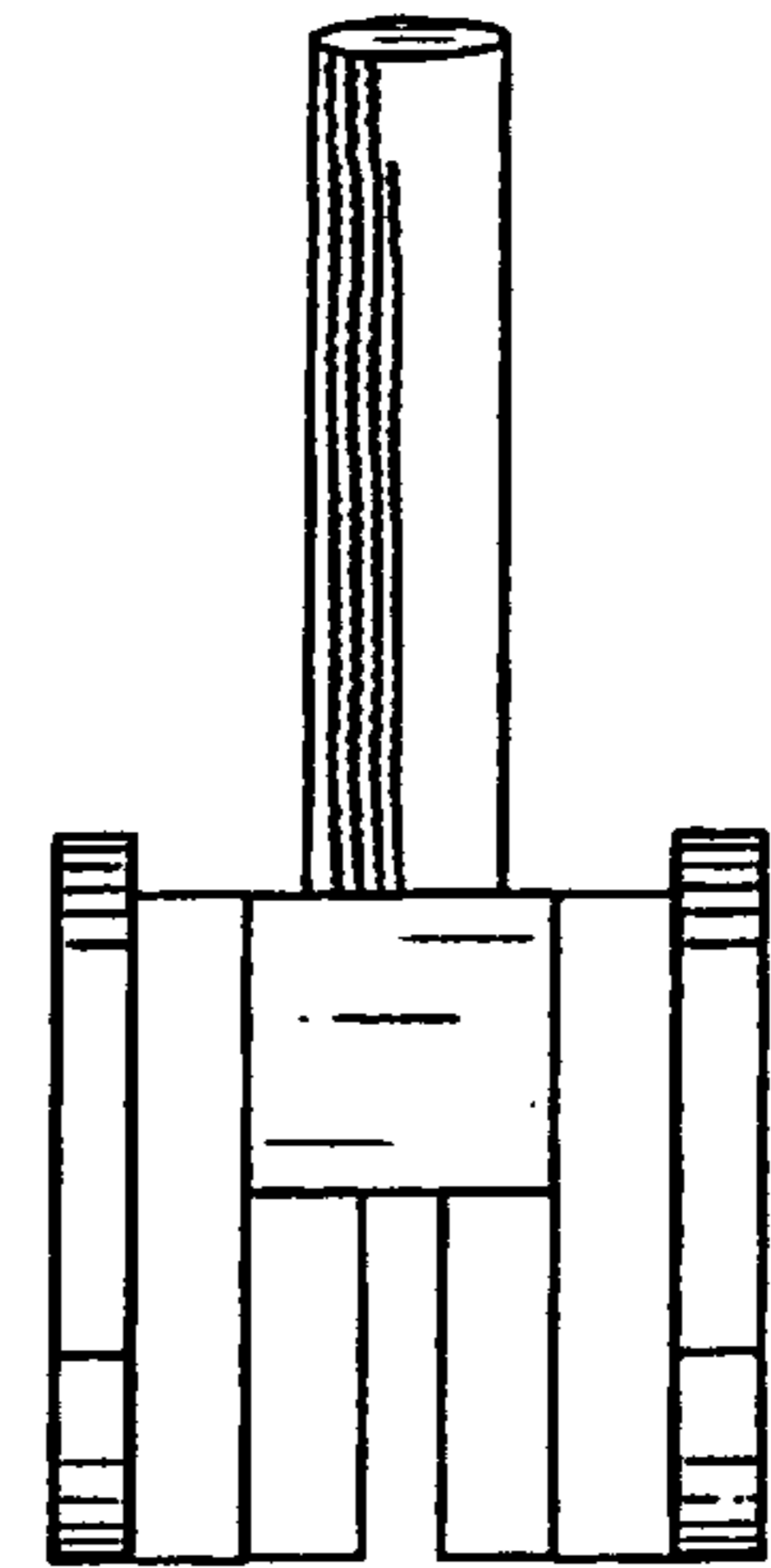


FIG. 5

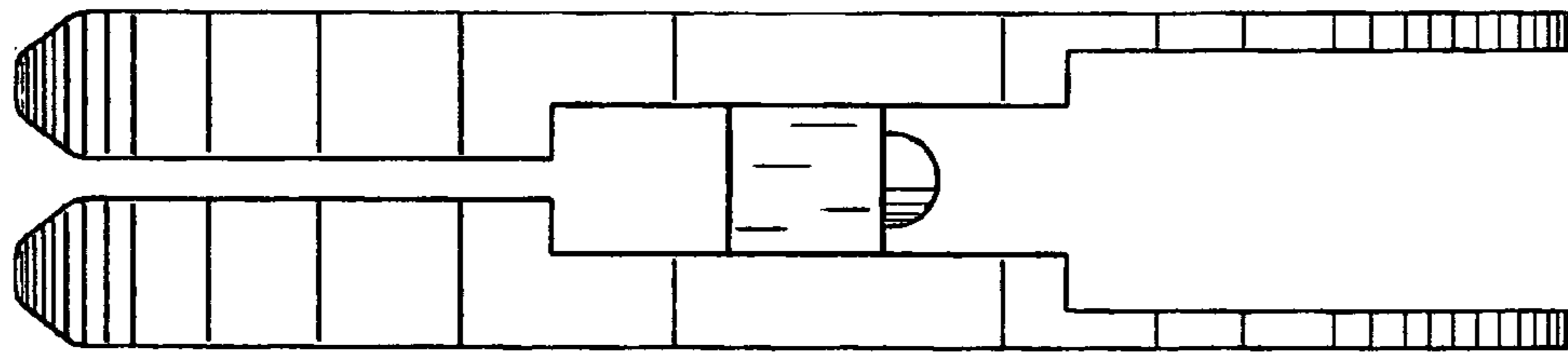


FIG. 6

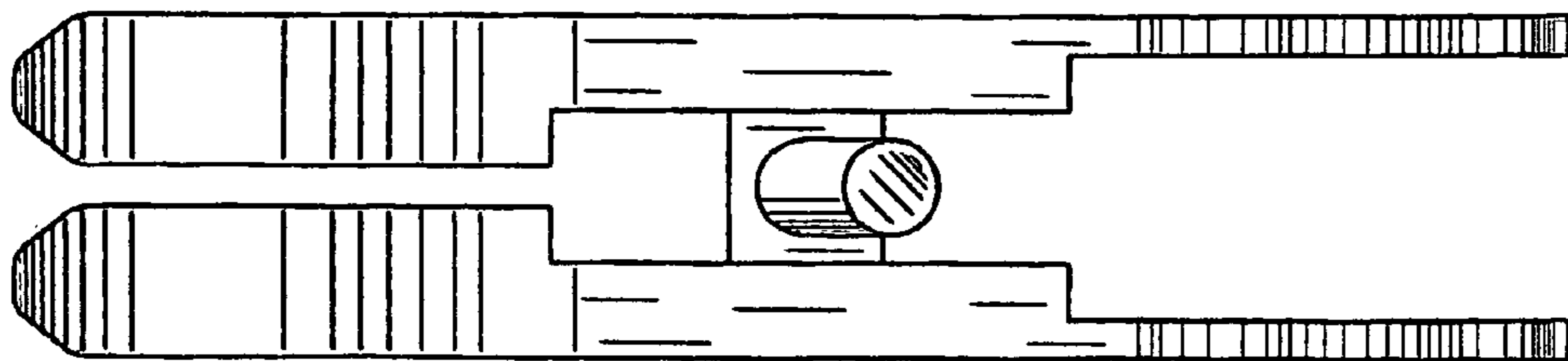


FIG. 7