



US00D658243S

(12) **United States Design Patent**
Saber et al.

(10) **Patent No.:** **US D658,243 S**

(45) **Date of Patent:** **** *Apr. 24, 2012**

(54) **BALL**

(76) Inventors: **Michael A. Saber**, Denver, CO (US);
Joseph A. Buescher, Littleton, CO (US)

(*) Notice: This patent is subject to a terminal disclaimer.

(**) Term: **14 Years**

(21) Appl. No.: **29/387,480**

(22) Filed: **Mar. 14, 2011**

Related U.S. Application Data

(63) Continuation-in-part of application No. 12/860,703, filed on Aug. 20, 2010.

(51) **LOC (9) Cl.** **21-02**

(52) **U.S. Cl.** **D21/713; D21/707**

(58) **Field of Classification Search** D21/386,
D21/387, 498, 662, 680–682, 694, 707–714,
D21/800; D30/160; 473/514, 569–615;
40/327; 119/707–711; 482/20–22, 49, 50,
482/91, 105–108

See application file for complete search history.

(56) **References Cited**

U.S. PATENT DOCUMENTS

D197,655 S *	3/1964	Kuhn	D21/498
D232,236 S *	7/1974	La Borde	D23/209
D244,628 S *	6/1977	Wright	D21/682
5,033,743 A *	7/1991	Wright	473/613

5,399,136 A *	3/1995	Bart	482/110
D363,752 S *	10/1995	Shumber et al.	D21/678
D367,504 S *	2/1996	Barzani	D21/498
D400,620 S *	11/1998	Barton, Jr.	D21/713
D408,482 S *	4/1999	Morrison	D21/708
D411,269 S *	6/1999	Albarelli, Jr.	D21/712
6,003,470 A *	12/1999	Budman	119/711
D418,880 S *	1/2000	Albarelli, Jr.	D21/443
D498,799 S *	11/2004	Kerry	D21/662
6,896,578 B2 *	5/2005	Shaw	446/490
D511,029 S *	10/2005	Willinger	D30/160
D545,509 S *	6/2007	Wang	D30/160
7,326,122 B2 *	2/2008	Park	473/256
D623,247 S *	9/2010	Zawitz	D21/707
D624,251 S *	9/2010	Rutherford	D30/160
2007/0207871 A1 *	9/2007	Traub	473/125

* cited by examiner

Primary Examiner — Catherine Tuttle

(74) *Attorney, Agent, or Firm* — Mind Law Firm; Justin G. Sanders; Jeromye V. Sartain

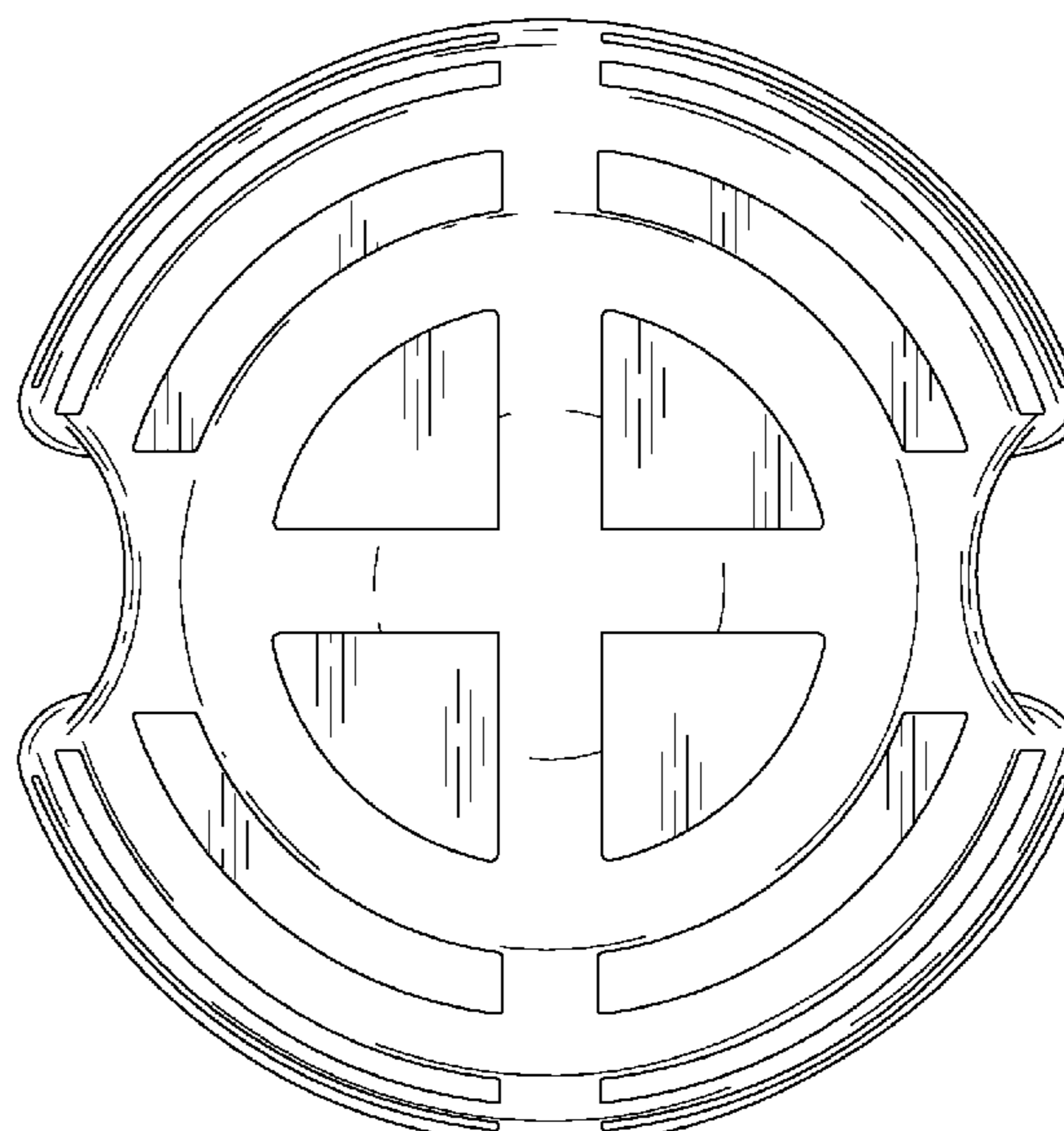
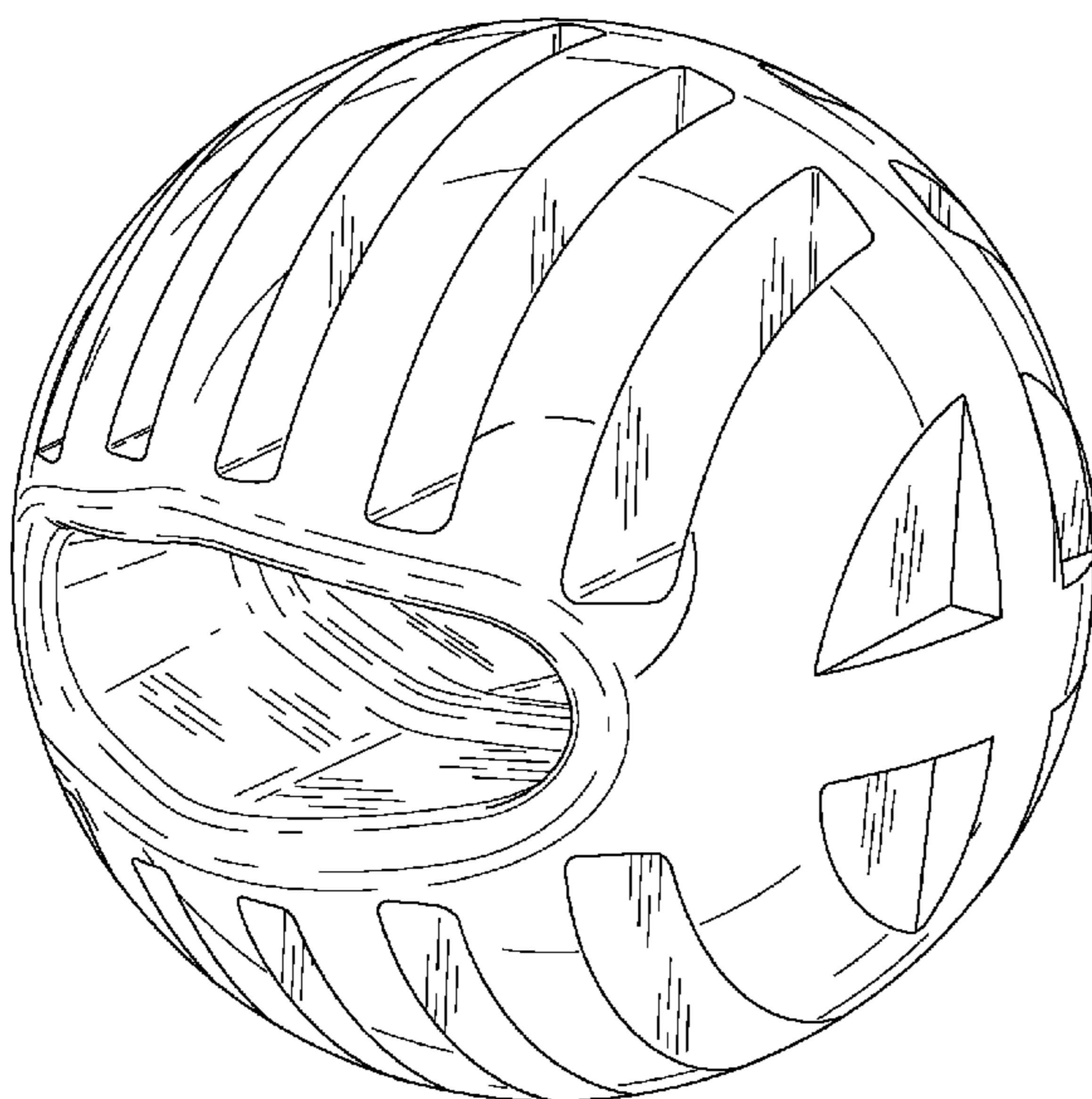
(57) **CLAIM**

The ornamental design for a ball, as shown and described.

DESCRIPTION

FIG. 1 is a perspective view of a ball showing our new design; FIG. 2 is a front view thereof; FIG. 3 is a back view thereof; FIG. 4 is a left side view thereof; FIG. 5 is a right side view thereof; FIG. 6 is a top view thereof; and, FIG. 7 is a bottom view thereof.

1 Claim, 4 Drawing Sheets



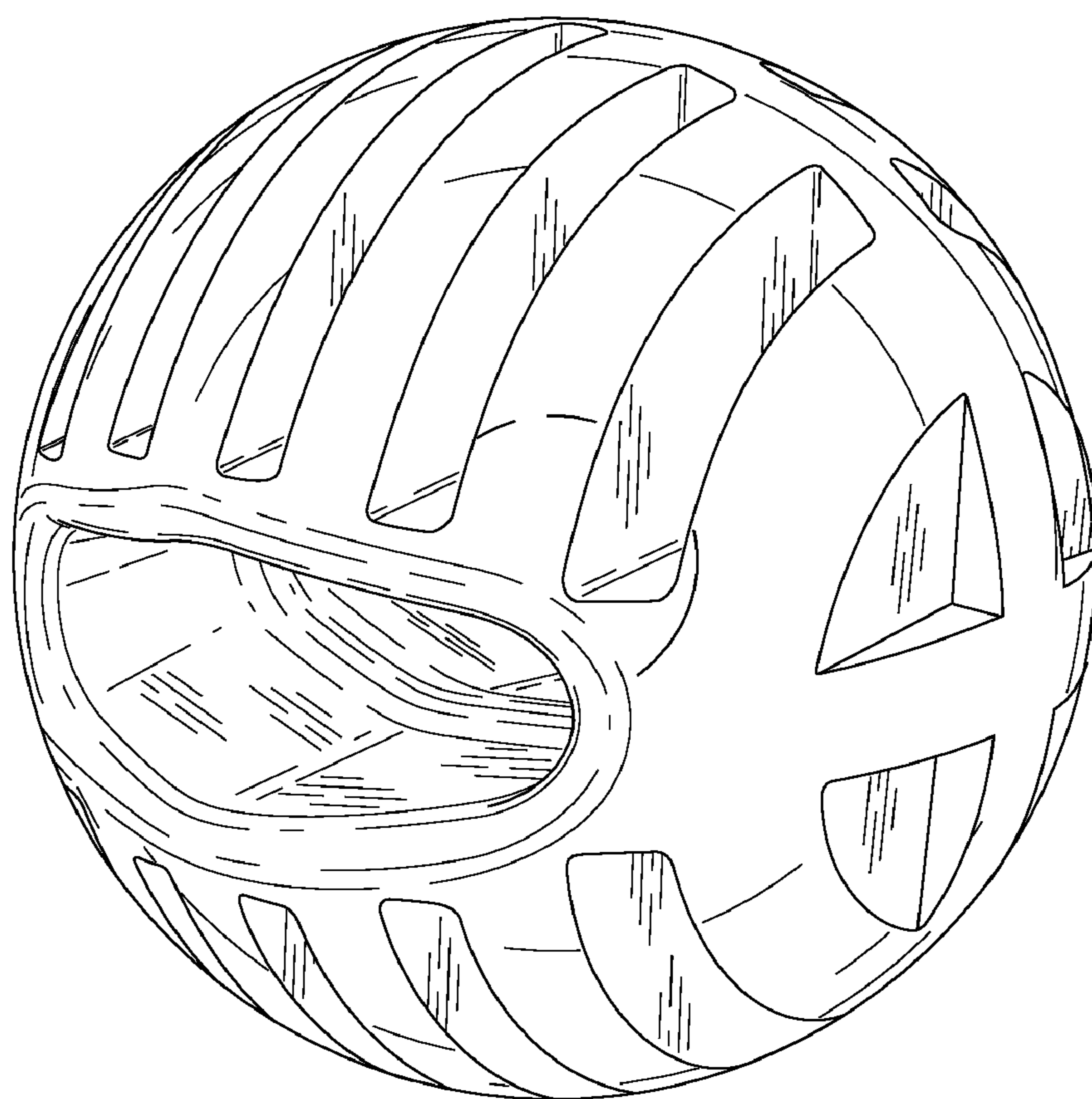


Fig. 1

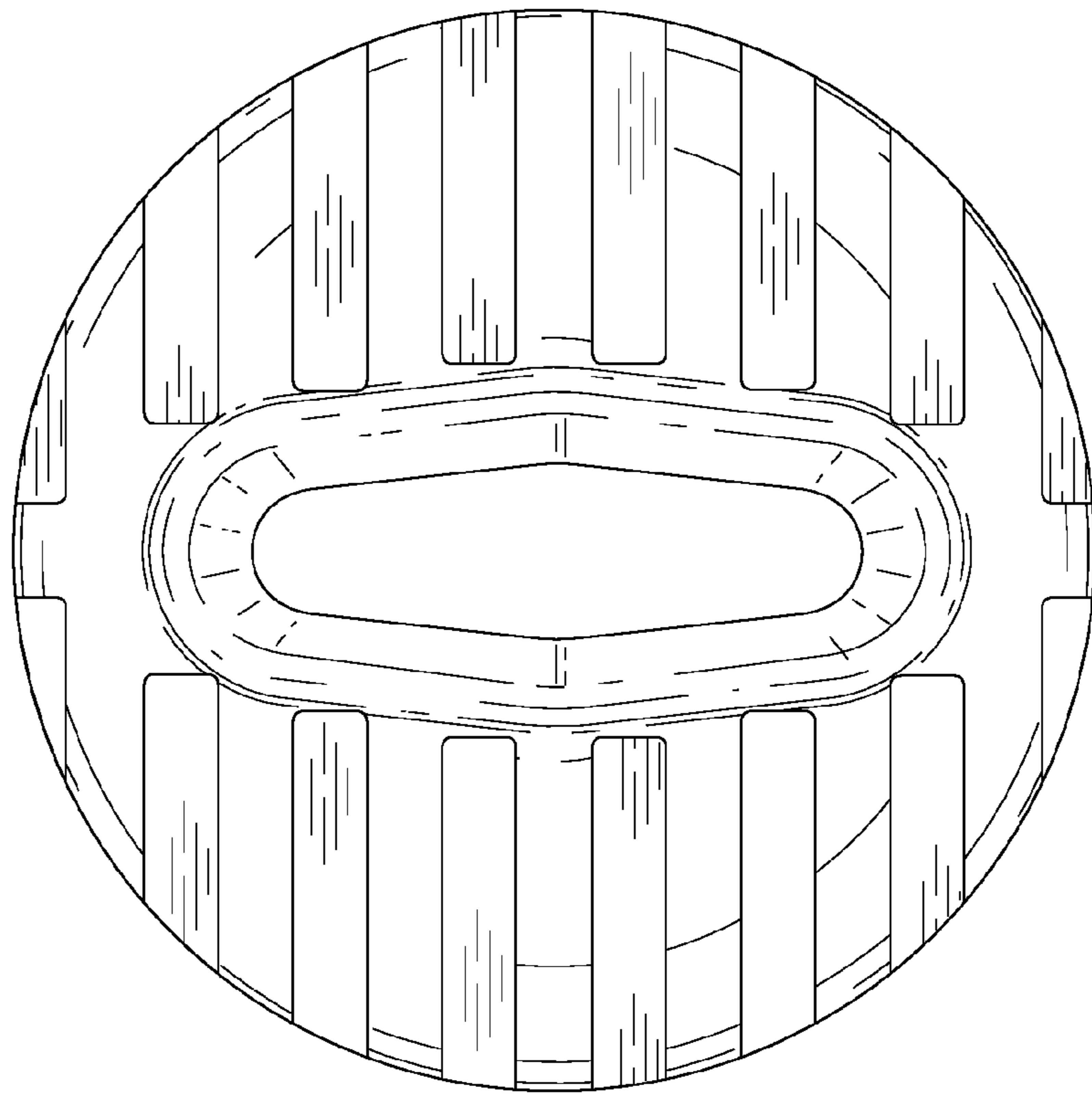


Fig. 2

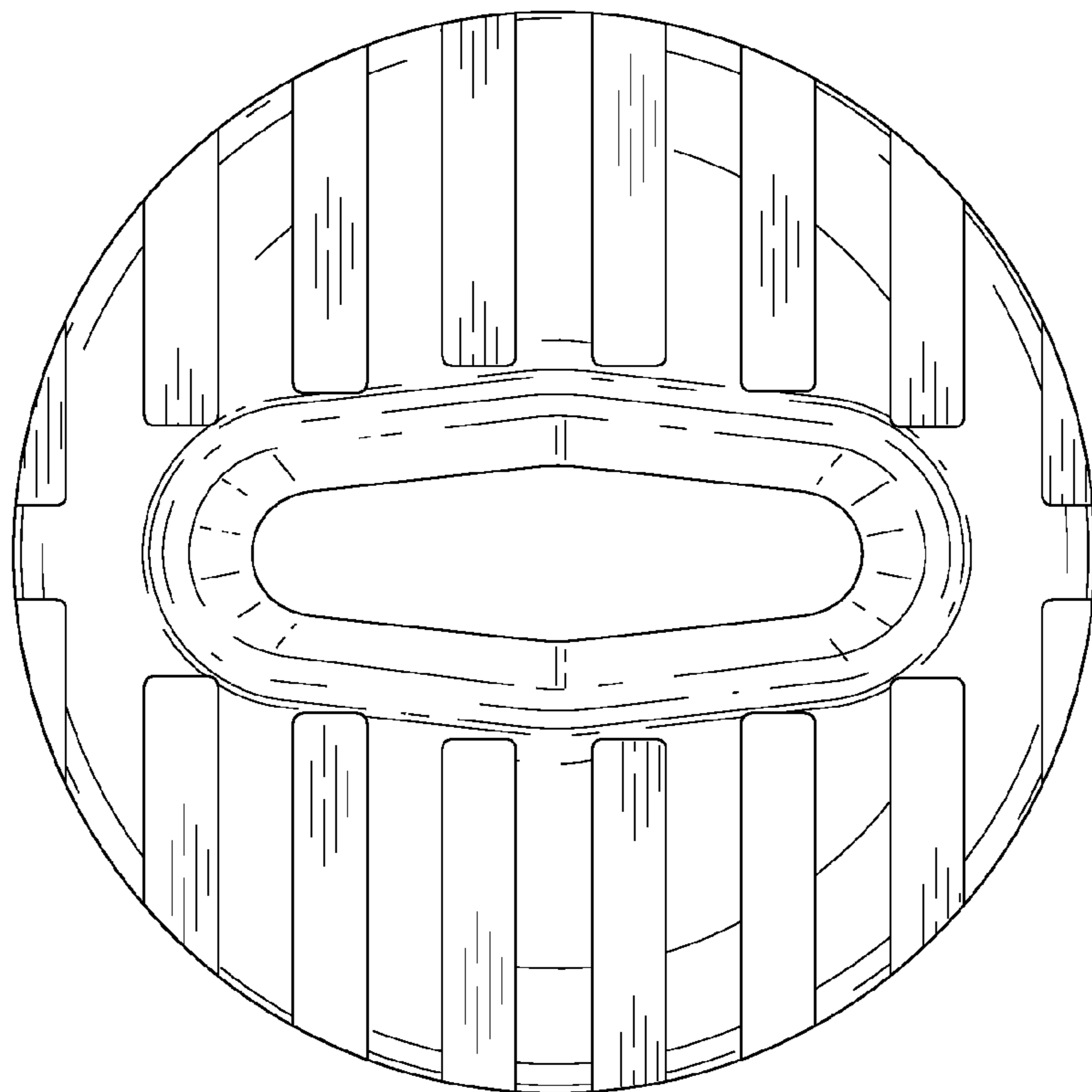


Fig. 3

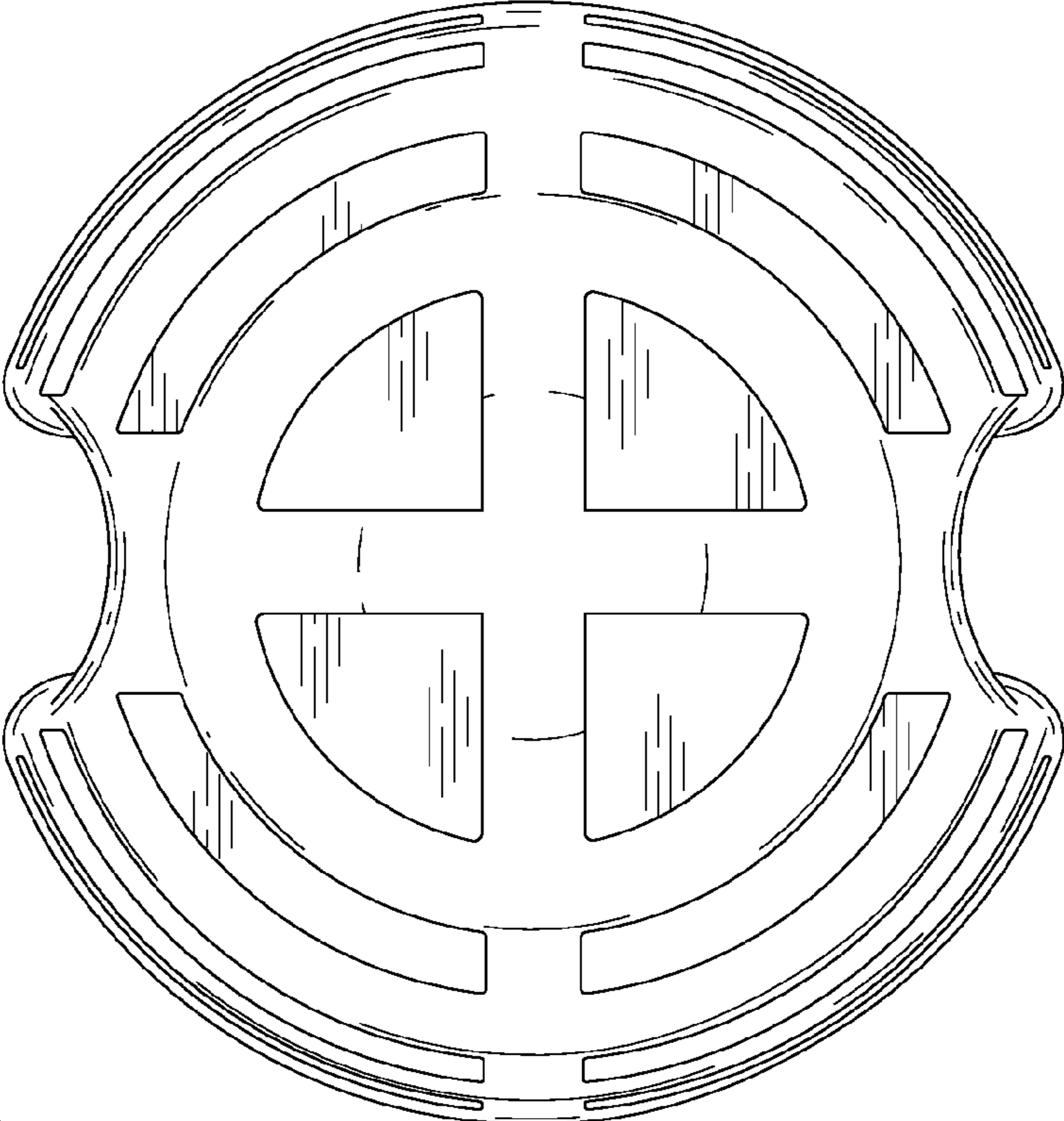


Fig. 4

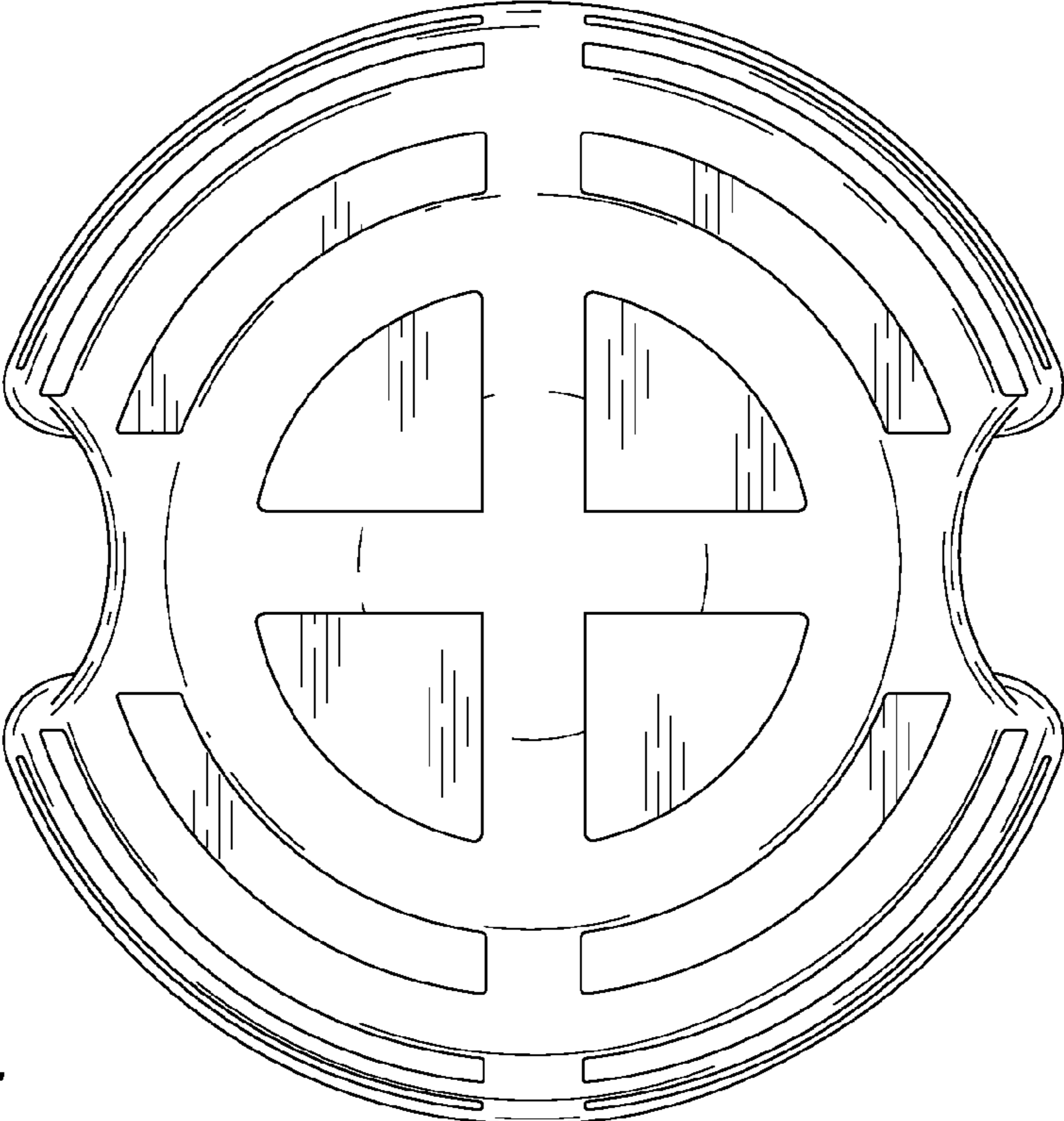


Fig. 5

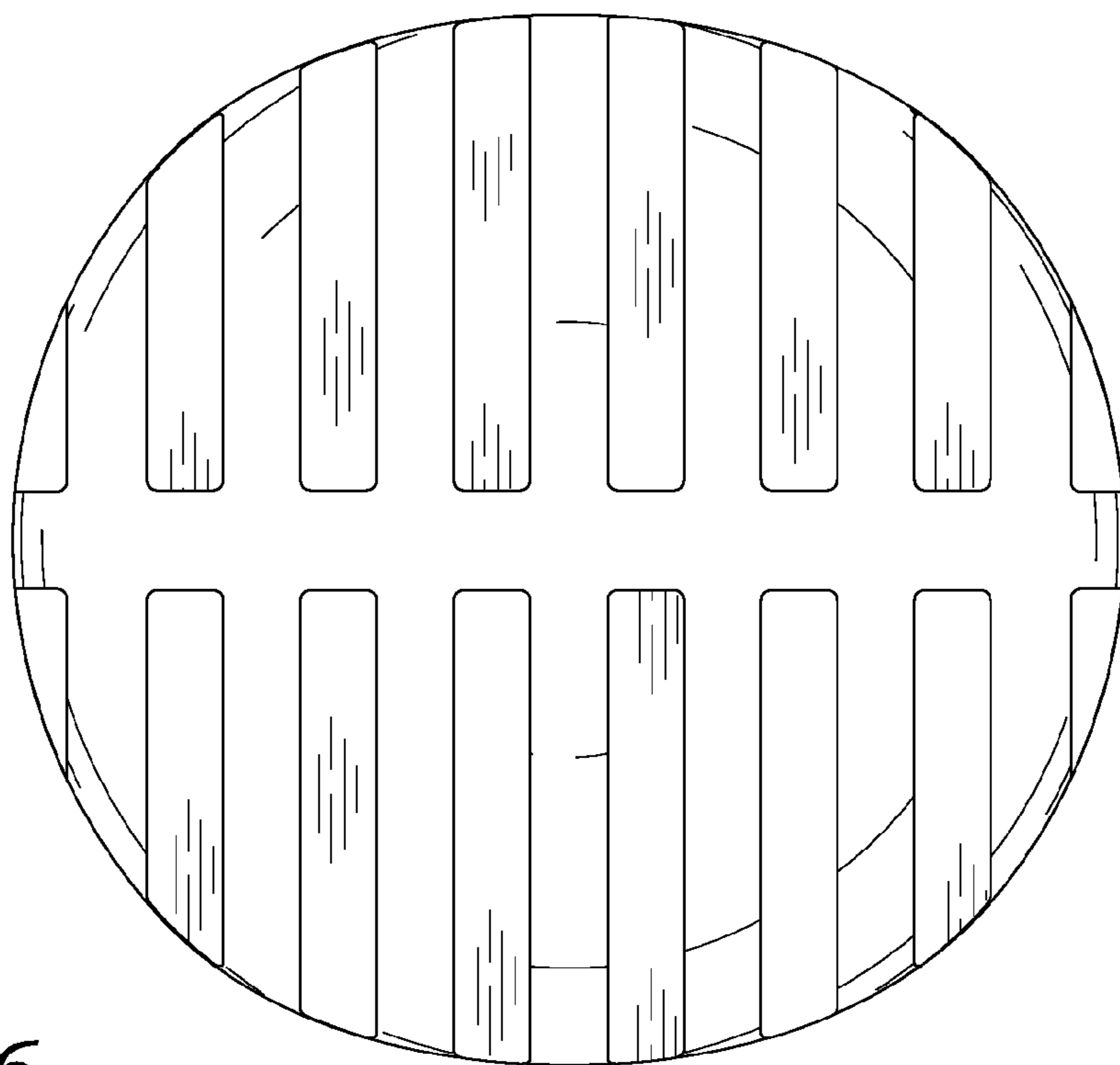


Fig. 6

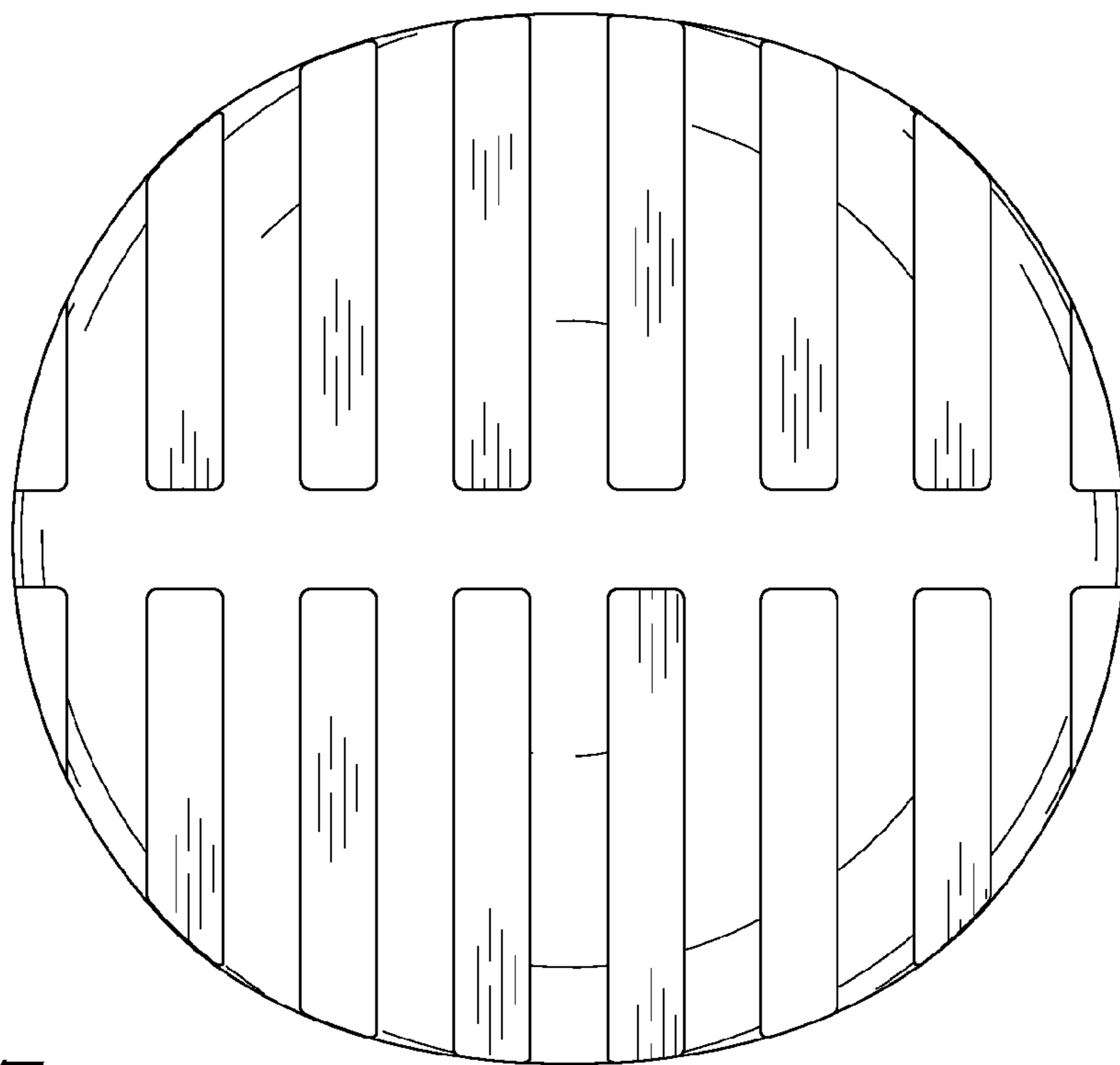


Fig. 7