

US00D658242S

(12) **United States Design Patent**  
**McDonald**

(10) **Patent No.:** **US D658,242 S**

(45) **Date of Patent:** **\*\* Apr. 24, 2012**

(54) **SPORTS MANNEQUIN**

(76) Inventor: **Dar'Rell McDonald**, Dallas County, TX  
(US)

(\*\*) Term: **14 Years**

(21) Appl. No.: **29/374,612**

(22) Filed: **Sep. 12, 2011**

(51) **LOC (9) Cl.** ..... **21-02**

(52) **U.S. Cl.** ..... **D21/698**

(58) **Field of Classification Search** ..... D21/621,  
D21/622, 627, 635, 698, 699, 706, 780, 781,  
D21/788, 493; D20/10, 19, 25, 29-33, 99;  
D19/59, 62; D10/109, 114; D11/160; D6/450,  
D6/453, 539; 473/415-504; 434/247, 248,  
434/251; 273/317-412; 40/538, 539, 606.15,  
40/606.18, 612

See application file for complete search history.

(56) **References Cited**

**U.S. PATENT DOCUMENTS**

1,266,494	A *	5/1918	Lakin	.....	273/383
3,552,749	A *	1/1971	Piggotte	.....	473/448
3,675,921	A *	7/1972	Meyers, Sr.	.....	473/448
4,579,537	A *	4/1986	Leahy	.....	446/100

5,333,865	A *	8/1994	Holmes	.....	273/317.5
D414,815	S *	10/1999	McDonald	.....	D20/31
D516,629	S *	3/2006	McDonald	.....	D20/31
D539,373	S *	3/2007	Cook	.....	D21/781
D550,313	S *	9/2007	Elder	.....	D21/698
7,380,360	B2 *	6/2008	Evans et al.	.....	40/538
D579,504	S *	10/2008	Elder	.....	D21/698
D607,075	S *	12/2009	McDonald	.....	D21/780
D643,078	S *	8/2011	McDonald	.....	D21/698
2004/0160011	A1 *	8/2004	Fitzgerald	.....	273/317.3

\* cited by examiner

*Primary Examiner* — Catherine Tuttle

(74) *Attorney, Agent, or Firm* — Jack A. Kanz

(57) **CLAIM**

The ornamental design for the sports mannequin, as shown.

**DESCRIPTION**

FIG. 1 is a front perspective view of a sports mannequin showing my new design;

FIG. 2 is a front elevational view thereof;

FIG. 3 is a rear elevational view thereof;

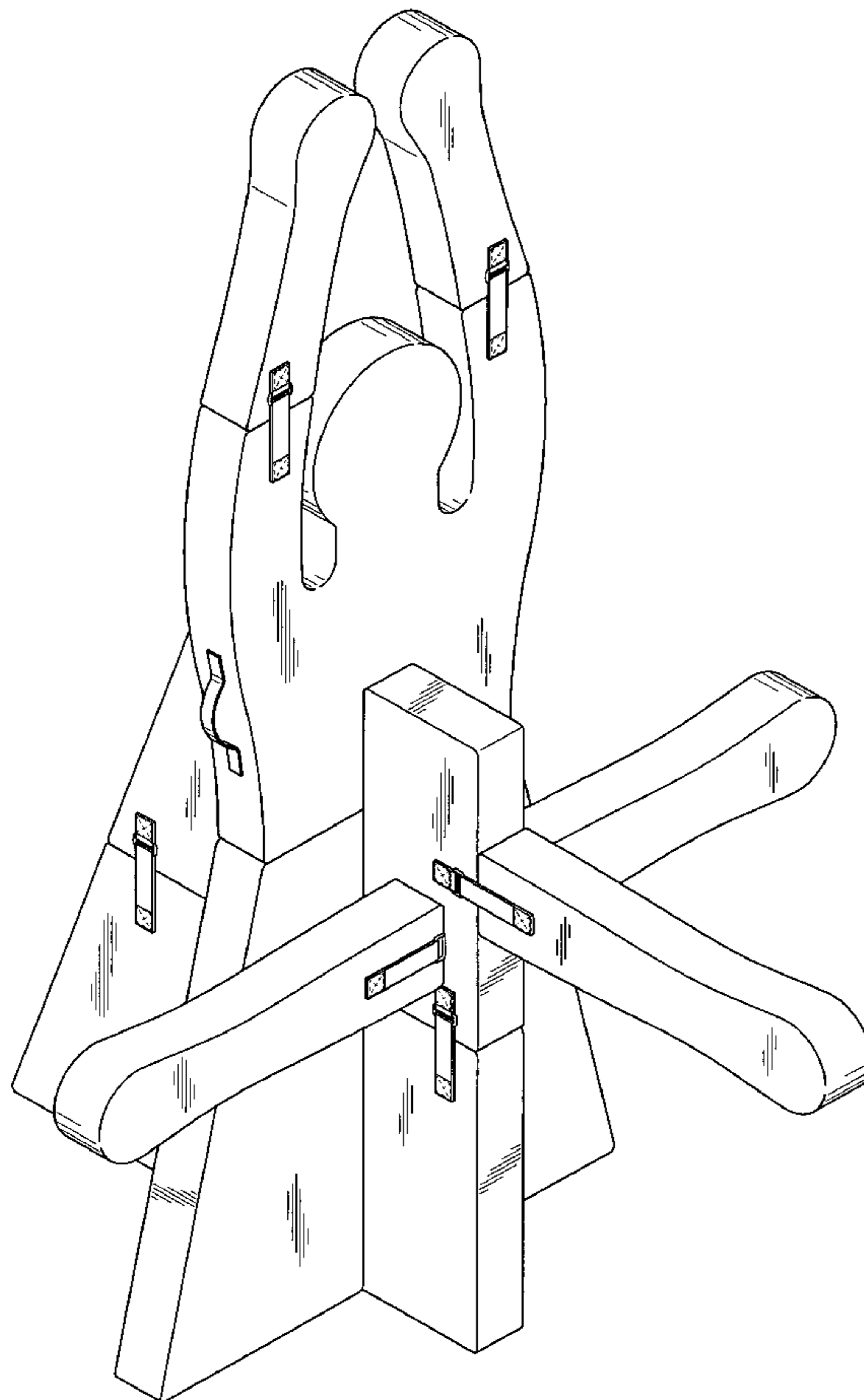
FIG. 4 is a top plan view thereof;

FIG. 5 is a bottom plan view thereof;

FIG. 6 is an elevational view of the right-hand side thereof; and,

FIG. 7 is an elevational view of the left-hand side thereof.

**1 Claim, 7 Drawing Sheets**



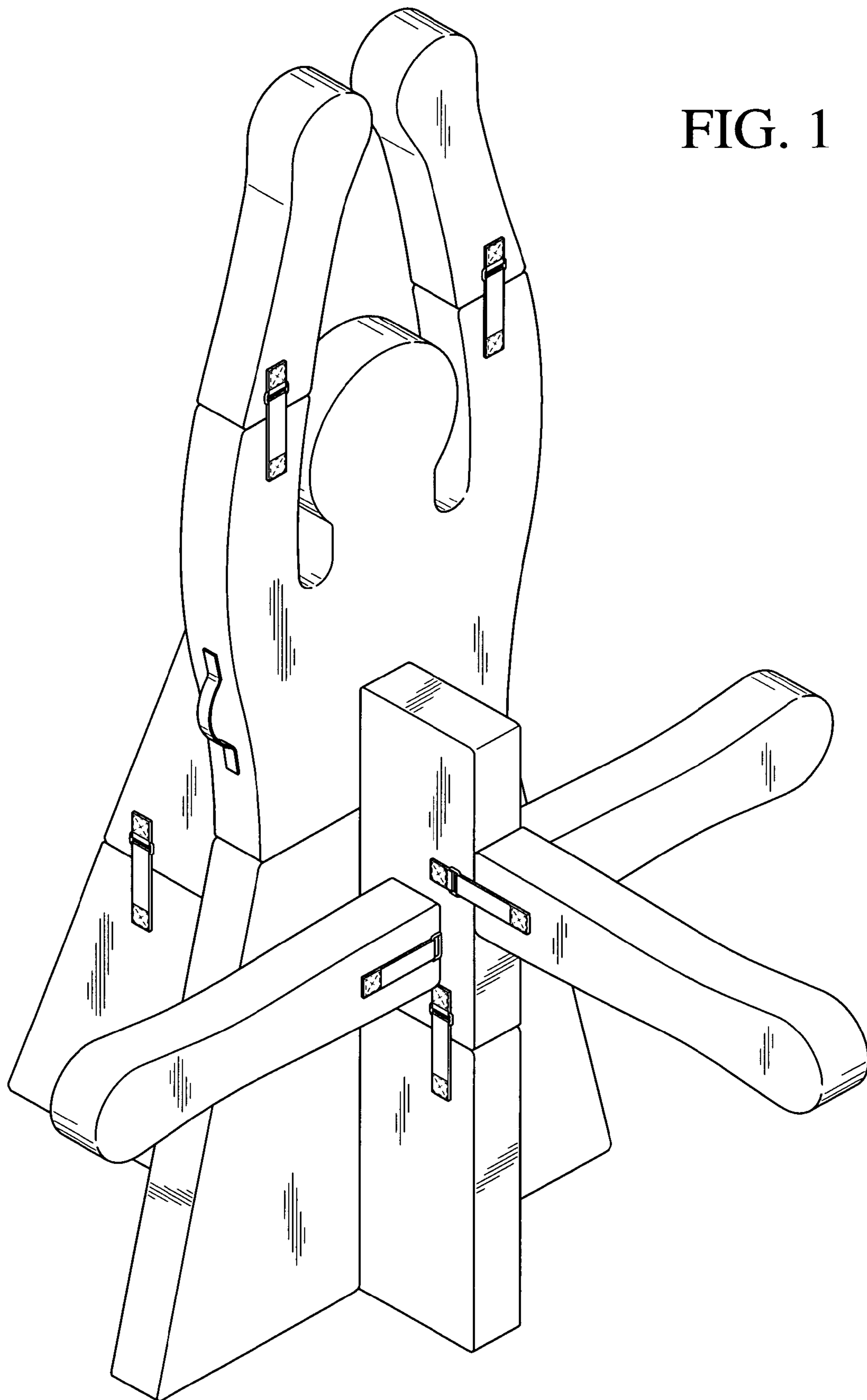


FIG. 1

FIG. 2

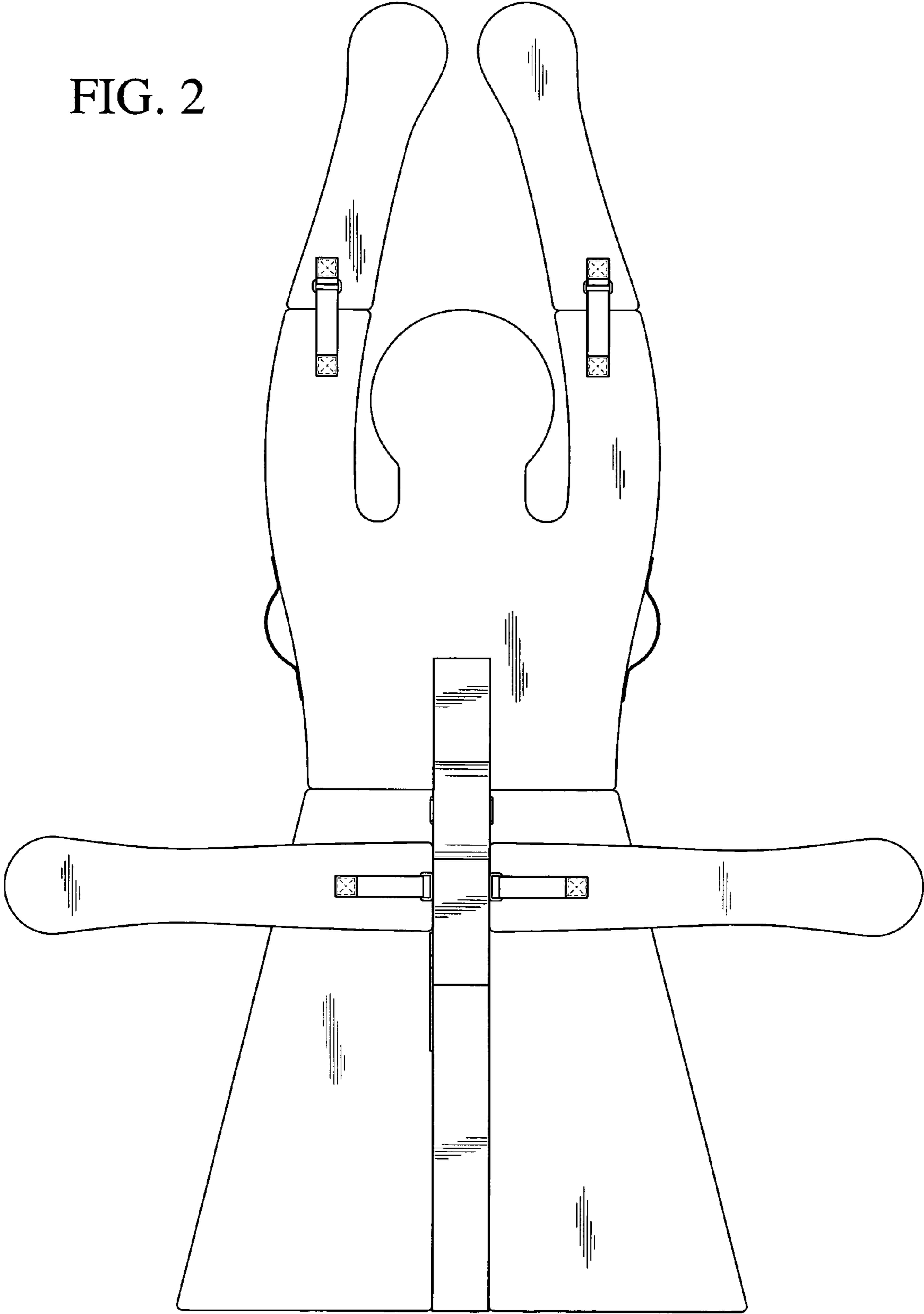
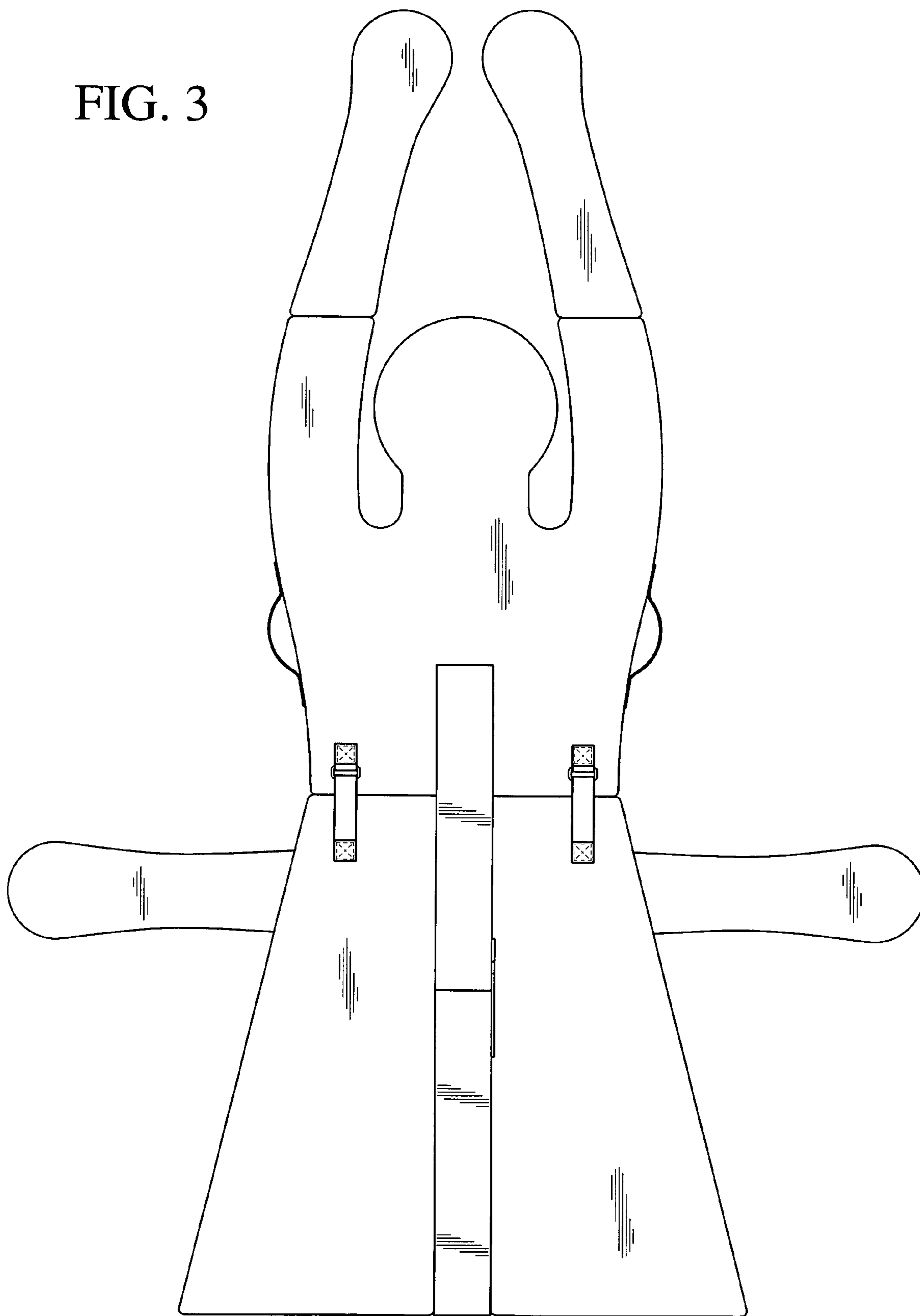


FIG. 3



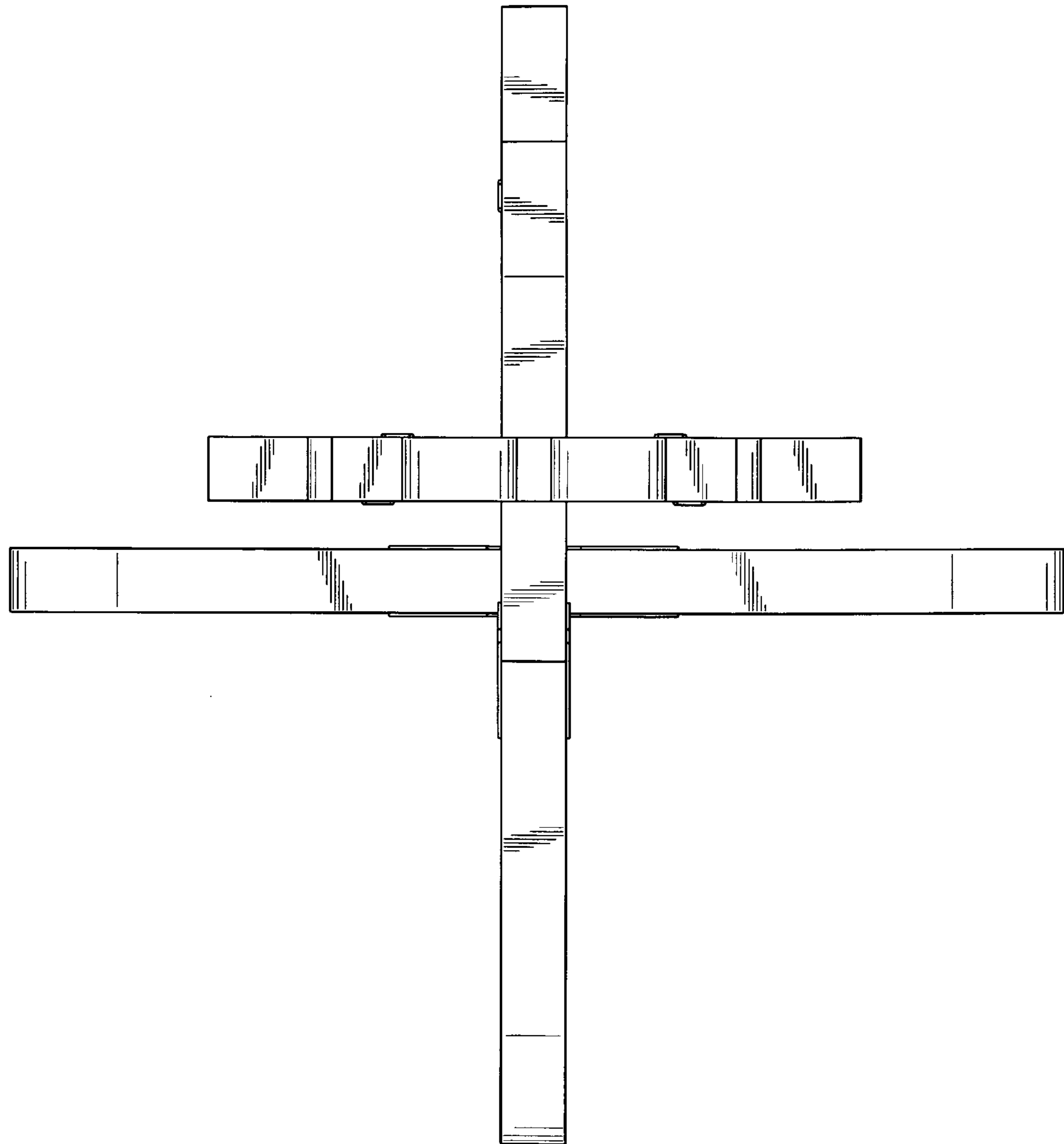


FIG. 4

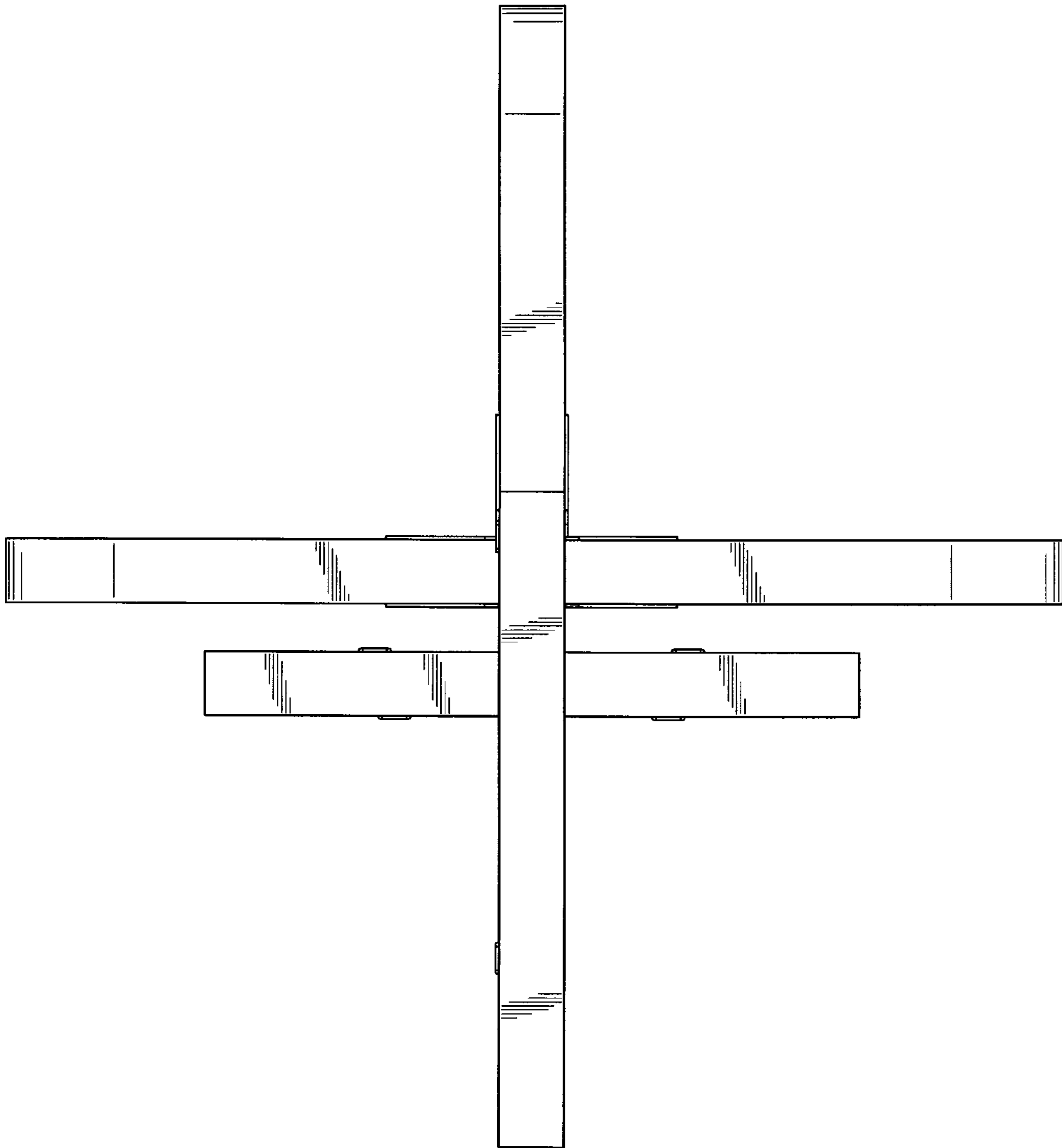


FIG. 5

FIG. 6

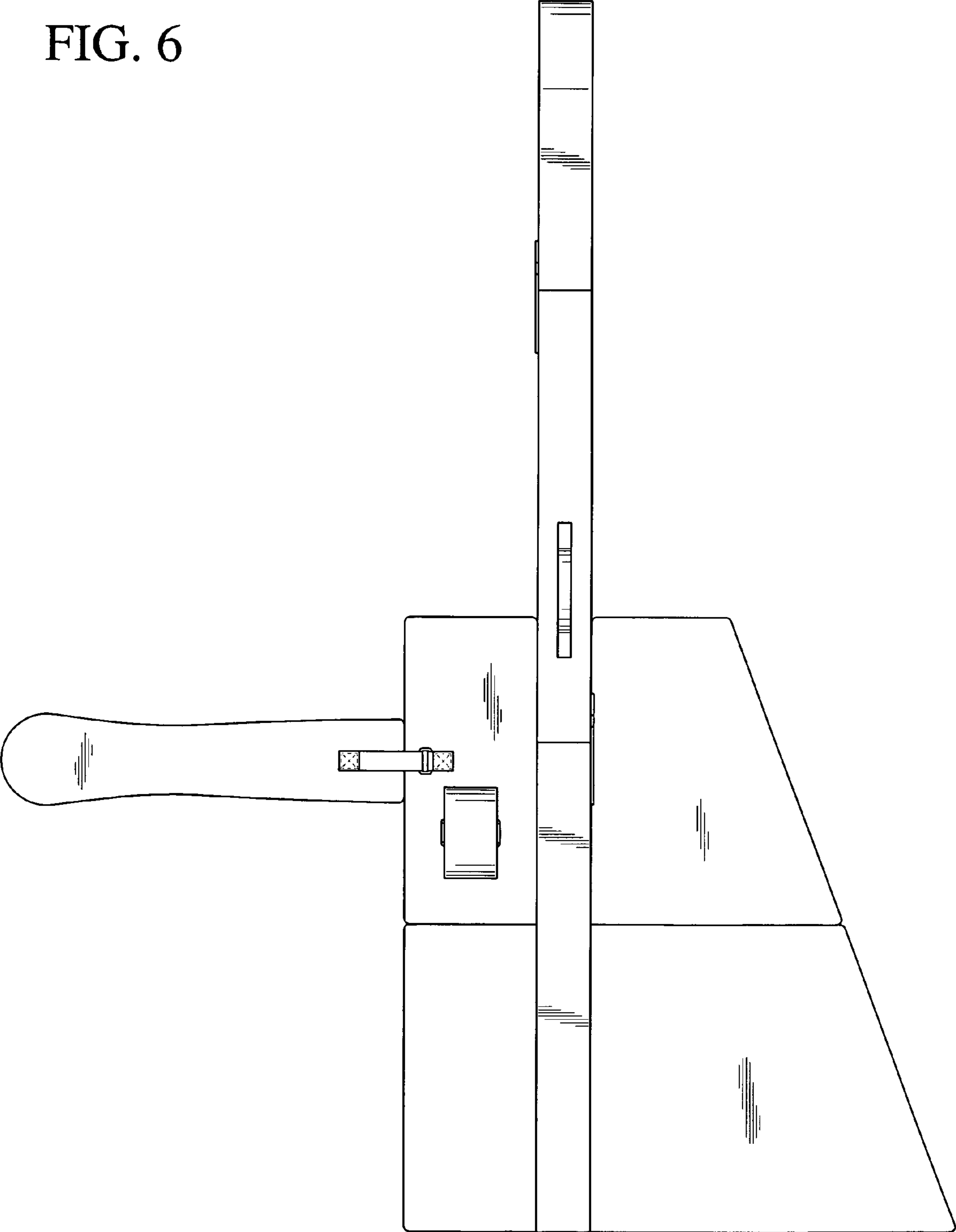


FIG. 7

