



US00D658238S

(12) **United States Design Patent**
Kitazawa et al.

(10) **Patent No.:** **US D658,238 S**

(45) **Date of Patent:** **** Apr. 24, 2012**

(54) **RADIO REMOTE CONTROL UNIT**

(75) Inventors: **Hideo Kitazawa**, Chiba (JP); **Noriaki Morita**, Chiba (JP); **Yoshihiro Noguchi**, Chiba (JP)

(73) Assignee: **Futaba Corporation**, Mobara-shi, Chiba-ken (JP)

(**) Term: **14 Years**

(21) Appl. No.: **29/376,341**

(22) Filed: **Oct. 5, 2010**

(51) **LOC (9) Cl.** **21-01**

(52) **U.S. Cl.** **D21/566**

(58) **Field of Classification Search** D21/324, D21/329, 333, 434, 552, 559, 560, 566; D14/400, D14/401, 454, 217, 218, 358, 155; D13/158, D13/169; D12/98; 463/6, 7, 37, 38, 39, 463/46, 47; 345/156; 446/454-456; 300/315, 300/329, 332, 335, 339, 457, 533

See application file for complete search history.

(56) **References Cited**

U.S. PATENT DOCUMENTS

D390,613 S * 2/1998 Kanetsuna et al. D21/566
D411,265 S * 6/1999 Kanetsuna et al. D21/566
D464,684 S * 10/2002 Arai et al. D21/566
D481,080 S * 10/2003 Arai et al. D21/566

D503,439 S * 3/2005 Galletti D21/566
6,893,320 B2 * 5/2005 Caiozza 446/456
D513,045 S * 12/2005 Yuen D21/566
D516,137 S * 2/2006 Yuen D21/566
D524,382 S * 7/2006 Morita et al. D21/566
D525,320 S * 7/2006 Noguchi D21/566
7,374,489 B2 * 5/2008 Sexton 463/36
D594,514 S * 6/2009 Noguchi et al. D21/566

* cited by examiner

Primary Examiner — Cynthia M Chin

(74) *Attorney, Agent, or Firm* — Quarles & Brady LLP

(57) **CLAIM**

We claim the ornamental design for a radio remote control unit, as shown and described.

DESCRIPTION

FIG. 1 is a perspective view of a radio remote control unit showing our new design;

FIG. 2 is a front elevational view thereof;

FIGS. 3 is a rear elevational view thereof;

FIG. 4 is a right side elevational view thereof;

FIG. 5 is a left side elevational view thereof;

FIG. 6 is a top plan view thereof; and,

FIG. 7 is a bottom plan view thereof.

The evenly dashed broken line representations of items in the figures are included for the purpose of illustrating the unclaimed portions of the article that form no part of the claimed design.

1 Claim, 6 Drawing Sheets

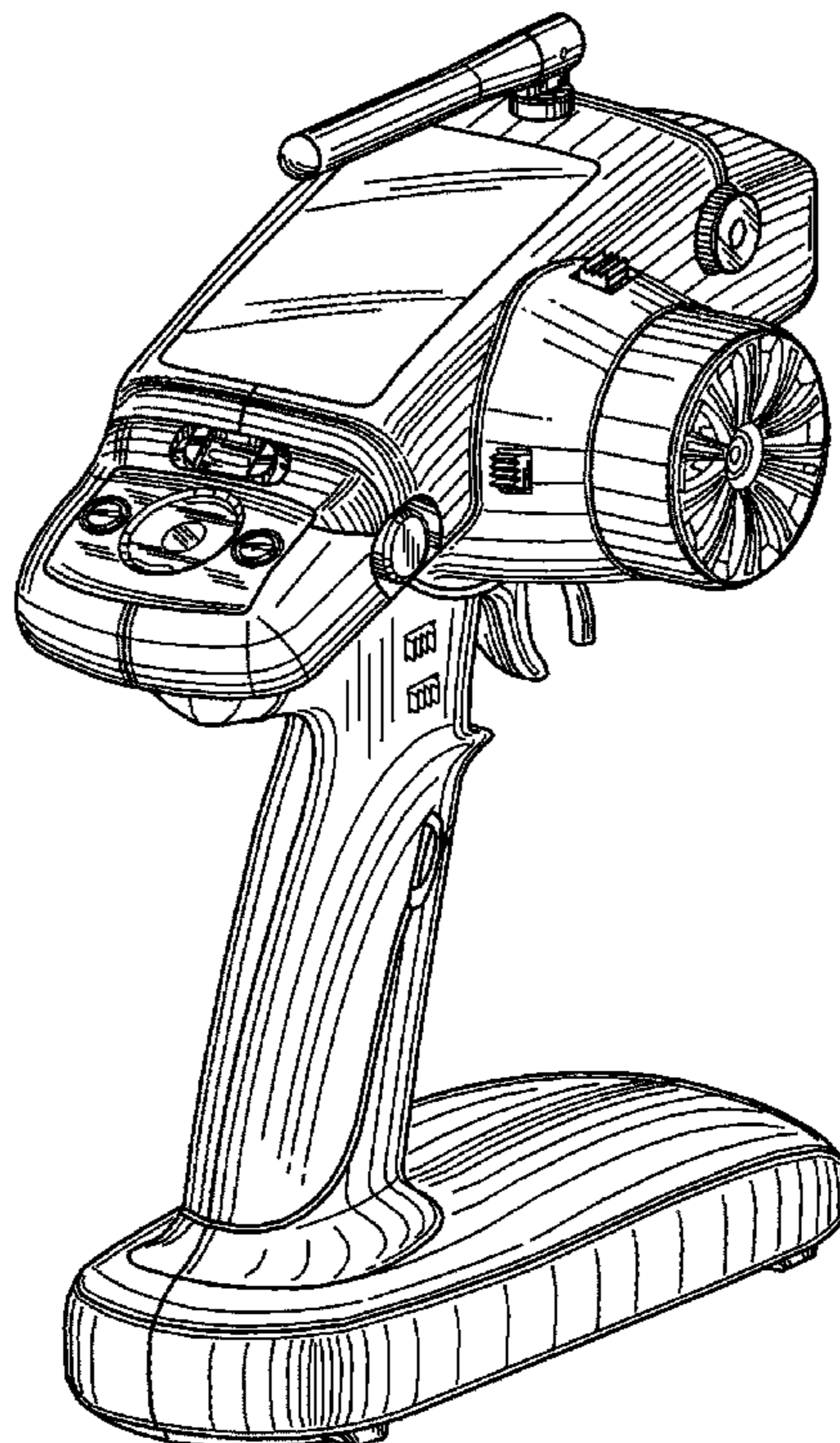


FIG. 1

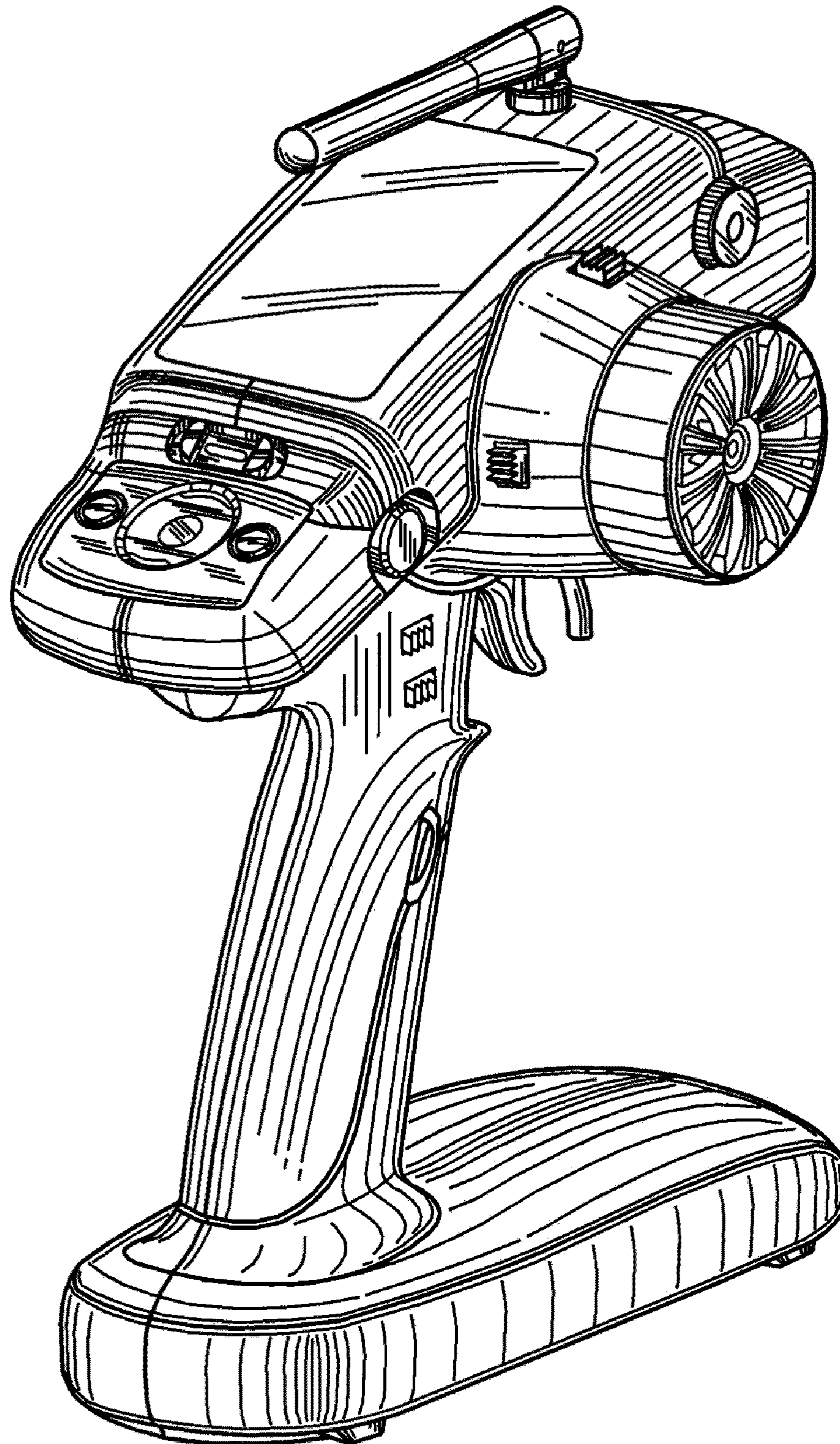


FIG. 2

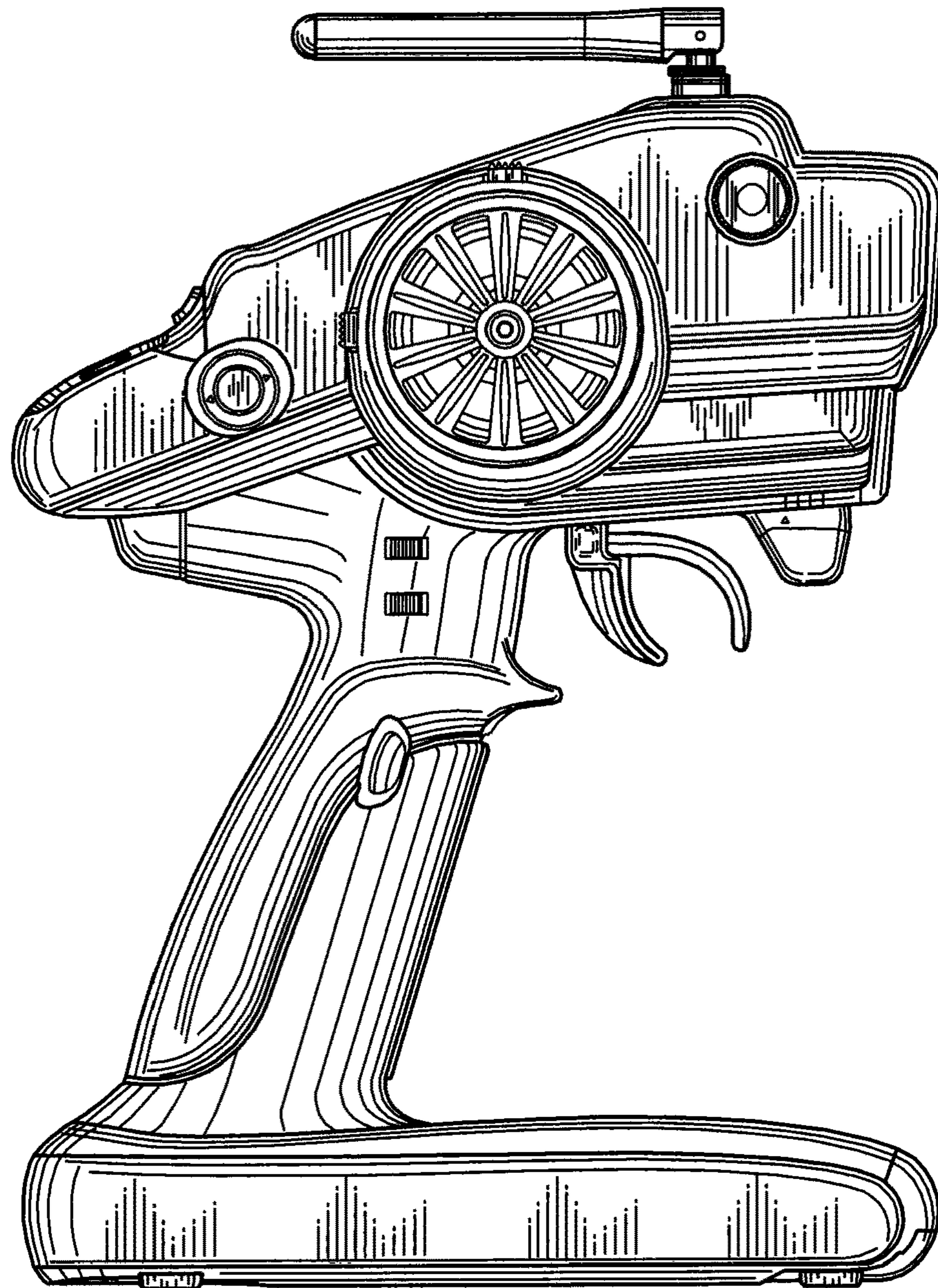


FIG. 3

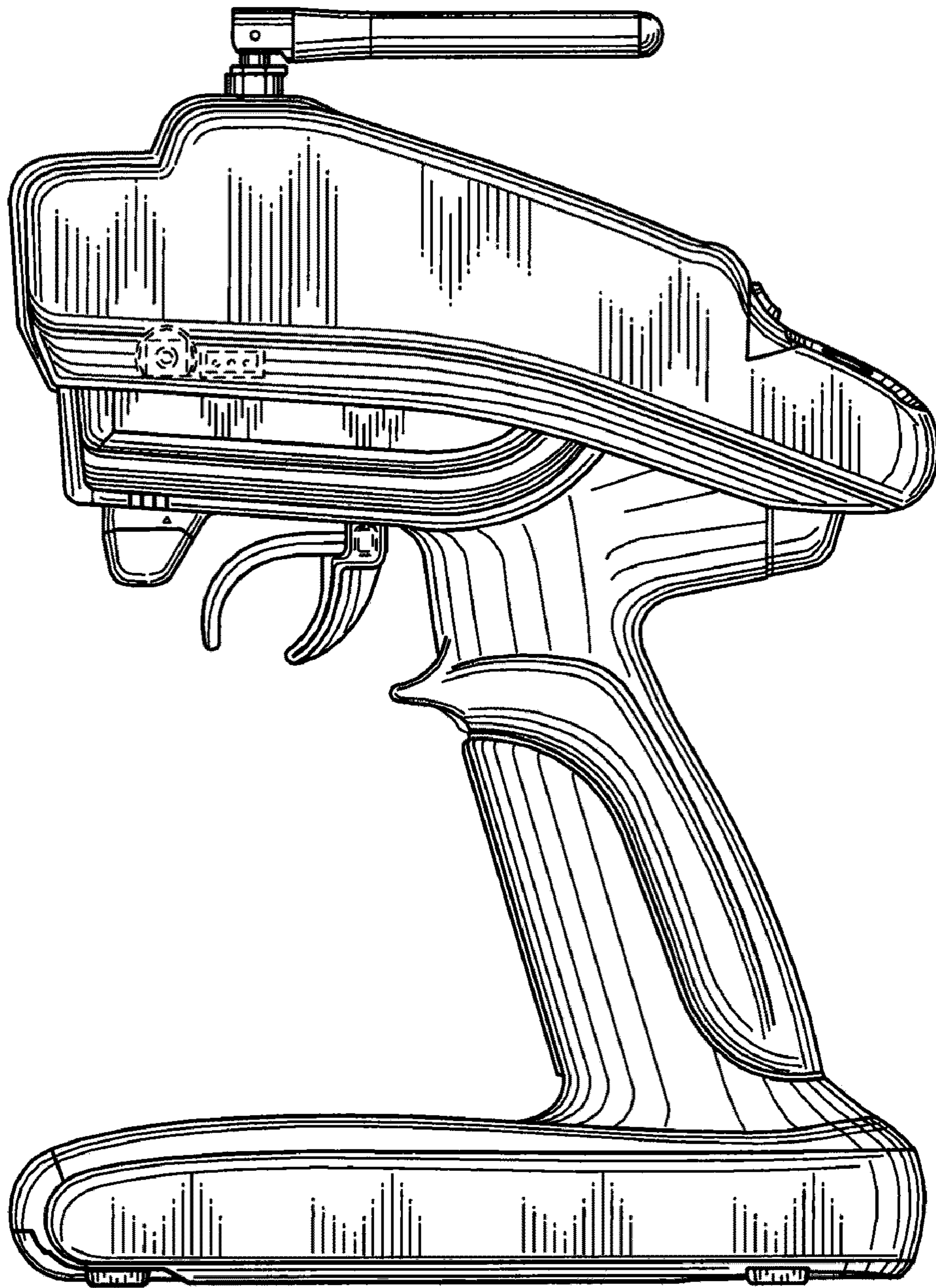


FIG. 4

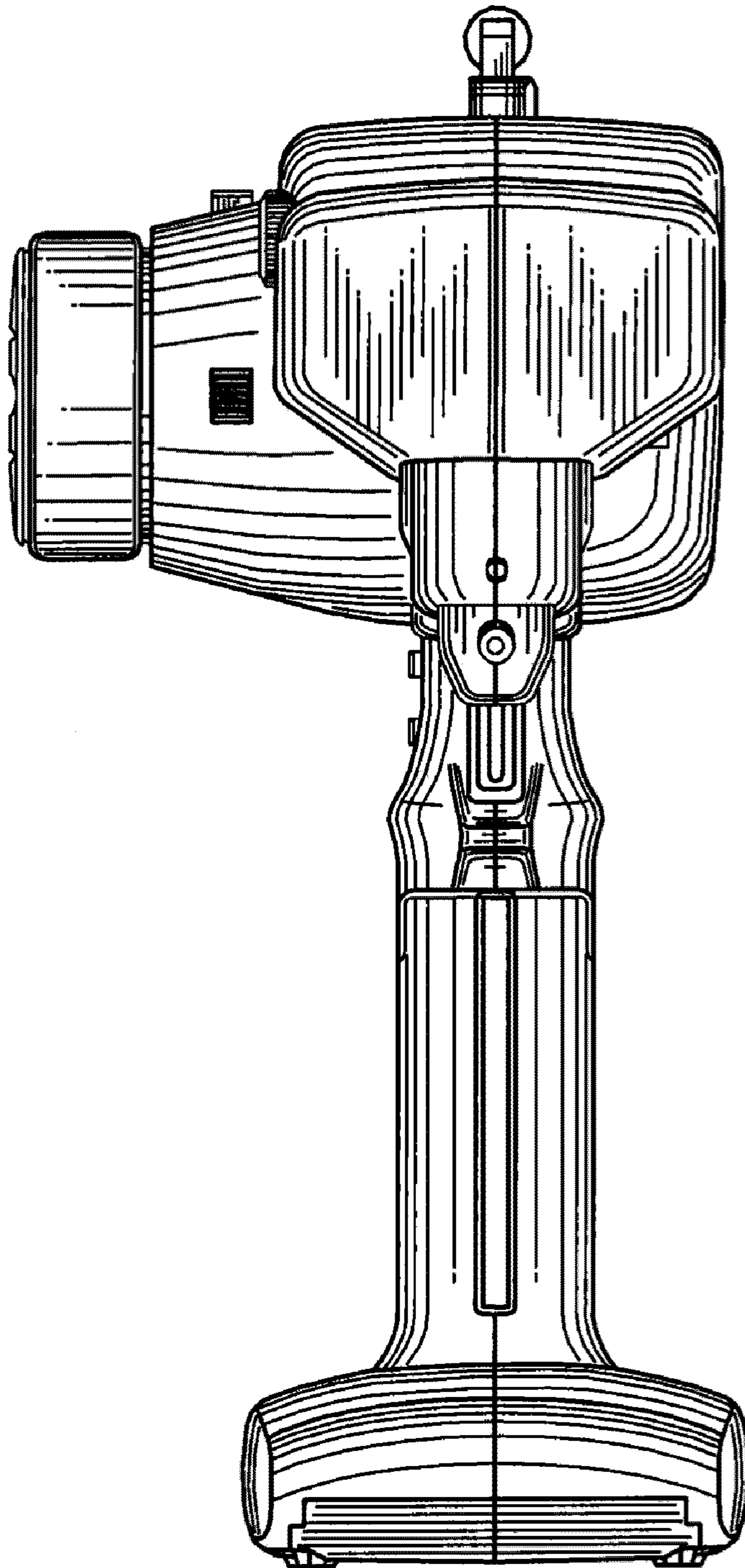


FIG. 5

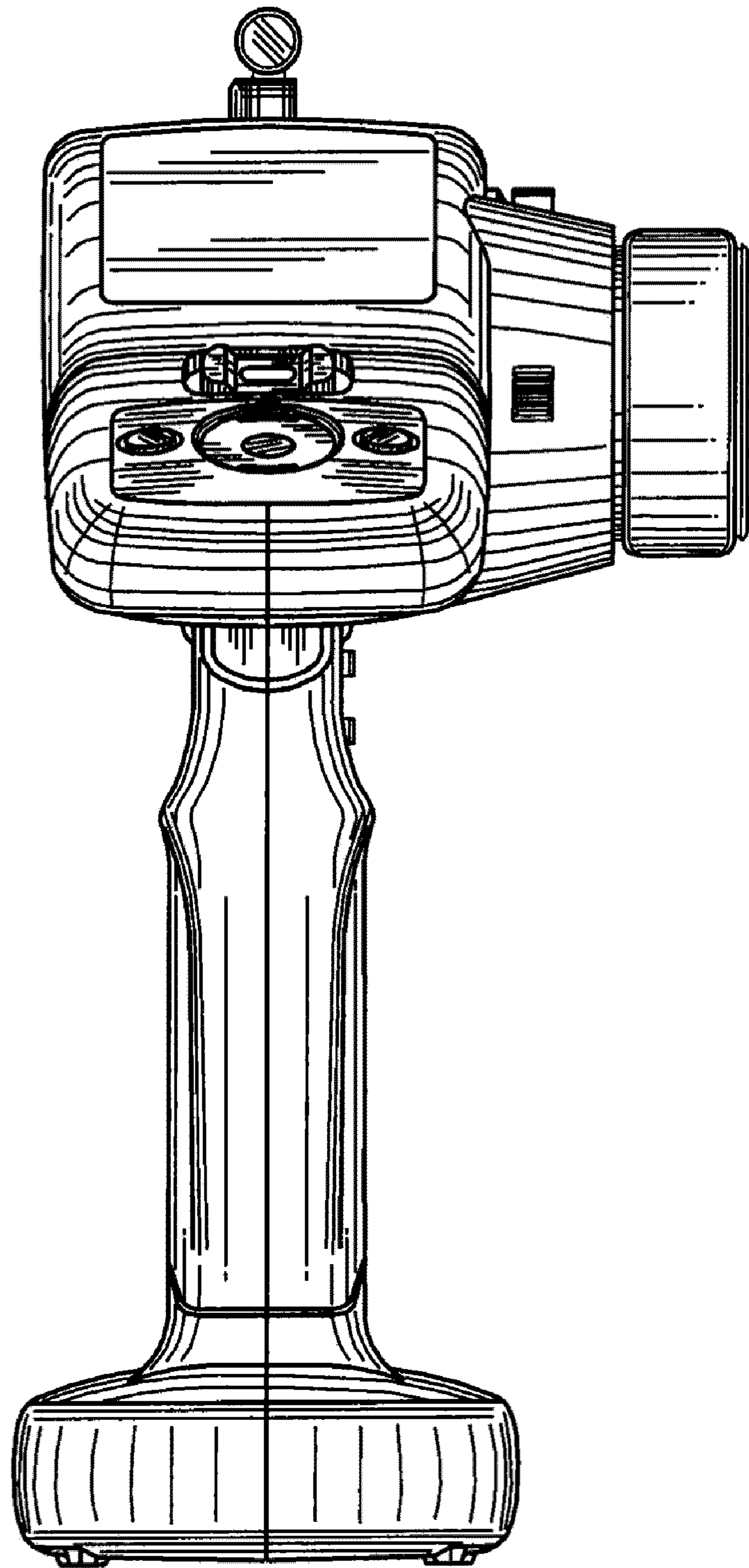


FIG. 6

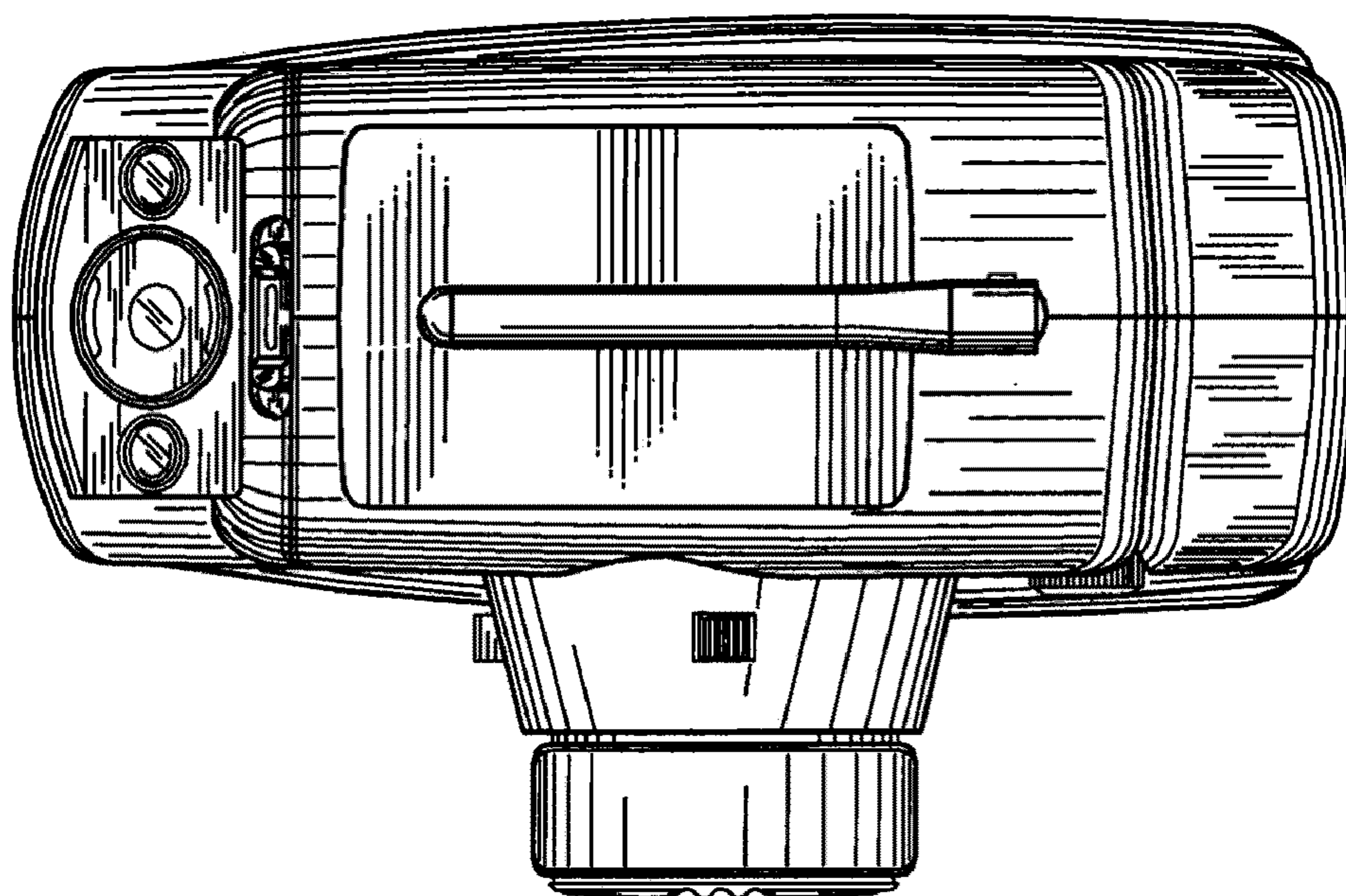


FIG. 7

