



US00D658236S

(12) **United States Design Patent**  
**Dalfonzo**

(10) **Patent No.:** **US D658,236 S**

(45) **Date of Patent:** **\*\* Apr. 24, 2012**

(54) **BALLOON WITH SHOT CARRIER**

(76) Inventor: **Anthony Michael Dalfonzo**, Jackson, NJ (US)

(\*\*) Term: **14 Years**

(21) Appl. No.: **29/380,859**

(22) Filed: **Dec. 13, 2010**

(51) **LOC (9) Cl.** ..... **21-01**

(52) **U.S. Cl.** ..... **D21/453**

(58) **Field of Classification Search** ..... D7/538;  
D9/414, 424, 428; D21/436, 439-440, 453-454;  
446/220, 224-226; D22/112

See application file for complete search history.

(56) **References Cited**

U.S. PATENT DOCUMENTS

344,515 A	6/1886	Biehl	
4,026,499 A	5/1977	Crosby	
4,038,777 A	8/1977	Schwartz	
4,145,838 A	3/1979	Mason	
4,758,199 A	7/1988	Tillotson et al.	
4,784,628 A	11/1988	McArdle et al.	
5,004,633 A	4/1991	Lovik	
5,035,391 A	7/1991	Steele et al.	
5,117,344 A *	5/1992	Perez	446/220
5,188,314 A *	2/1993	Peters	446/220
5,403,222 A *	4/1995	Koenig et al.	446/220

5,509,540 A	4/1996	Pomerantz	
D371,574 S	7/1996	Barton et al.	
5,755,419 A	5/1998	Gearhart et al.	
5,797,783 A	8/1998	Harris	
5,938,154 A	8/1999	Bartels	
5,989,093 A	11/1999	Nelson et al.	
D423,340 S *	4/2000	Sittig	D8/374
6,688,939 B1	2/2004	Novak	
D542,346 S	5/2007	Barton et al.	
D606,363 S *	12/2009	Aardenburg	D7/538

\* cited by examiner

*Primary Examiner* — Sandra Morris

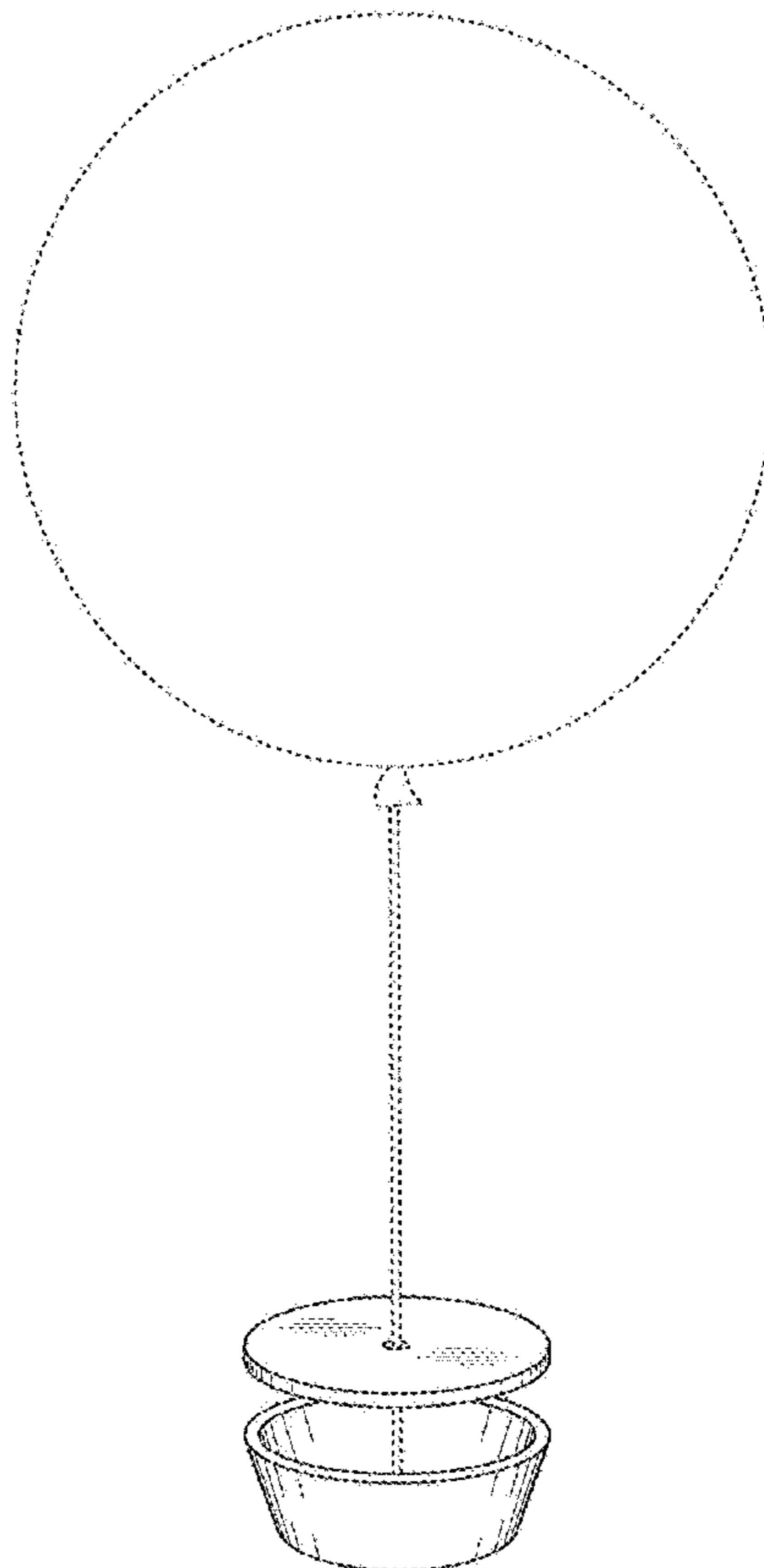
(57) **CLAIM**

What is claimed is a balloon with shot carrier, as shown and described.

**DESCRIPTION**

FIG. 1 is a front perspective view of the present invention. FIG. 2 is a front perspective view of the present invention. FIG. 3 is a side elevation view of the present invention. FIG. 4 is a side elevation view of the present invention. FIG. 5 is a side elevation view of the present invention. FIG. 6 is a side elevation view of the present invention. FIG. 7 is a top elevation view of the present invention; and, FIG. 8 is a bottom elevation view of the present invention. The broken line showing is for illustrative purposes only, and forms no part of the claimed design.

**1 Claim, 3 Drawing Sheets**



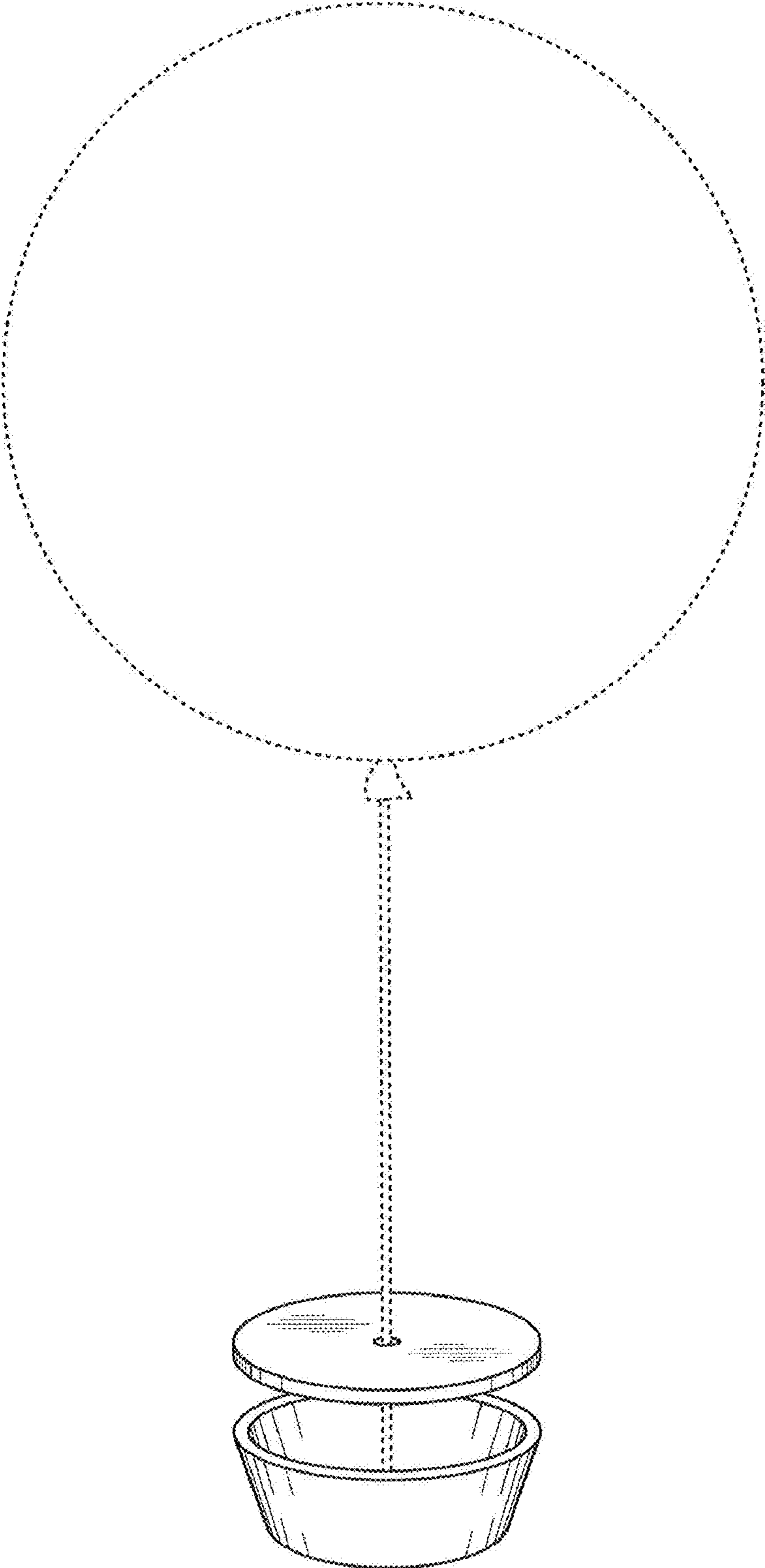


FIG. 1

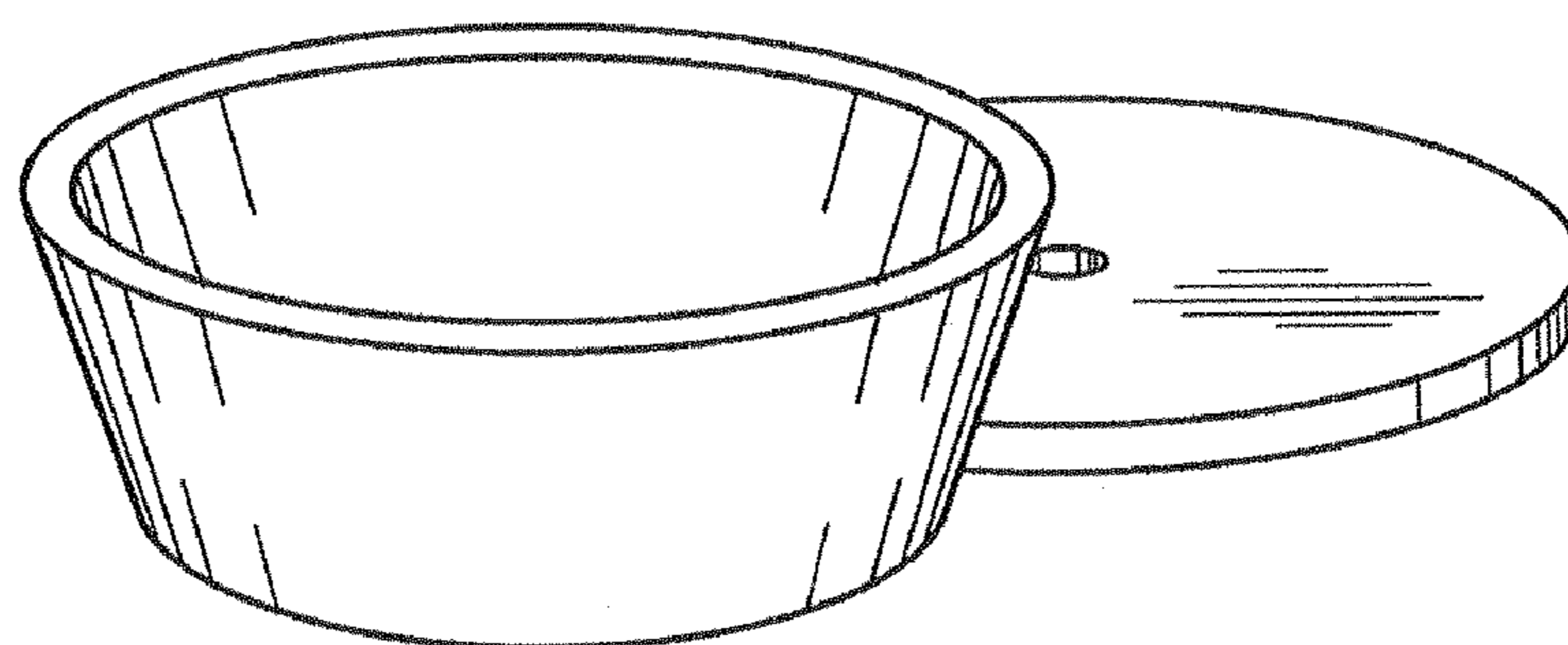


FIG. 2

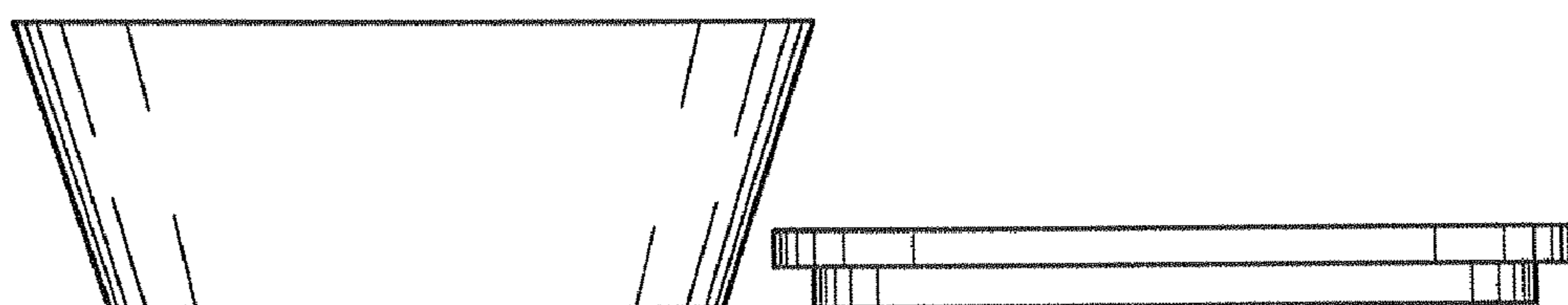


FIG. 3

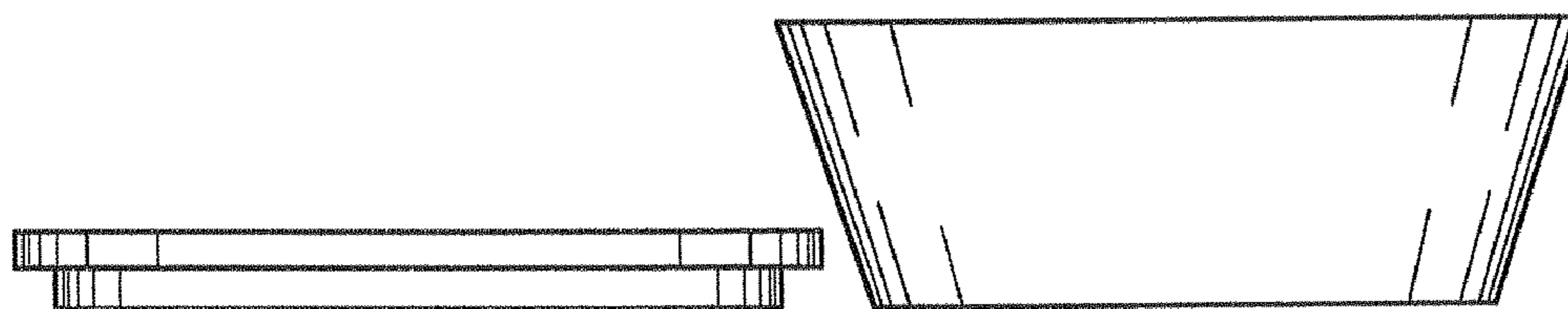


FIG. 4



FIG. 5

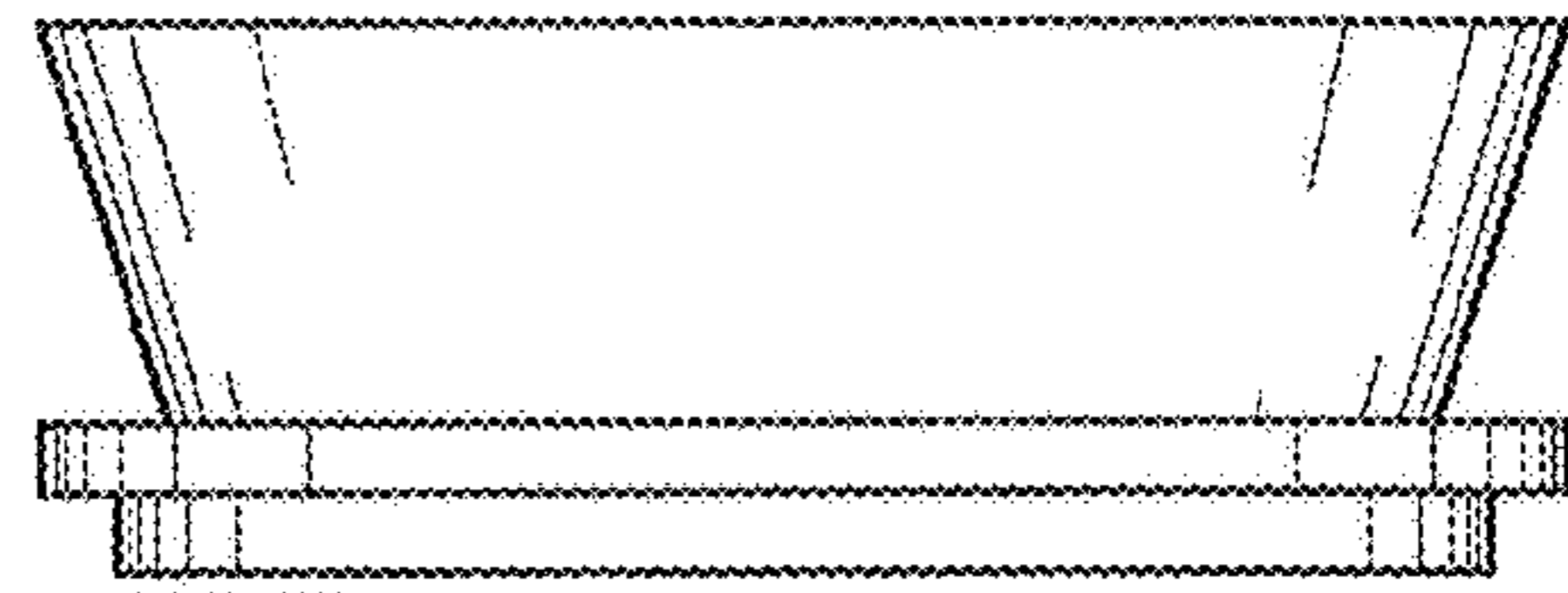


FIG. 6

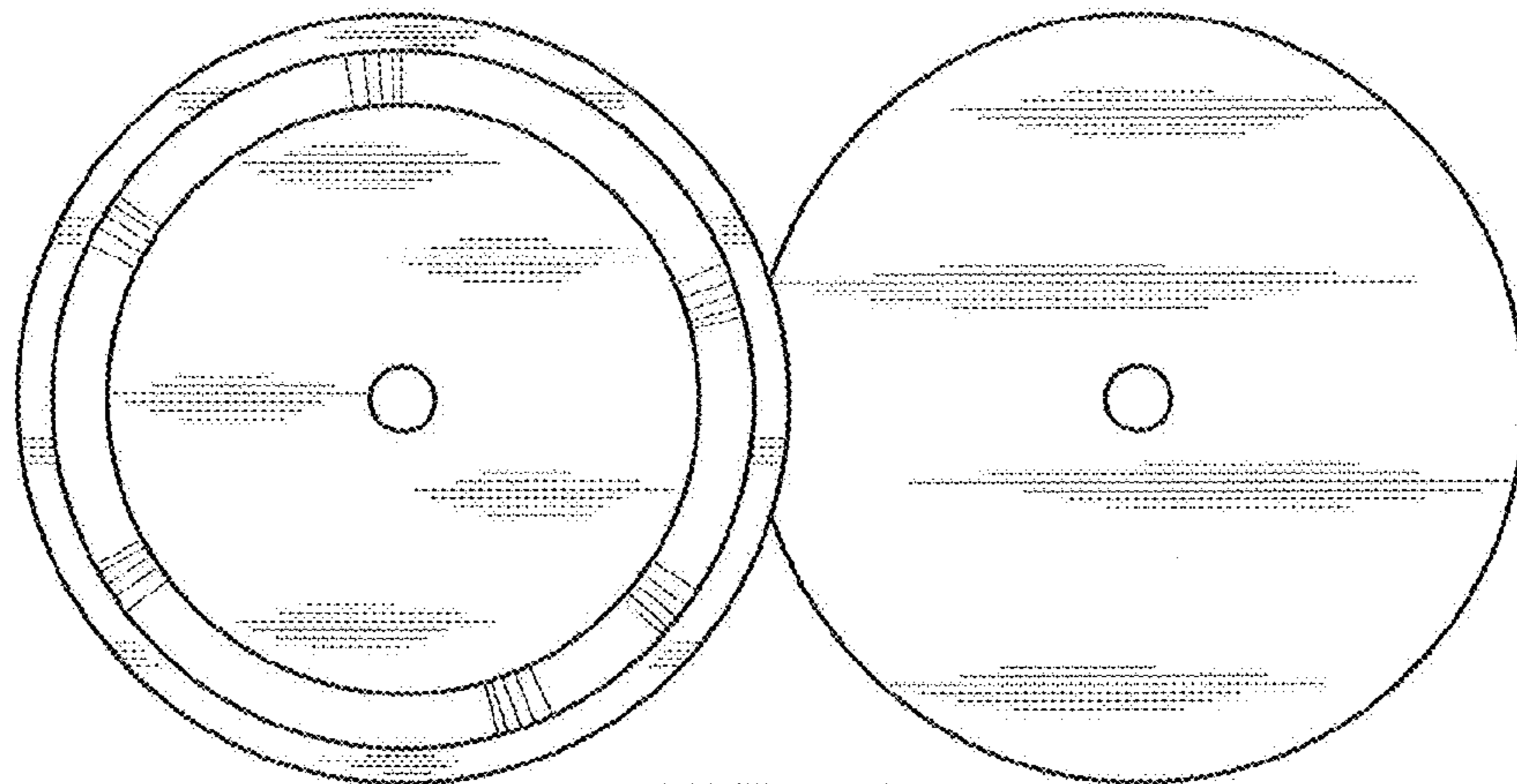


FIG. 7

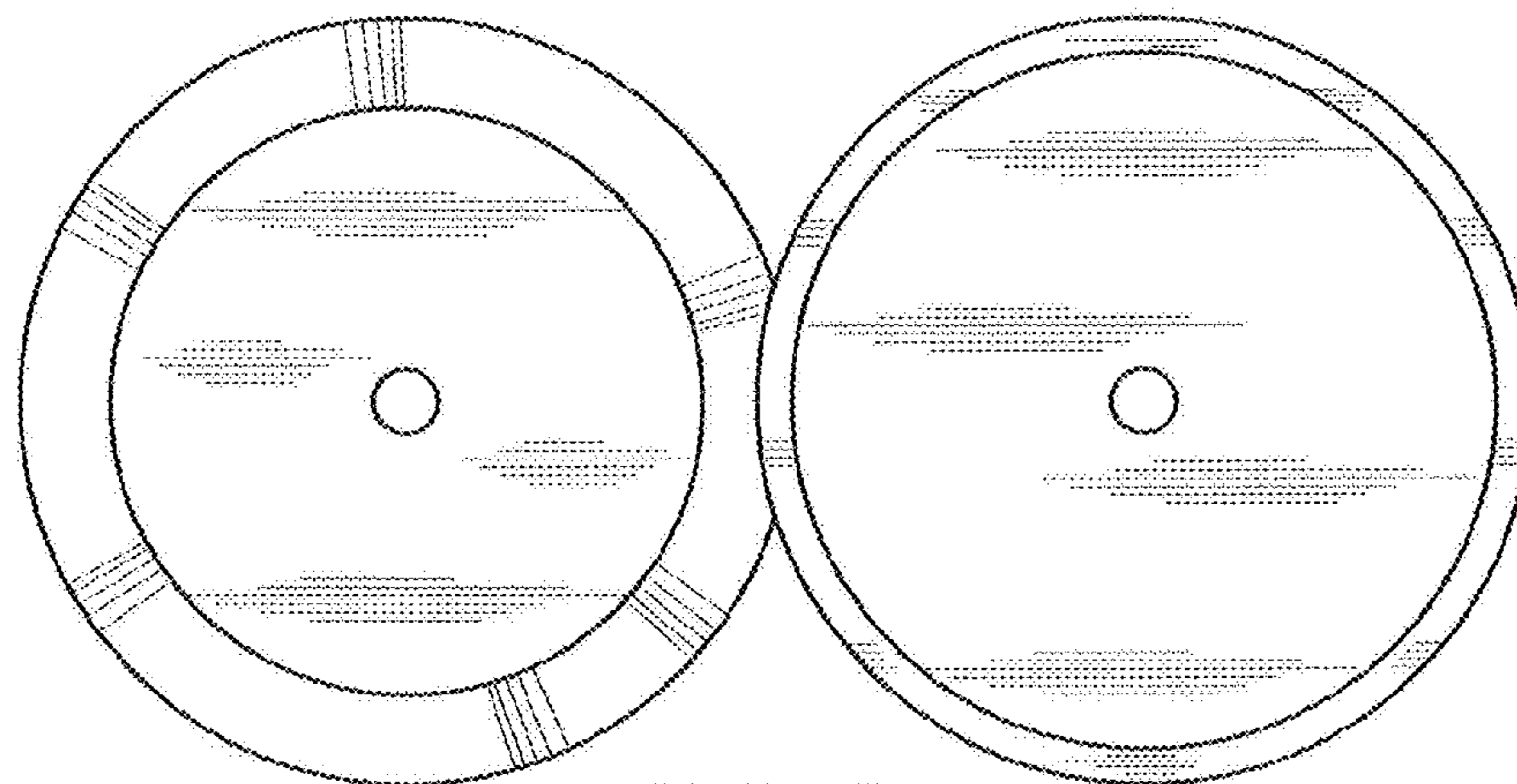


FIG. 8