



US00D658233S

(12) **United States Design Patent**  
**Byford**

(10) **Patent No.:** **US D658,233 S**

(45) **Date of Patent:** **\*\* Apr. 24, 2012**

(54) **MAGNETIC SIGN HOLDER**

(76) Inventor: **Amanda J. Byford**, Houston, TX (US)

(\*\*) Term: **14 Years**

(21) Appl. No.: **29/381,772**

(22) Filed: **Dec. 22, 2010**

(51) **LOC (9) Cl.** ..... **20-02**

(52) **U.S. Cl.** ..... **D20/43**

(58) **Field of Classification Search** ..... D20/10,  
D20/13, 15, 19, 42-43, 99; 40/299.01, 312,  
40/575, 605, 642, 642.02, 643, 646-648,  
40/649-653, 654.01, 655, 658, 661, 661.01-661.04,  
40/661.06-661.09, 611.11, 611.12, 700,  
40/711, 750, 765

See application file for complete search history.

(56) **References Cited**

U.S. PATENT DOCUMENTS

|           |     |         |                 |       |           |
|-----------|-----|---------|-----------------|-------|-----------|
| 822,354   | A * | 6/1906  | Duncan          | ..... | 40/661.08 |
| 2,269,535 | A * | 1/1942  | Keck            | ..... | 40/651    |
| D202,759  | S * | 11/1965 | Fisher          | ..... | D20/44    |
| 3,293,779 | A * | 12/1966 | Vogeli, Sr.     | ..... | 40/643    |
| D303,403  | S * | 9/1989  | Barcom          | ..... | D20/43    |
| 4,955,153 | A * | 9/1990  | Albrecht et al. | ..... | 40/661    |
| 5,077,925 | A * | 1/1992  | Herrera et al.  | ..... | 40/642.02 |
| 5,241,768 | A * | 9/1993  | Thompson        | ..... |           |
| 5,771,619 | A * | 6/1998  | Wells           | ..... | 40/643    |

|           |      |         |                |              |
|-----------|------|---------|----------------|--------------|
| D399,264  | S    | 10/1998 | Kink           |              |
| 6,446,375 | B1   | 9/2002  | Davis          |              |
| 6,449,889 | B1   | 9/2002  | Hottenstein    |              |
| D473,268  | S *  | 4/2003  | Mosher et al.  | ..... D20/43 |
| 6,748,682 | B1   | 6/2004  | Sims           |              |
| 7,131,224 | B1 * | 11/2006 | Elliott et al. | ..... 40/312 |
| D540,393  | S *  | 4/2007  | Longo          | ..... D20/43 |

\* cited by examiner

*Primary Examiner* — Mary Ann Calabrese

(74) *Attorney, Agent, or Firm* — Andrew W. Chu; Craft Chu PLLC

(57) **CLAIM**

The ornamental design for a magnetic sign holder, as shown and described.

**DESCRIPTION**

FIG. 1 is an upper perspective view of the magnetic sign holder showing my design.

FIG. 2 is a front elevation view thereof;

FIG. 3 is a back elevation view thereof;

FIG. 4 is a side elevation view thereof;

FIG. 5 is an opposite side view thereof;

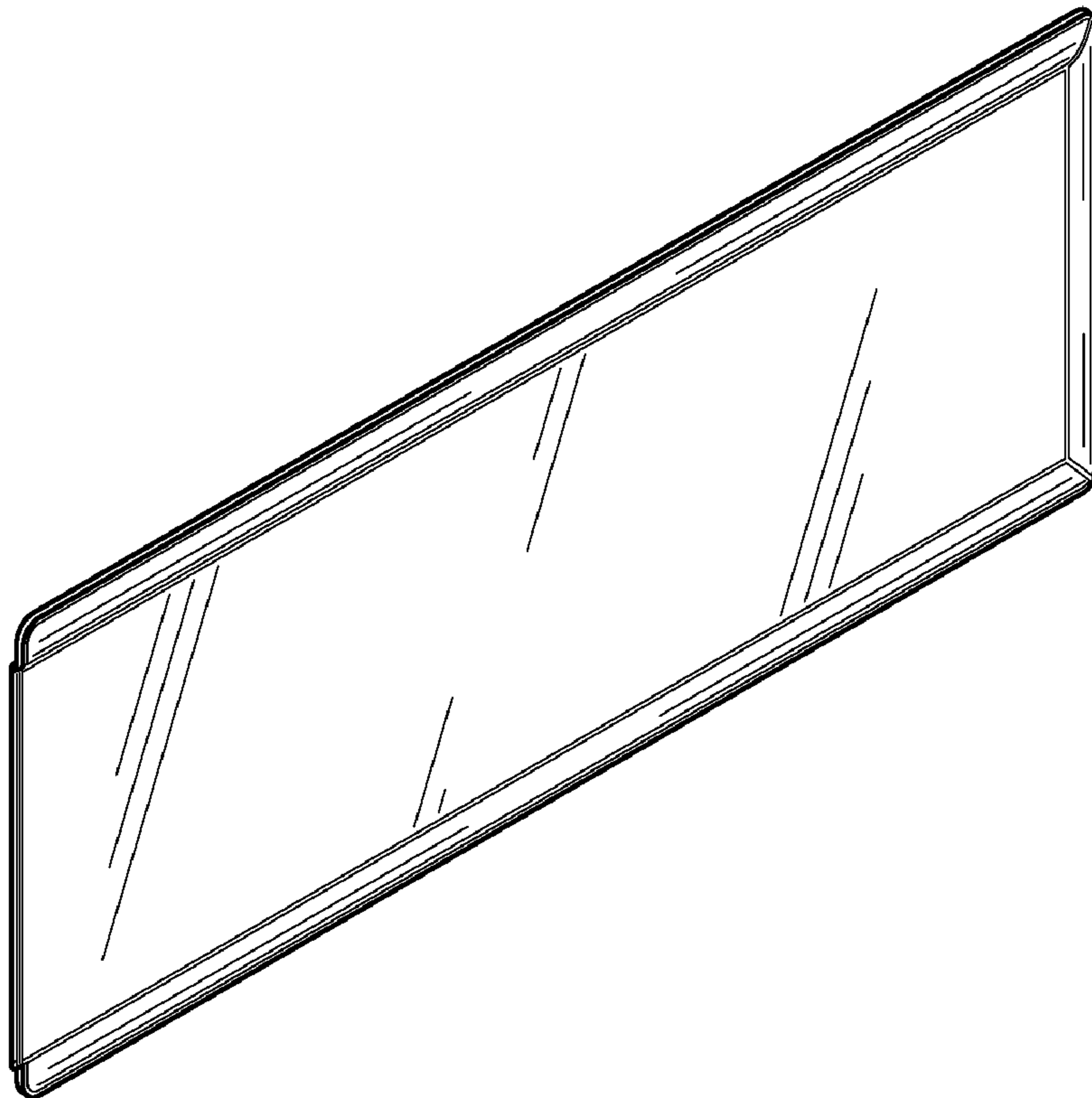
FIG. 6 is a top plan view thereof;

FIG. 7 is a bottom plan view thereof; and,

FIG. 8 is another upper perspective view thereof, showing an open position of a tab portion.

The back surface as shown in FIG. 3 is magnetic.

**1 Claim, 2 Drawing Sheets**



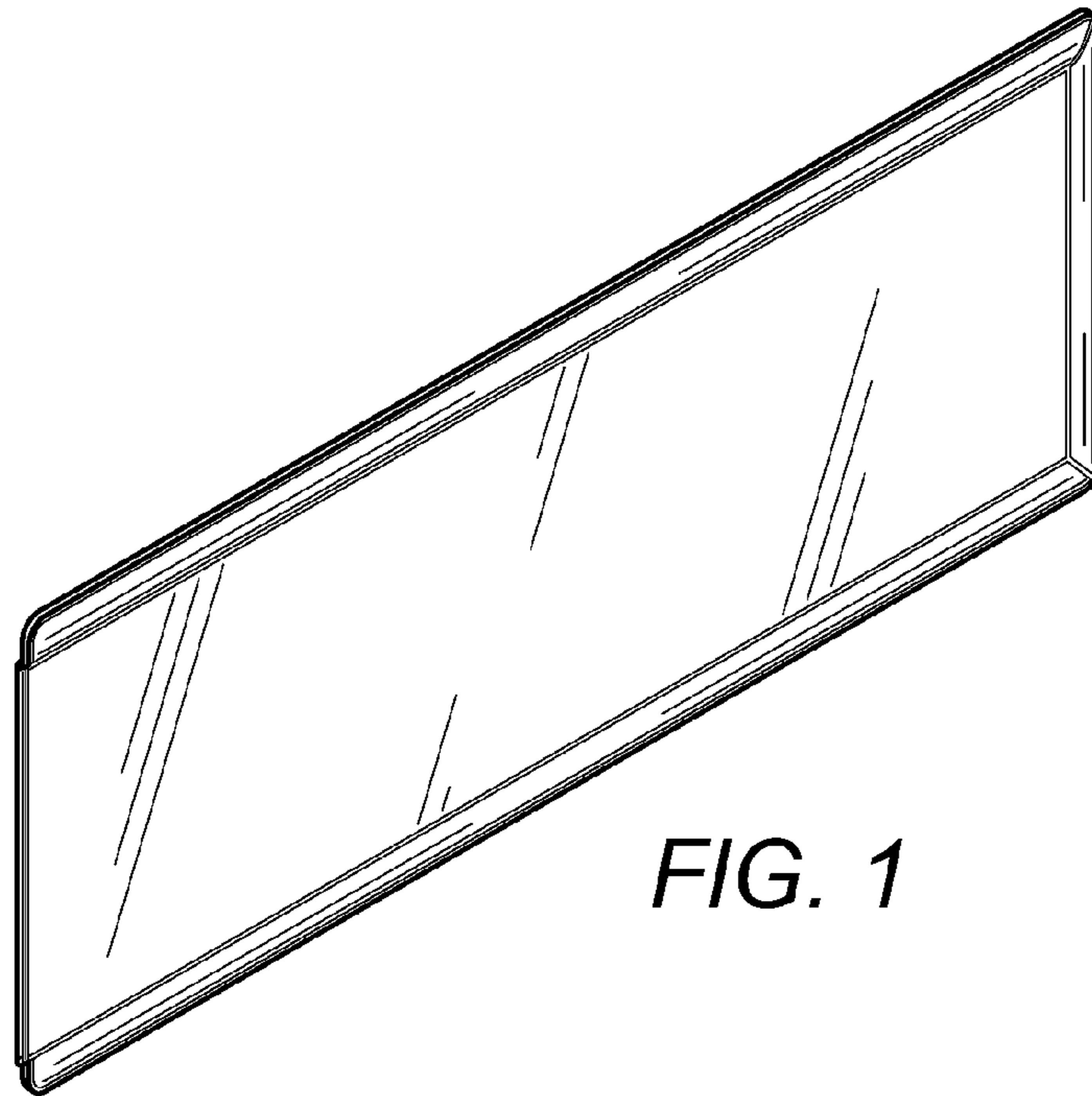


FIG. 1

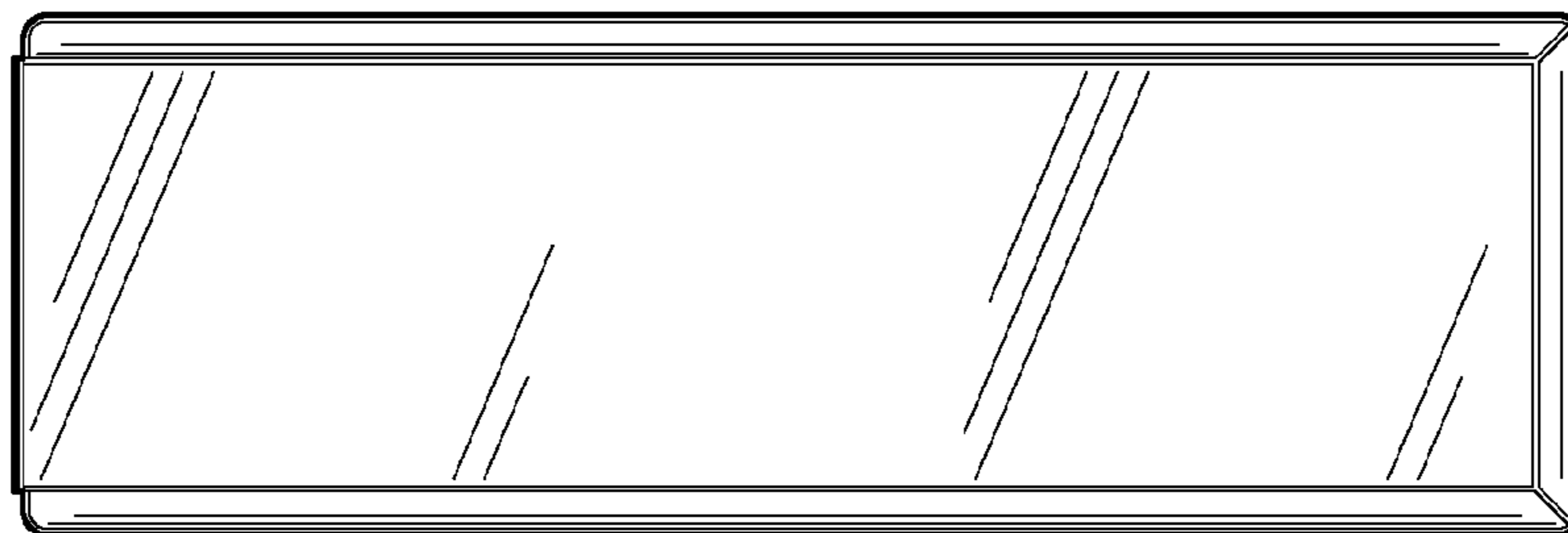


FIG. 2

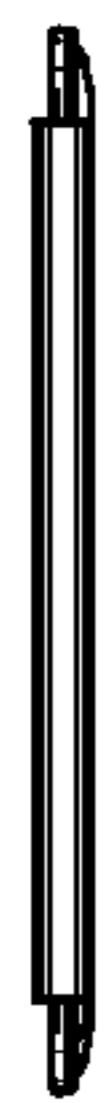


FIG. 4

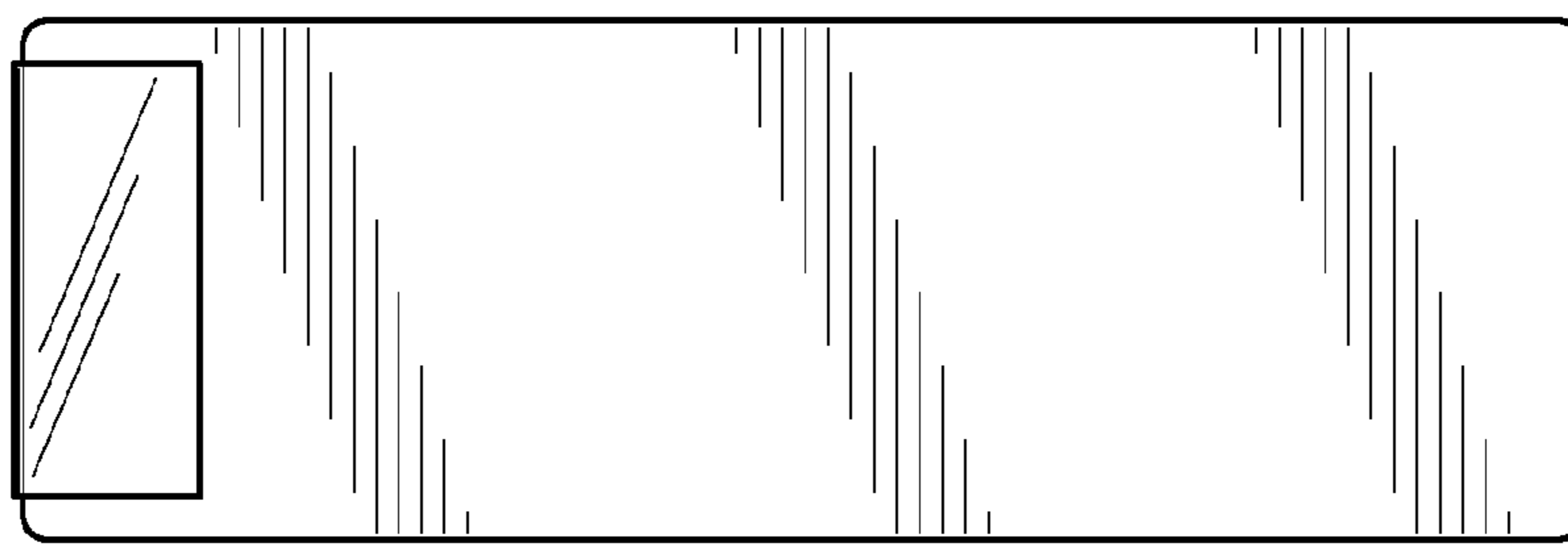


FIG. 3



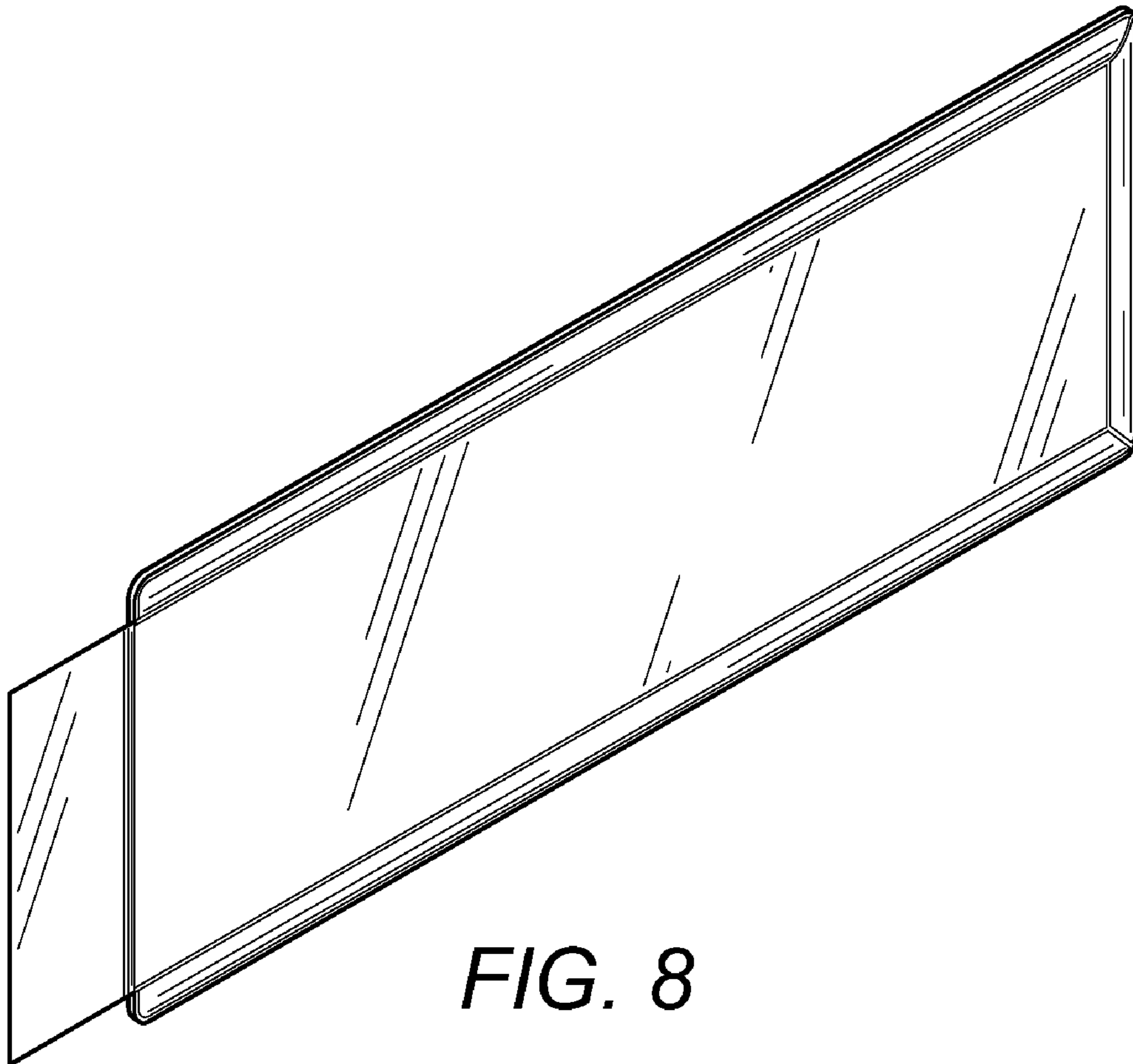
FIG. 5



*FIG. 6*



*FIG. 7*



*FIG. 8*