



US00D658228S

(12) **United States Design Patent**
Maeshima

(10) **Patent No.:** **US D658,228 S**

(45) **Date of Patent:** **** Apr. 24, 2012**

(54) **TONER CARTRIDGE**

(75) Inventor: **Masanobu Maeshima**, Osaka (JP)

(73) Assignee: **Kyocera Mita Corporation**, Osaka (JP)

(**) Term: **14 Years**

(21) Appl. No.: **29/375,899**

(22) Filed: **Sep. 29, 2010**

(30) **Foreign Application Priority Data**

Apr. 1, 2010 (JP) 2010-008300

(51) **LOC (9) Cl.** **16-03**

(52) **U.S. Cl.** **D18/43**

(58) **Field of Classification Search** D14/471;
D18/12, 36, 40, 43, 44, 56; 222/DIG. 1;
347/197, 222; 399/24-28, 107-112, 119,
399/121, 122, 222-224

See application file for complete search history.

(56) **References Cited**

U.S. PATENT DOCUMENTS

D286,541 S * 11/1986 Takahashi et al. D18/43
D390,867 S * 2/1998 Kurisu D18/40
D397,140 S * 8/1998 Oshida D18/40

D451,127 S * 11/2001 Katou et al. D18/43
D462,712 S * 9/2002 Katou et al. D18/43
D529,541 S * 10/2006 Kawai D18/43
2005/0158072 A1 * 7/2005 Kawai 399/106

* cited by examiner

Primary Examiner — Garth Rademaker

(74) *Attorney, Agent, or Firm* — Young & Thompson

(57) **CLAIM**

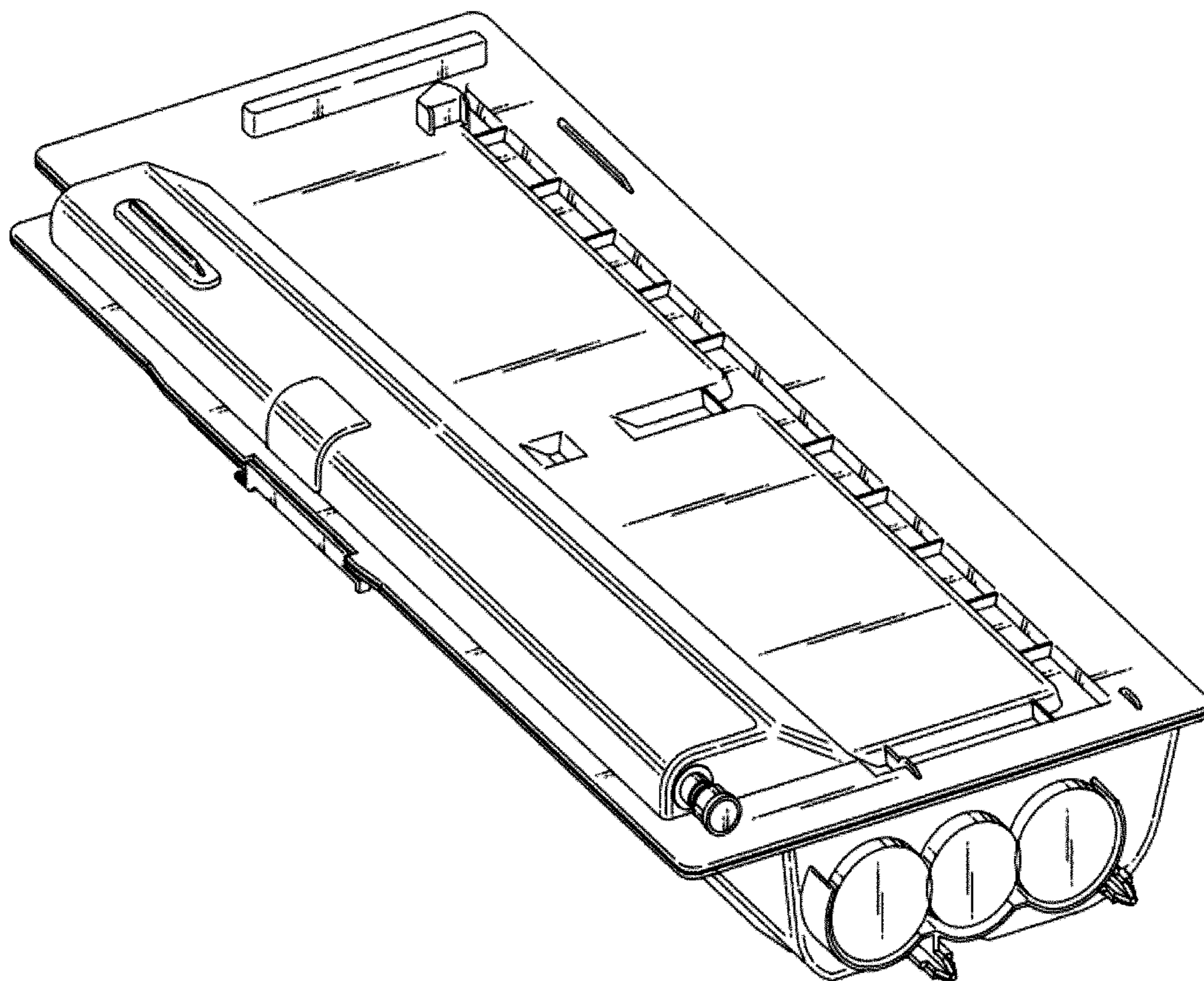
The ornamental design for a toner cartridge, as shown and described.

DESCRIPTION

FIG. 1 is a front, top, right side perspective view of a toner cartridge showing my new design;
FIG. 2 is a rear, bottom, left side perspective view thereof;
FIG. 3 is a front elevation view thereof;
FIG. 4 is a rear elevation view thereof;
FIG. 5 is a top plan view thereof;
FIG. 6 is a bottom plan view thereof;
FIG. 7 is a right side elevation view thereof; and,
FIG. 8 is a left side elevation view thereof.

The portions of the design shown in broken lines are for illustrative purposes only and form no part of the claimed design.

1 Claim, 6 Drawing Sheets



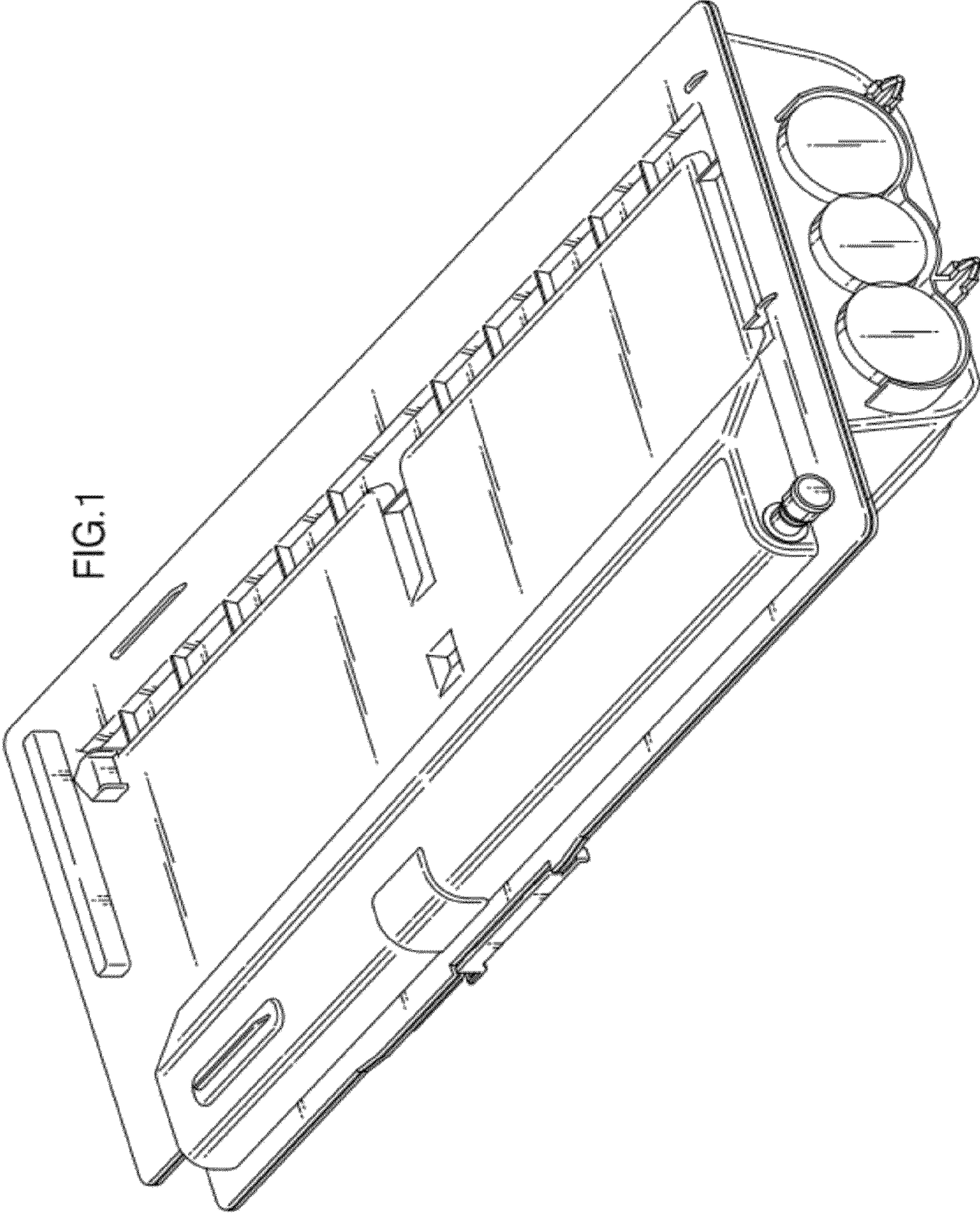


FIG. 1

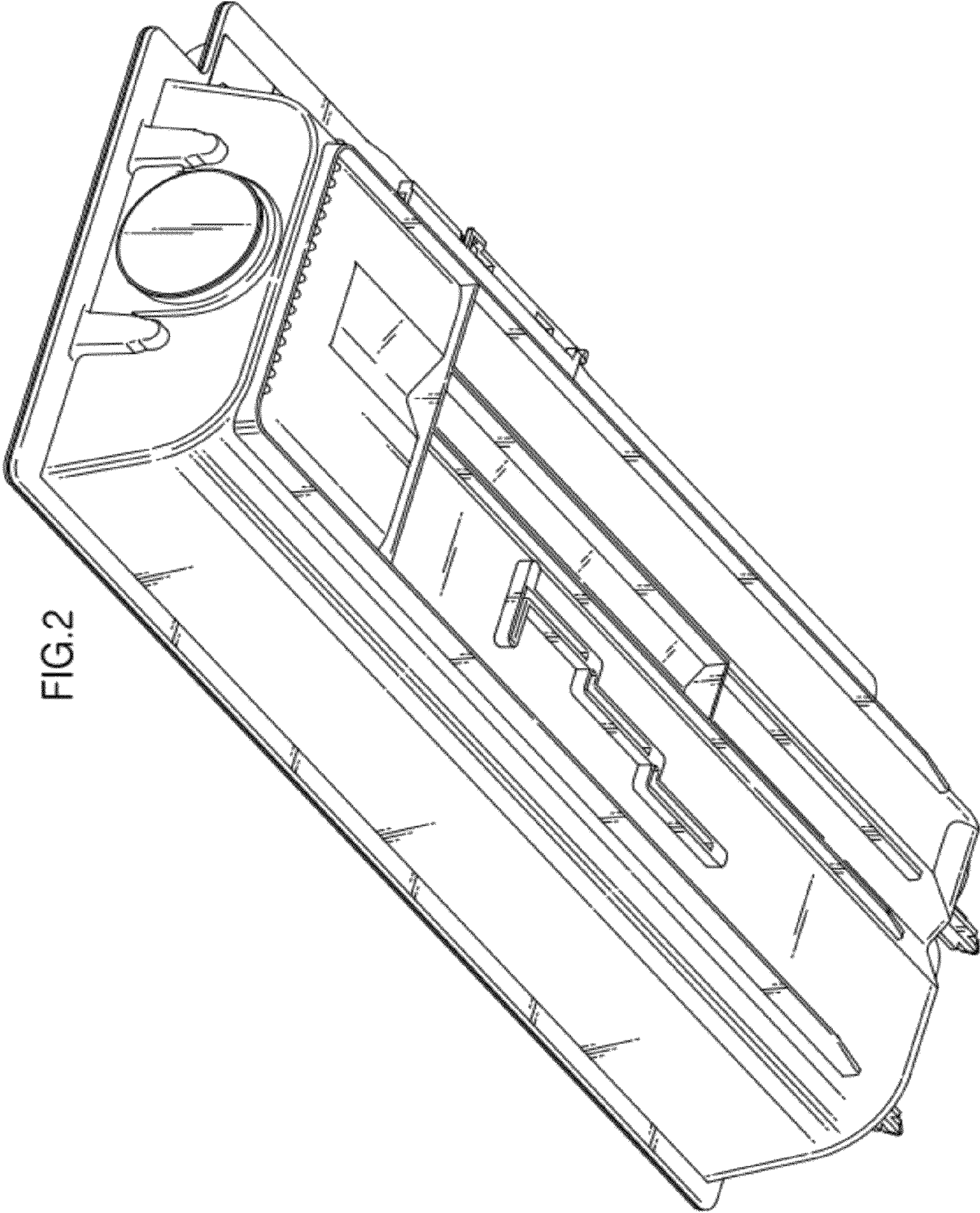


FIG.2

FIG.3

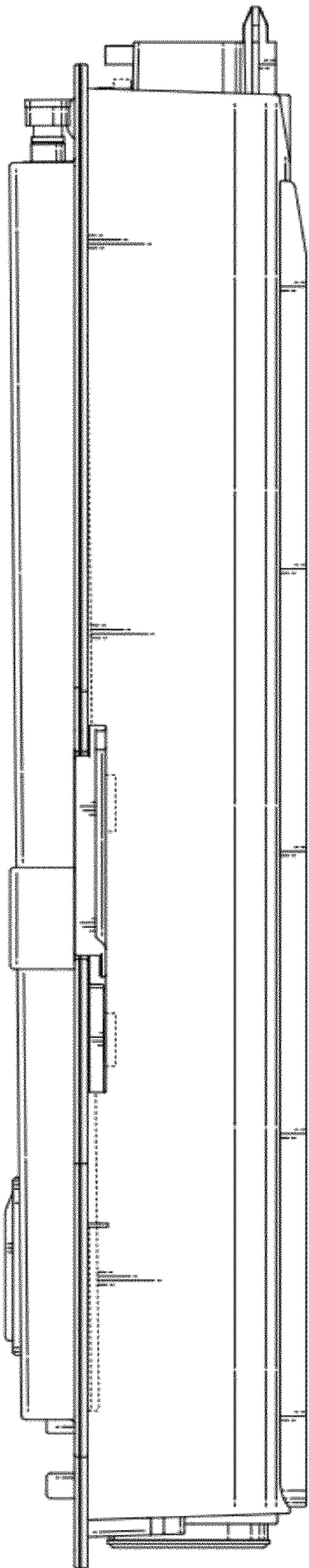


FIG.4

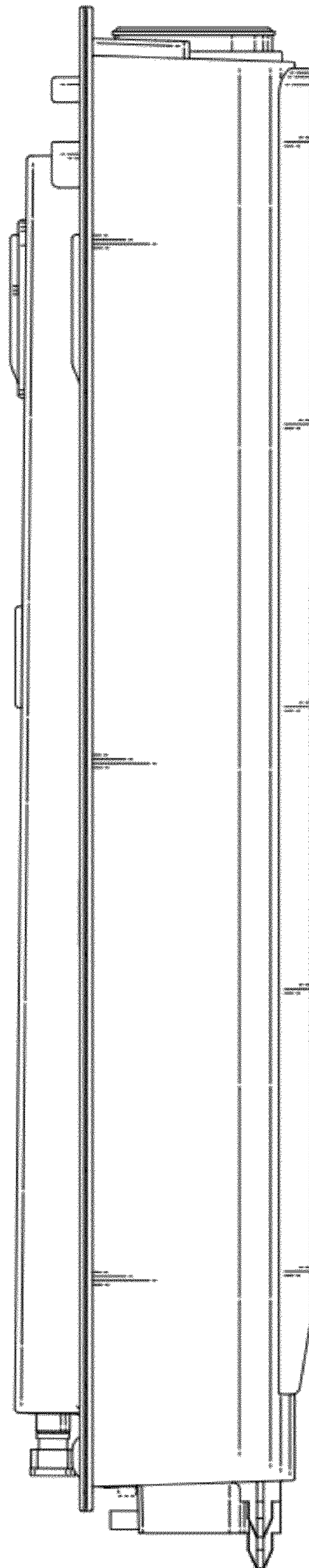


FIG.5

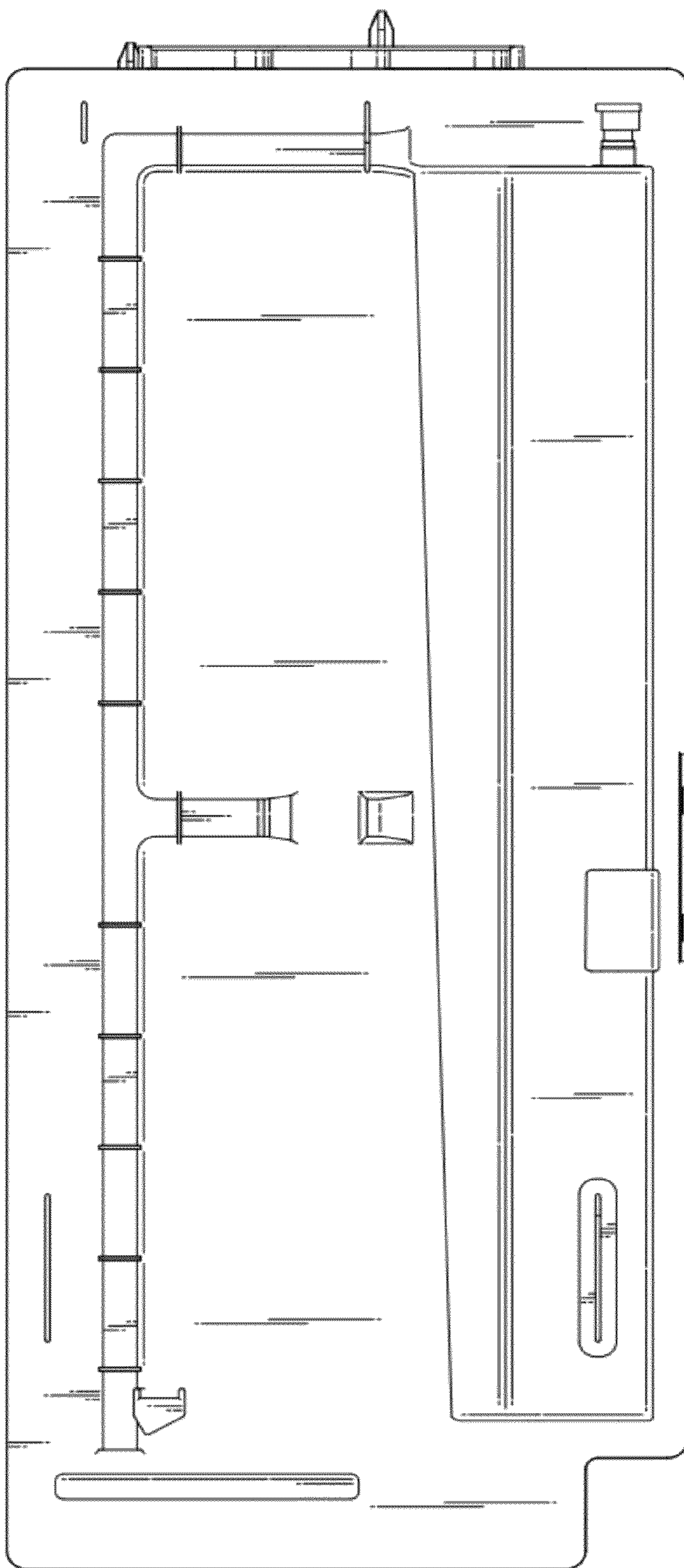


FIG.6

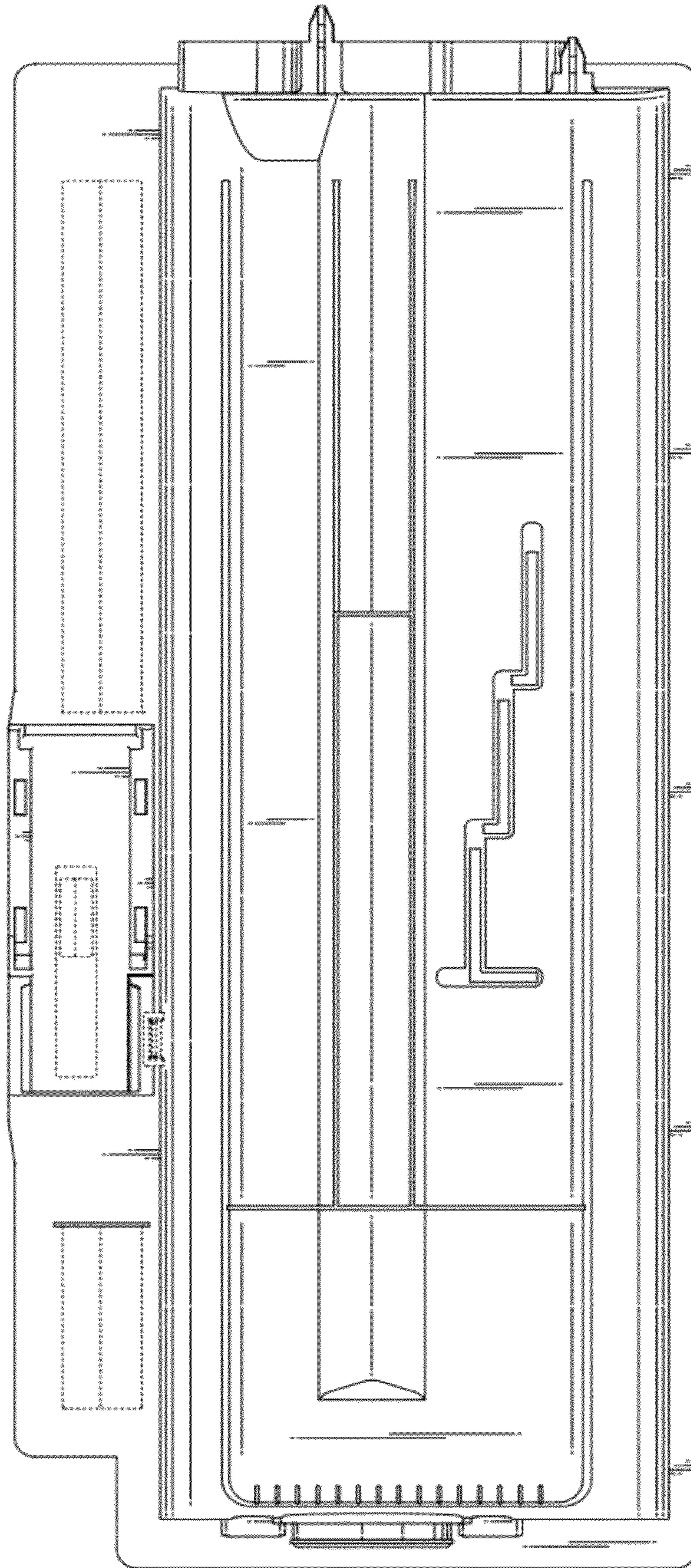


FIG.7

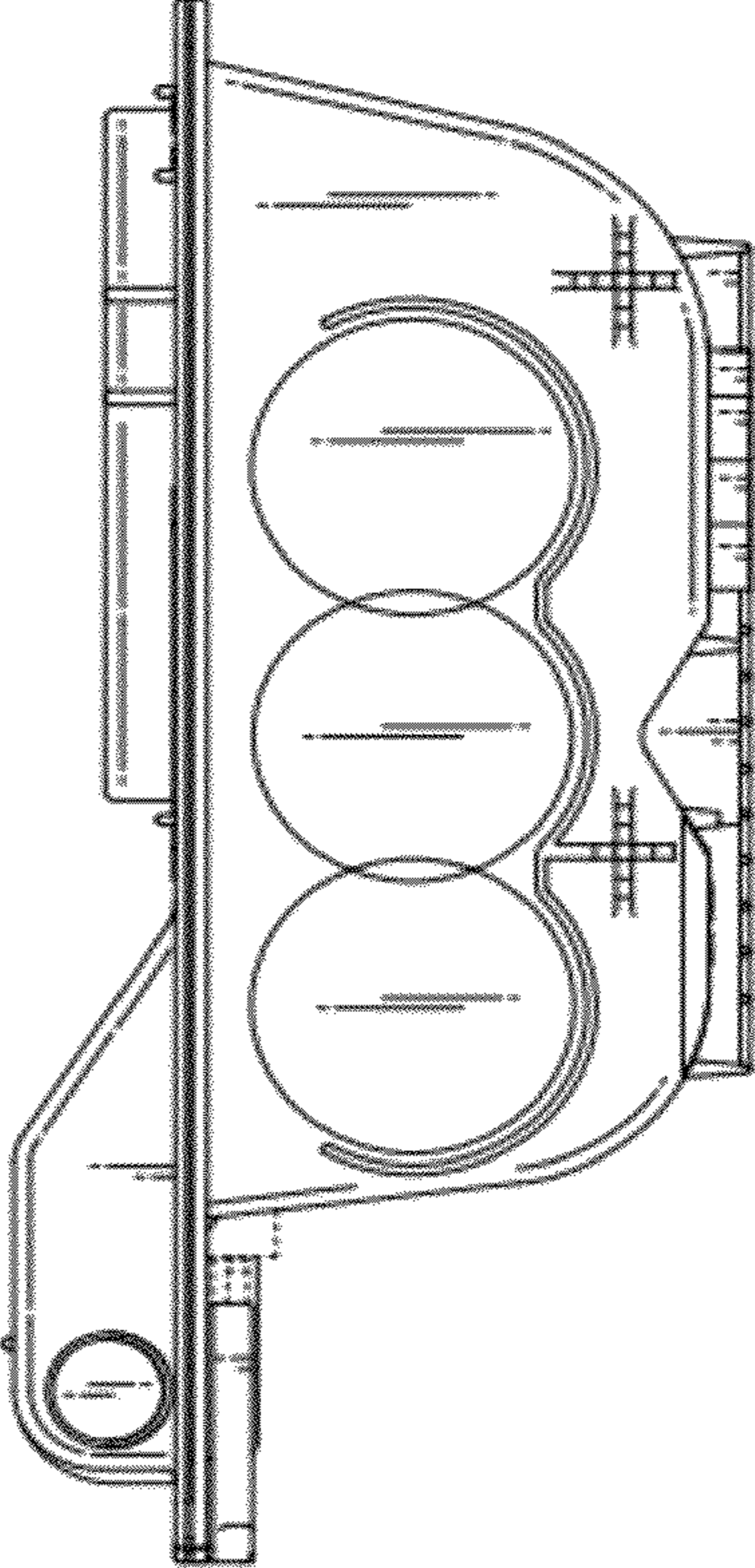


FIG.8

