



US00D658226S

(12) **United States Design Patent**
Sierra et al.

(10) **Patent No.:** **US D658,226 S**

(45) **Date of Patent:** **** Apr. 24, 2012**

(54) **MAGNETIC EYEGLASS HINGE**

(76) Inventors: **Diana Sierra**, North Bergen, NJ (US);
Eiichi Nakanishi, Osaka (JP)

(**) Term: **14 Years**

(21) Appl. No.: **29/369,726**

(22) Filed: **Sep. 13, 2010**

(51) **LOC (9) Cl.** **16-06**

(52) **U.S. Cl.** **D16/334**

(58) **Field of Classification Search** D16/101,
D16/300-342, 900; D29/109-110; D24/110.2;
351/41, 44, 51-52, 62, 158, 92, 103-123,
351/140, 153, 45-46; 2/426-432, 447-449,
2/441, 434-437, 13, 15; D21/483, 659-661;
D14/372

See application file for complete search history.

(56) **References Cited**

U.S. PATENT DOCUMENTS

1,593,617	A *	7/1926	Aldridge	351/99
4,243,305	A *	1/1981	Elder	351/121
5,335,025	A	8/1994	Wang		
5,971,539	A *	10/1999	Kobayashi	351/153
6,089,708	A	7/2000	Ku		
6,210,004	B1 *	4/2001	Horikawa et al.	351/153
6,331,057	B1	12/2001	Strube		
6,352,342	B1	3/2002	Huang		
6,375,324	B2	4/2002	Schleger		
D544,901	S *	6/2007	Fuchs	D16/327
D551,693	S *	9/2007	Fuchs	D16/321
7,497,571	B2 *	3/2009	Rossin	351/153
D601,181	S *	9/2009	Fuchs	D16/315
7,794,080	B2 *	9/2010	Zelazowski	351/153
D631,084	S *	1/2011	Phillips	D16/335
2006/0146276	A1	7/2006	Park		

2007/0013863 A1 1/2007 Zelazowski
2007/0132942 A1 6/2007 Zelazowski
2008/0088791 A1 4/2008 Smith

* cited by examiner

Primary Examiner — Raphael Barkai

(74) *Attorney, Agent, or Firm* — Williams Mullen; Timothy J. Bechen

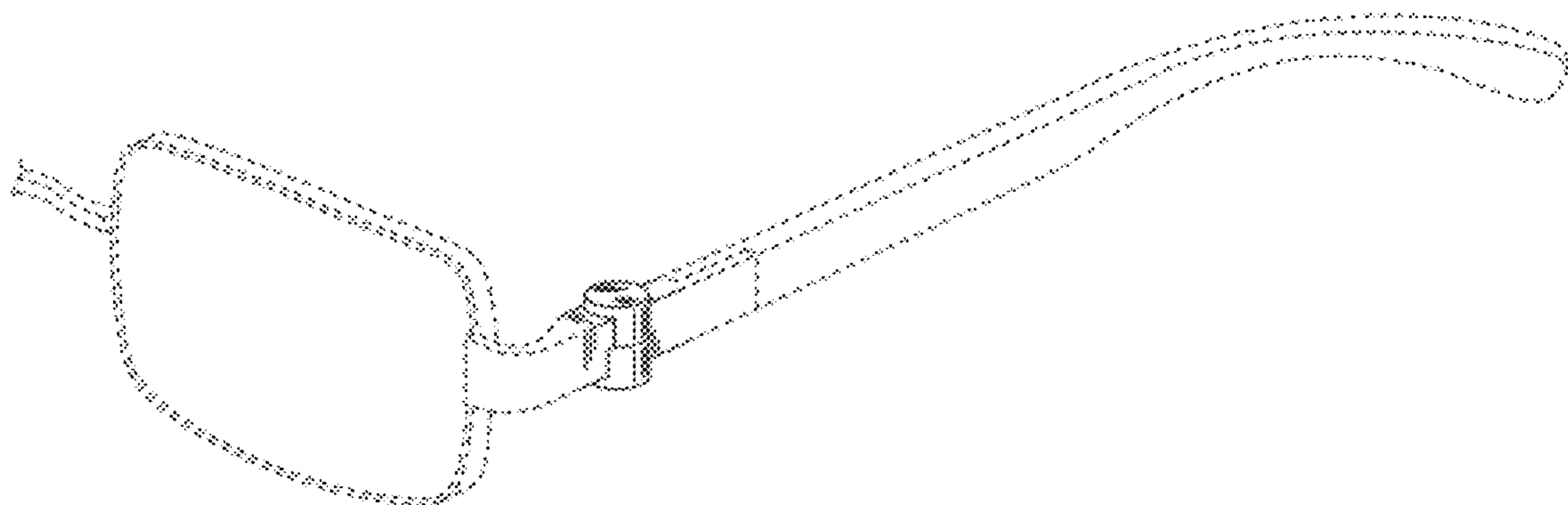
(57) **CLAIM**

I claim the ornamental design for a magnetic eyeglass hinge, as shown and described.

DESCRIPTION

FIG. 1 illustrates a perspective view of a left-side magnetic eyeglass hinge;
FIG. 2 illustrates a top view of the magnetic eyeglass hinge;
FIG. 3 illustrates a bottom view of the magnetic eyeglass hinge;
FIG. 4 illustrates an interior side view of the magnetic eyeglass hinge;
FIG. 5 illustrates an exterior side view of the magnetic eyeglass hinge;
FIG. 6 illustrates a rear view of the magnetic eyeglass hinge;
FIG. 7 illustrates a front view of the magnetic eyeglass hinge; and,
FIG. 8 illustrates a perspective view of a magnetic eyeglass hinge, mirroring the left-side magnetic eyeglass hinge.
The broken lines showing various internal and external eyeglass elements are for illustrative purposes only and form no part of the claimed design.
The left and right magnetic eyeglass hinges are shown separately for ease of illustration only.

1 Claim, 5 Drawing Sheets



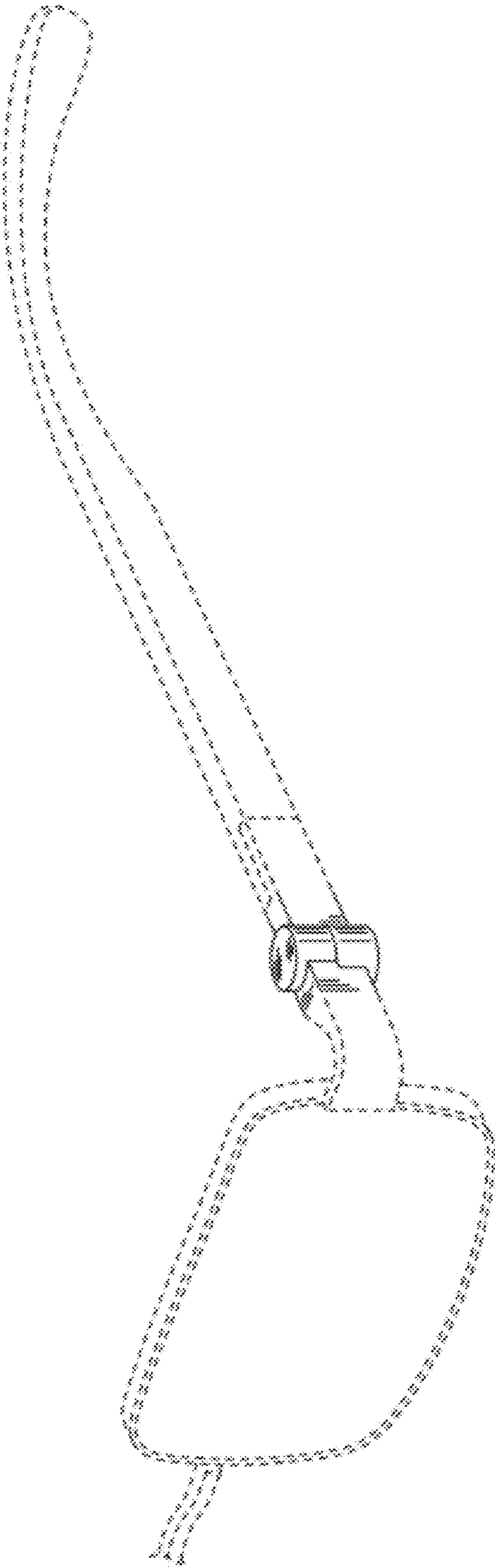


FIG. 1

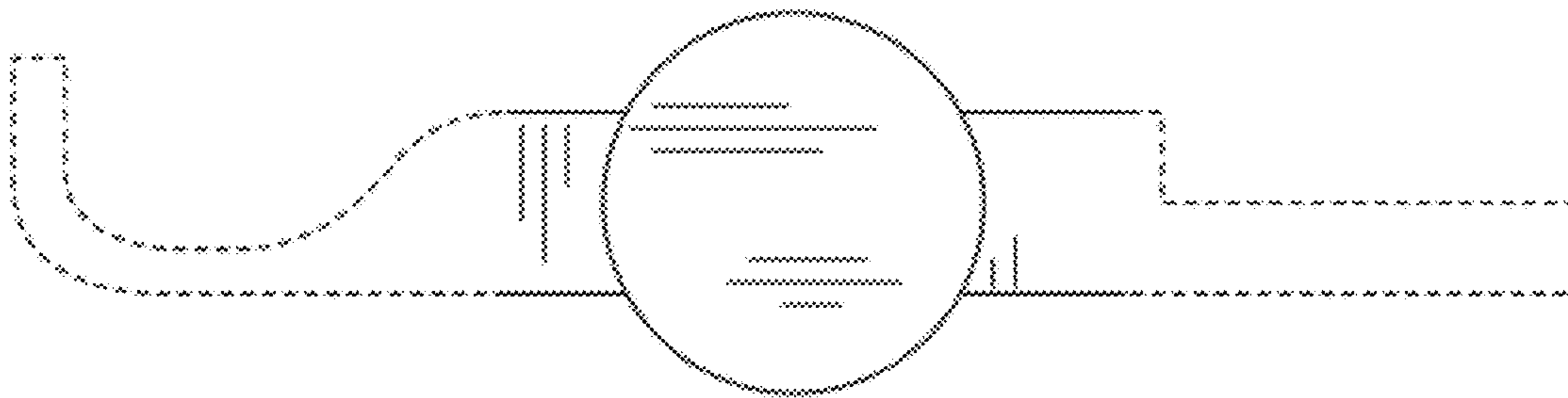


FIG. 2

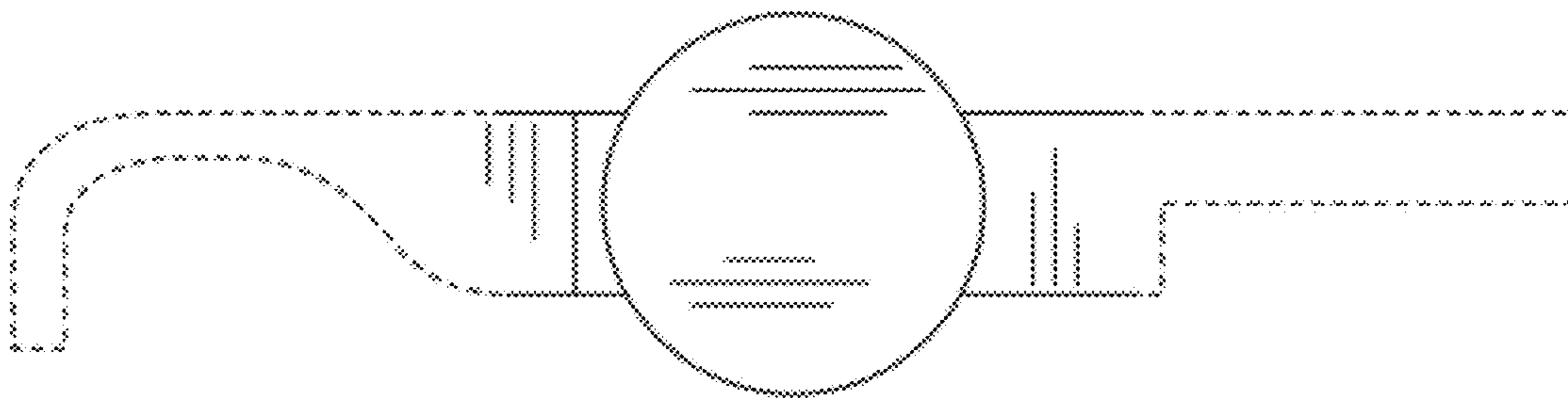


FIG. 3

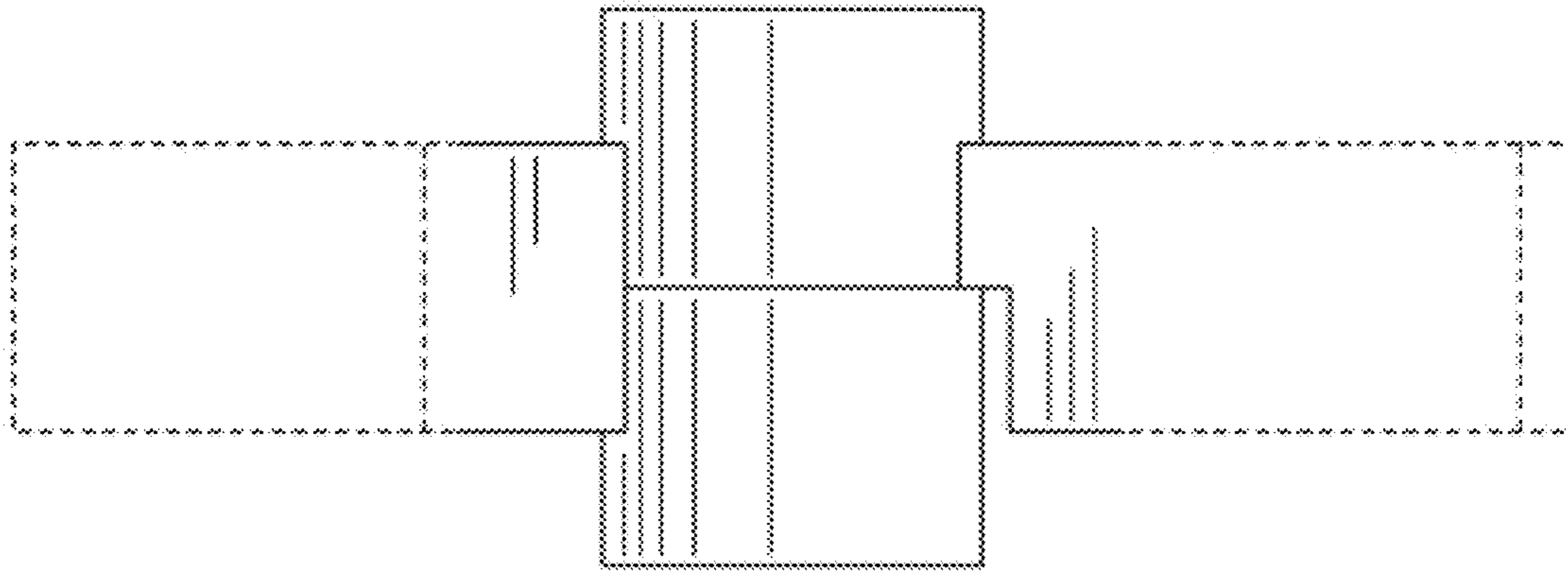


FIG. 4

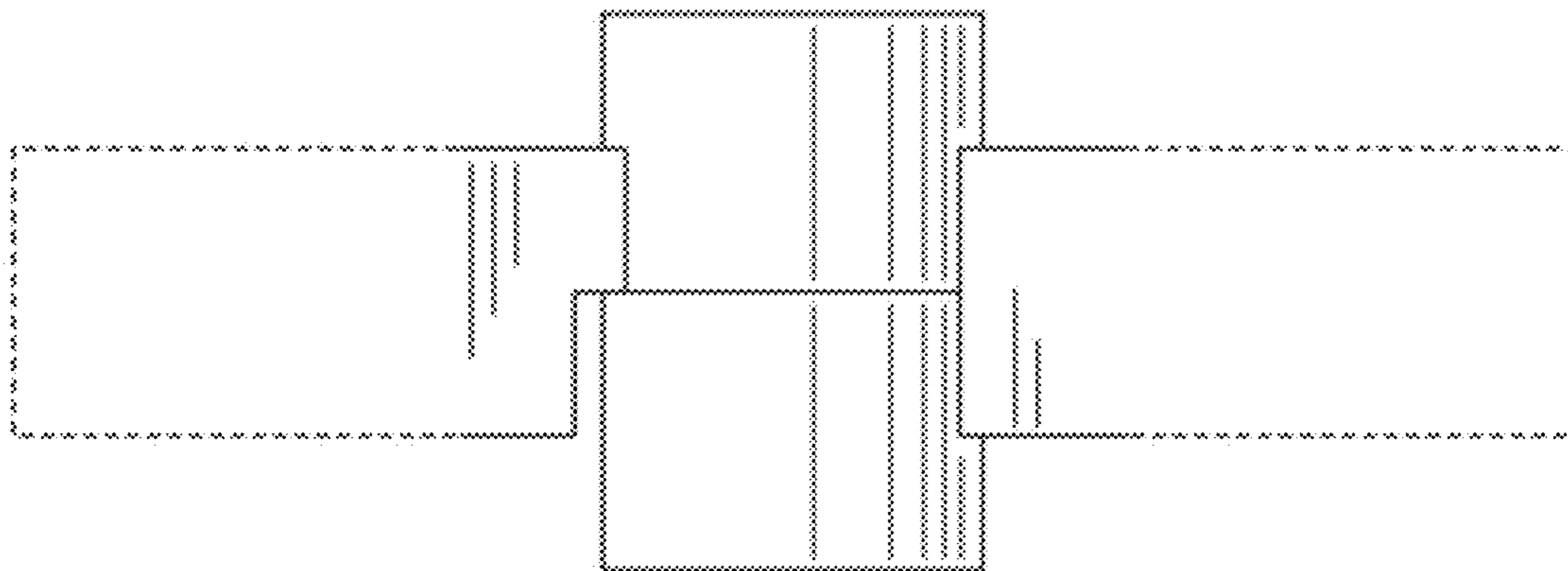


FIG. 5

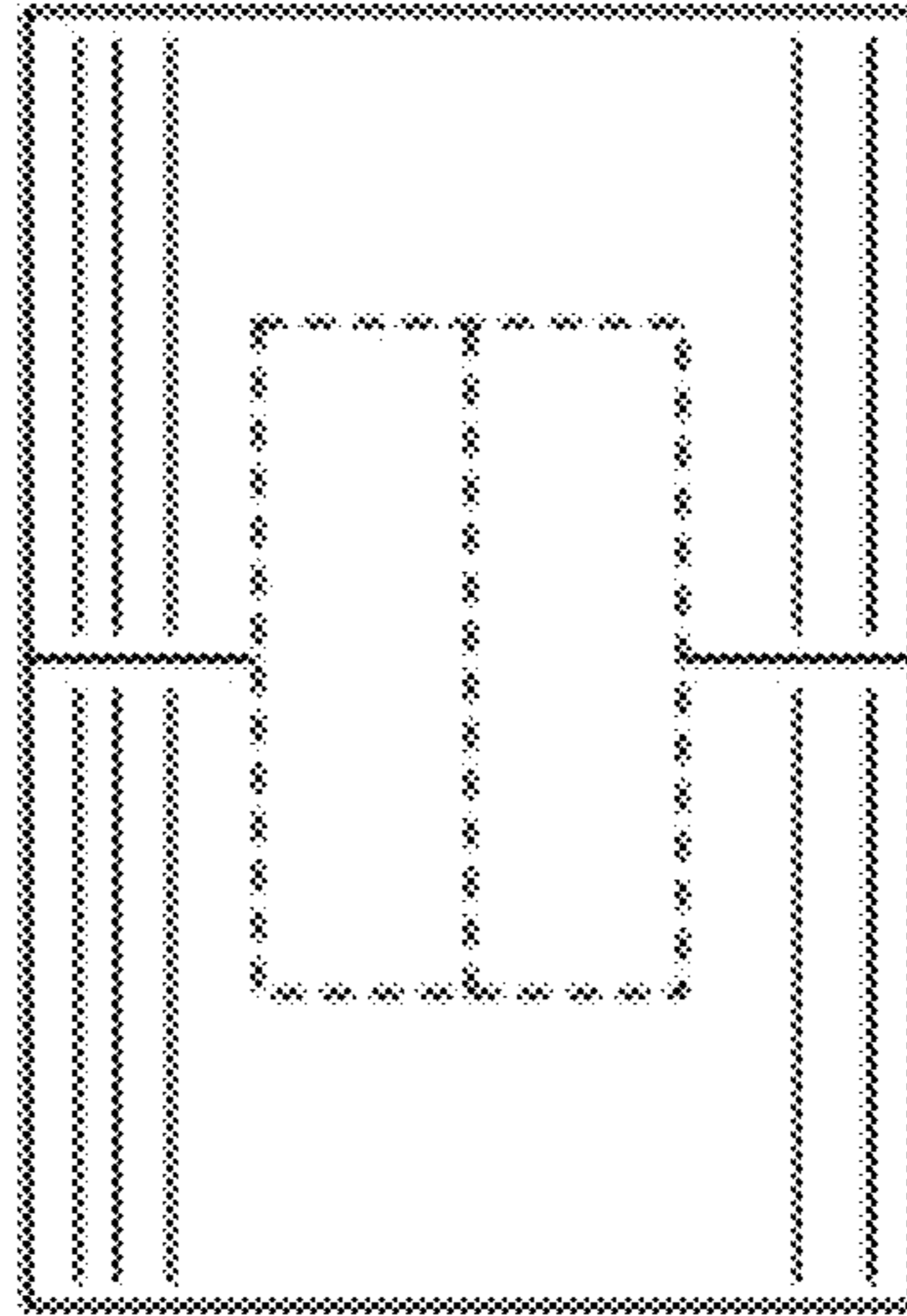


FIG. 6

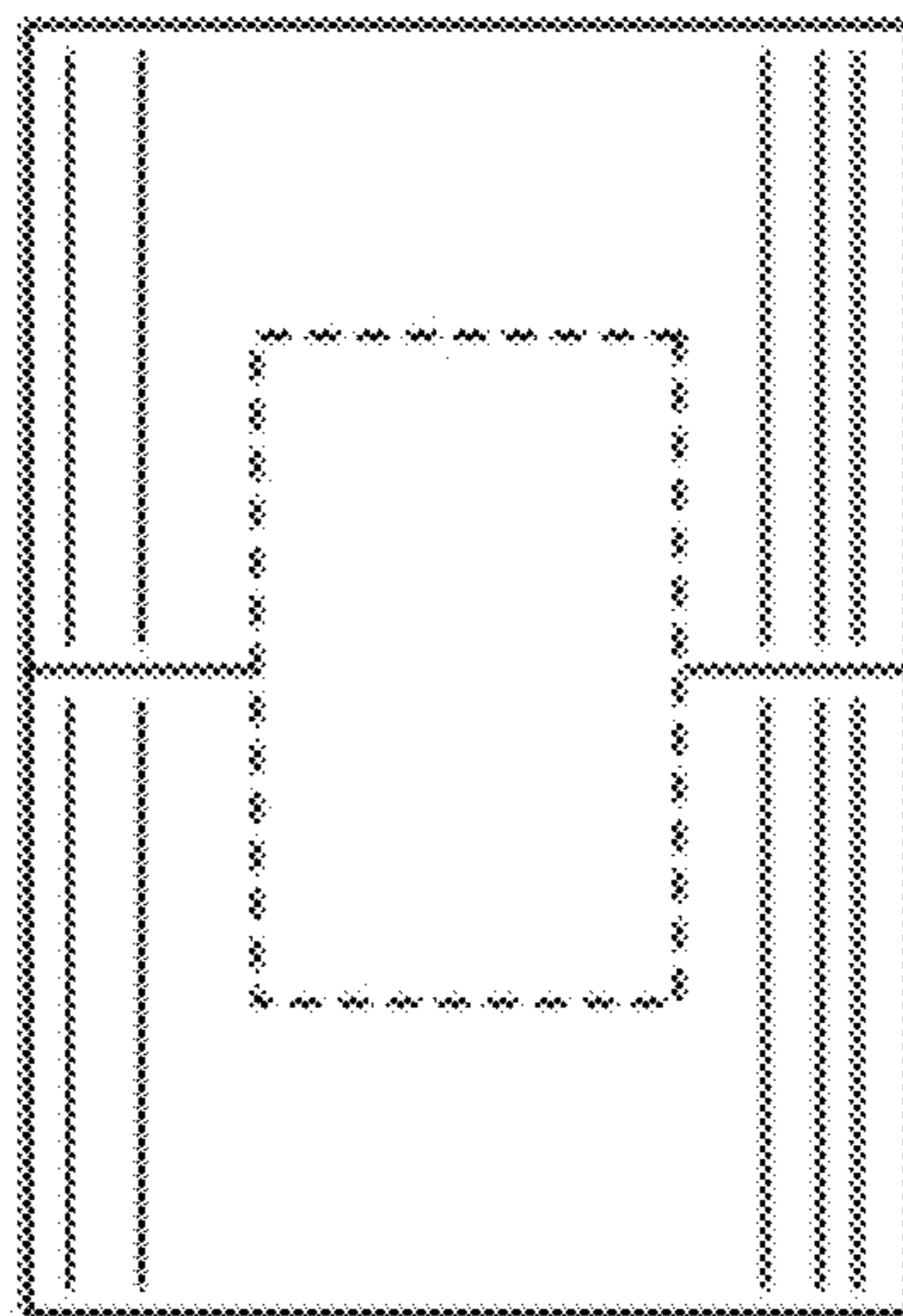


FIG. 7

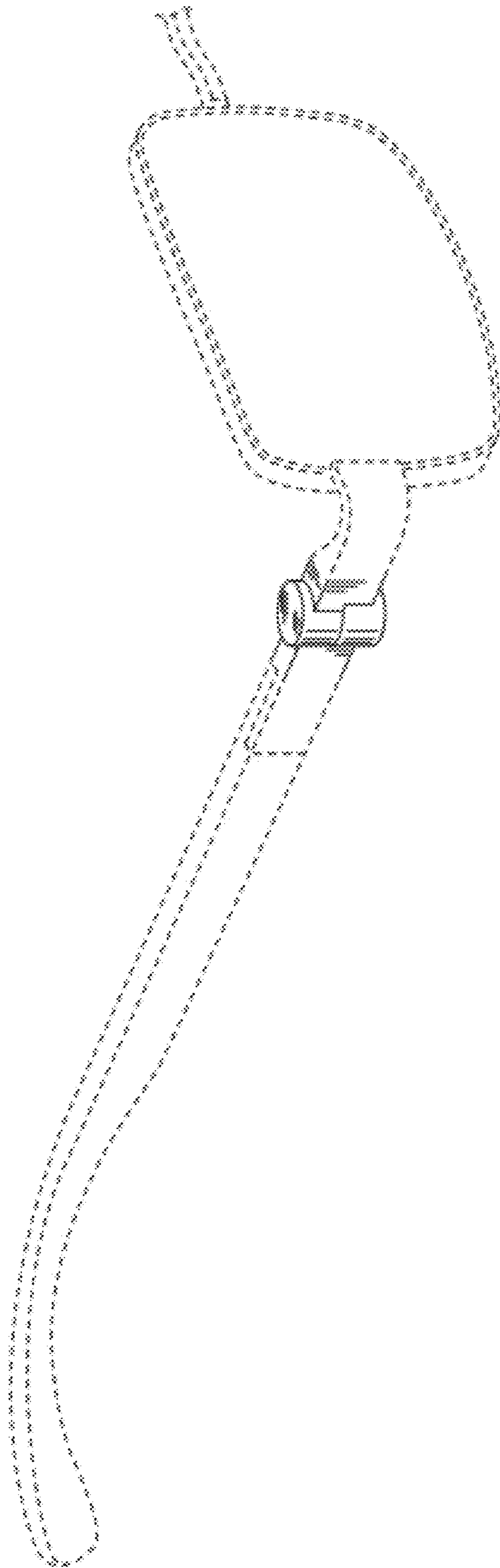


FIG. 8