



US00D658225S

(12) **United States Design Patent**
King

(10) **Patent No.:** **US D658,225 S**

(45) **Date of Patent:** **** Apr. 24, 2012**

(54) **ADJUSTABLE SPECTACLES**

(75) Inventor: **Christopher King**, First Turn (GB)

(73) Assignee: **Adlens Ltd** (GB)

(**) Term: **14 Years**

(21) Appl. No.: **29/388,050**

(22) Filed: **Mar. 23, 2011**

(30) **Foreign Application Priority Data**

Feb. 14, 2011 (EP) 1260707-001-002

(51) **LOC (9) Cl.** **16-06**

(52) **U.S. Cl.** **D16/300; D16/304; D16/306;**
D16/309

(58) **Field of Classification Search** D16/101,
D16/300-342, 900; D29/109-110; D24/110.2;
351/41, 44, 51-52, 62, 158, 92, 103-123,
351/140, 153, 45-46; 2/426-432, 447-449,
2/441, 434-437, 13, 15; D21/483, 659-661

See application file for complete search history.

(56) **References Cited**

U.S. PATENT DOCUMENTS

| | | | | |
|-----------|------|---------|--------------------|---------|
| 4,936,667 | A * | 6/1990 | Rohr et al. | 351/205 |
| 5,323,190 | A * | 6/1994 | Onufryk | 351/158 |
| 5,684,637 | A * | 11/1997 | Floyd | 359/666 |
| 6,386,702 | B1 * | 5/2002 | Maloncon | 351/45 |
| 6,659,606 | B1 * | 12/2003 | Duppstadt | 351/153 |
| 7,959,287 | B1 * | 6/2011 | Saffra | 351/204 |
| 8,002,403 | B2 * | 8/2011 | Silver et al. | 351/110 |

* cited by examiner

Primary Examiner — Raphael Barkai

(74) *Attorney, Agent, or Firm* — Cantor Colburn LLP

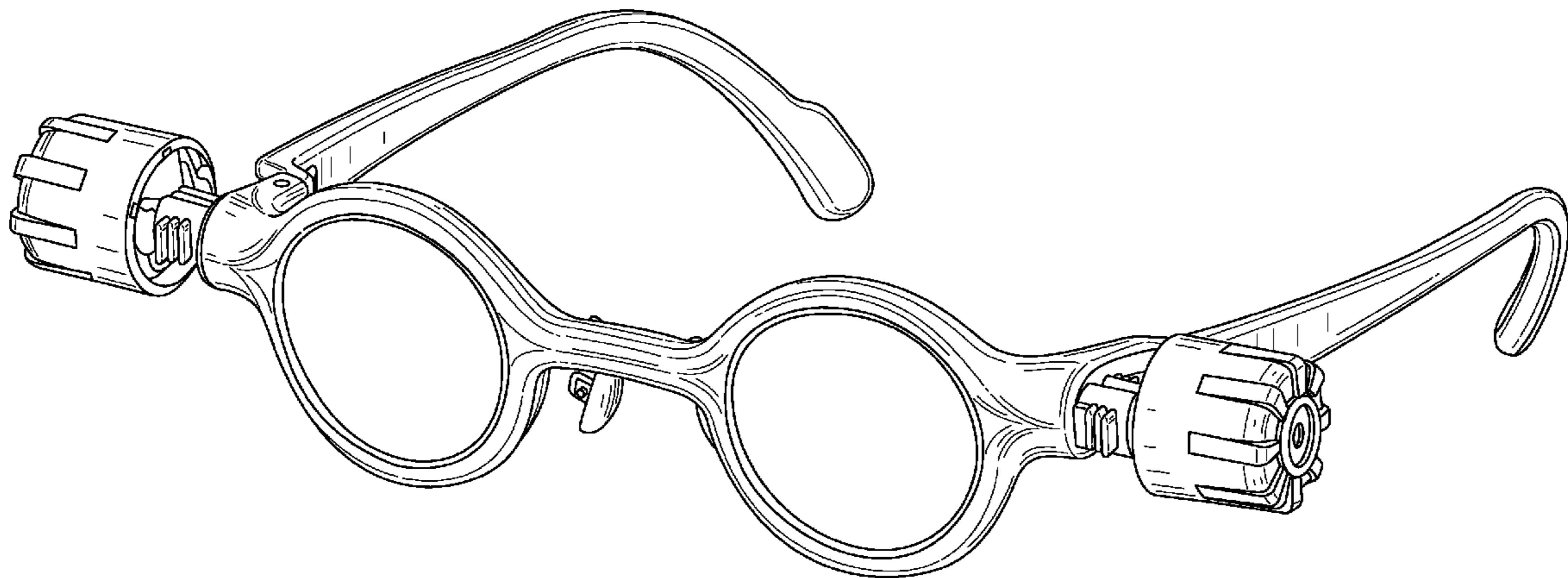
(57) **CLAIM**

I claim, the ornamental design for adjustable spectacles, as shown and described.

DESCRIPTION

FIG. 1 is a front perspective view of adjustable spectacles, showing my new design;
FIG. 2 is front elevation view thereof;
FIG. 3 is a side elevation view taken from the right of FIG. 2;
FIG. 4 is a side elevation view taken from the left of FIG. 2;
FIG. 5 is a rear elevation view thereof;
FIG. 6 is a top plan view thereof; and,
FIG. 7 is a bottom plan view thereof.

1 Claim, 7 Drawing Sheets



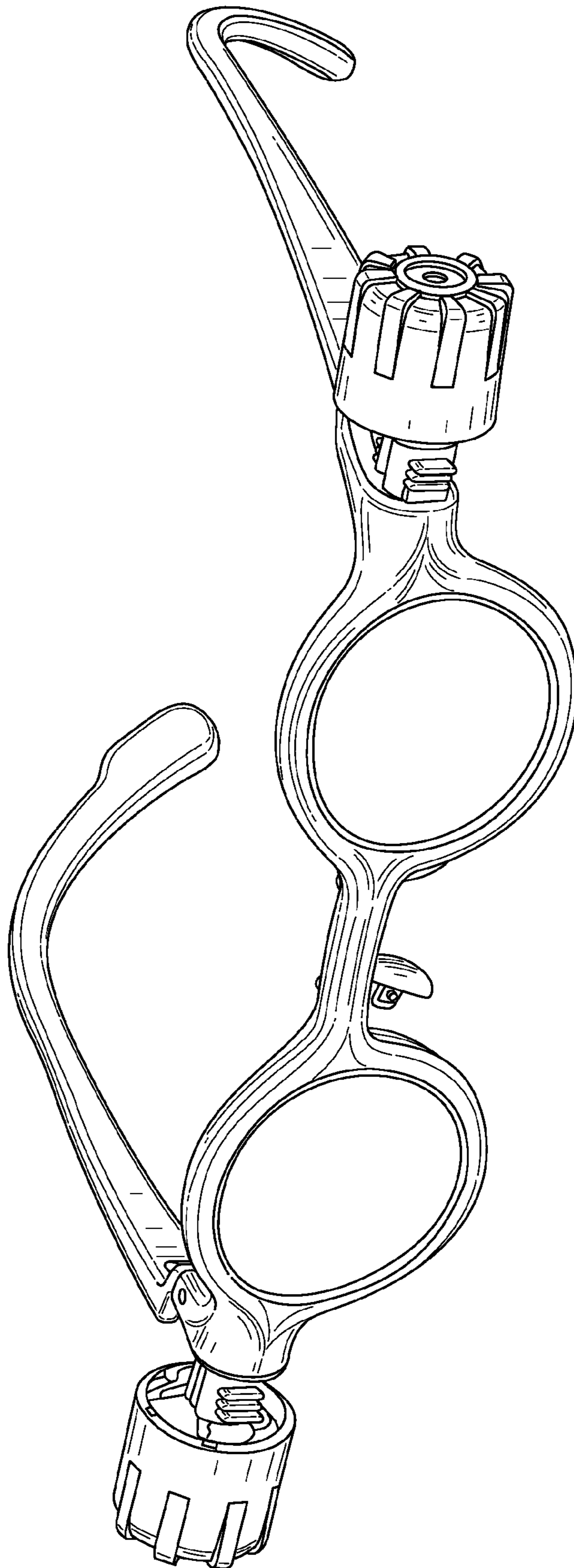


FIG. 1

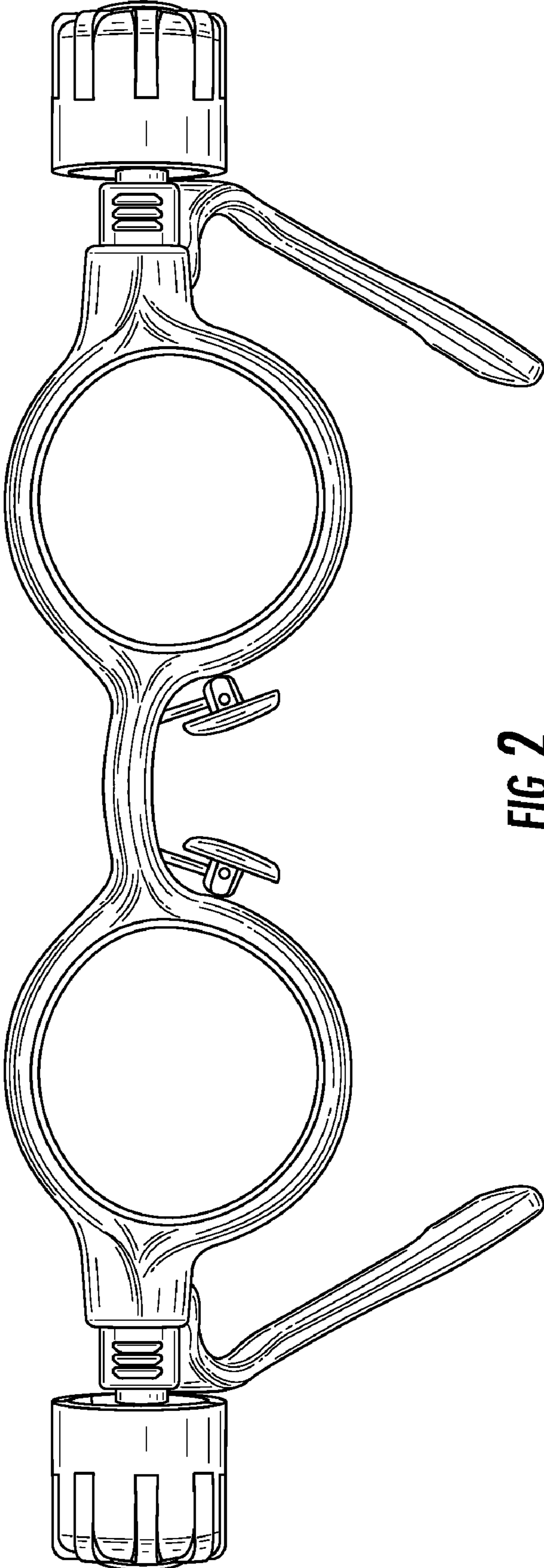


FIG. 2

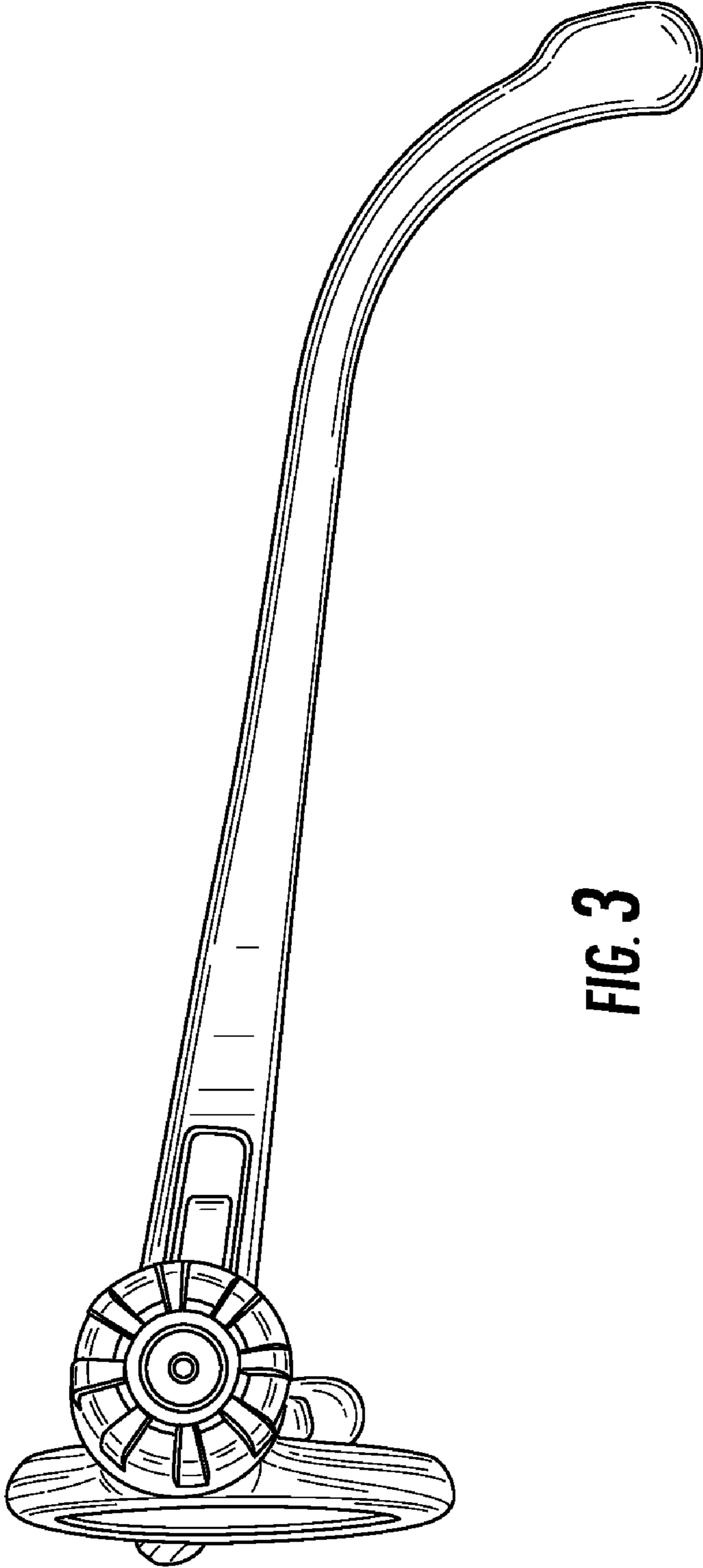


FIG. 3

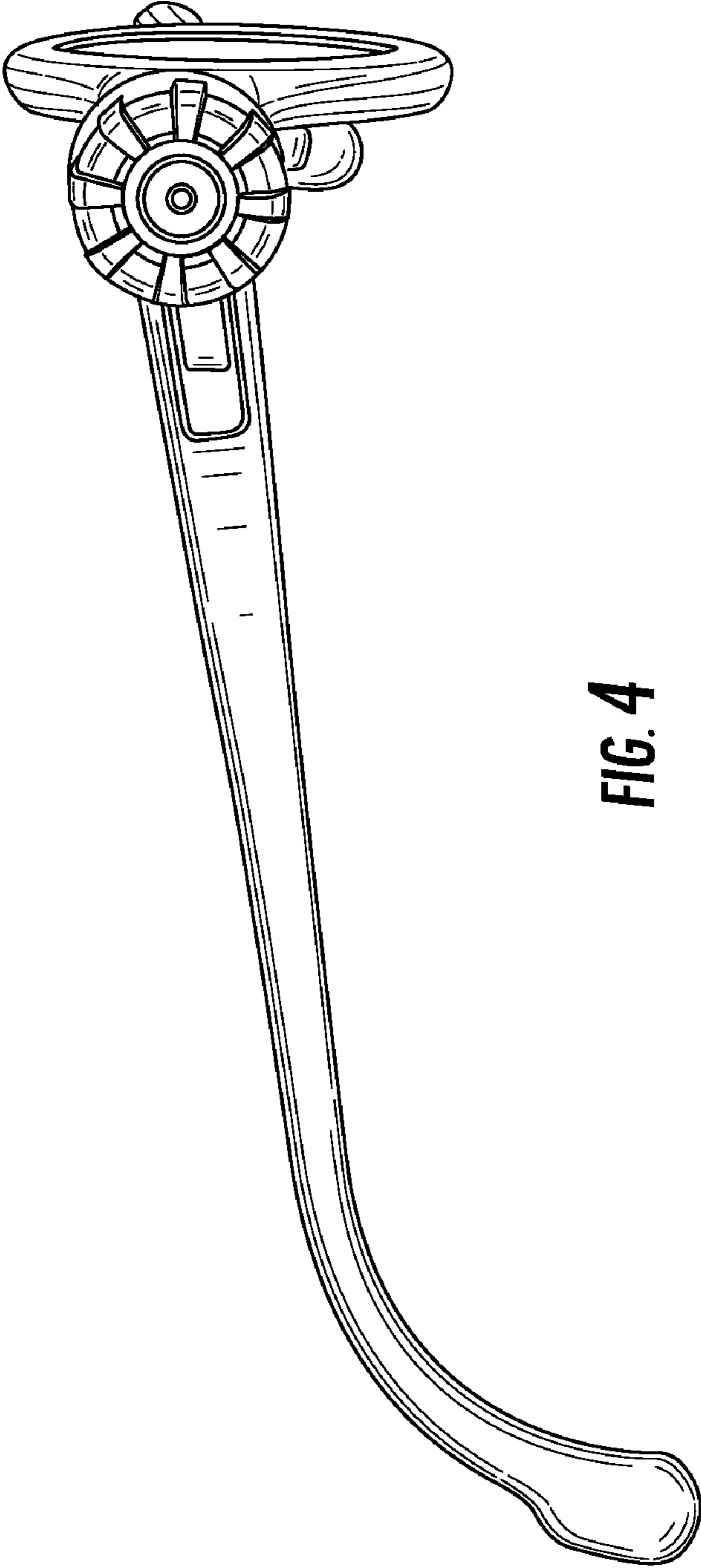


FIG. 4

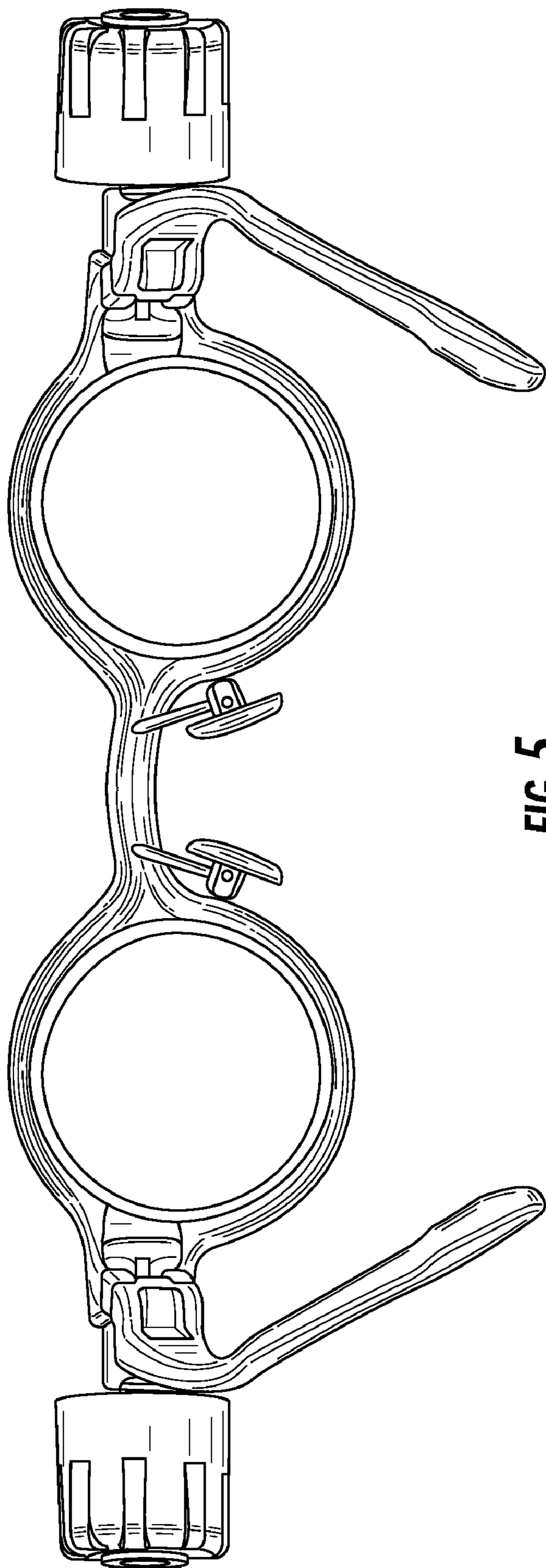


FIG. 5

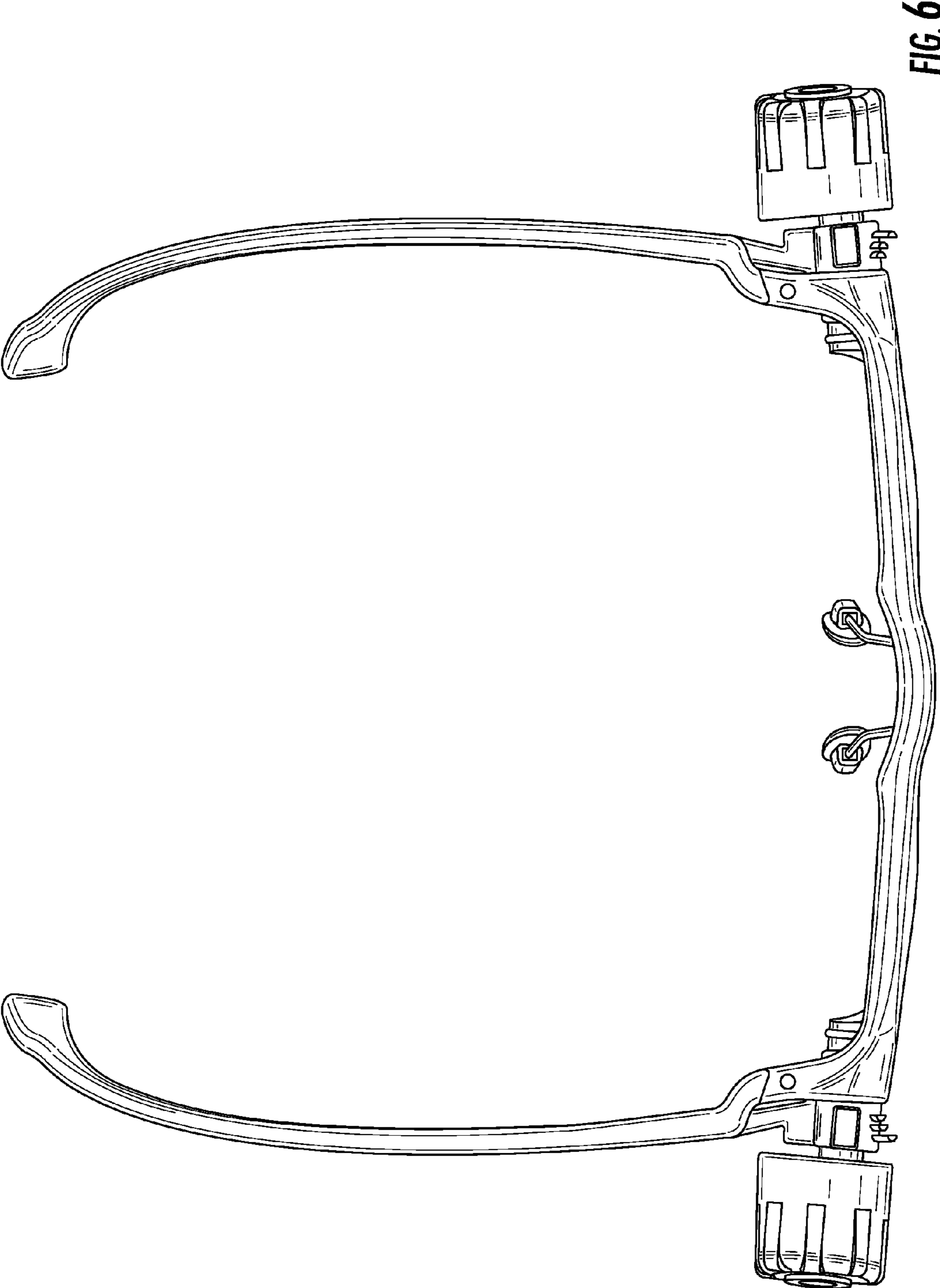


FIG. 6

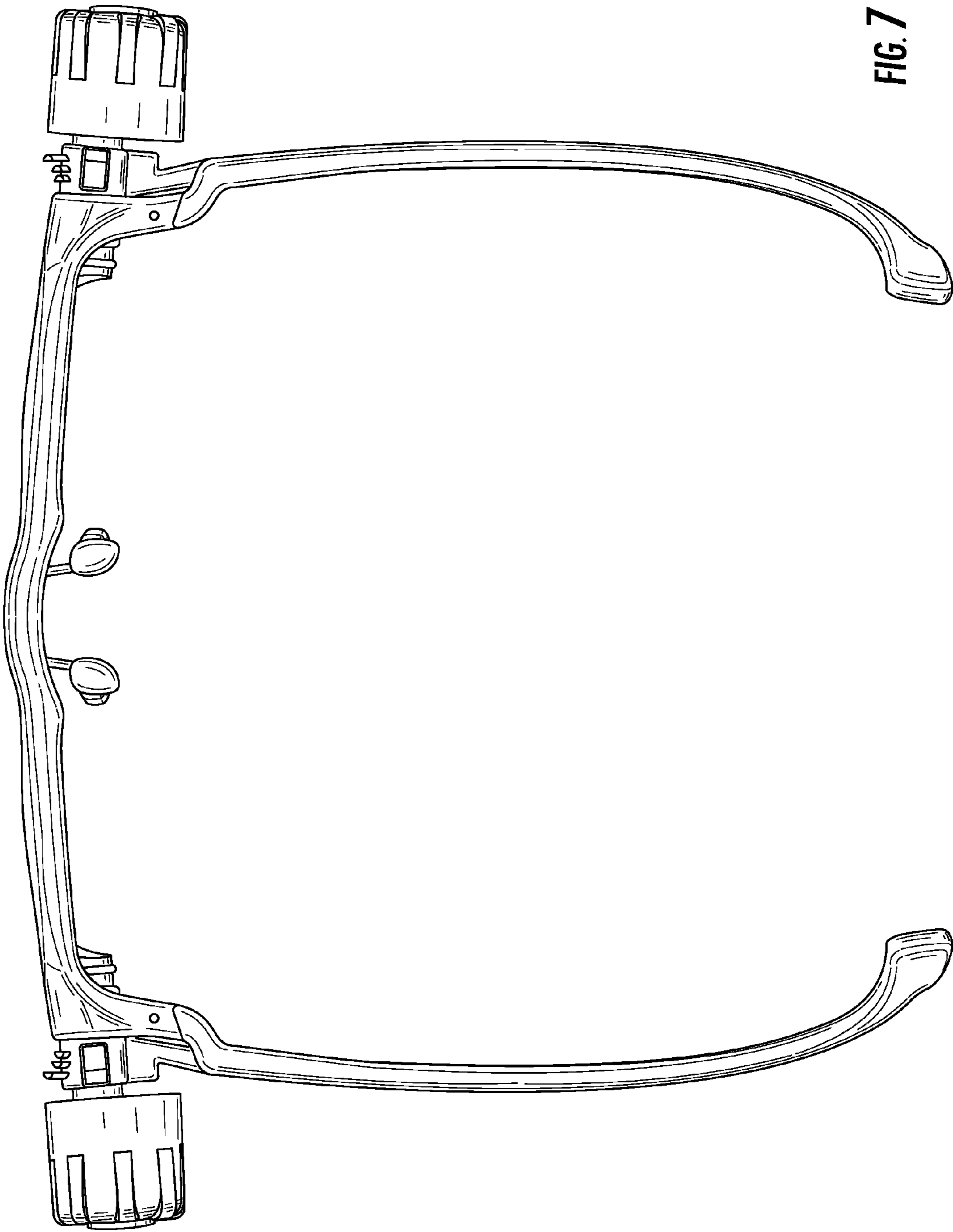


FIG. 7