



US00D658224S

(12) **United States Design Patent**
Kawabe et al.

(10) **Patent No.:** **US D658,224 S**

(45) **Date of Patent:** **** Apr. 24, 2012**

(54) **PROJECTOR**

(75) Inventors: **Genta Kawabe**, Matsumoto (JP); **Saeko Inoue**, Matsumoto (JP); **Yasutomo Takahashi**, Matsumoto (JP); **Mika Koyama**, Matsumoto (JP); **Yukihiro Horiko**, Matsumoto (JP)

(73) Assignee: **Seiko Epson Corporation**, Tokyo (JP)

(**) Term: **14 Years**

(21) Appl. No.: **29/381,501**

(22) Filed: **Dec. 20, 2010**

(30) **Foreign Application Priority Data**

Sep. 16, 2010 (JP) 2010-022307

(51) **LOC (9) Cl.** **16-05**

(52) **U.S. Cl.** **D16/235; D16/229**

(58) **Field of Classification Search** D16/221, D16/225, 229, 232, 235, 203, 208; D21/514; 353/119, 122, 70; 248/188.1, 188.2, 188.3, 248/160-161, 652, 664, 665, 669

See application file for complete search history.

(56) **References Cited**

U.S. PATENT DOCUMENTS

6,715,890	B2 *	4/2004	Huang et al.	353/119
6,789,904	B2 *	9/2004	Chang	353/119
7,111,948	B2 *	9/2006	Lee et al.	353/119
7,156,526	B2 *	1/2007	Tanaka	353/119
7,318,570	B2 *	1/2008	Lin et al.	248/188.2

7,533,857	B2 *	5/2009	Chung et al.	248/188.2
7,850,316	B2 *	12/2010	Liu et al.	353/119
D647,120	S *	10/2011	Kawabe et al.	D16/230
D647,121	S *	10/2011	Kawabe et al.	D16/230
2006/0164612	A1 *	7/2006	Chen et al.	353/119
2007/0229781	A1 *	10/2007	Yin et al.	353/119
2009/0244500	A1 *	10/2009	Takara	353/119
2011/0235004	A1 *	9/2011	Koyama	353/119
2011/0310360	A1 *	12/2011	Hsieh	353/70

* cited by examiner

Primary Examiner — Wan Laymon

(74) *Attorney, Agent, or Firm* — Oliff & Berridge, PLC

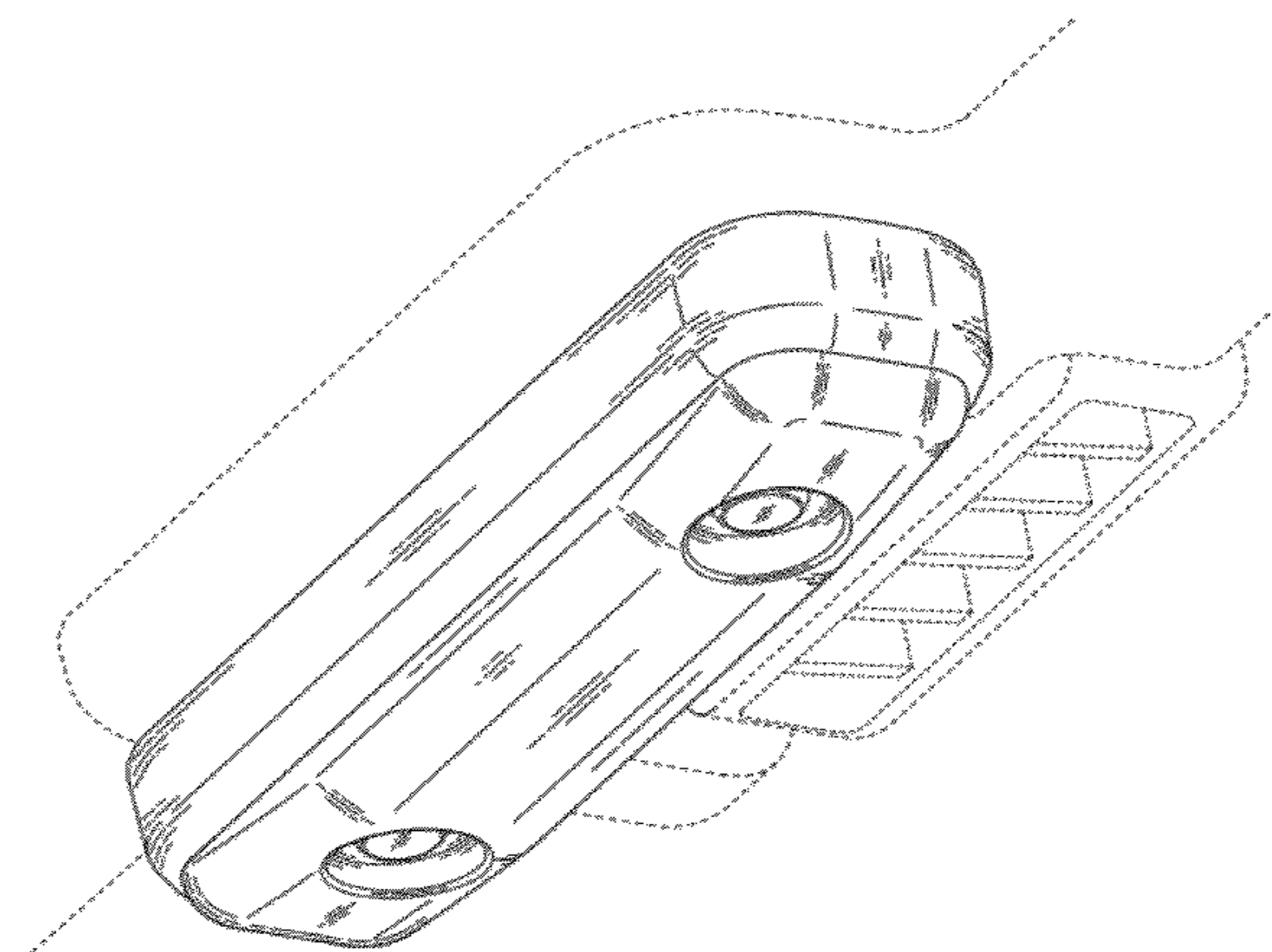
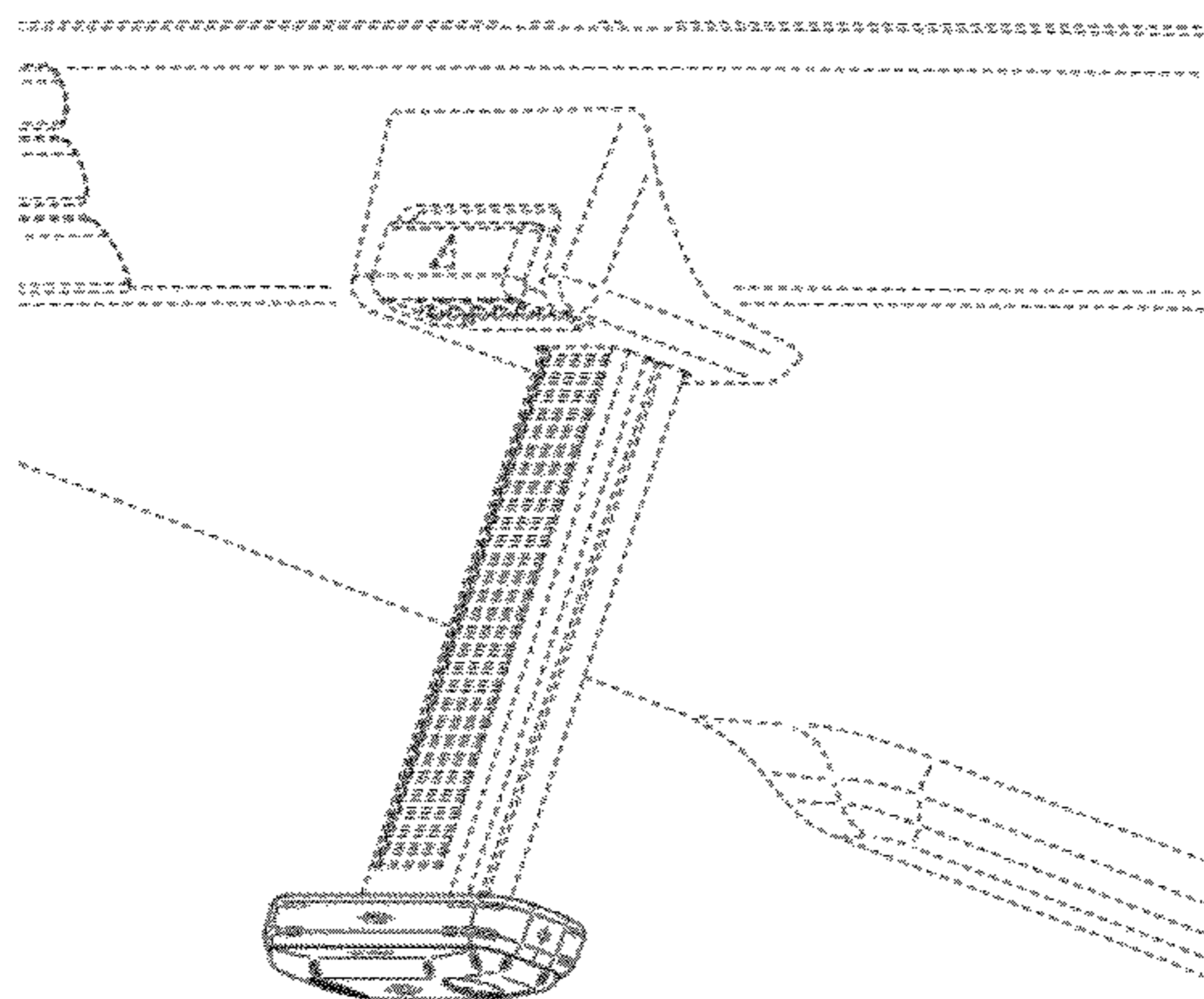
(57) **CLAIM**

The ornamental design for a projector, as shown and described.

DESCRIPTION

FIG. 1 is a rear, bottom and left-side view of a projector; FIG. 2 is a front, bottom and right-side view of an angle/height adjuster of the projector; FIG. 3 is a front view of the projector; FIG. 4 is rear view thereof; FIG. 5 is a left-side view thereof; FIG. 6 is a right-side view thereof; FIG. 7 is a top view thereof; FIG. 8 is a bottom view thereof; FIG. 9 is an enlarged front view of the angle/height adjuster of the projector; and, FIG. 10 is an enlarged rear, bottom and left-side perspective view of the angle/height adjuster of the projector. The broken lines shown in the figures represent portions of the projector that form no part of the claimed design.

1 Claim, 7 Drawing Sheets



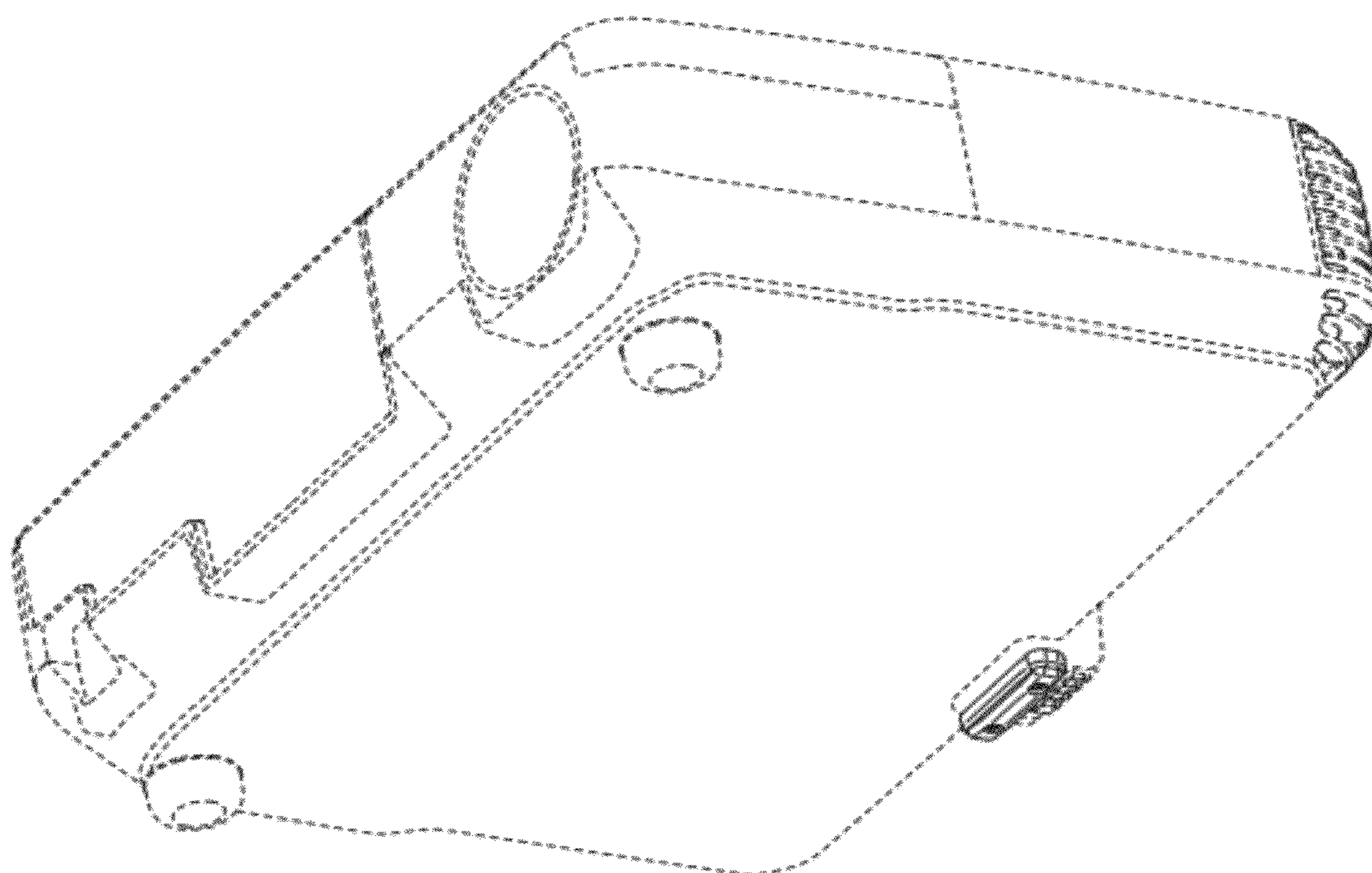


FIG. 1

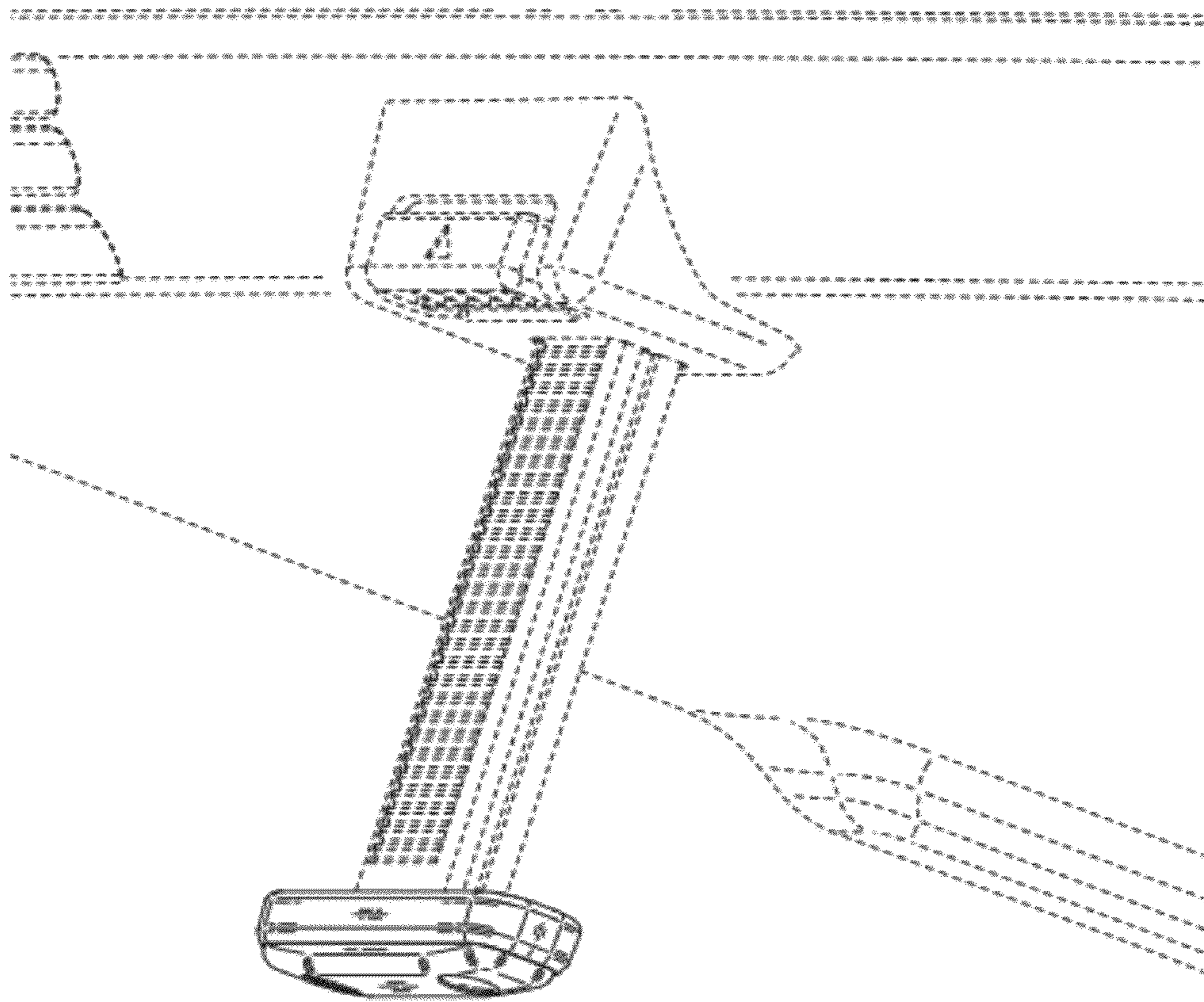


FIG. 2

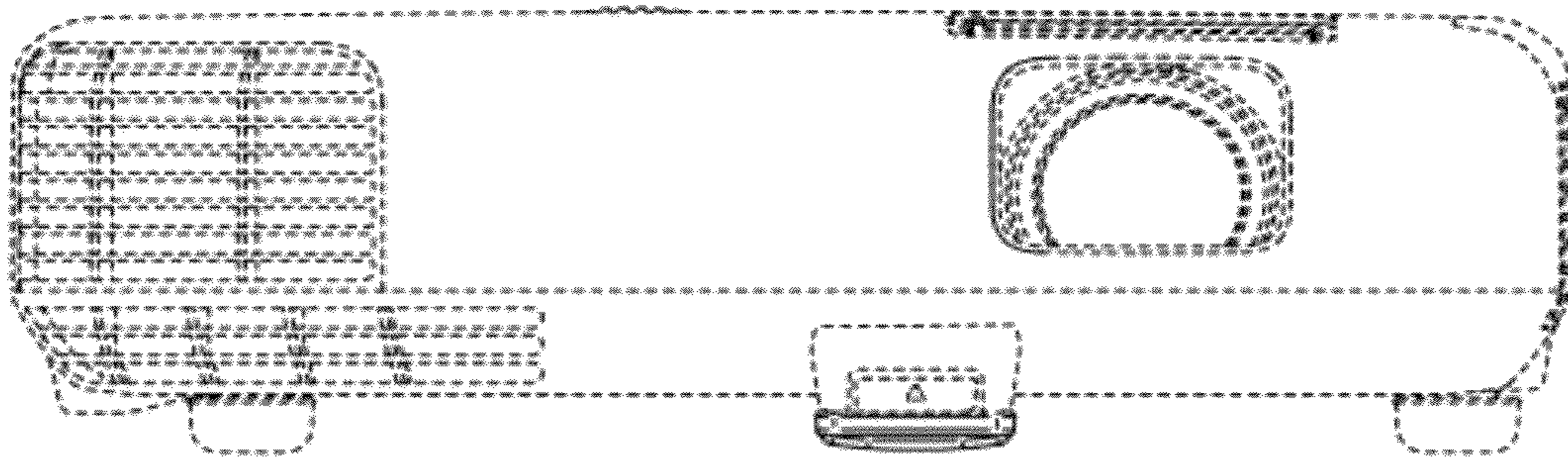


FIG. 3

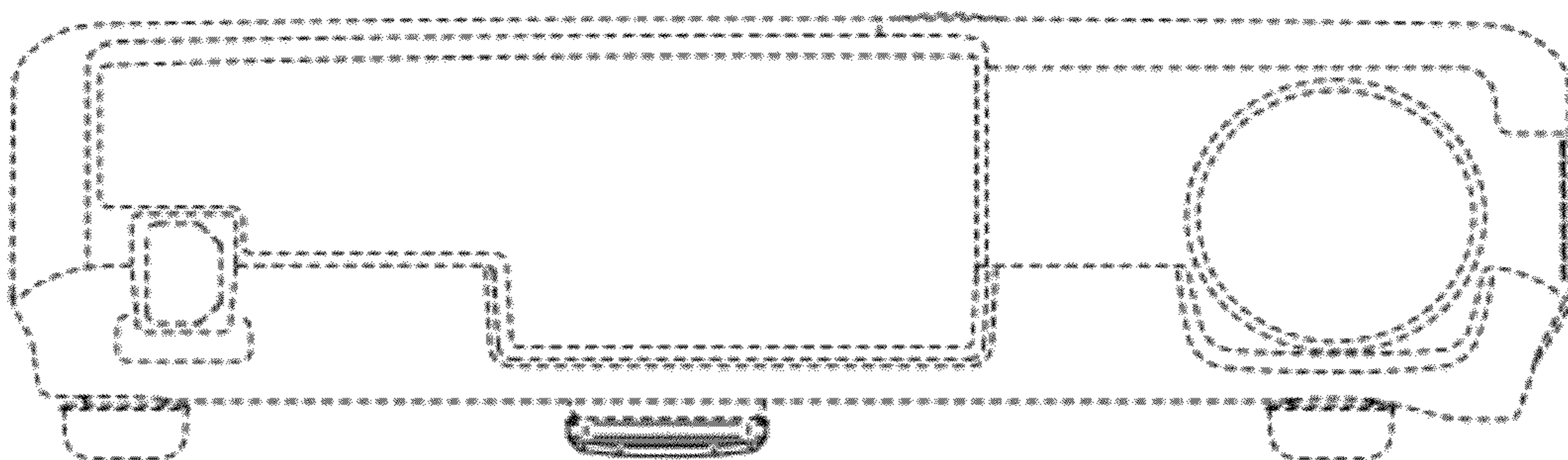


FIG. 4

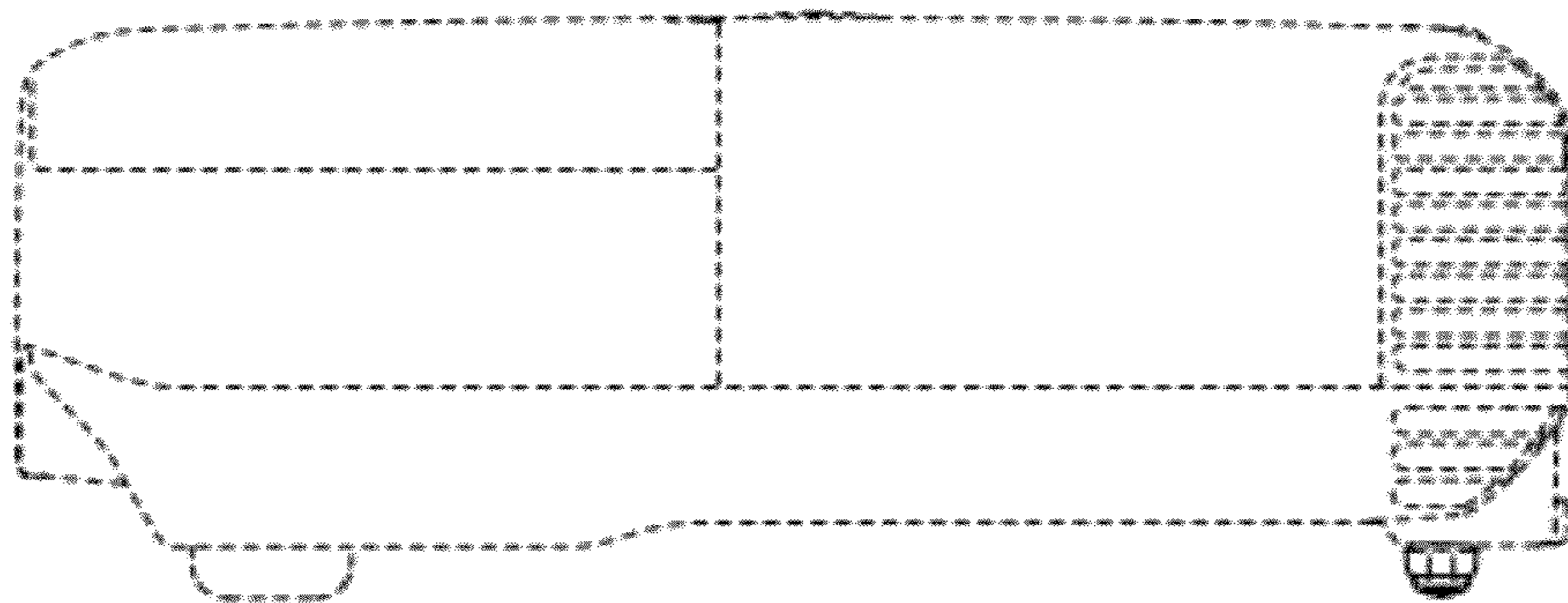


FIG. 5

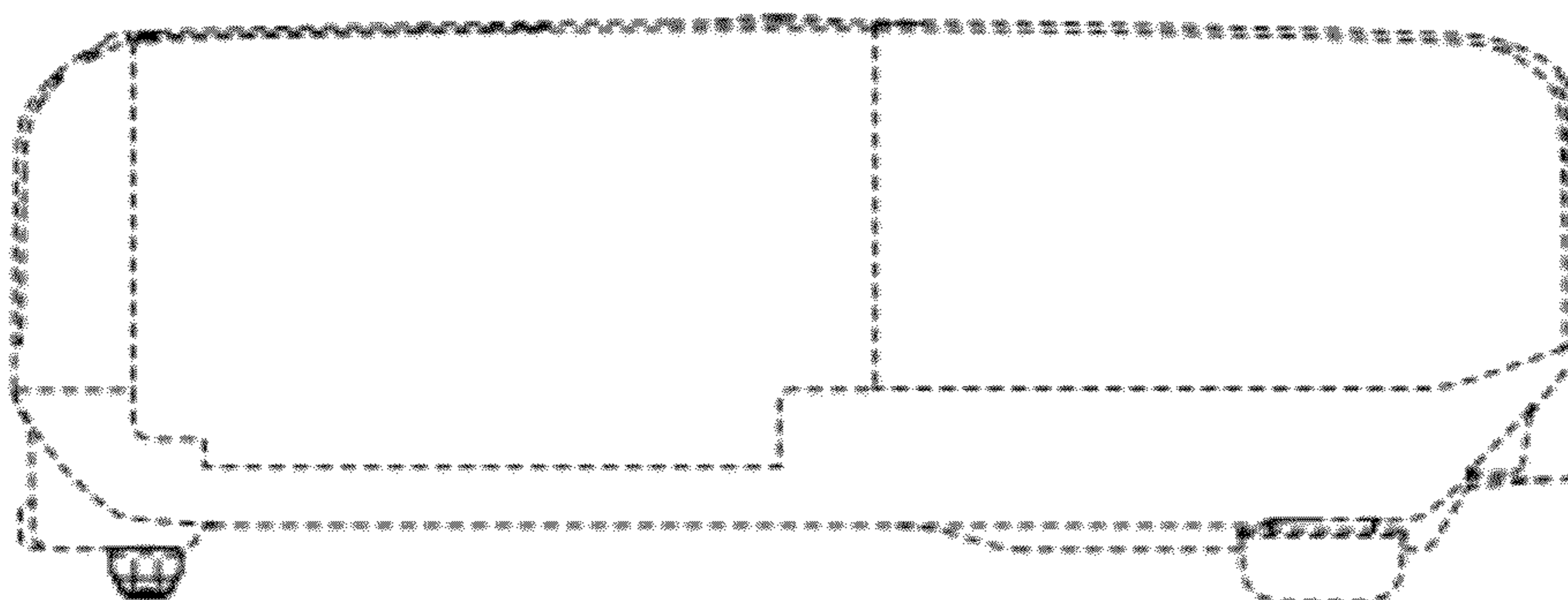


FIG. 6

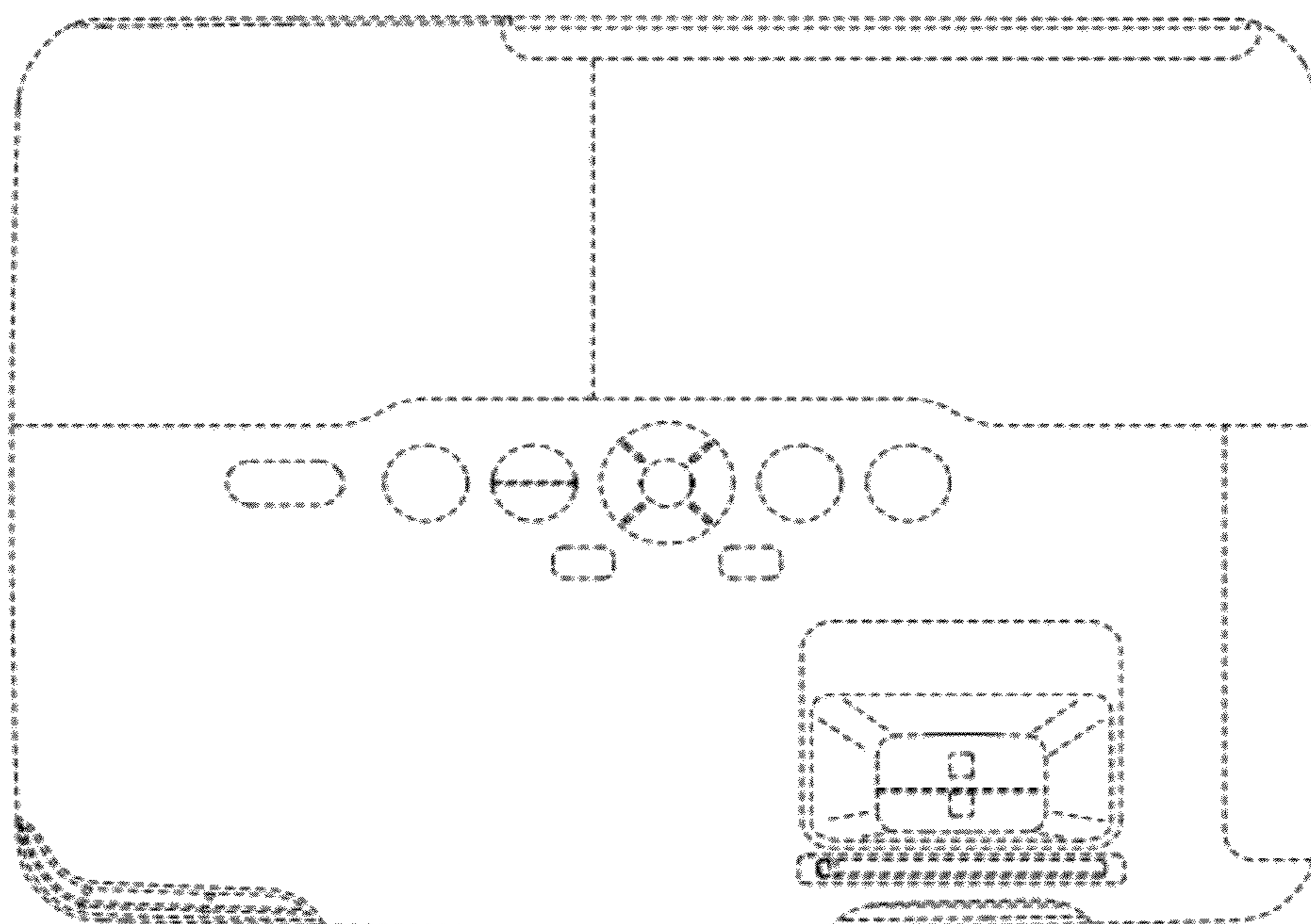


FIG. 7

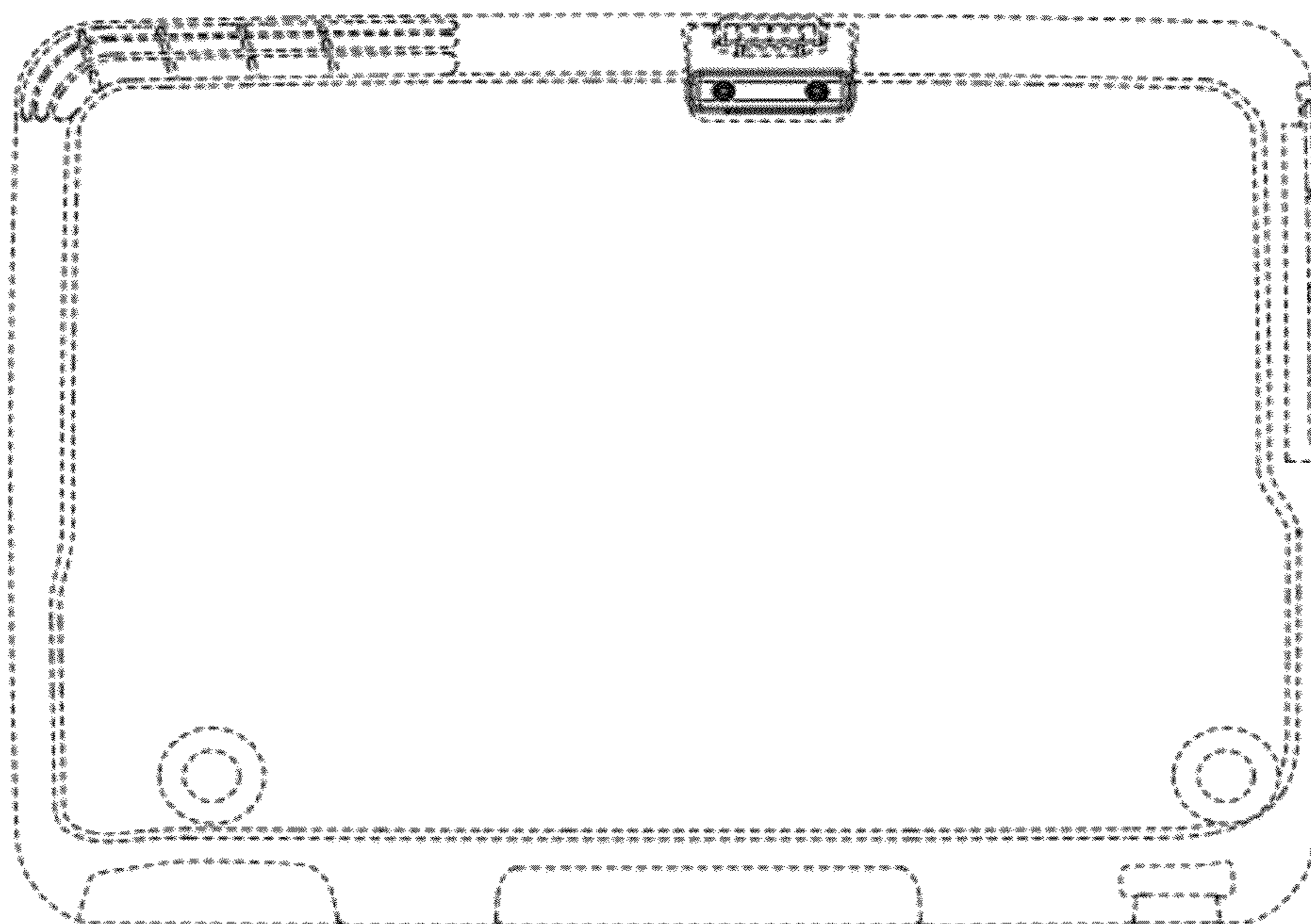


FIG. 8

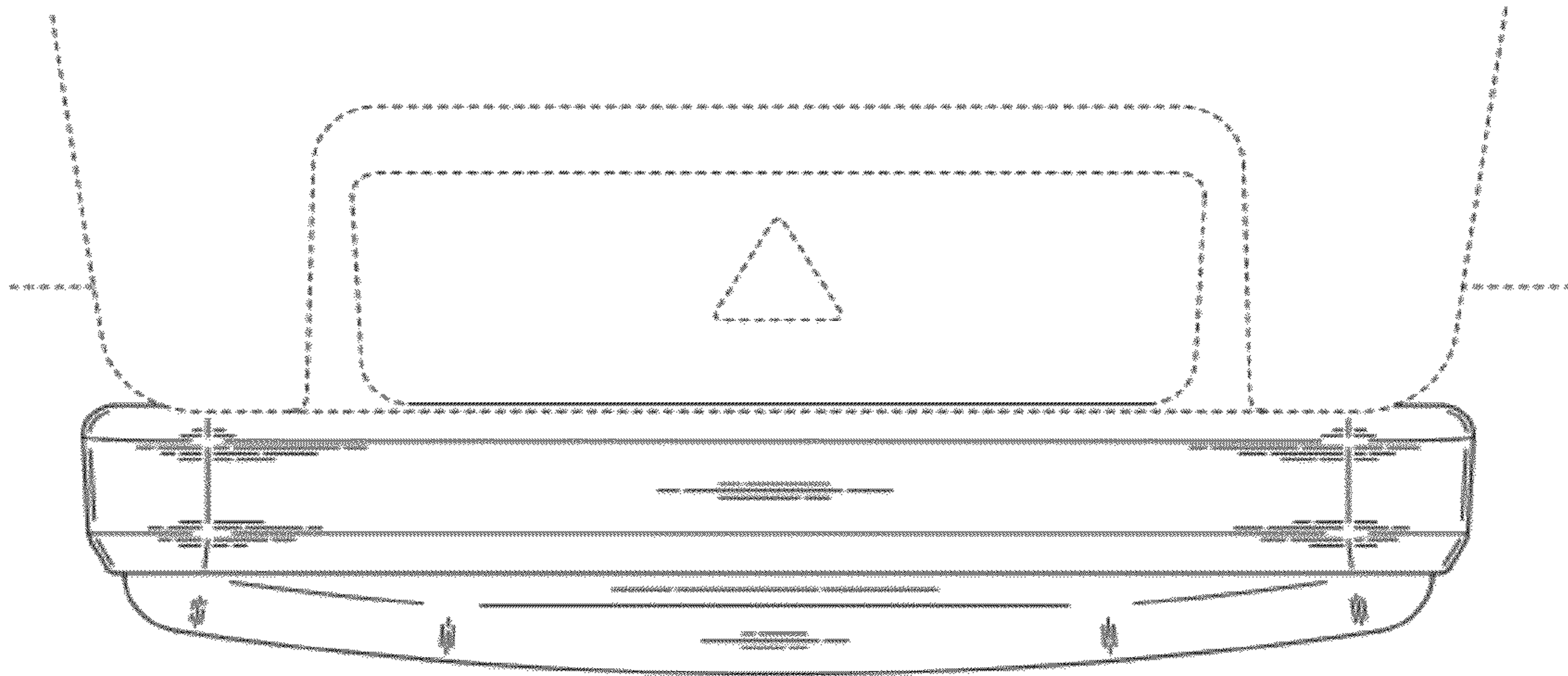


FIG. 9

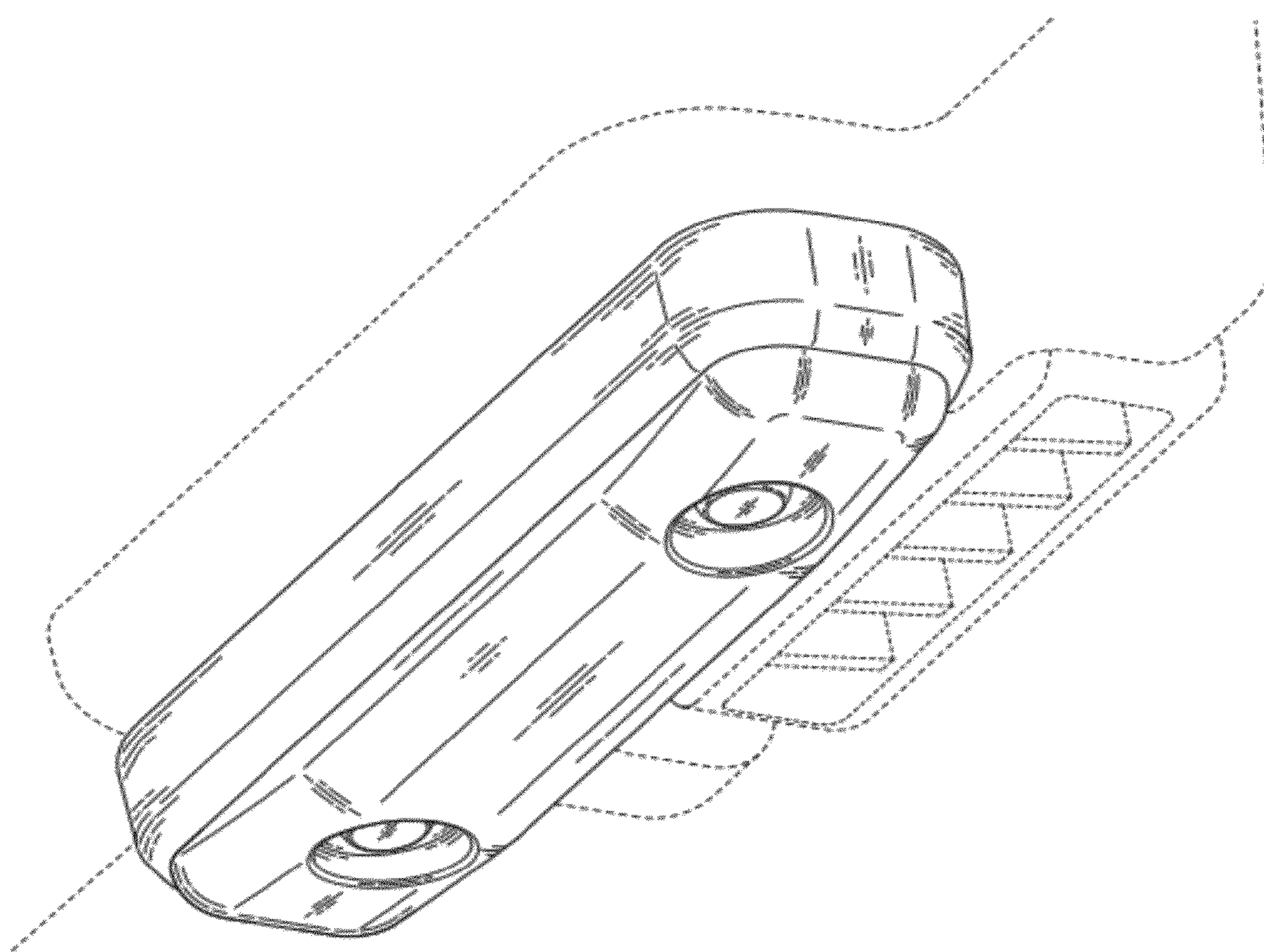


FIG. 10