



US00D658222S

(12) **United States Design Patent**
Elrod et al.

(10) **Patent No.:** **US D658,222 S**
(45) **Date of Patent:** **** Apr. 24, 2012**

(54) **THERMAL IMAGER**

(75) Inventors: **Jeffrey Elrod**, Seattle, WA (US); **Betsy Brest**, Boulder Creek, CA (US); **Michael E. Loukusa**, Buffalo, MN (US); **Justin M. Sheard**, Rogers, MN (US)

(73) Assignee: **Fluke Corporation**, Everett, WA (US)

(**) Term: **14 Years**

(21) Appl. No.: **29/388,064**

(22) Filed: **Mar. 23, 2011**

(51) **LOC (9) Cl.** **16-01**

(52) **U.S. Cl.** **D16/206**

(58) **Field of Classification Search** D16/130,
D16/200, 201, 203, 206, 208, 218, 243; 250/330,
250/332, 333; 348/373-376; 396/419
See application file for complete search history.

(56) **References Cited**

U.S. PATENT DOCUMENTS

D466,540 S *	12/2002	Lannstedt et al.	D16/218
D472,911 S *	4/2003	Bielefeld	D16/130
D487,577 S	3/2004	Sheard et al.	
D493,733 S *	8/2004	Chen	D10/57
D525,640 S	7/2006	Bloch et al.	
7,236,243 B2 *	6/2007	Beecroft et al.	356/328
7,250,603 B1 *	7/2007	Nugent	250/330
D585,927 S	2/2009	Sheard et al.	
D599,392 S *	9/2009	Hamrelius	D16/206

* cited by examiner

Primary Examiner — Adir Aronovich

(74) *Attorney, Agent, or Firm* — Fredrikson & Byron, P.A.

(57) **CLAIM**

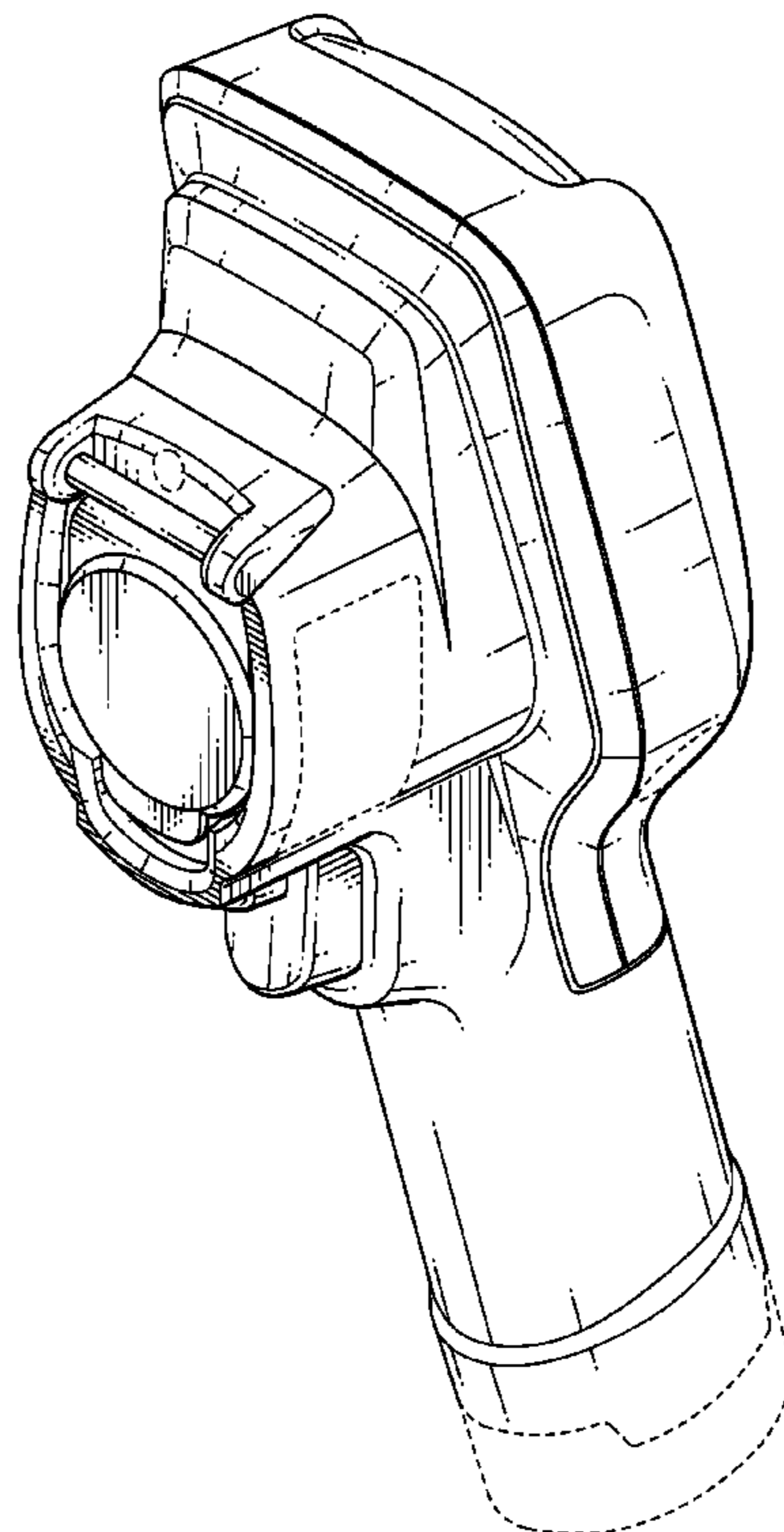
The ornamental design for a thermal imager, as shown and described.

DESCRIPTION

FIG. 1 is a front perspective view of the thermal imager of our design;
 FIG. 2 is a front elevation view thereof;
 FIG. 3 is a rear elevation view thereof;
 FIG. 4 is a right-side elevation view thereof;
 FIG. 5 is a left-side elevation view thereof;
 FIG. 6 is a top plan view thereof;
 FIG. 7 is a bottom plan view thereof;
 FIG. 8 is a front perspective view of the thermal imager of an alternate embodiment of our design;
 FIG. 9 is a front elevation view thereof;
 FIG. 10 is a rear elevation view thereof;
 FIG. 11 is a right-side elevation view thereof;
 FIG. 12 is a left-side elevation view thereof;
 FIG. 13 is a top plan view thereof; and,
 FIG. 14 is a bottom plan view thereof.

The portions of the thermal imager in broken lines are shown for illustrative purposes only and form no part of the claimed design. The thermal imager shown in FIGS. 8-12 is lined to indicate contrasting colors.

1 Claim, 10 Drawing Sheets



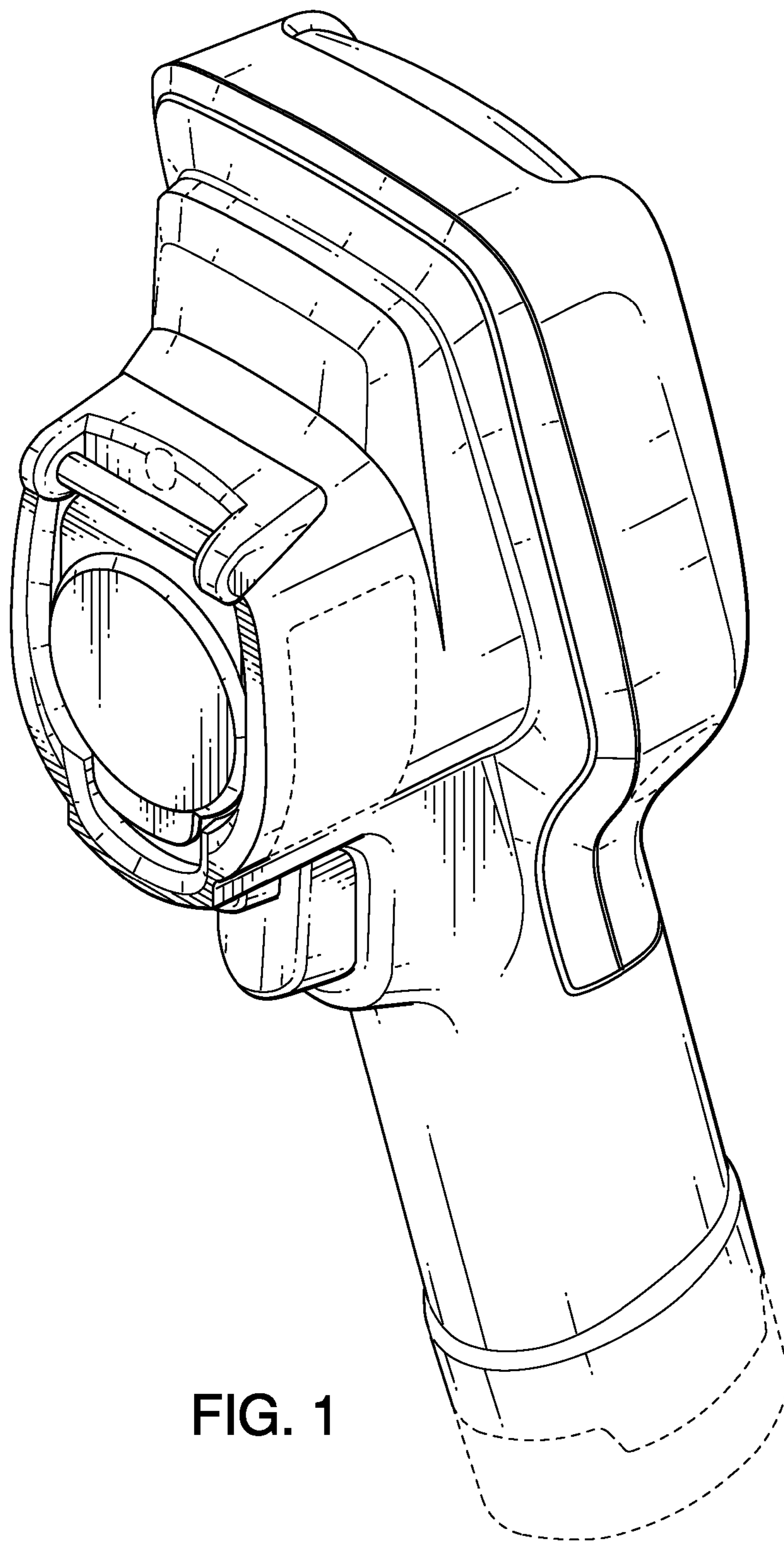


FIG. 1

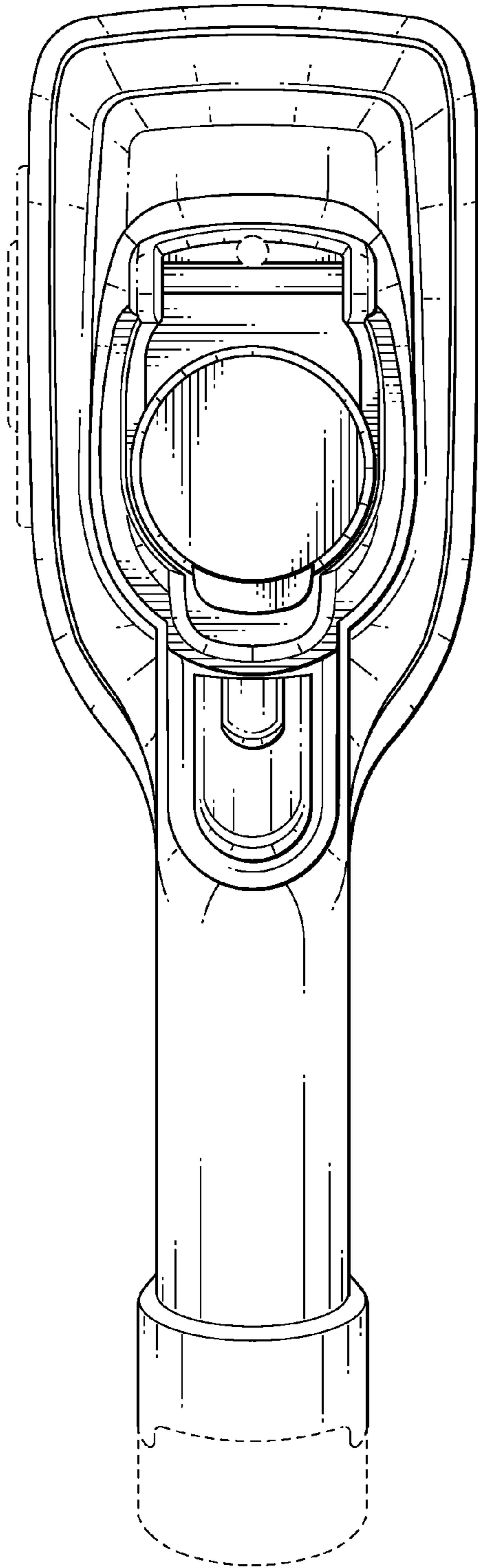


FIG. 2

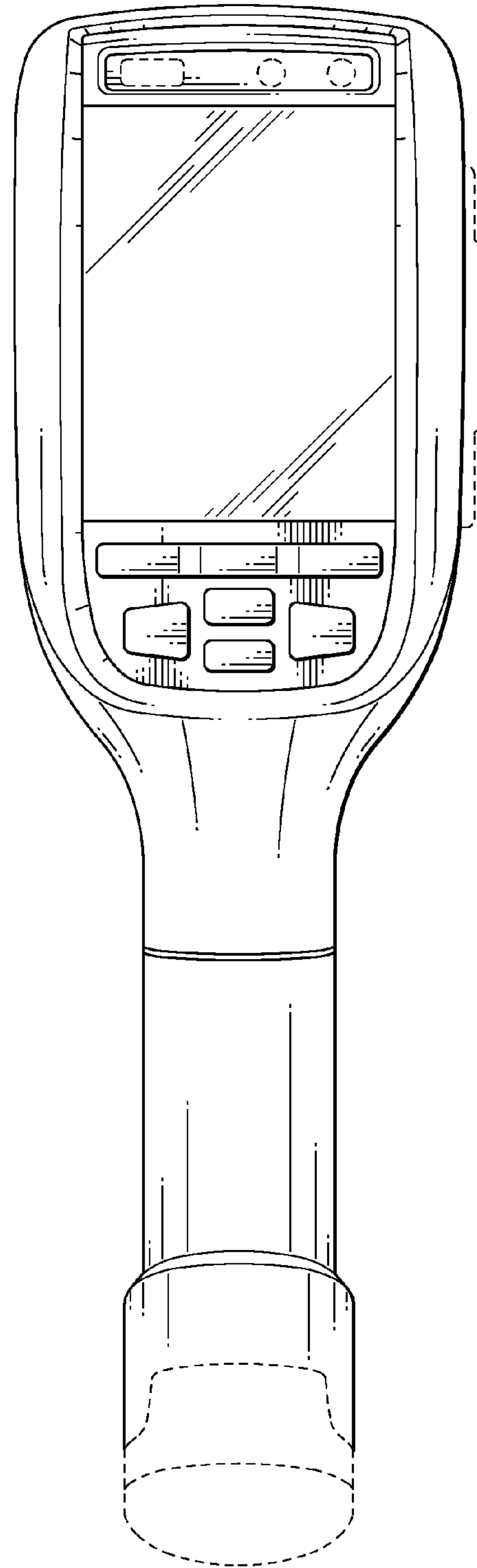


FIG. 3

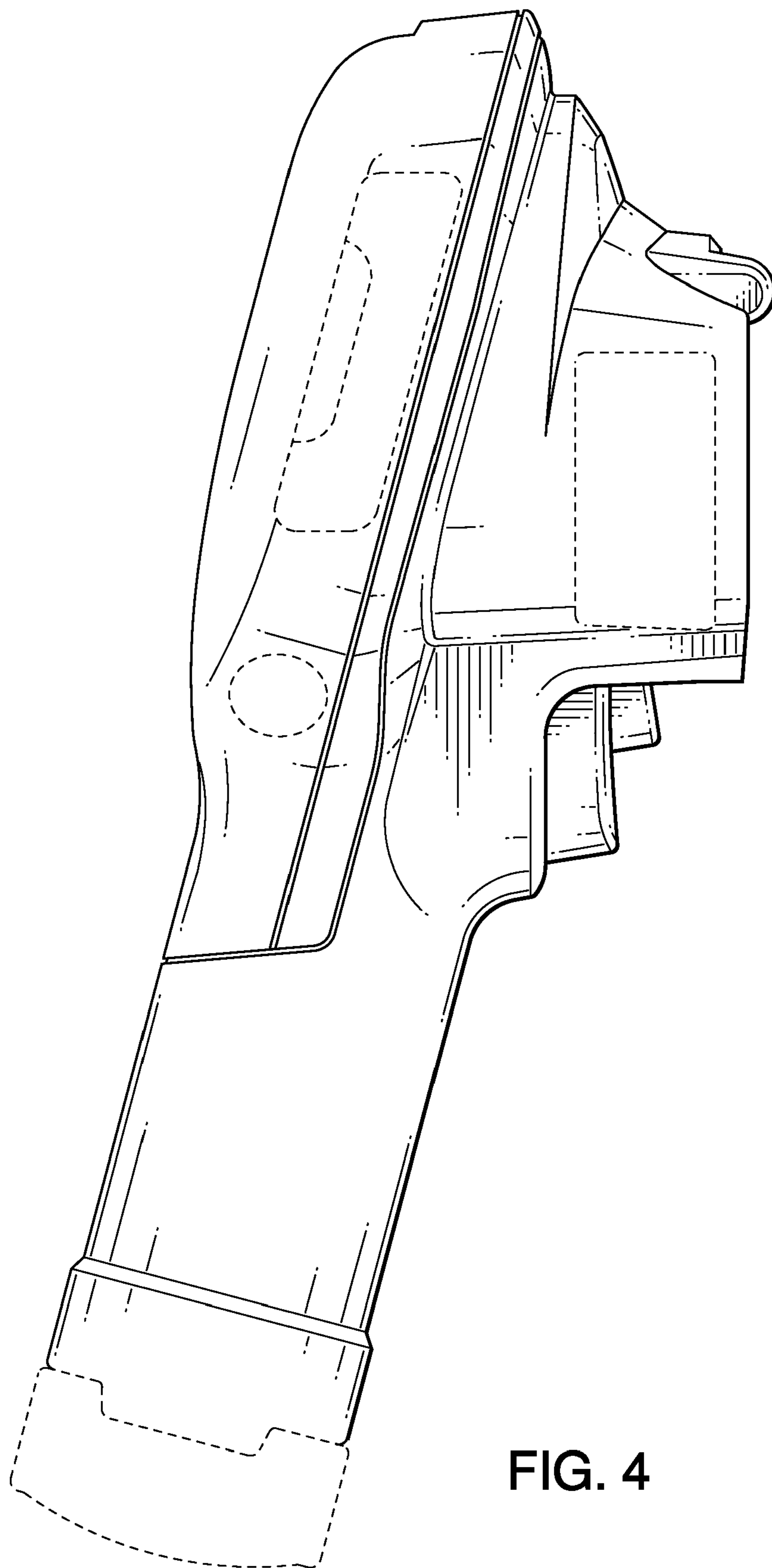


FIG. 4

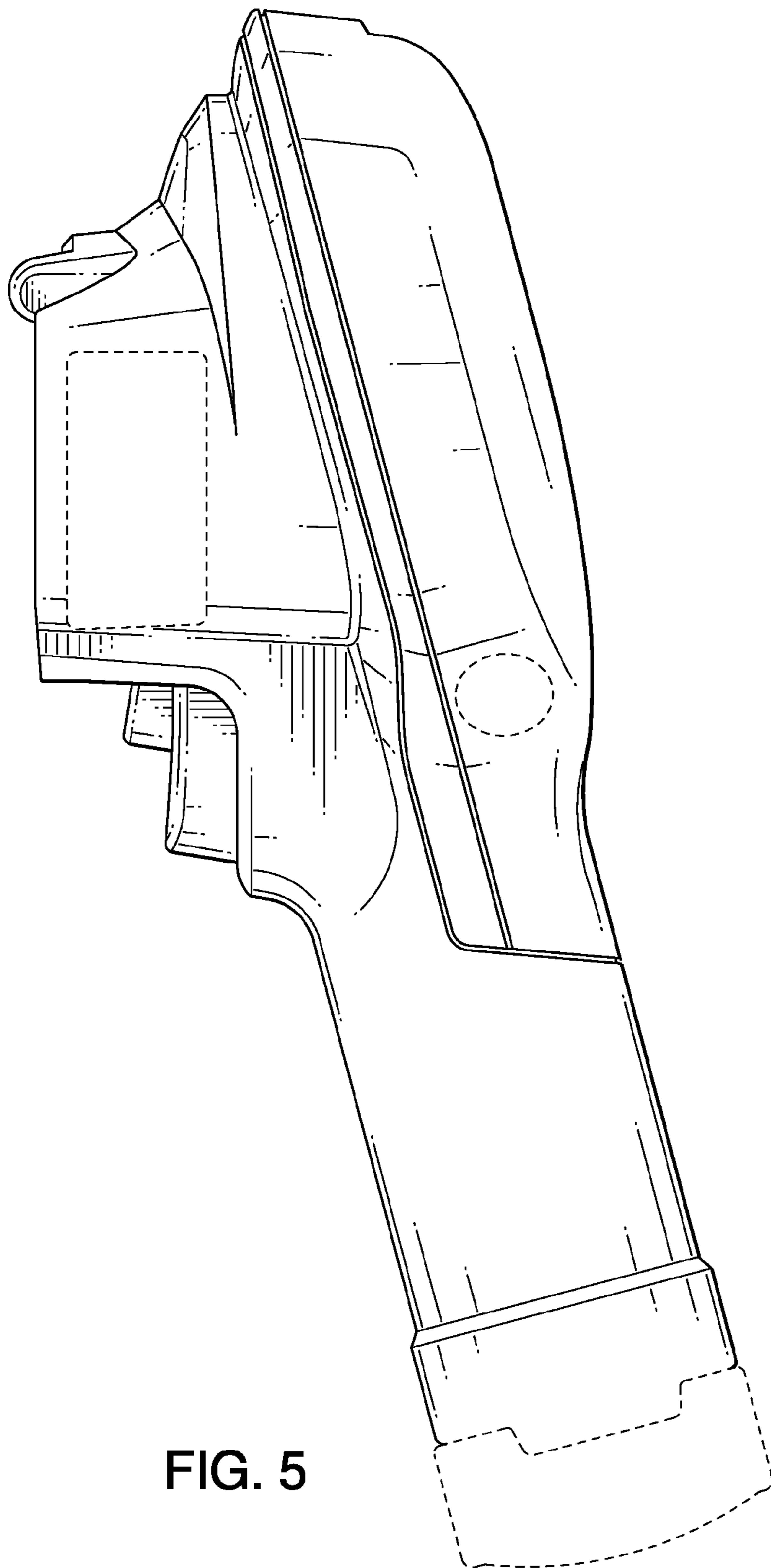


FIG. 5

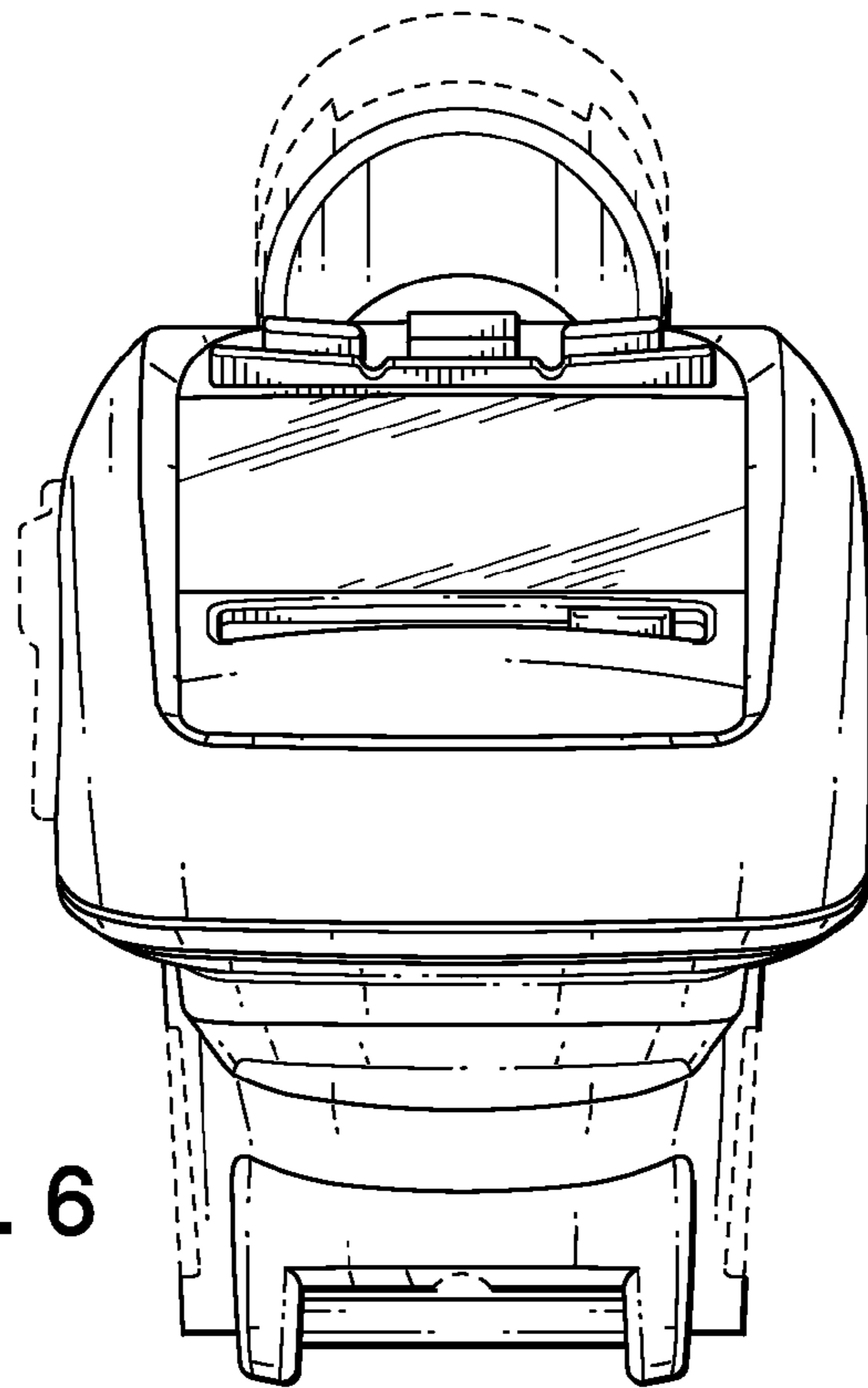


FIG. 6

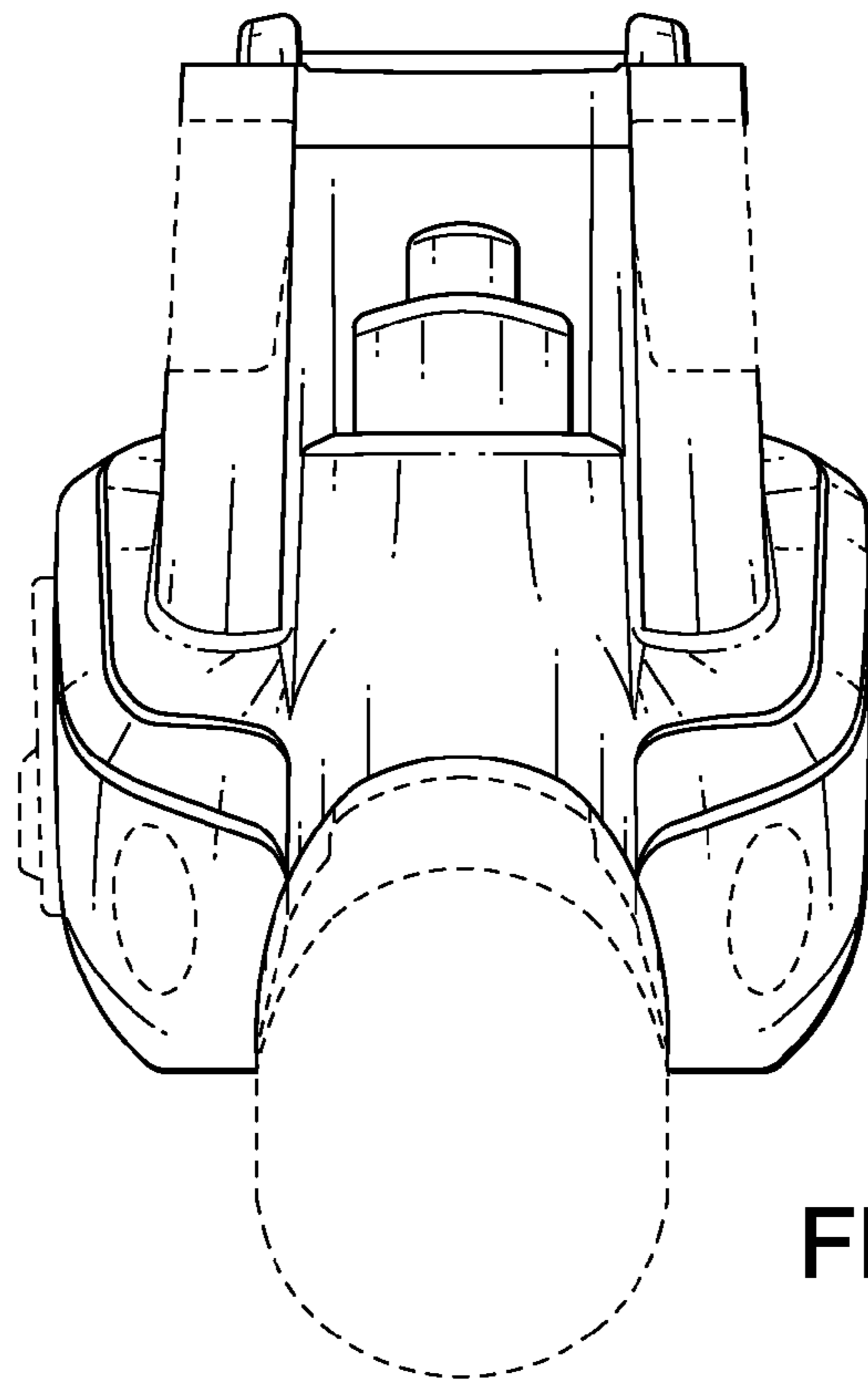


FIG. 7

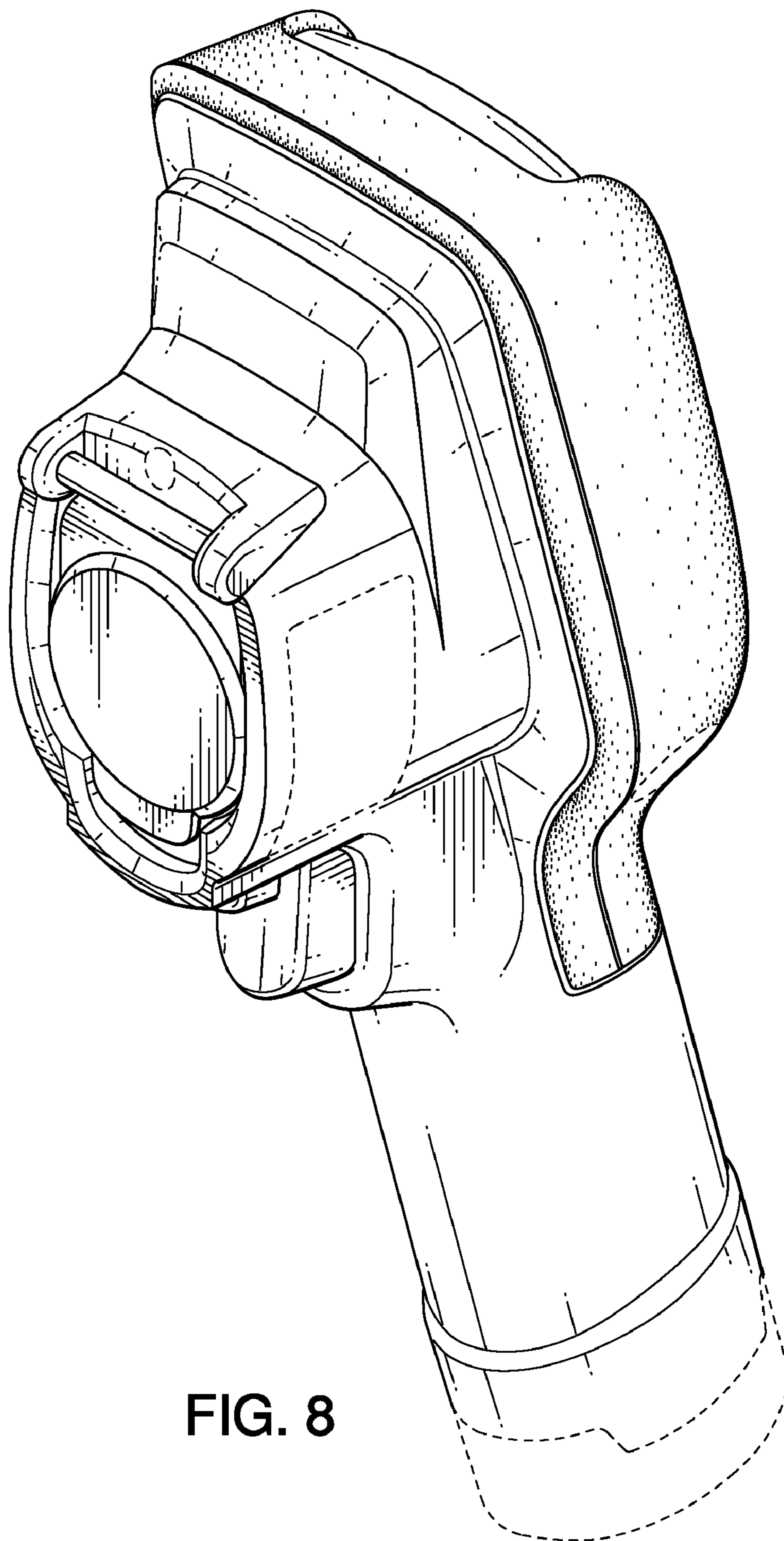


FIG. 8

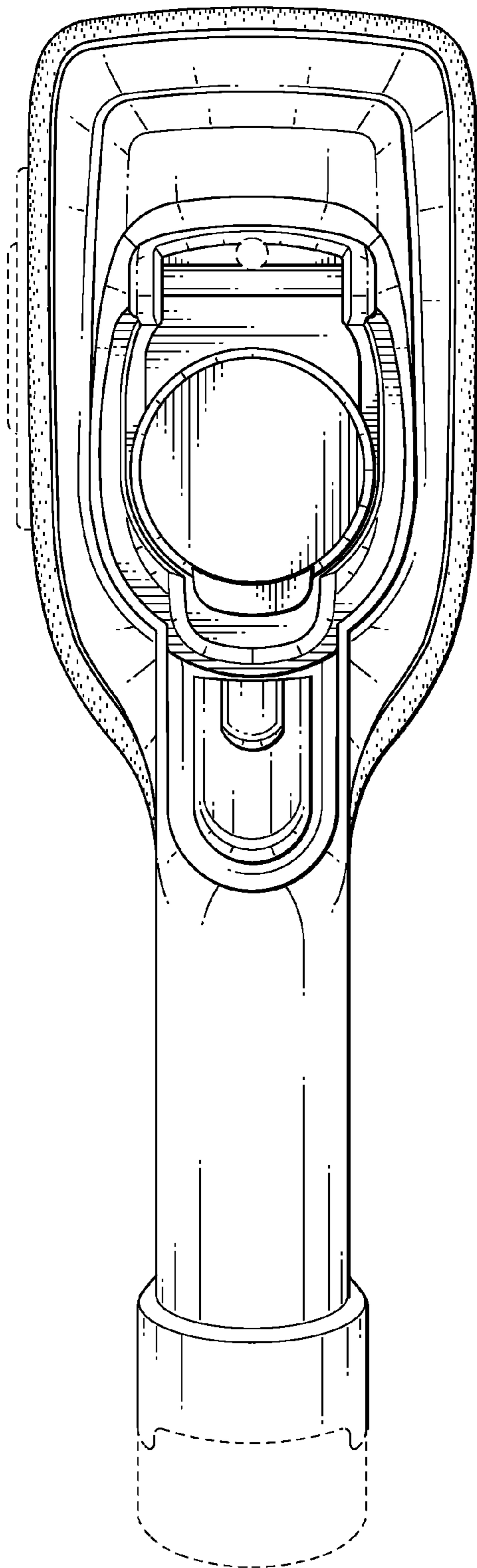


FIG. 9

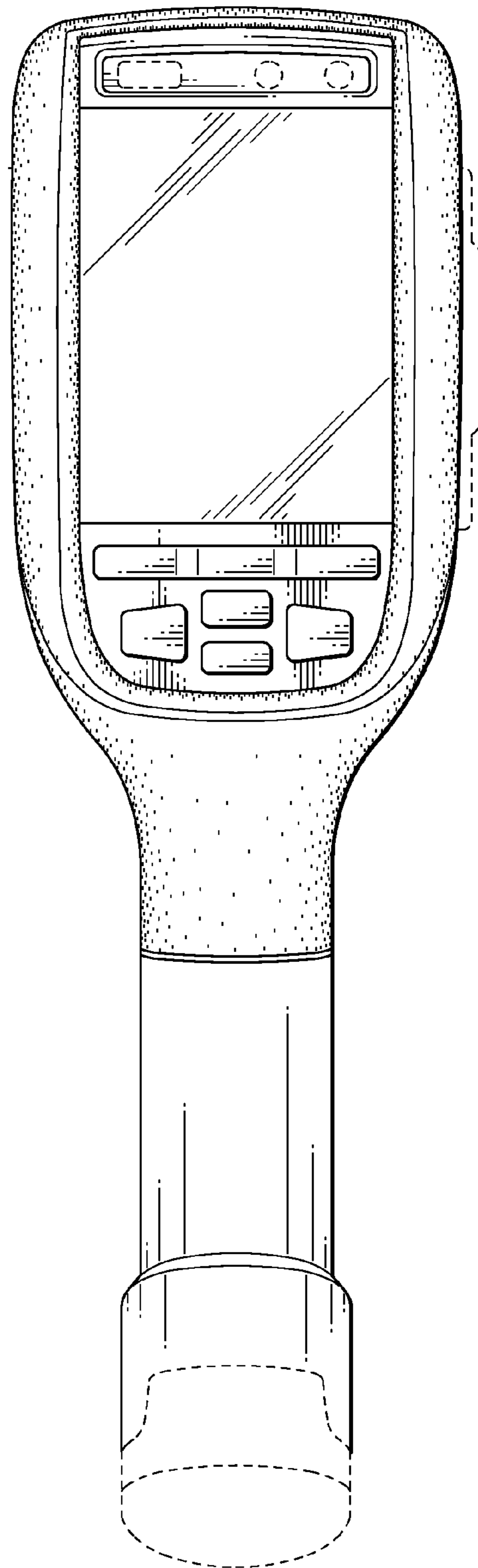


FIG. 10

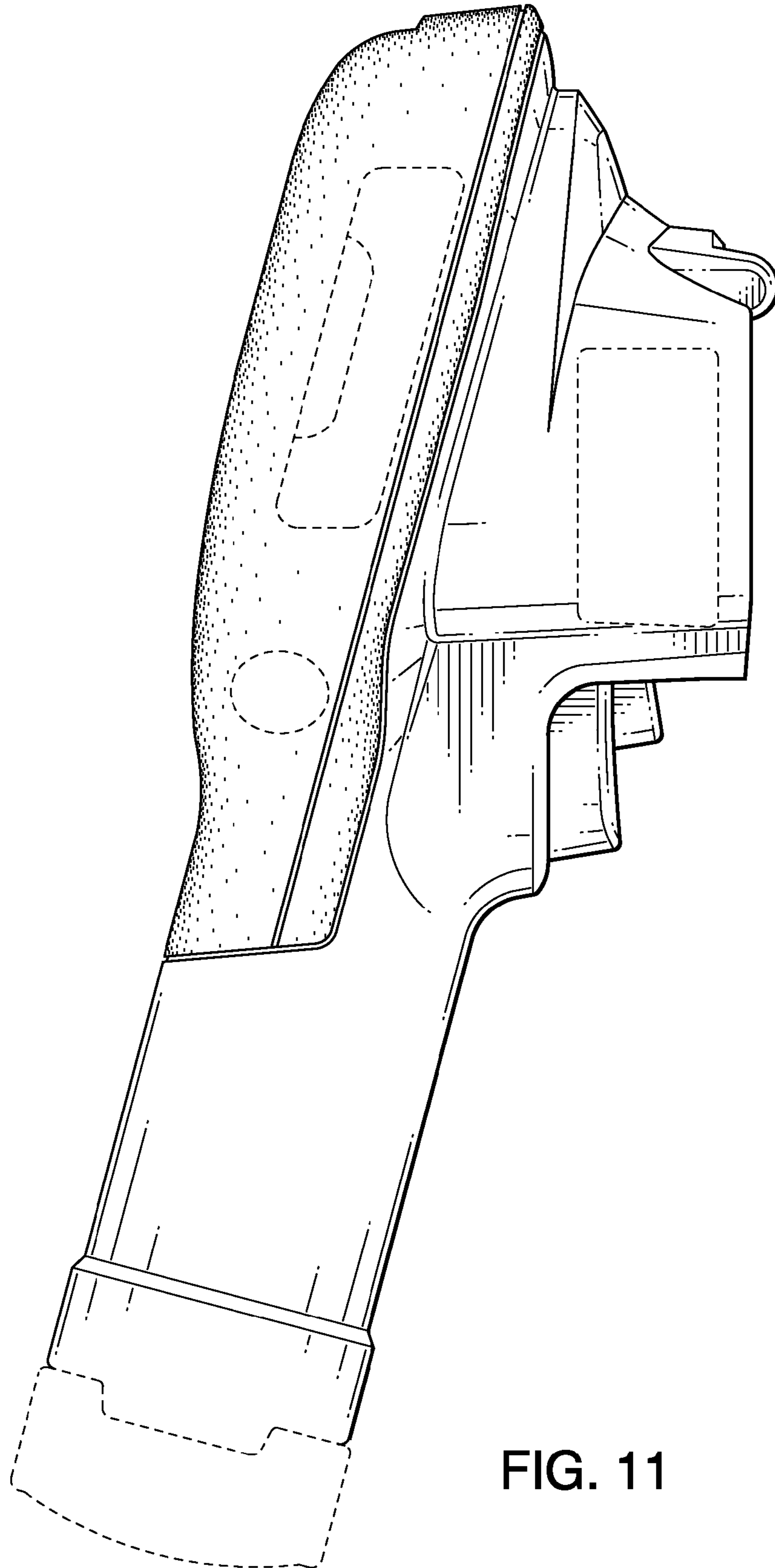


FIG. 11

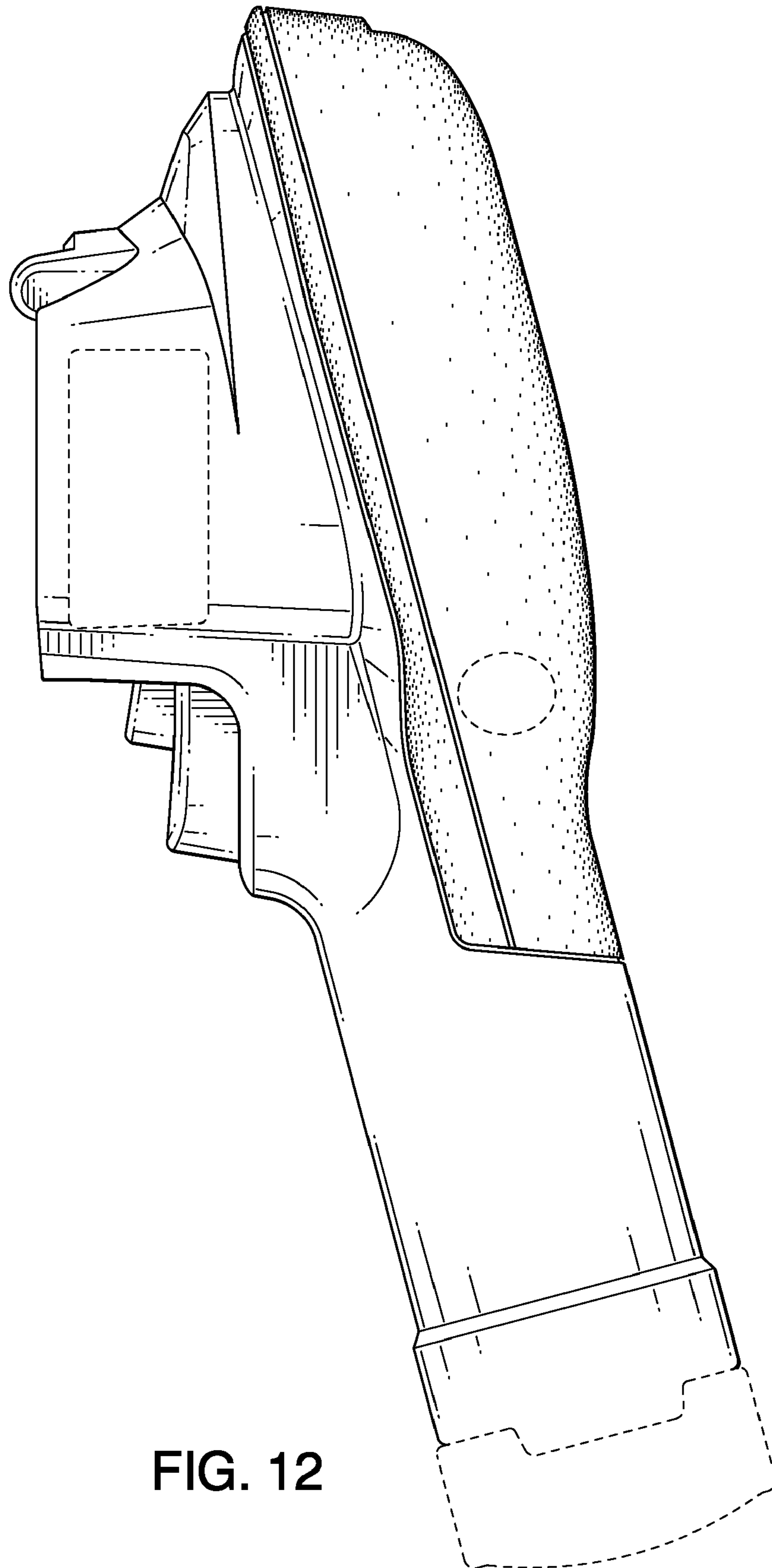


FIG. 12

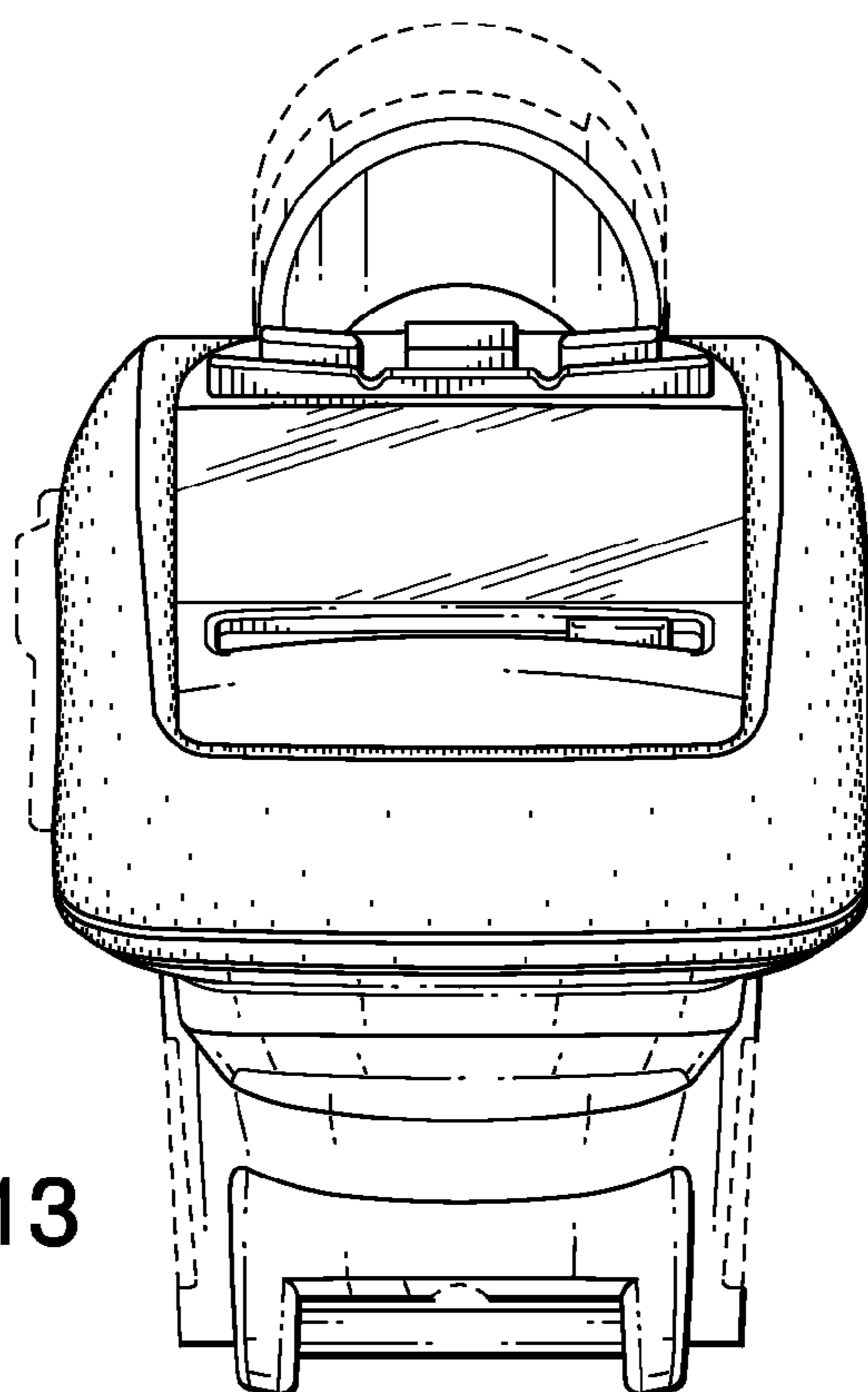


FIG. 13

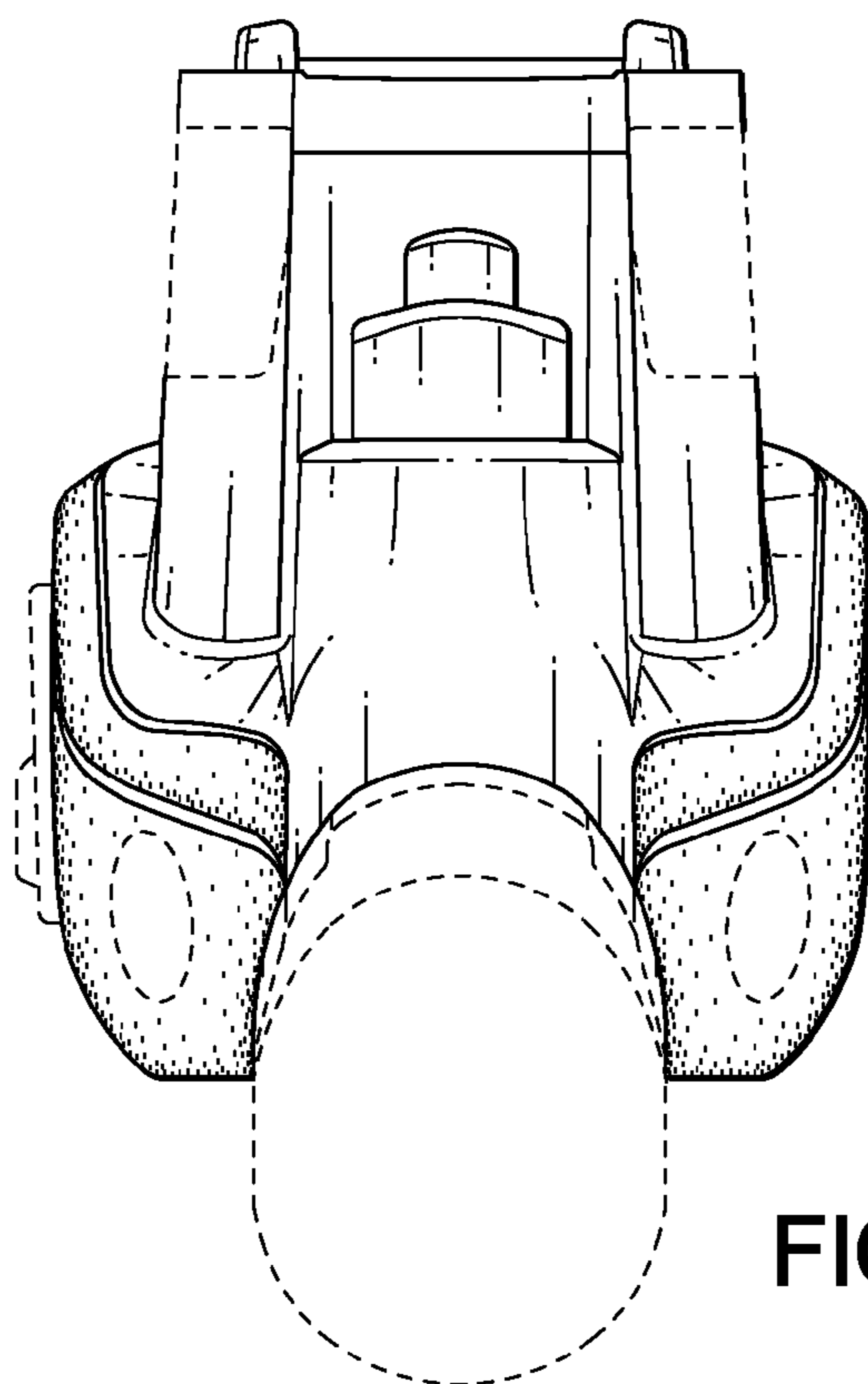


FIG. 14