

US00D658221S

(12) **United States Design Patent**
Bailey et al.

(10) **Patent No.:** **US D658,221 S**
(45) **Date of Patent:** **** Apr. 24, 2012**

(54) **CAMERA**

(75) Inventors: **Kevin M. Bailey**, Austin, TX (US);
Kevin P. Kellar, Austin, TX (US)

(73) Assignee: **LifeSize Communications, Inc.**, Austin,
TX (US)

(**) Term: **14 Years**

(21) Appl. No.: **29/361,530**

(22) Filed: **May 12, 2010**

(51) **LOC (9) Cl.** **16-01**

(52) **U.S. Cl.** **D16/202**

(58) **Field of Classification Search** D16/200,
D16/202-205, 208, 218, 242; 348/143, 207.99,
348/373, 376; 358/906; 396/419, 427, 428,
396/535

See application file for complete search history.

(56) **References Cited**

U.S. PATENT DOCUMENTS

7,046,295	B2 *	5/2006	Hovanky	348/373
D536,719	S	2/2007	Lukie et al.		
D562,372	S *	2/2008	Takahashi	D16/202
D571,839	S *	6/2008	Andresen	D16/202
D589,996	S *	4/2009	Kellar et al.	D16/203
D594,497	S *	6/2009	Hatori et al.	D16/202
7,717,629	B2 *	5/2010	Kenoyer et al.	396/428
D627,811	S *	11/2010	Andresen et al.	D16/202
2006/0082655	A1 *	4/2006	Vanderwilt et al.	348/207.99
2006/0109375	A1 *	5/2006	Ho et al.	348/376

OTHER PUBLICATIONS

“Camera.” Available Apr. 21, 2010. (2 pages).

* cited by examiner

Primary Examiner — Adir Aronovich

(74) *Attorney, Agent, or Firm* — Meyertons Hood Kivlin
Kowert & Goetzel, P.C.; Jeffrey C. Hood

(57) **CLAIM**

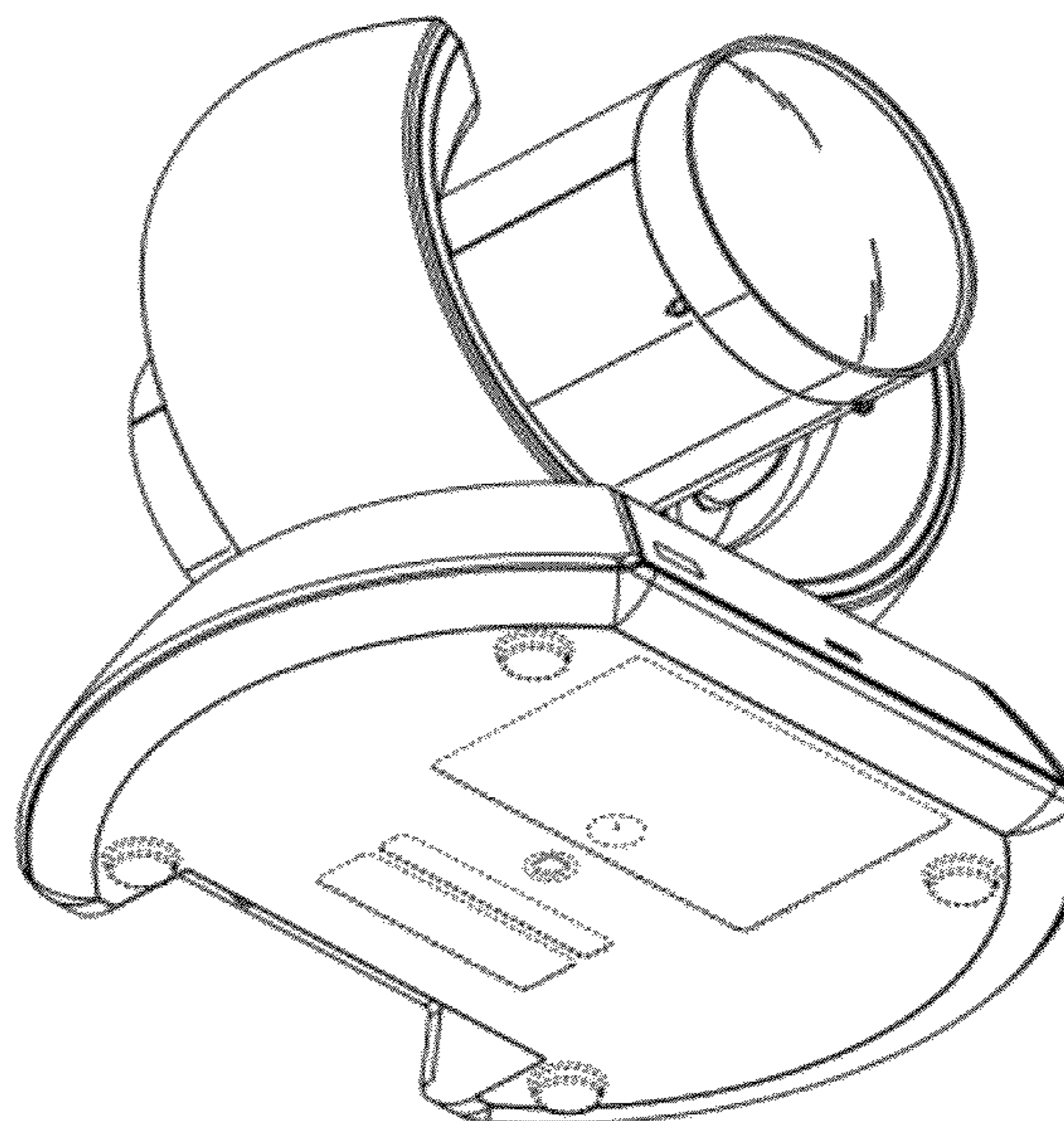
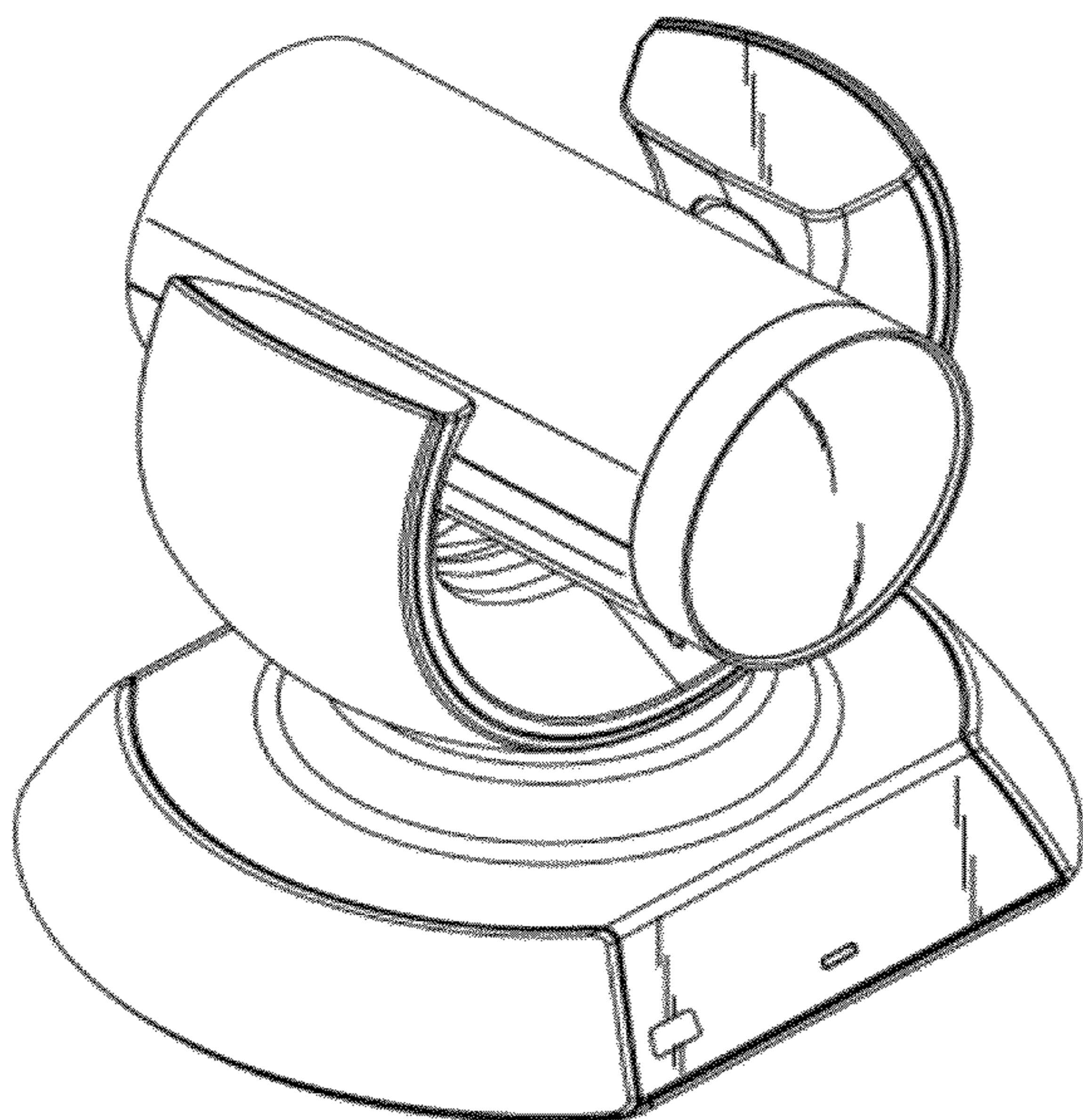
The ornamental design for a camera, as shown and described.

DESCRIPTION

FIG. 1 is a front, left and top perspective view of a camera showing our new design;
FIG. 2 is a front, left and bottom perspective view thereof;
FIG. 3 is a rear, right, and top perspective view thereof;
FIG. 4 is a rear, right and bottom perspective view thereof;
FIG. 5 is a front elevational view thereof;
FIG. 6 is a rear elevational view thereof;
FIG. 7 is a top plan view thereof;
FIG. 8 is a bottom plan view thereof;
FIG. 9 is a right side elevational view thereof; and,
FIG. 10 is a left side elevational view thereof.

In these drawings, the solid lines illustrate the claimed ornamental design, whereas the broken lines illustrate environmental features that form no part of the claimed ornamental design.

1 Claim, 5 Drawing Sheets



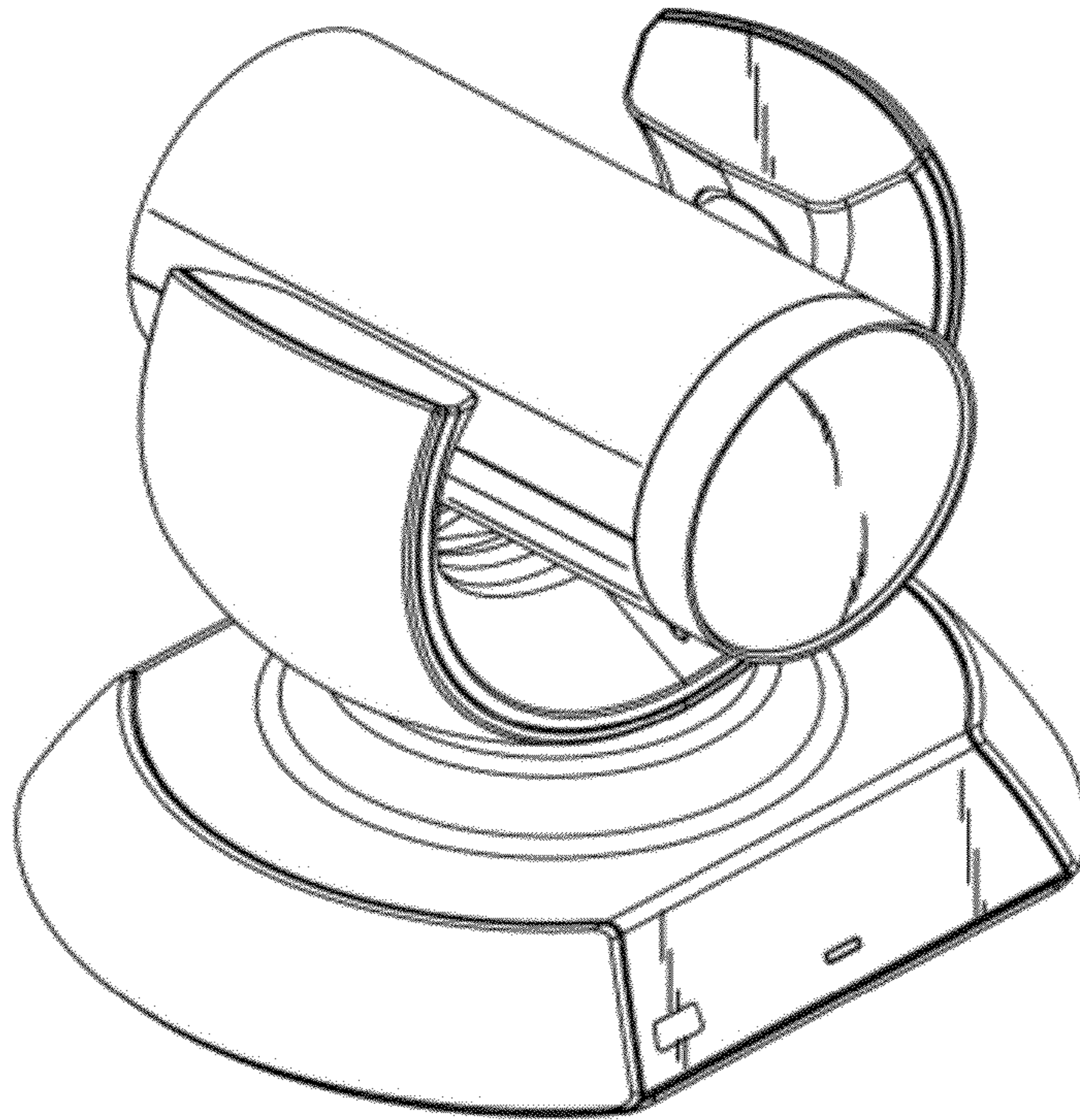


FIG. 1

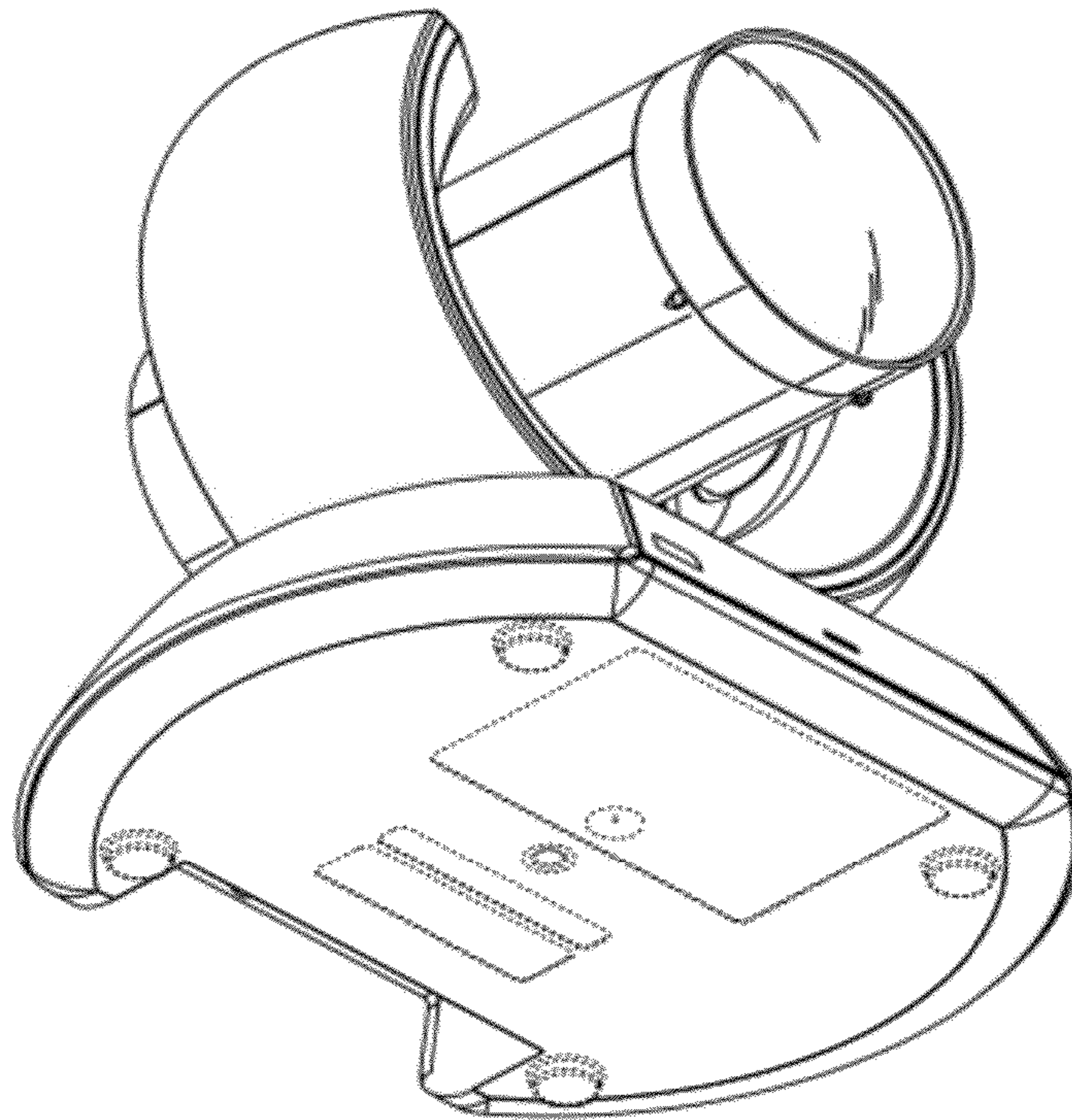


FIG. 2

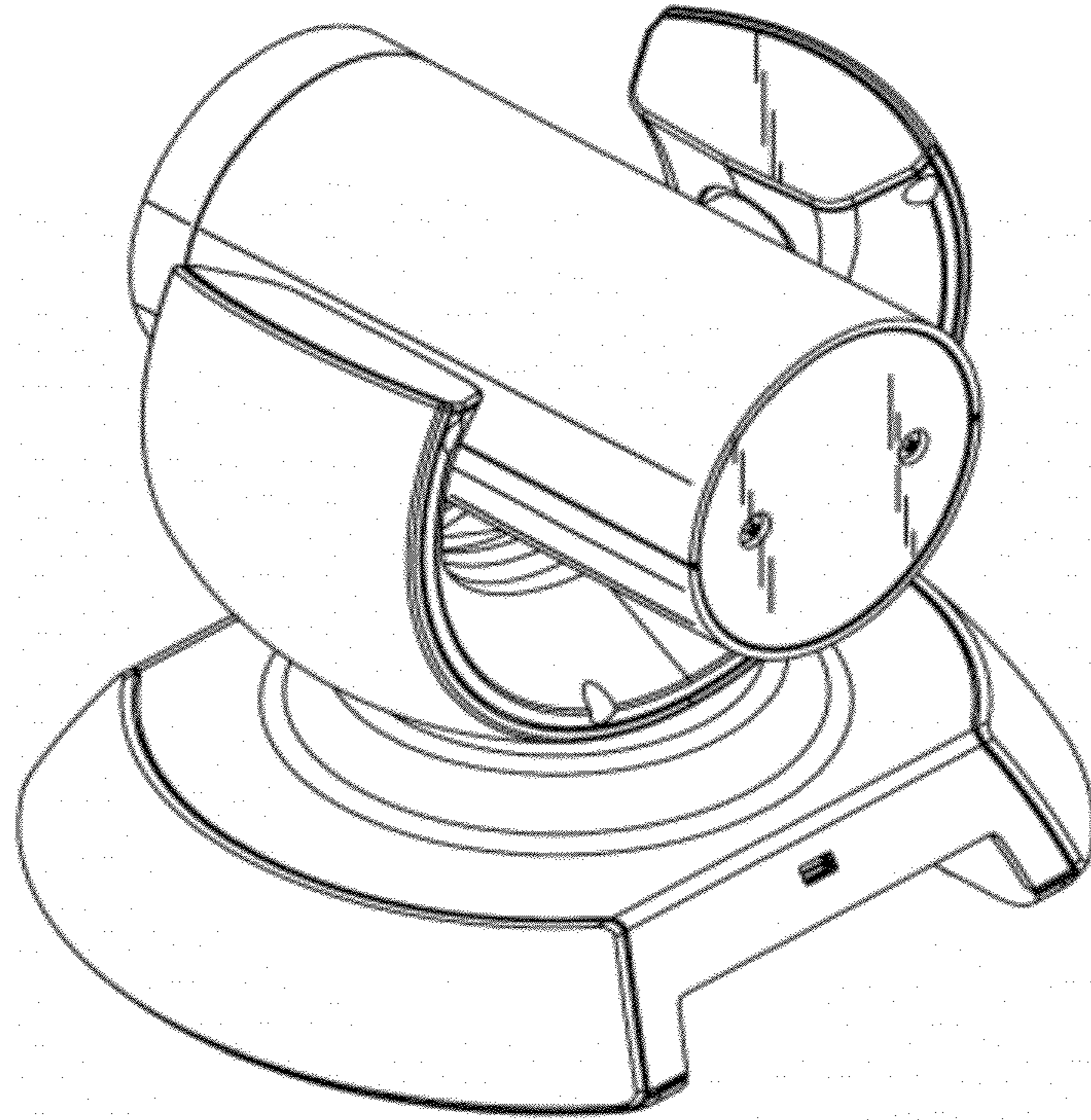


FIG. 3

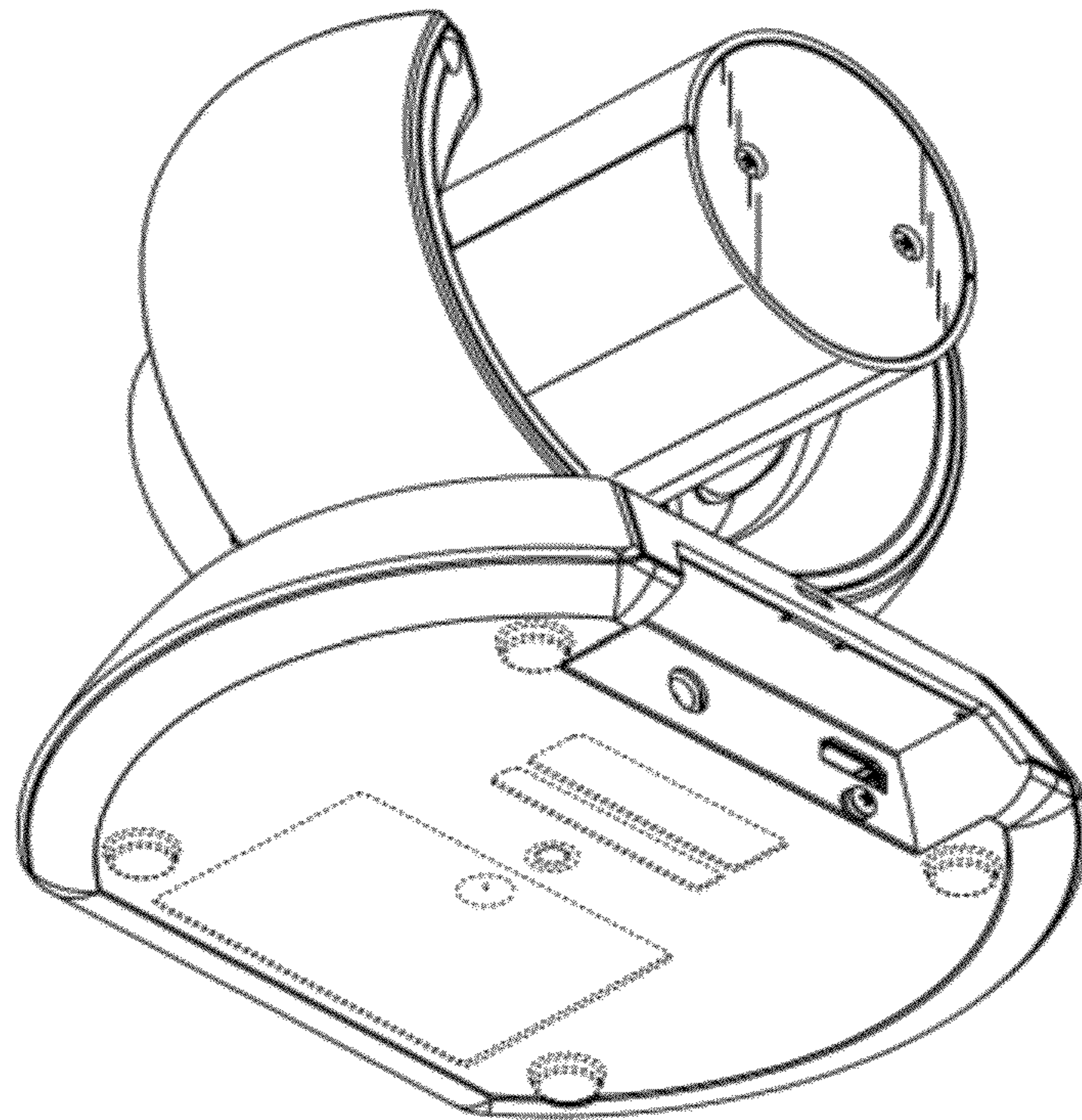


FIG. 4

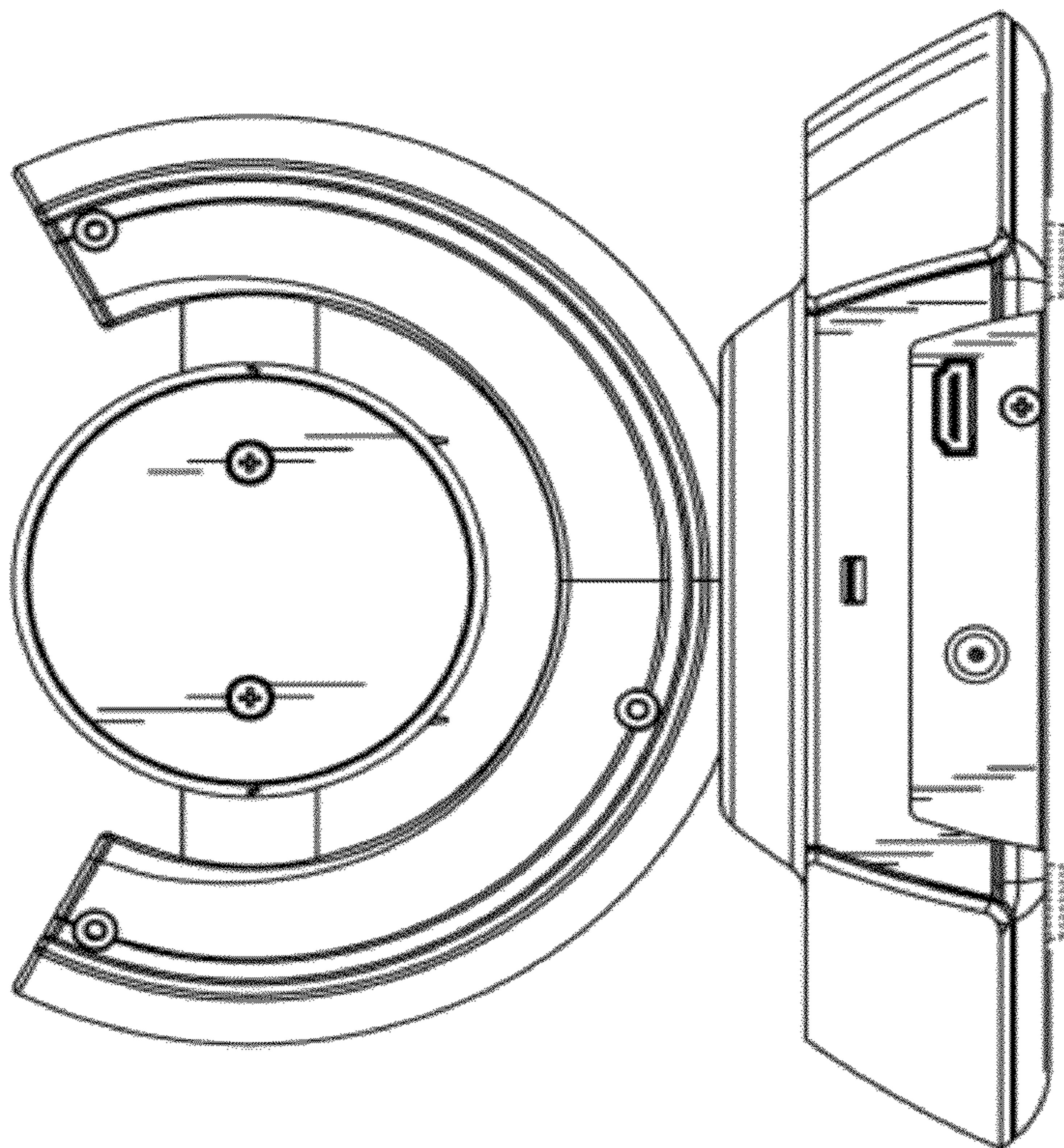


FIG. 6

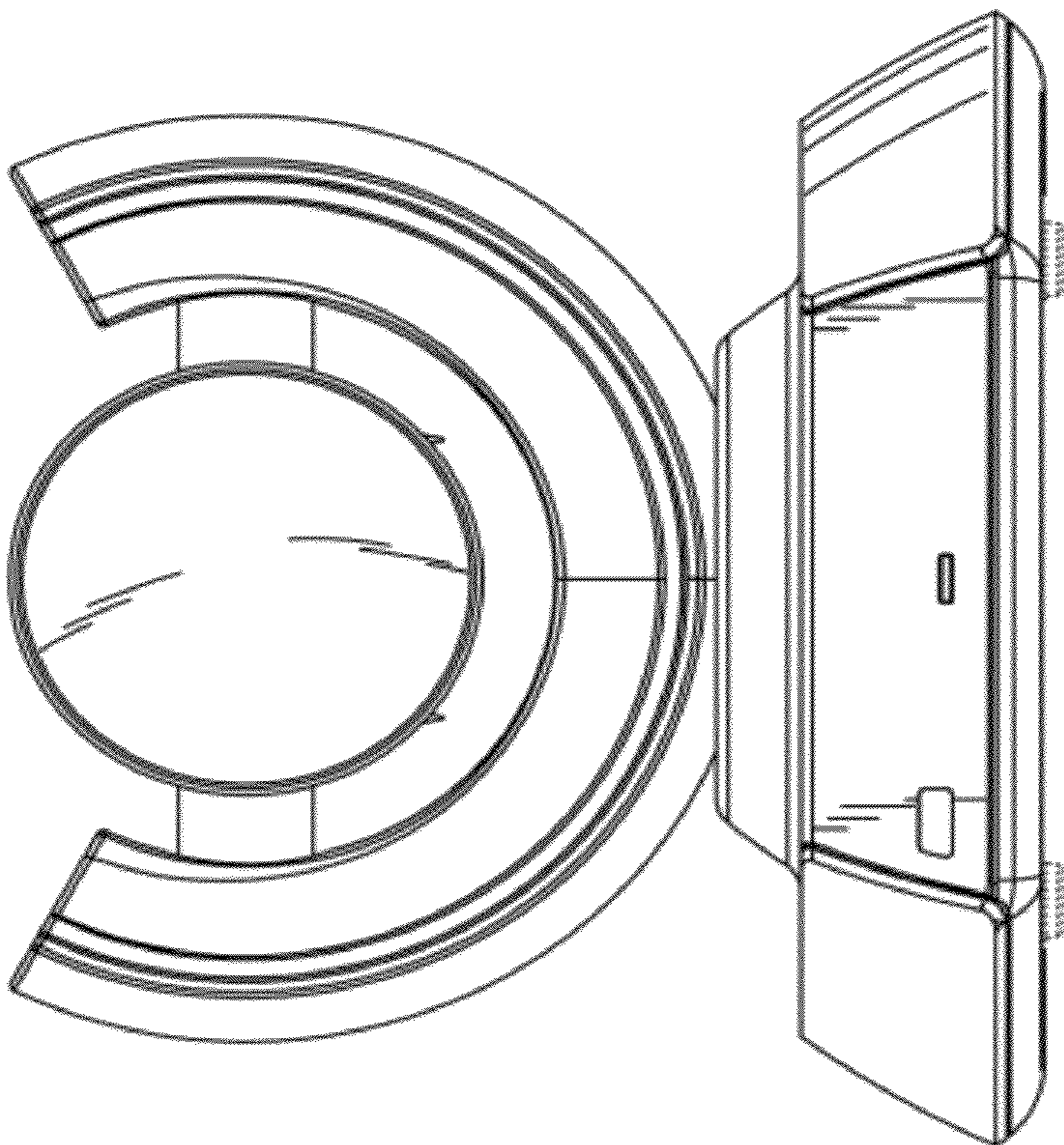


FIG. 5

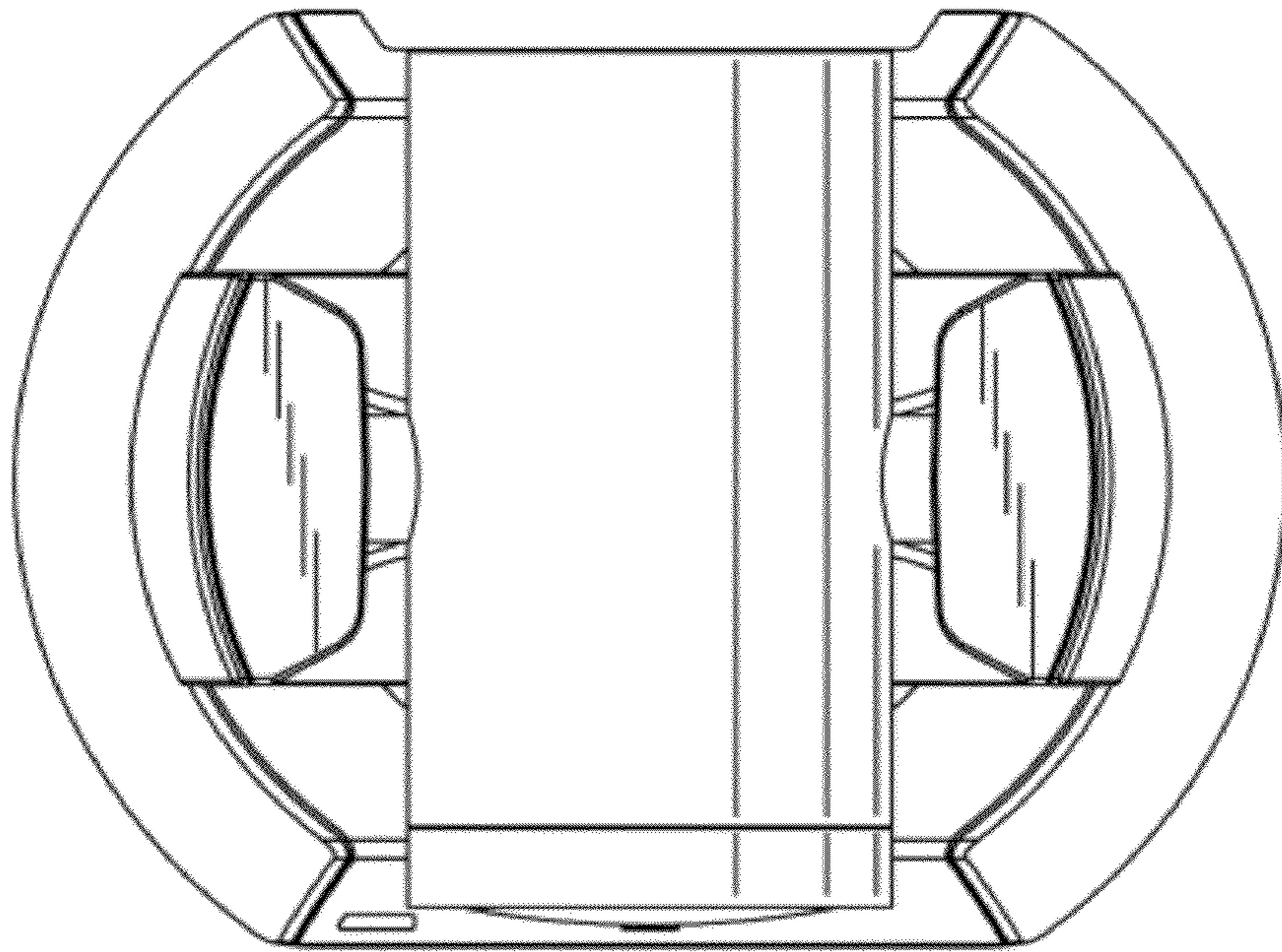


FIG. 7

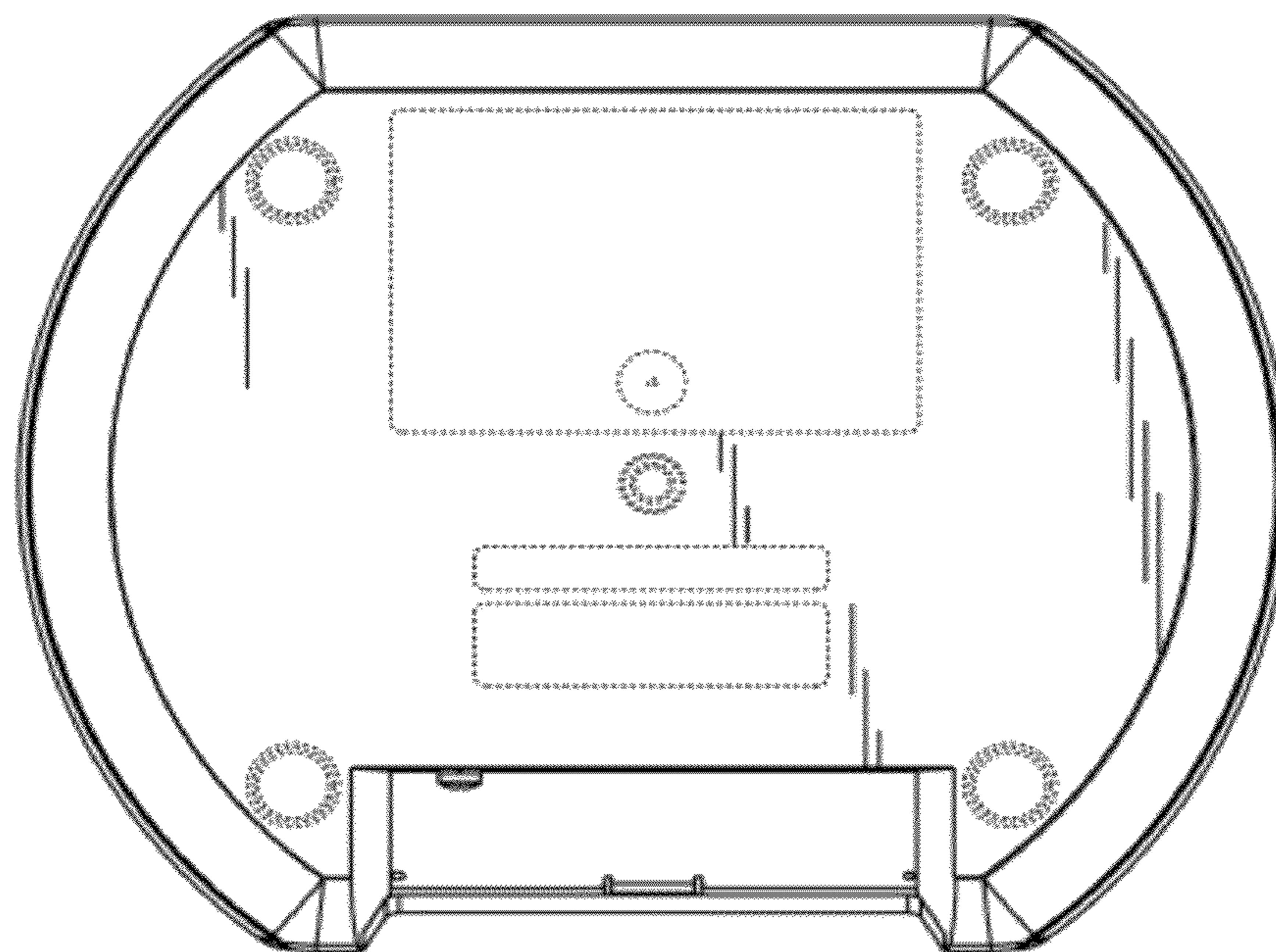


FIG. 8

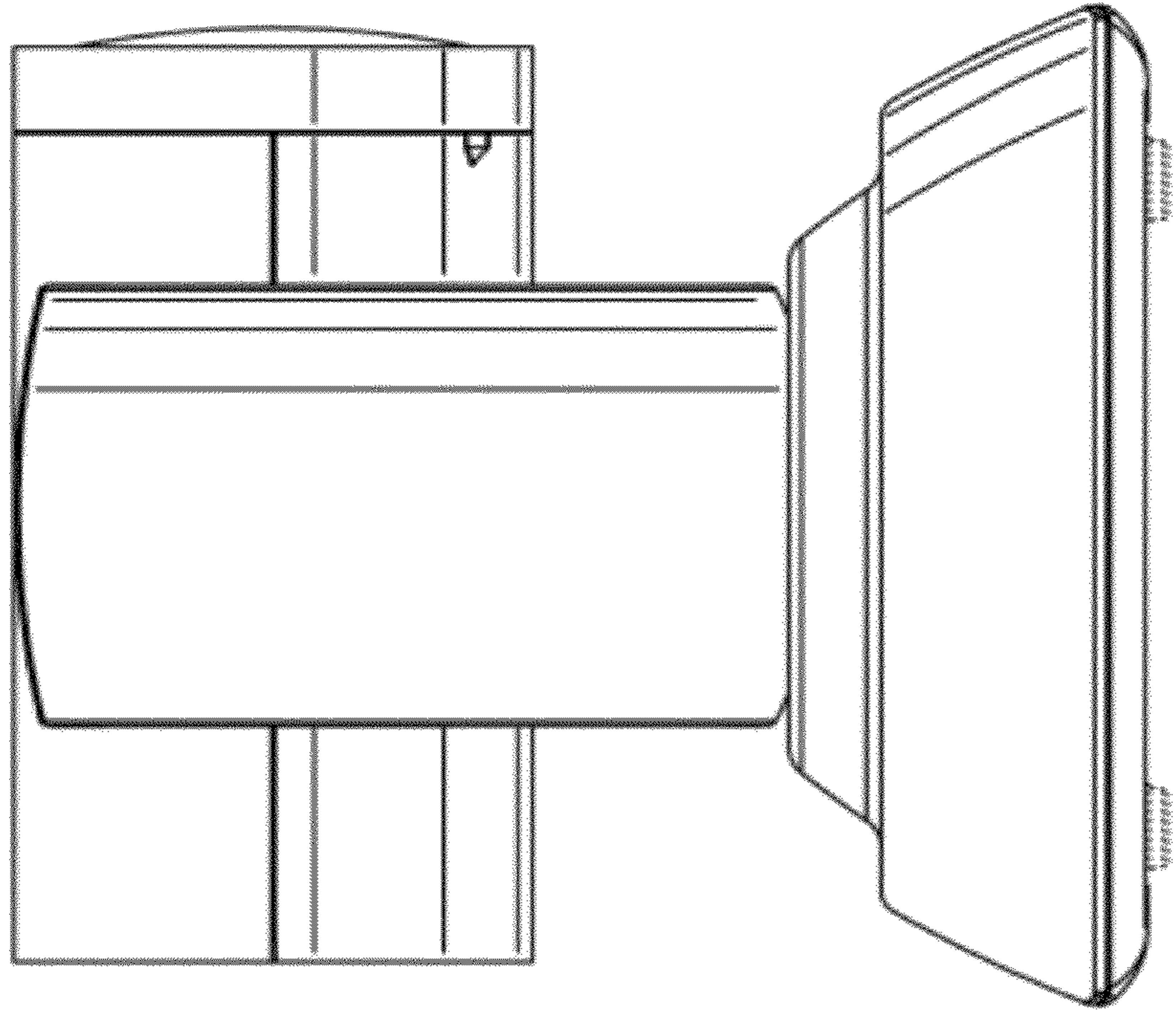


FIG. 10

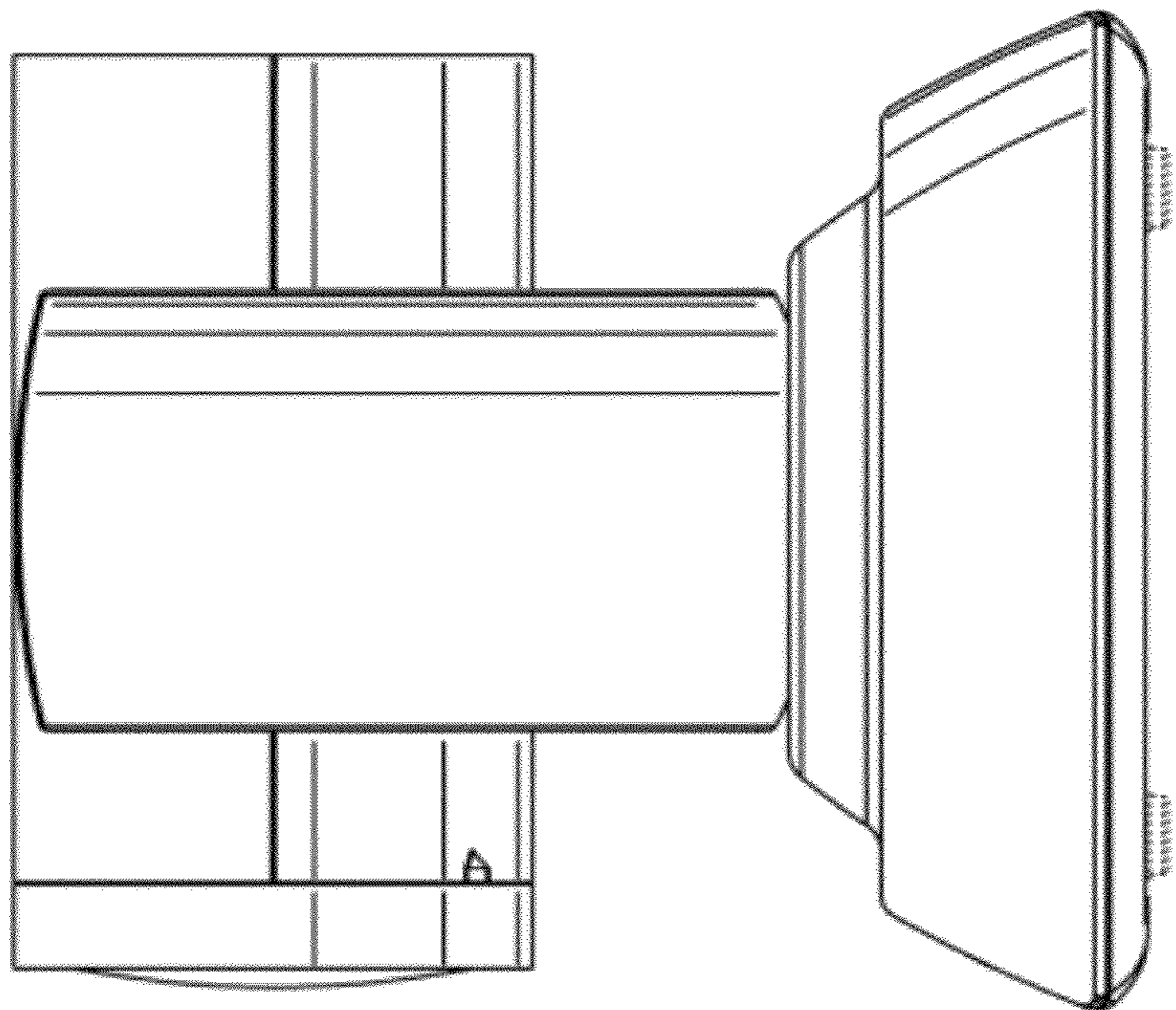


FIG. 9