

US00D658220S

(12) **United States Design Patent**
Saum

(10) **Patent No.:** **US D658,220 S**

(45) **Date of Patent:** **** Apr. 24, 2012**

(54) **CROP CIRCLE GROW WHEEL**

(76) **Inventor:** **Jessie Ray Saum**, Cocoa Beach, FL
(US)

(**) **Term:** **14 Years**

(21) **Appl. No.:** **29/374,478**

(22) **Filed:** **Aug. 22, 2011**

(51) **LOC (9) Cl.** **15-99**

(52) **U.S. Cl.** **D15/199; D11/144**

(58) **Field of Classification Search** D11/121,
D11/144; D15/199; D21/248, 530; D30/131;
47/59, 60, 62, 63; 362/218, 264, 294, 345,
362/373

See application file for complete search history.

(56) **References Cited**

U.S. PATENT DOCUMENTS

D285,592	S	*	9/1986	Kushner	D21/493
5,394,647	A	*	3/1995	Blackford, Jr.	47/62 A
D360,603	S	*	7/1995	Harman	D11/144
D366,226	S	*	1/1996	Foutes	D11/144
5,502,923	A	*	4/1996	Bradshaw	47/62 A
D379,777	S	*	6/1997	Segan et al.	D11/121

6,595,662	B2	*	7/2003	Wardenburg	362/362
7,143,544	B2	*	12/2006	Roy	47/60
D572,317	S	*	7/2008	Lam	D21/530
D604,196	S	*	11/2009	Bissonnette et al.	D11/144
2002/0141195	A1	*	10/2002	Peter	362/362
2010/0002452	A1	*	1/2010	Gananathan et al.	362/373
2011/0232190	A1	*	9/2011	Pindus et al.	47/62 A

* cited by examiner

Primary Examiner — Patricia Palasik

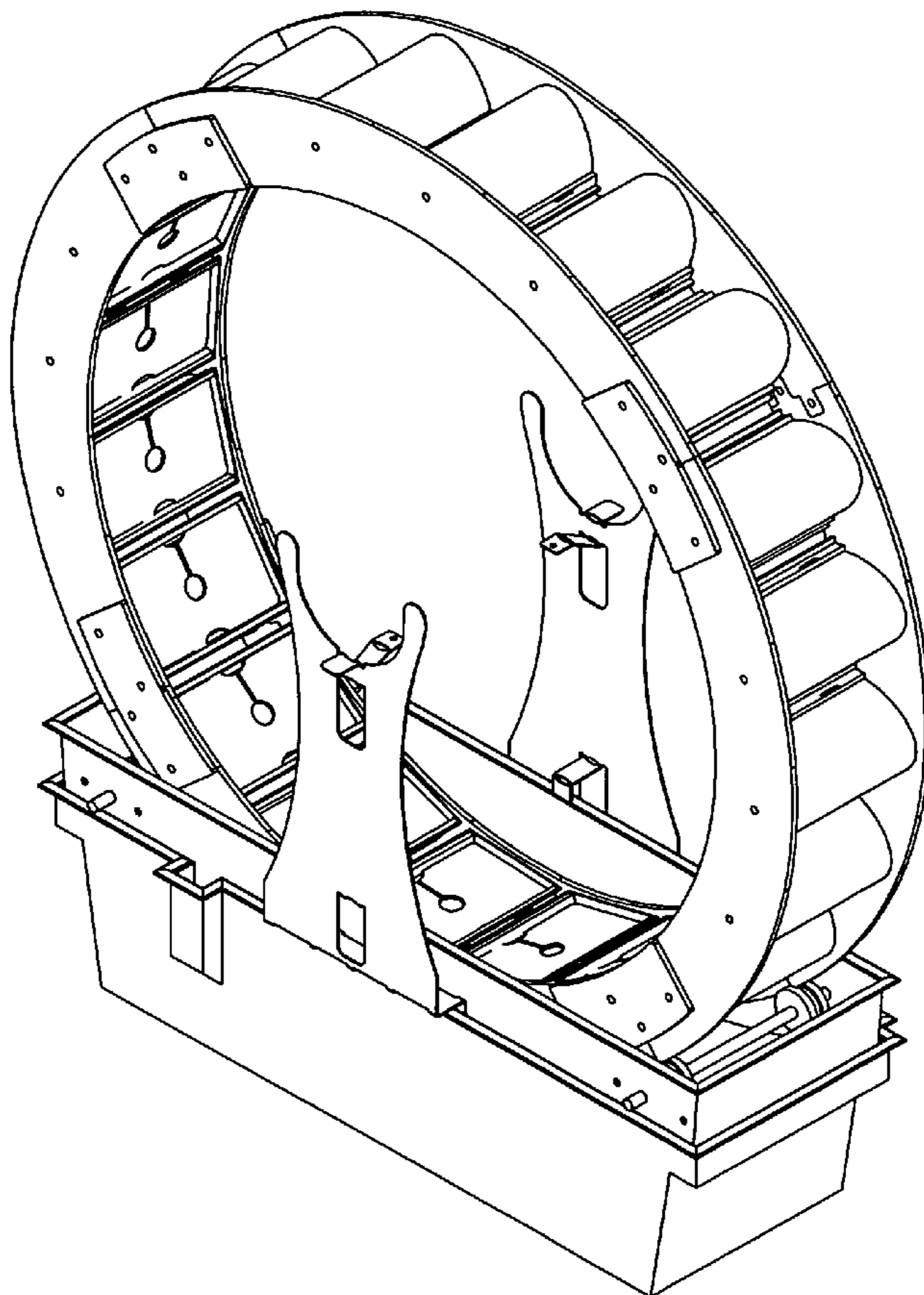
(57) **CLAIM**

I claim the ornamental design for the crop circle grow wheel, as shown and described.

DESCRIPTION

FIG. 1 is a front elevational view of the crop circle grow wheel, showing my new design;
FIG. 2 is a rear elevational view thereof;
FIG. 3 is a right side elevational view thereof;
FIG. 4 is a top plan view thereof;
FIG. 5 is a bottom plan view thereof; and,
FIG. 6 is a front perspective view thereof.

1 Claim, 6 Drawing Sheets



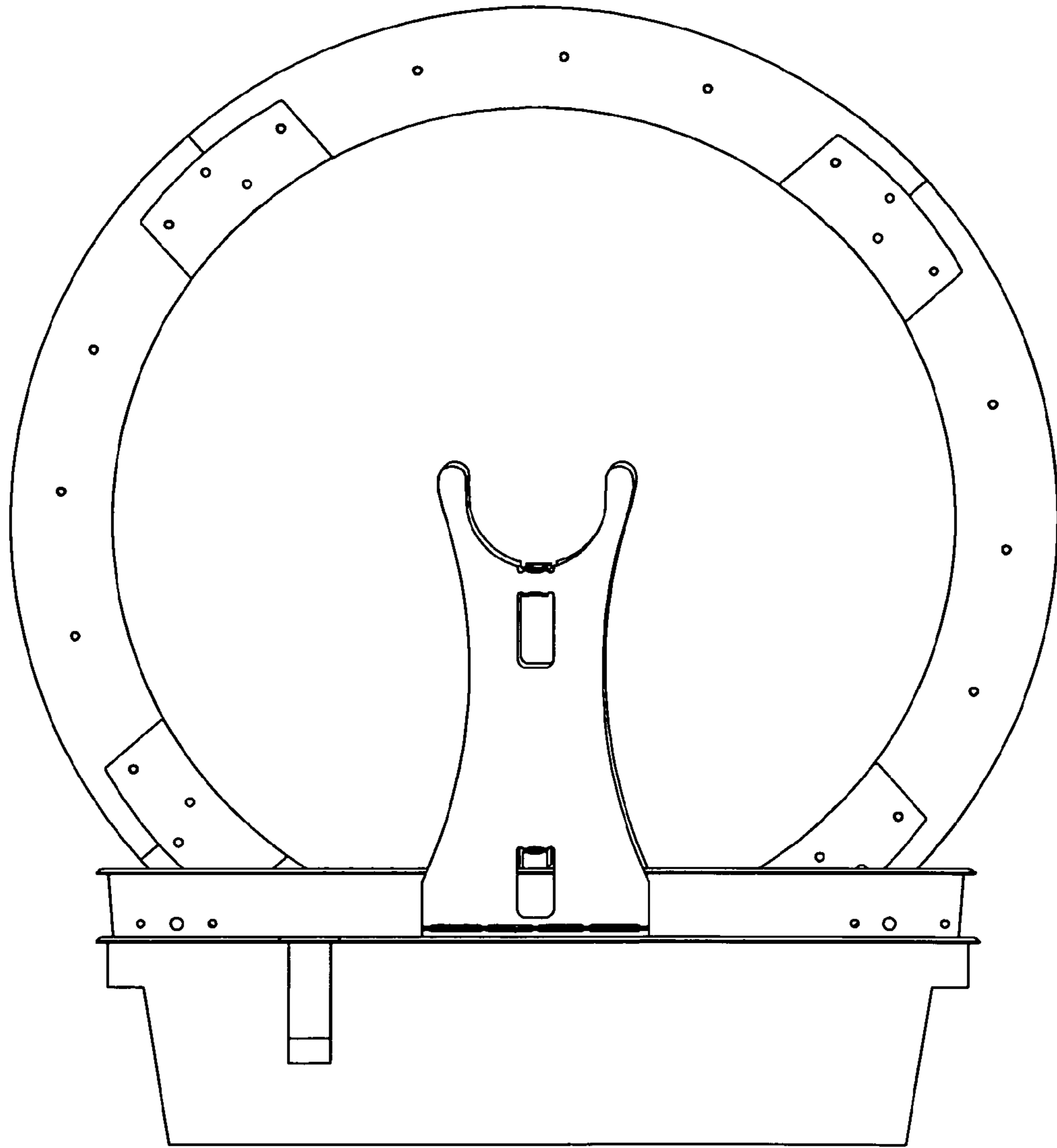


Fig. 1

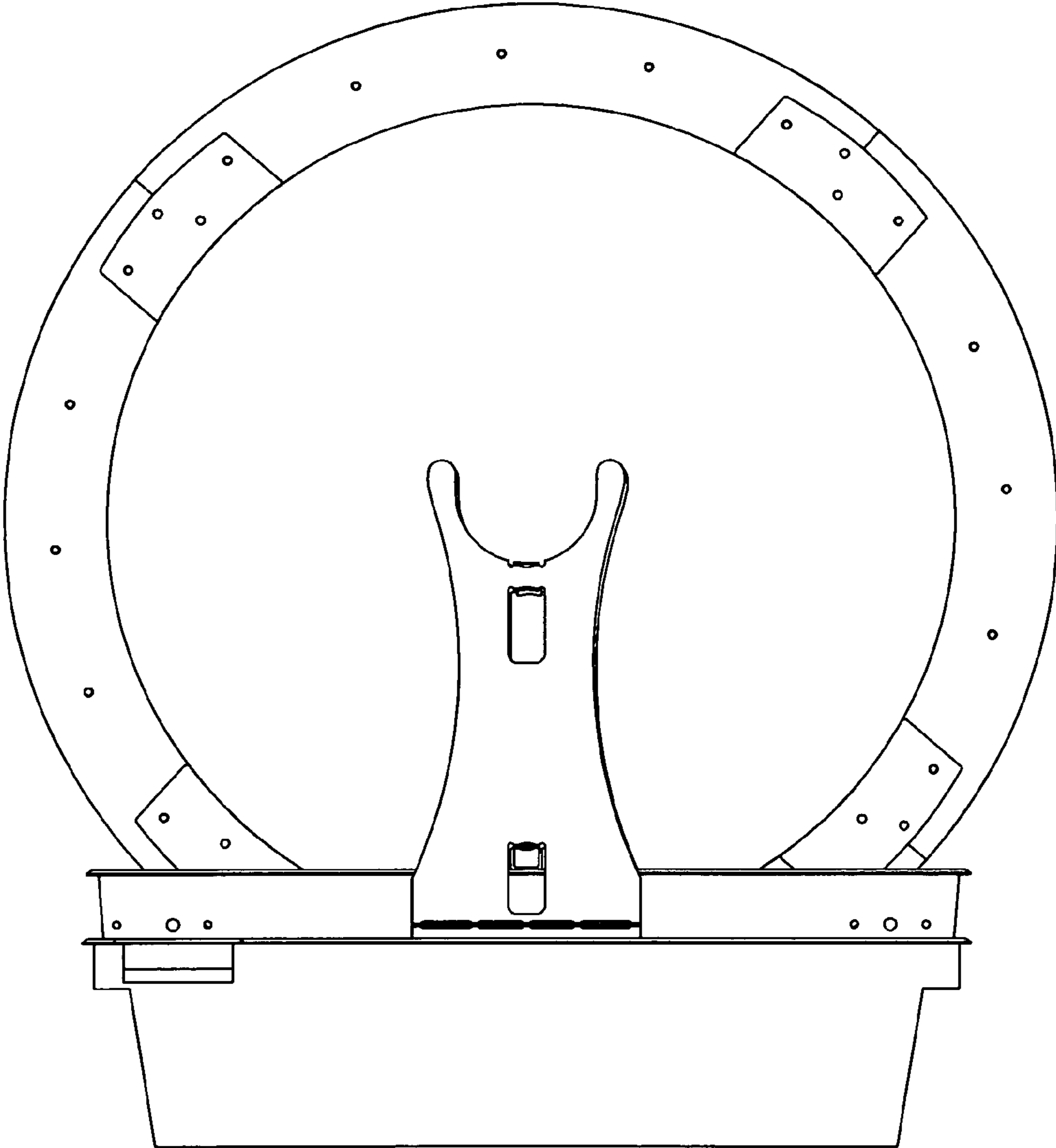


Fig 2.

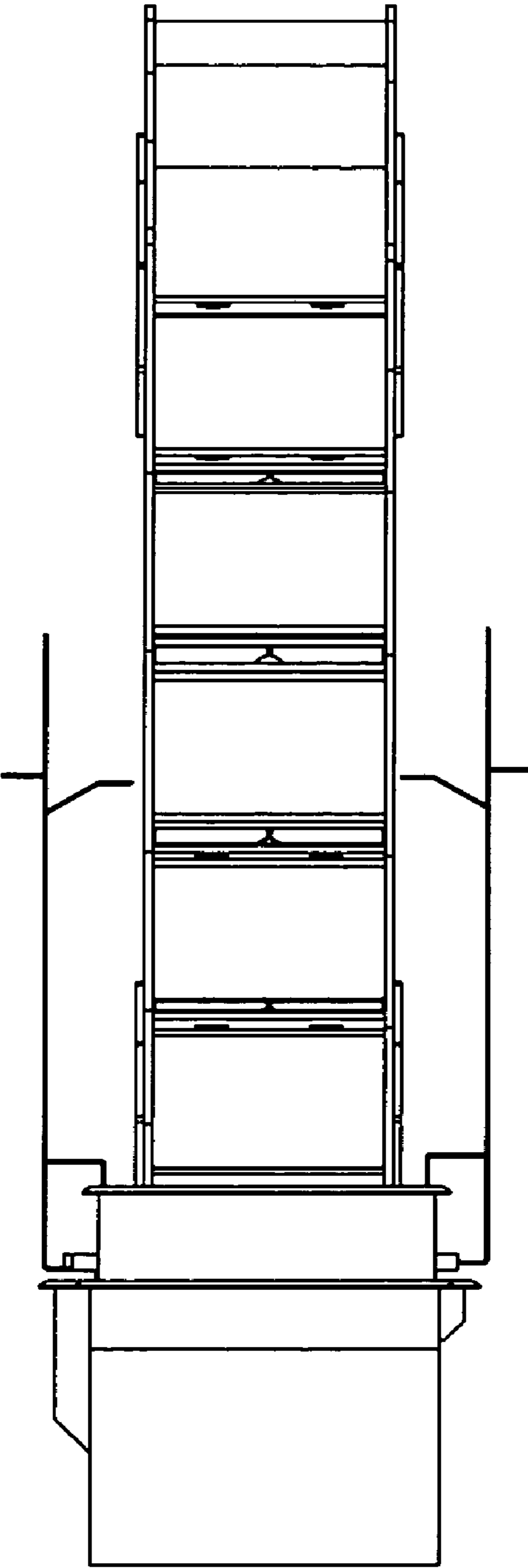


Fig. 3

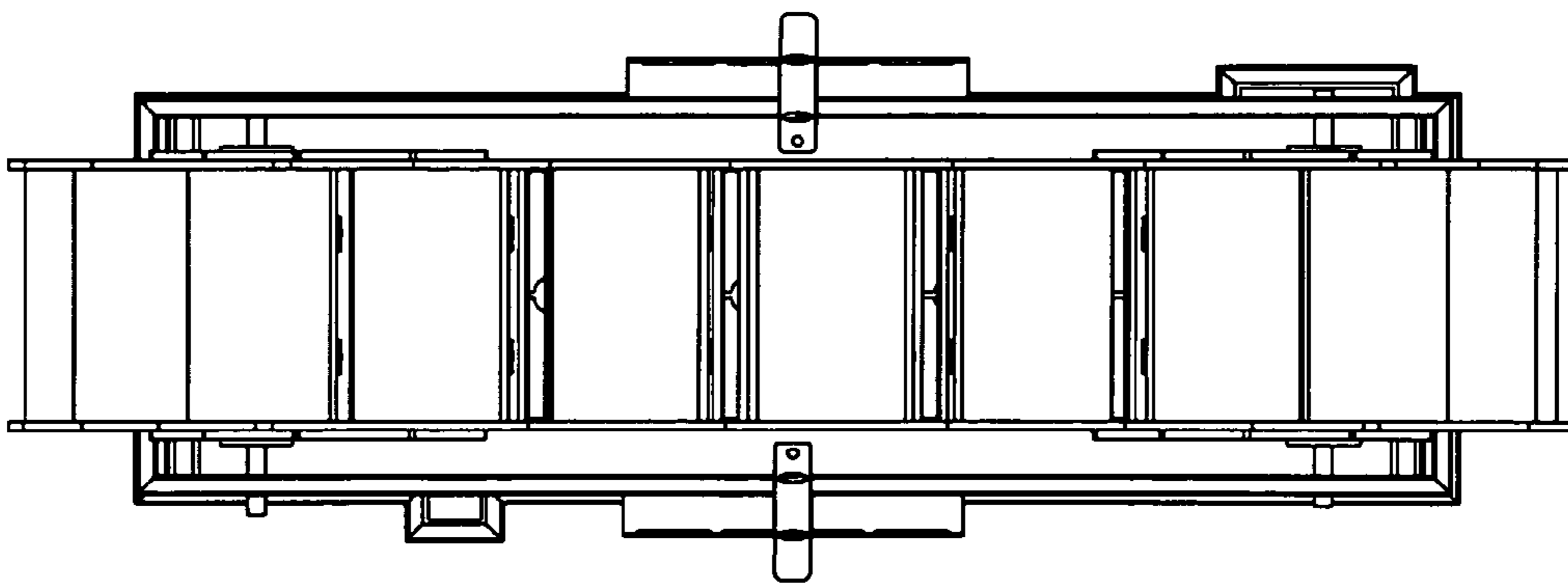


Fig. 4

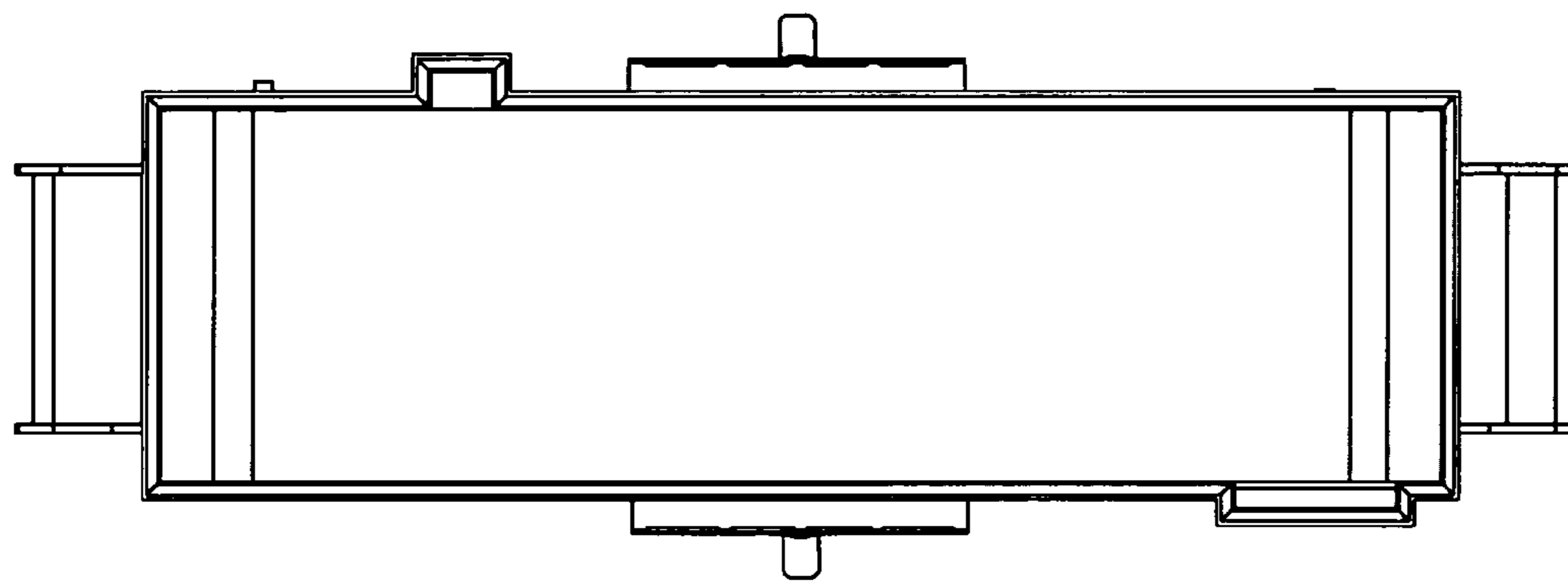


Fig. 5

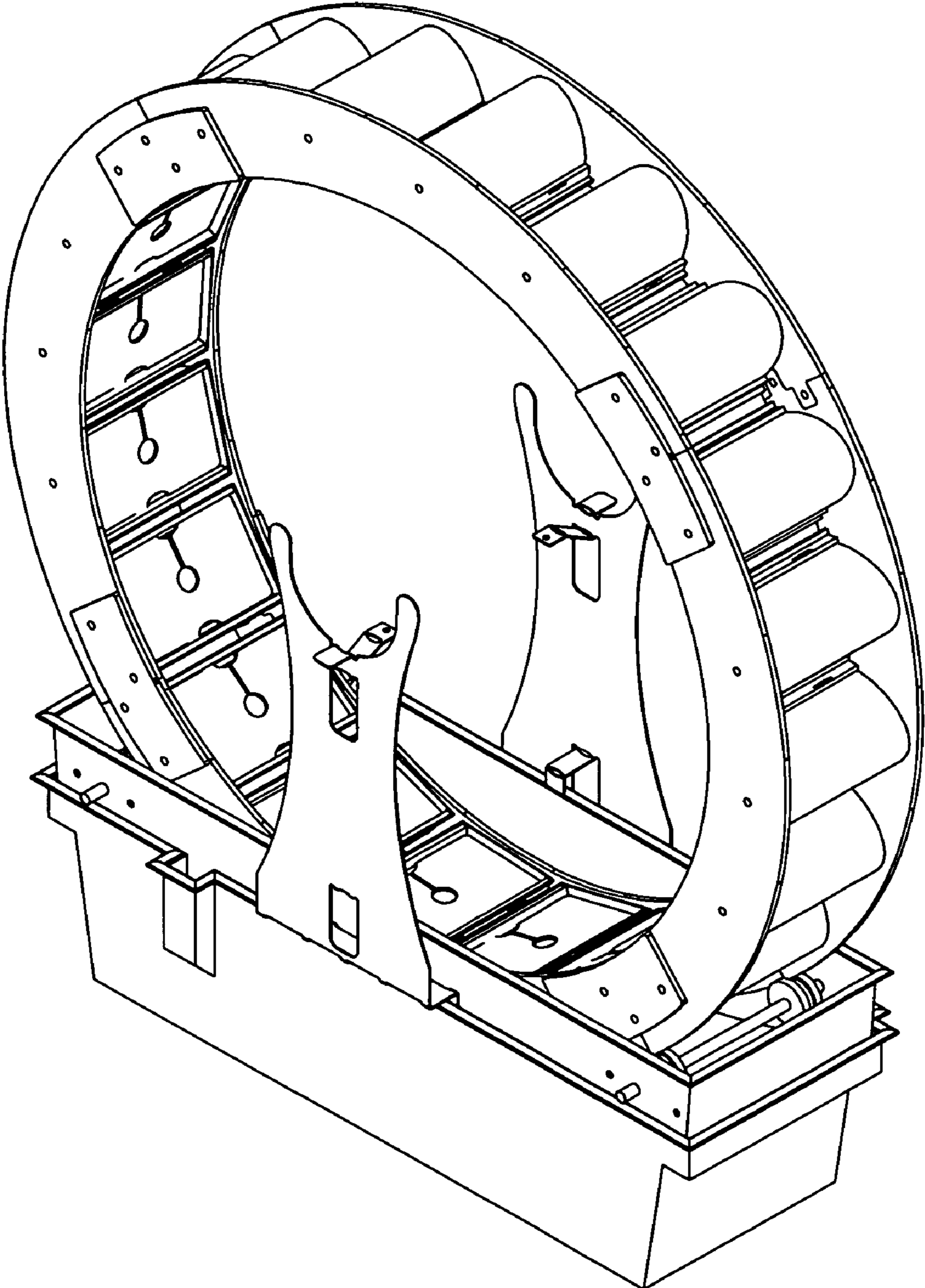


Fig. 6