



US00D658219S

(12) **United States Design Patent**
Coryell et al.

(10) **Patent No.:** **US D658,219 S**
(45) **Date of Patent:** **** Apr. 24, 2012**

(54) **CIRCLE CUTTING ATTACHMENT FOR TORCH**

(76) Inventors: **Randy E. Coryell**, Fall Creek, OR (US);
John J. Jensen, Eugene, OR (US)

(**) Term: **14 Years**

(21) Appl. No.: **29/374,778**

(22) Filed: **Oct. 3, 2011**

(51) **LOC (9) Cl.** **15-09**

(52) **U.S. Cl.** **D15/144**

(58) **Field of Classification Search** D15/144,
D15/144.1, 144.2; 28/199; 29/402.13; 148/196,
148/201; 228/170, 191; 266/48, 54, 56,
266/62, 66, 68, 70, 71, 72, 76
See application file for complete search history.

4,283,043	A *	8/1981	Kalian	266/66
4,411,410	A *	10/1983	Sumner	266/54
4,434,015	A *	2/1984	Dyson	148/196
4,455,015	A *	6/1984	Larikka	266/54
4,456,228	A *	6/1984	Cable et al.	266/70
4,621,792	A *	11/1986	Thurston	266/70
5,040,299	A *	8/1991	Hwang	33/27.03
5,360,201	A *	11/1994	Balentine	266/70
5,511,765	A *	4/1996	Shippen	266/70
5,575,971	A *	11/1996	Bond	266/66
5,804,133	A *	9/1998	Denton	266/66
6,022,506	A *	2/2000	Simmons	266/54
6,391,248	B1	5/2002	Coryell et al.		

* cited by examiner

Primary Examiner — Patricia Palasik

(74) *Attorney, Agent, or Firm* — Robert E. Howard

(57) **CLAIM**

The ornamental design for a circle cutting attachment for torch, as shown and described.

DESCRIPTION

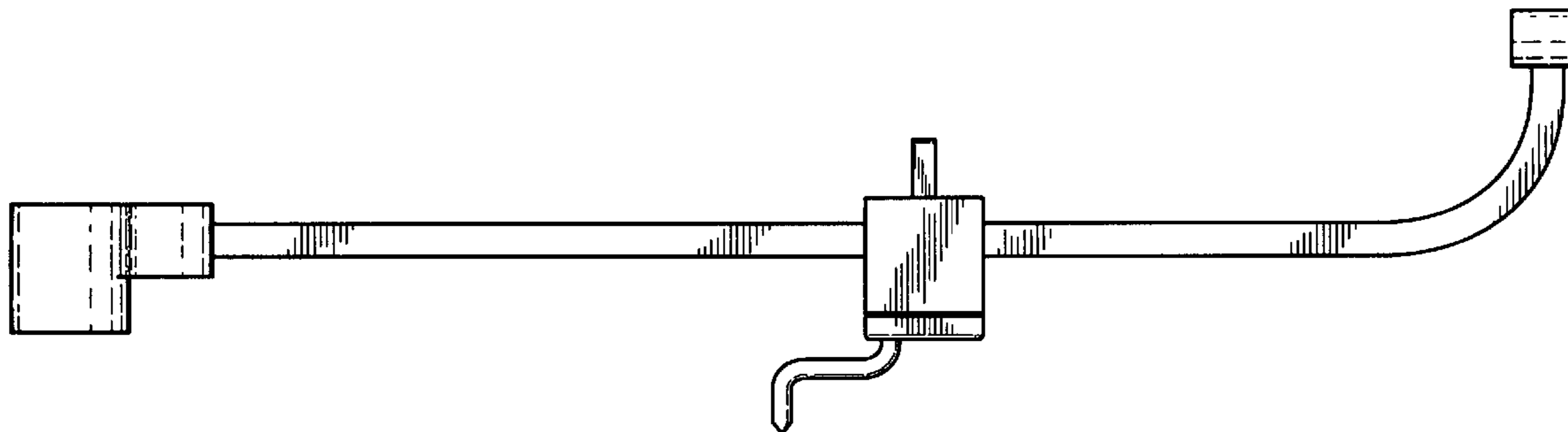
FIG. 1 is a left side view of the circle cutting attachment for torch of the present invention;
FIG. 2 is a right side view thereof;
FIG. 3 is a top view thereof;
FIG. 4 is a bottom view thereof;
FIG. 5 is a front view thereof; and,
FIG. 6 is a rear view thereof.

1 Claim, 2 Drawing Sheets

(56) **References Cited**

U.S. PATENT DOCUMENTS

2,286,664	A *	6/1942	Anderson	33/27.03
2,743,101	A *	4/1956	Clark	266/70
3,547,424	A *	12/1970	Brown	266/70
3,804,391	A *	4/1974	Case	266/70
4,021,025	A *	5/1977	Frame	266/58
4,081,179	A *	3/1978	Frame	266/70
4,157,814	A *	6/1979	Miller	266/70
4,173,333	A *	11/1979	Wise	266/66
4,256,288	A *	3/1981	Rojas	266/70



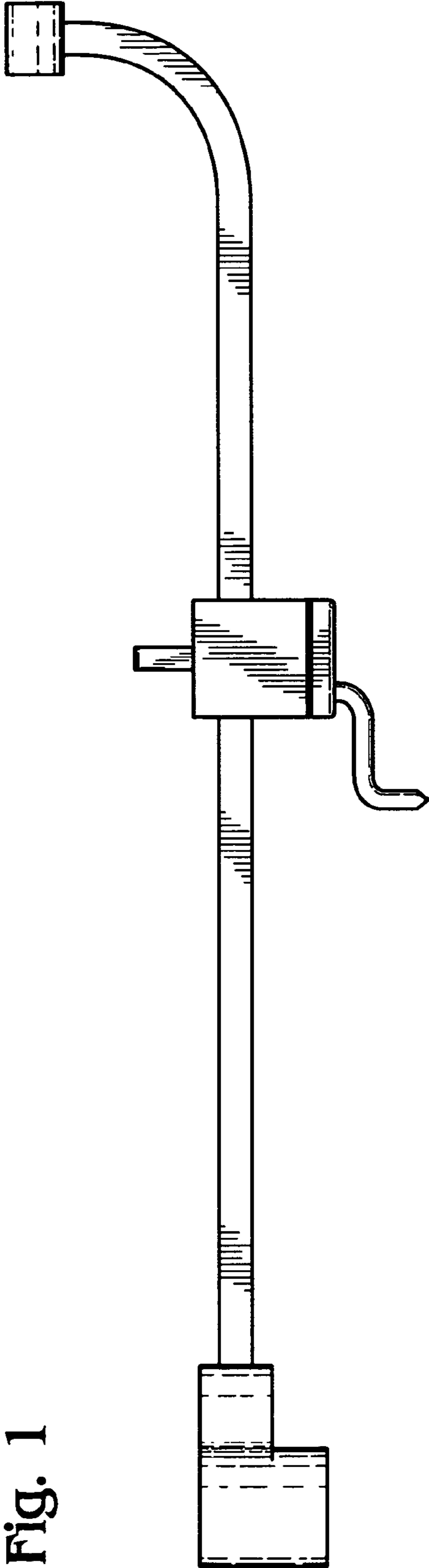


Fig. 1

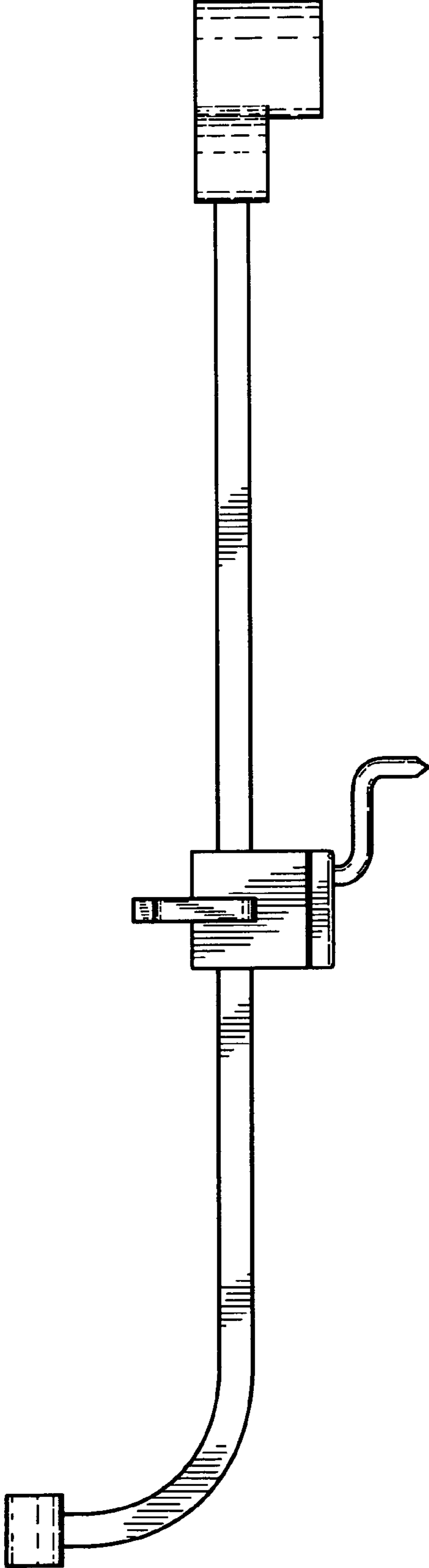


Fig. 2

Fig. 3

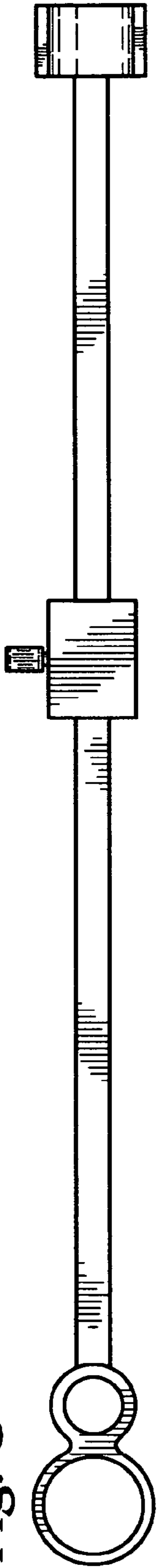


Fig. 4

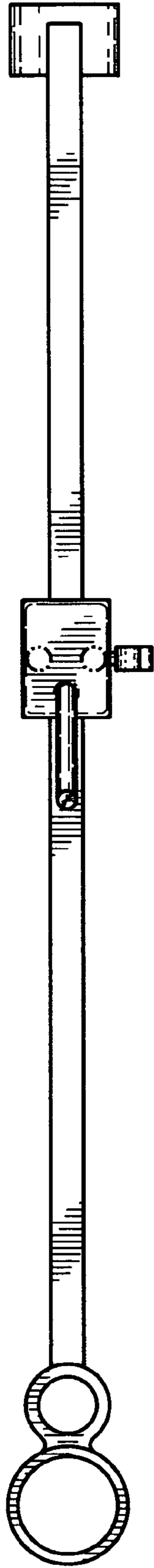


Fig. 5

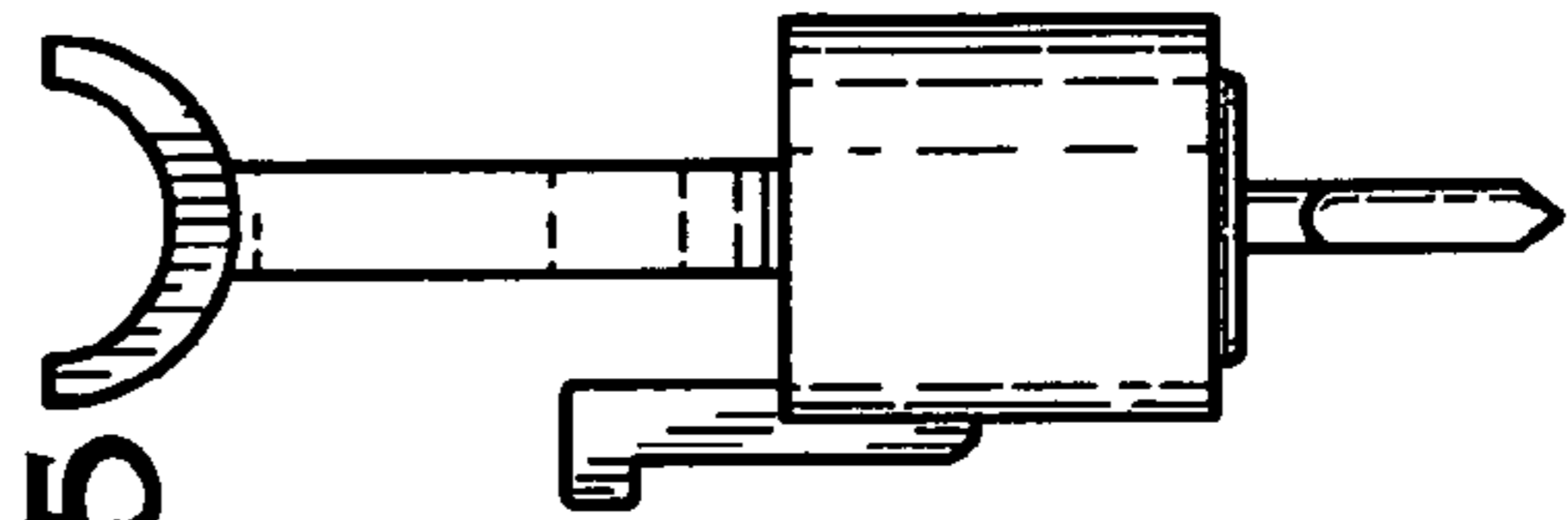


Fig. 6

