



US00D658218S

(12) **United States Design Patent**
Morrison et al.

(10) **Patent No.:** **US D658,218 S**

(45) **Date of Patent:** **** Apr. 24, 2012**

(54) **ROUND CUTTING INSERT WITH REVERSE ANTI-ROTATION FEATURE**

(75) Inventors: **Lewis Ray Morrison**, Latrobe, PA (US);
Kumar Reddy Mylavaram Nikhilesh,
Bangalore (IN); **Suresh Mali**, Bangalore
(IN)

(73) Assignee: **Kennametal Inc.**, Latrobe, PA (US)

(**) Term: **14 Years**

(21) Appl. No.: **29/388,319**

(22) Filed: **Mar. 28, 2011**

(51) **LOC (9) Cl.** **15-09**

(52) **U.S. Cl.** **D15/139**

(58) **Field of Classification Search** D15/138,
D15/139; 407/42, 112-119

See application file for complete search history.

(56) **References Cited**

U.S. PATENT DOCUMENTS

3,629,919	A	12/1971	Trevarrow, Jr.
4,812,087	A	3/1989	Stashko
5,046,899	A	9/1991	Nishi
D363,727	S	10/1995	DeRoche
5,934,844	A	8/1999	Woolley
D416,917	S	11/1999	Xie et al.
6,050,751	A	4/2000	Hellstrom
6,152,658	A	11/2000	Satran et al.
D442,193	S	5/2001	Isaksson
6,234,724	B1	5/2001	Satran et al.
6,238,133	B1	5/2001	DeRoche et al.
6,508,612	B1	1/2003	Baca
6,579,042	B1	6/2003	Shiraiwa
D477,004	S	7/2003	Arvidsson
6,607,335	B2	8/2003	Morgulis
6,926,472	B2	8/2005	Arvidsson
6,948,889	B2	9/2005	Arvidsson
7,021,871	B2	4/2006	Arvidsson et al.

D523,039	S	6/2006	Niebauer et al.
7,121,771	B2	10/2006	Englund
7,168,895	B2	1/2007	Koskinen et al.
7,381,015	B2	6/2008	Jonsson
7,390,149	B2	6/2008	Wihlborg
7,458,753	B1	12/2008	Niebauer et al.
7,476,061	B2	1/2009	Edler
7,578,639	B2	8/2009	Wiman et al.
7,604,441	B2	10/2009	Bhagath
7,607,868	B2	10/2009	Nogge
7,722,297	B2	5/2010	Dufour et al.

(Continued)

FOREIGN PATENT DOCUMENTS

EP 0599393 A1 6/1994

(Continued)

Primary Examiner — Patricia Palasik

(74) *Attorney, Agent, or Firm* — Larry R. Meenan

(57) **CLAIM**

We claim the ornamental design for a round cutting insert with reverse anti-rotation feature, as shown and described.

DESCRIPTION

FIG. 1 is an isometric view from above of a round cutting insert showing our new design;

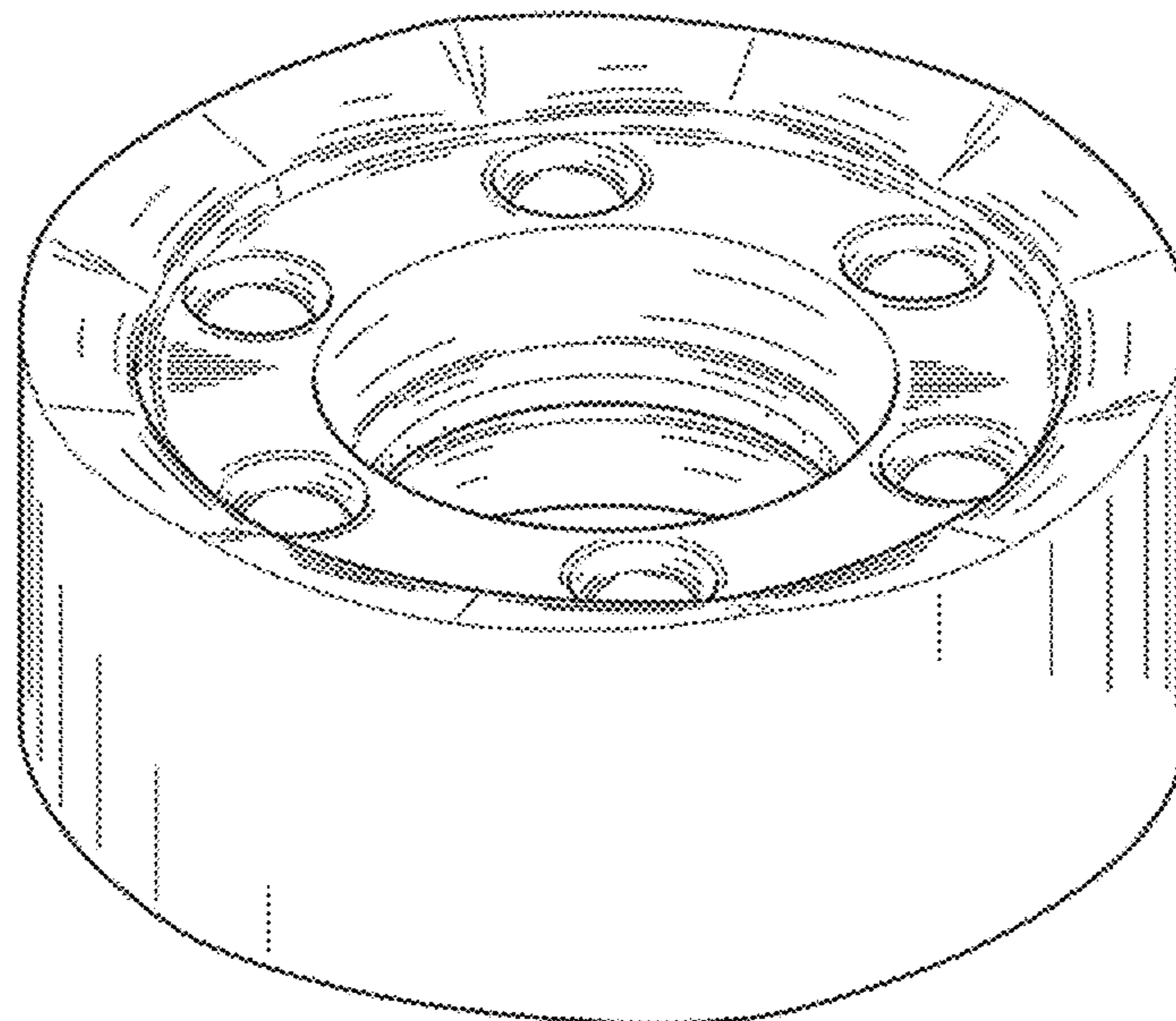
FIG. 2 is a front view of the round cutting insert with reverse anti-rotation feature of FIG. 1, the rear view of the cutting insert being identical to the front view;

FIG. 3 is a right side view of the round cutting insert with reverse anti-rotation feature of FIG. 1, the left side view being identical to the right side view; and,

FIG. 4 is a top view of the cutting insert of FIG. 1, the bottom view being identical to the top view.

The broken line showings of FIGS. 1-4 are included from the purposes of illustrating portions of the cutting insert and form no part of the claimed design.

1 Claim, 3 Drawing Sheets



US D658,218 S

Page 2

U.S. PATENT DOCUMENTS

7,785,045 B2 8/2010 Viol
D638,452 S * 5/2011 Morrison et al. D15/139
D640,717 S * 6/2011 Morrison et al. D15/139
2005/0152754 A1 7/2005 Wiman
2005/0244233 A1 11/2005 Jonsson
2008/0056831 A1 3/2008 Wiman
2008/0317558 A1 12/2008 Niebauer et al.
2009/0290946 A1 11/2009 Zastrozynski

2010/0034602 A1 2/2010 Sung et al.
2010/0158620 A1 6/2010 Spitzenberger et al.
2010/0239379 A1 9/2010 Choi et al.
2011/0116878 A1* 5/2011 Ebert et al. 407/103

FOREIGN PATENT DOCUMENTS

EP 1535681 A1 6/2005
WO 2010017859 A1 2/2010

* cited by examiner

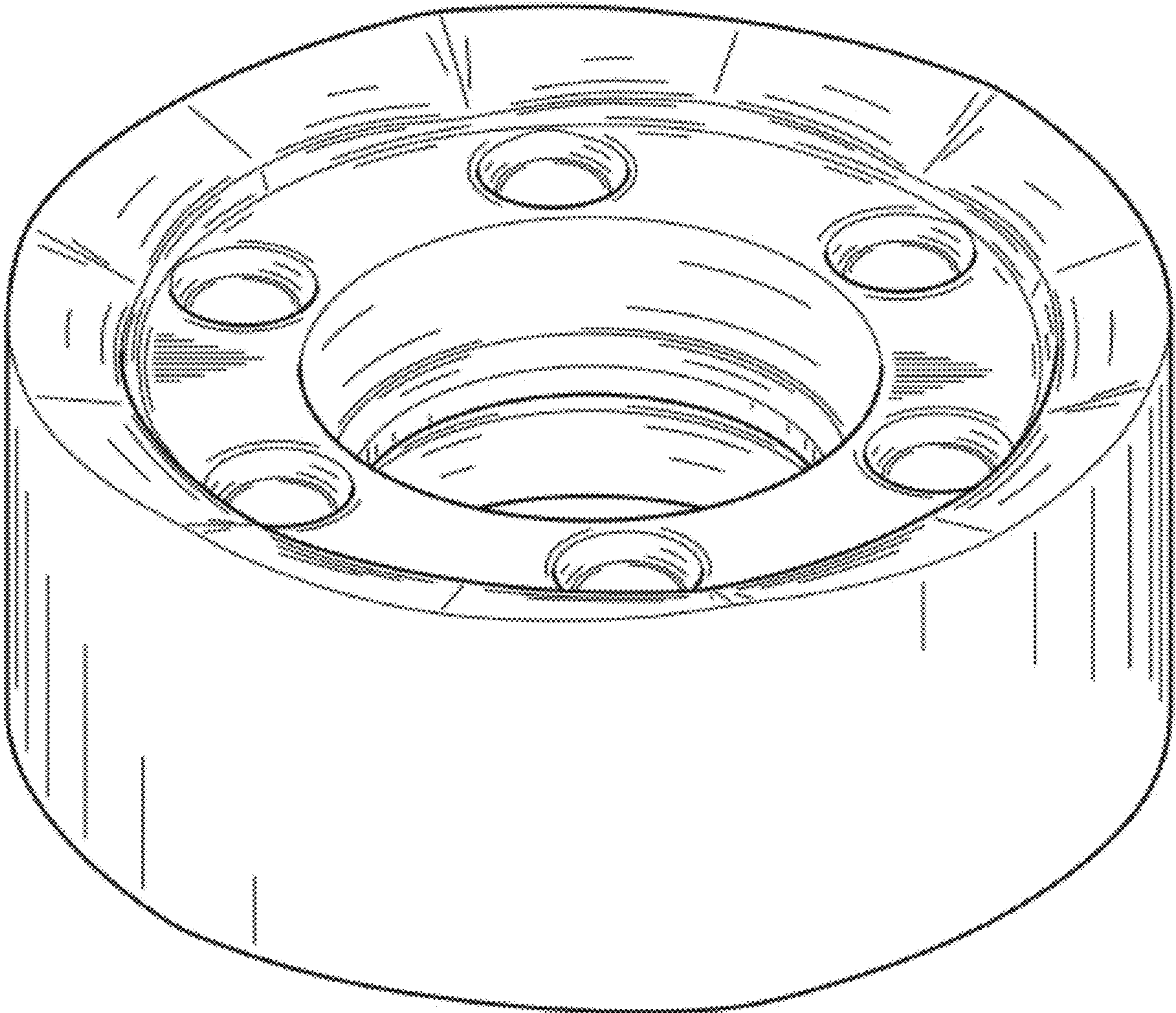


FIG. 1

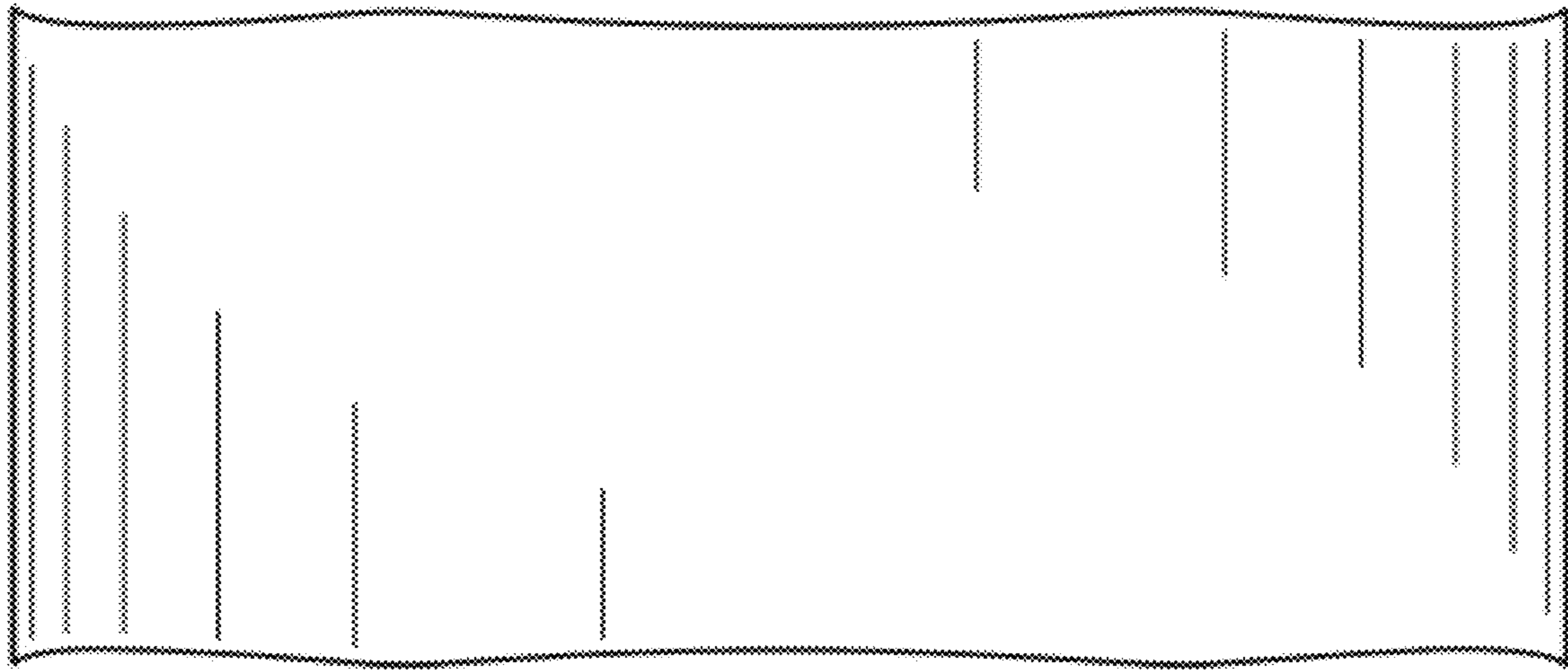


FIG. 2

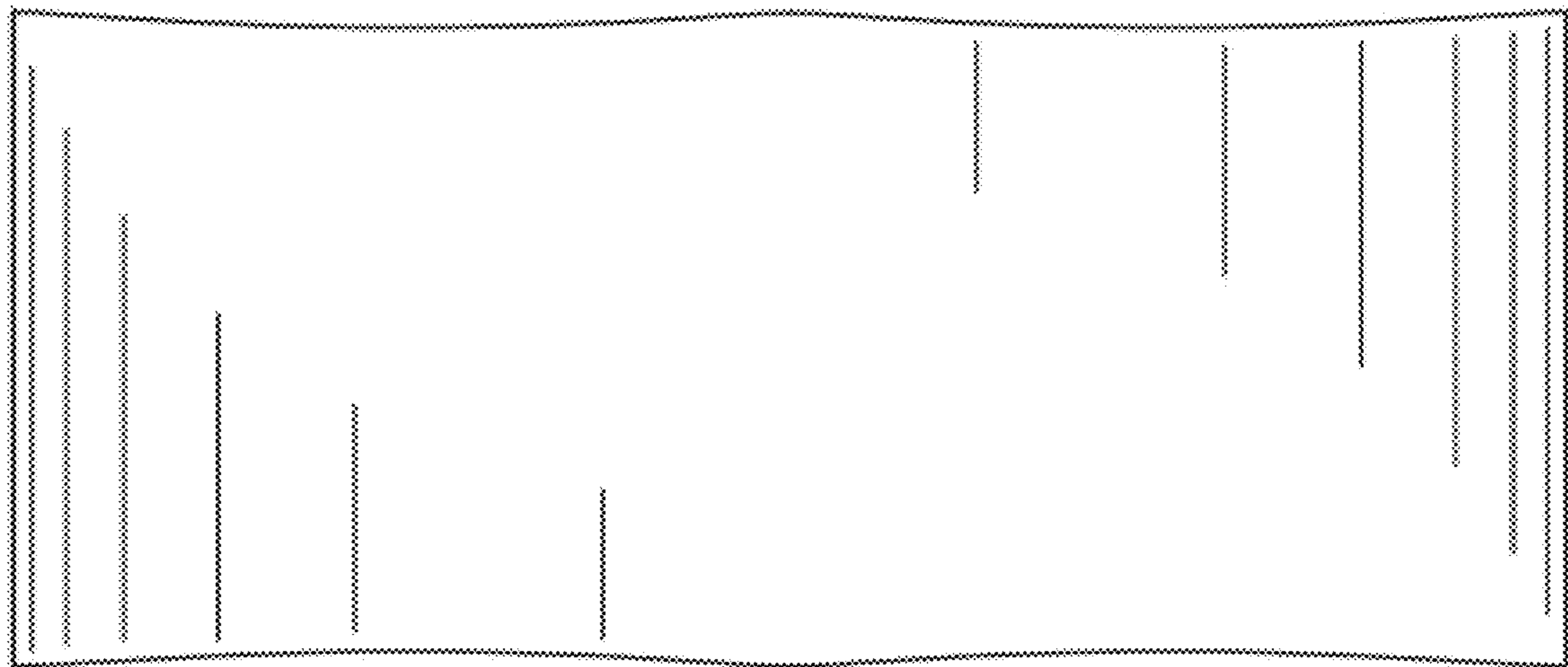


FIG. 3

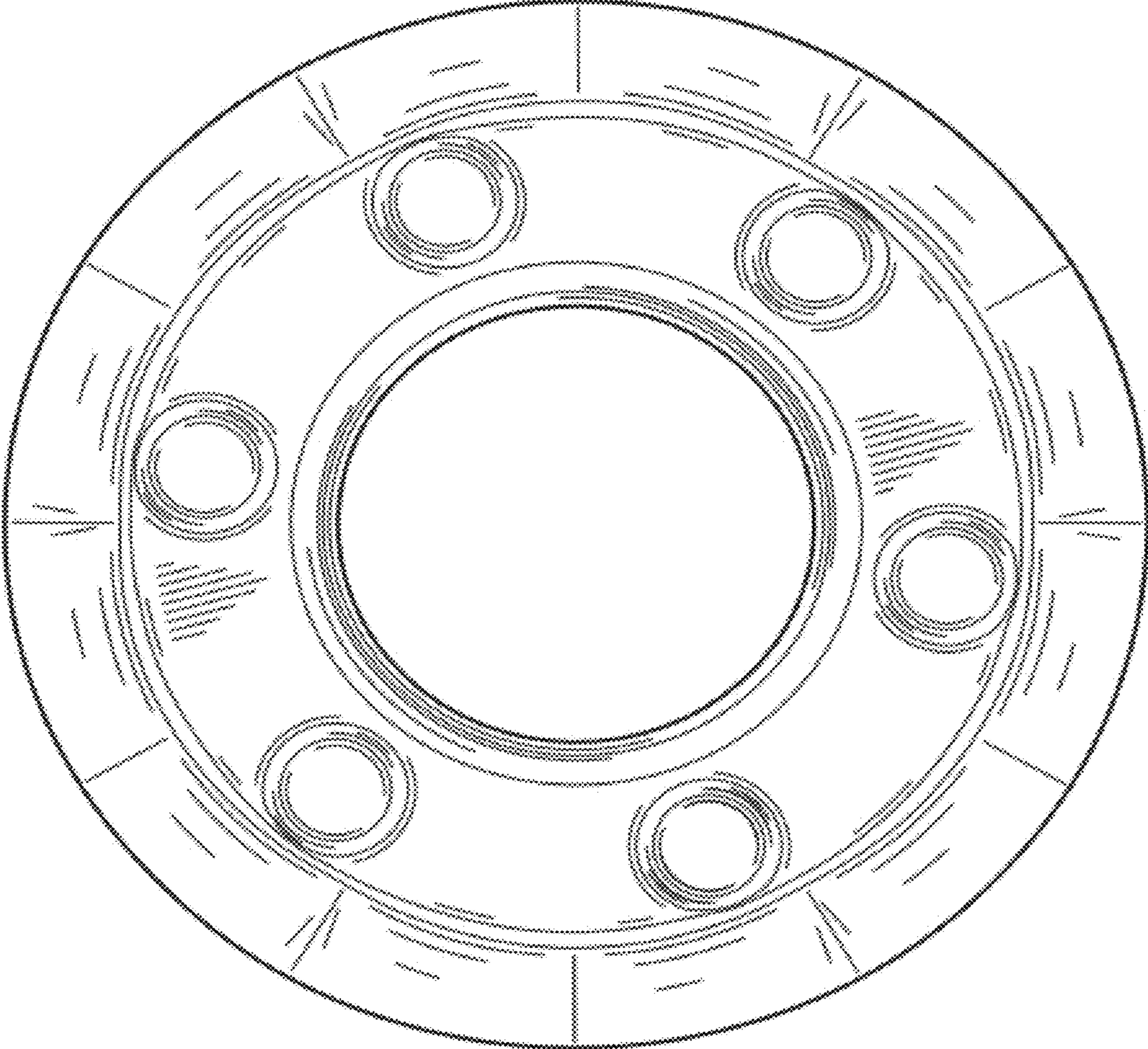


FIG. 4

UNITED STATES PATENT AND TRADEMARK OFFICE
CERTIFICATE OF CORRECTION

PATENT NO. : D658,218 S
APPLICATION NO. : 29/388319
DATED : April 24, 2012
INVENTOR(S) : Lewis Ray Morrison et al.

Page 1 of 1

It is certified that error appears in the above-identified patent and that said Letters Patent is hereby corrected as shown below:

On the Title Page, in Item (57), under “DESCRIPTION”, in Column 2, Line 9, delete
“FIG. 4 is a top view of the cutting insert of FIG. 1,” and insert -- FIG. 4 is a top view of the round
cutting insert with reverse anti-rotation feature of FIG. 1, --, therefor.

On the Title Page, in Item (57), under “DESCRIPTION”, in Column 2, Line 11, delete “fro” and insert
-- for --, therefor.

Signed and Sealed this
Twenty-third Day of April, 2013



Teresa Stanek Rea
Acting Director of the United States Patent and Trademark Office